

STRUCTURE                      Silicon Monolithic Integrated Circuit  
 PRODUCT SERIES                Voltage Detector IC with Adjustable Output Delay  
 TYPE                                **BD52XXFVE Series**  
 FEATURES                        •Detection voltage lineup :2.3~6.0V  
    •High precision detection voltage : ±1.0%

○ABSOLUTE MAXIMUM RATINGS (Ta=25°C)

Parameter	Symbol	Limit	Unit
Supply Voltage ※1	VDD-GND	-0.3 to +10	V
Output Voltage ※1 Nch Open Drain Output	VOUT	GND-0.3 to +10	V
Input Voltage of CT	VCT	GND-0.3 to VDD+0.3	V
Power Dissipation ※2	Pd	210	mW
Operating Temperature ※1	Topr	-40 to +105	°C
Storage Temperature Range	Tstg	-55 to +125	°C
Junction Temperature	Tjmax	125	°C

※1 Do not exceed Pd.

※2 Mounted on 70mm × 70mm × 1.6mm Glass Epoxy PCB, Pd derated at 2.1mW/°C for temperature above Ta=25°C

NOTE : The product described in this specification is a strategic product (and/or service) subject to COCOM regulations.  
 It should not be exported without authorization from the appropriate government.

NOTE : This product is not designed for protection against radioactive rays.

Status of this document

The Japanese version of this document is the formal specification.

A customer may use this translation version only for a reference to help reading the formal version.

If there are any differences in translation version of this document, formal version takes priority.

OELECTRICAL CHARACTERISTICS (Unless Otherwise Specified Ta=-40 to 105°C)

Parameter	Symbol	Condition	Limit			Unit
			Min.	Typ.	Max.	
Detection Voltage	V <sub>DET</sub>	V <sub>DD</sub> =H→L, R <sub>L</sub> =470kΩ ※3	V <sub>DET(T)</sub> × 0.99	V <sub>DET(T)</sub>	V <sub>DET(T)</sub> × 1.01	V
Circuit Current when ON	I <sub>DD1</sub>	V <sub>DD</sub> =V <sub>DET</sub> -0.2V, V <sub>DET</sub> =2.3-3.1V	-	0.80	2.40	μA
		V <sub>DET</sub> =3.2-4.2V	-	0.85	2.55	
		V <sub>DET</sub> =4.3-5.2V	-	0.90	2.70	
		V <sub>DET</sub> =5.3-6.0V	-	0.95	2.85	
Circuit Current when OFF	I <sub>DD2</sub>	V <sub>DD</sub> =V <sub>DET</sub> +2.0V, V <sub>DET</sub> =2.3-3.1V	-	0.75	2.25	μA
		V <sub>DET</sub> =3.2-4.2V	-	0.80	2.40	
		V <sub>DET</sub> =4.3-5.2V	-	0.85	2.55	
		V <sub>DET</sub> =5.3-6.0V	-	0.90	2.70	
Operating Voltage Range	V <sub>OPL</sub>	V <sub>OL</sub> ≤ 0.4V, R <sub>L</sub> =470kΩ, Ta=-25~105°C	0.95	-	-	V
		V <sub>OL</sub> ≤ 0.4V, R <sub>L</sub> =470kΩ, Ta=-40~-25°C	1.20	-	-	
'Low' Output Current (Nch)	I <sub>OL</sub>	V <sub>DS</sub> =0.5V V <sub>DD</sub> =1.2V	0.4	1.2	-	mA
		V <sub>DS</sub> =0.5V V <sub>DD</sub> =2.4V	2.0	5.0	-	
Leak Current when OFF	I <sub>leak</sub>	V <sub>DD</sub> =V <sub>DS</sub> =10V ※3	-	-	0.1	μA
CT pin Threshold Voltage	V <sub>CTH</sub>	V <sub>DD</sub> =V <sub>DET</sub> × 1.1, R <sub>L</sub> =470kΩ, V <sub>DET</sub> =2.3-2.6V	V <sub>DD</sub> × 0.30	V <sub>DD</sub> × 0.40	V <sub>DD</sub> × 0.60	V
		V <sub>DD</sub> =V <sub>DET</sub> × 1.1, R <sub>L</sub> =470kΩ, V <sub>DET</sub> =2.7-4.2V	V <sub>DD</sub> × 0.30	V <sub>DD</sub> × 0.45	V <sub>DD</sub> × 0.60	
		V <sub>DD</sub> =V <sub>DET</sub> × 1.1, R <sub>L</sub> =470kΩ, V <sub>DET</sub> =4.3-5.2V	V <sub>DD</sub> × 0.35	V <sub>DD</sub> × 0.50	V <sub>DD</sub> × 0.60	
		V <sub>DD</sub> =V <sub>DET</sub> × 1.1, R <sub>L</sub> =470kΩ, V <sub>DET</sub> =5.3-6.0V	V <sub>DD</sub> × 0.40	V <sub>DD</sub> × 0.50	V <sub>DD</sub> × 0.60	
Output Delay Resistance	R <sub>CT</sub>	V <sub>DD</sub> =V <sub>DET</sub> × 1.1 V <sub>CT</sub> =0.5V ※3	5.5	9	12.5	MΩ
CT pin Output Current	I <sub>CT</sub>	V <sub>CT</sub> =0.1V V <sub>DD</sub> =0.95V ※3	15	40	-	μA
		V <sub>CT</sub> =0.5V V <sub>DD</sub> =1.5V	150	240	-	
Detection Voltage Temperature coefficient	V <sub>DET</sub> /ΔT	Ta=-40°C to 105°C	-	±100	±360	ppm/°C
Hysteresis Voltage	ΔV <sub>DET</sub>	R <sub>L</sub> =470kΩ, V <sub>DD</sub> =L→H→L	V <sub>DET</sub> × 0.03	V <sub>DET</sub> × 0.05	V <sub>DET</sub> × 0.08	V

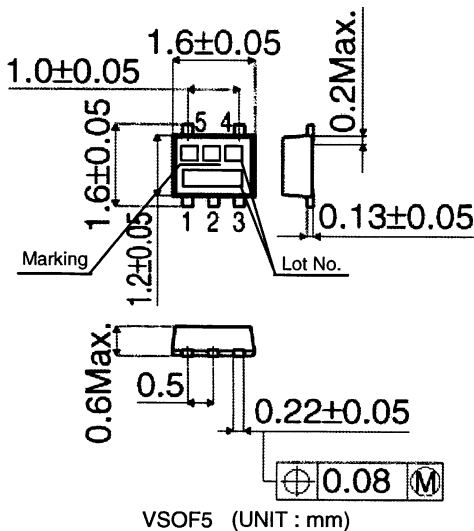
V<sub>DET(T)</sub> : Standard Detection Voltage (2.3V to 6.0V, 0.1V step)

R<sub>L</sub> : Pull-up resistor to be connected between V<sub>OUT</sub> and power supply.

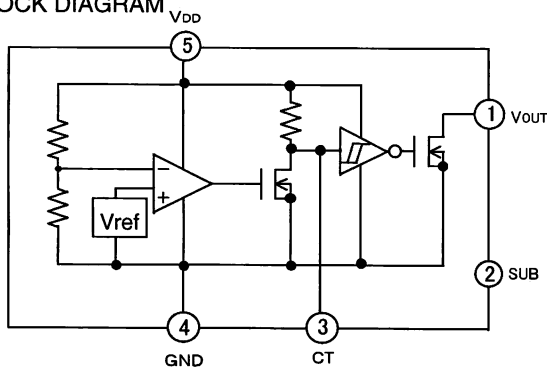
Designed Guarantee. (Outgoing inspection is not done on all products.)

※3 Guarantee is Ta=25°C.

OPHYSICAL DIMENSIONS, MARKING



**OBLOCK DIAGRAM**



**OPIN NO. , PIN NAME**

Pin Number	Pin Name
1	VOUT
2	SUB
3	CT
4	GND
5	VDD

NOTE: Substrate Pin should be connected with GND.

※ Please refer to Technical note concerning application circuit, and etc.

**OSTANDARD DETECTION VOLTAGE AND MARKING**

**BD52XXFVE Series**

Type	Standard Detection Voltage [V]	Marking	Type	Standard Detection Voltage [V]	Marking
BD5260	6.000	PW	BD5241	4.100	PB
BD5259	5.900	PV	BD5240	4.000	PA
BD5258	5.800	PU	BD5239	3.900	MV
BD5257	5.700	PT	BD5238	3.800	MU
BD5256	5.600	PS	BD5237	3.700	MT
BD5255	5.500	PR	BD5236	3.600	MS
BD5254	5.400	PQ	BD5235	3.500	MR
BD5253	5.300	PP	BD5234	3.400	MQ
BD5252	5.200	PN	BD5233	3.300	MP
BD5251	5.100	PM	BD5232	3.200	MN
BD5250	5.000	PL	BD5231	3.100	MM
BD5249	4.900	PK	BD5230	3.000	ML
BD5248	4.800	PJ	BD5229	2.900	MK
BD5247	4.700	PH	BD5228	2.800	MJ
BD5246	4.600	PG	BD5227	2.700	MH
BD5245	4.500	PF	BD5226	2.600	MG
BD5244	4.400	PE	BD5225	2.500	MF
BD5243	4.300	PD	BD5224	2.400	ME
BD5242	4.200	PC	BD5223	2.300	MD

## ONOTES FOR USE

## 1 . Absolute maximum range

Absolute Maximum Ratings are those values beyond which the life of a device may be destroyed. We cannot be defined the failure mode, such as short mode or open mode. Therefore a physical security countermeasure, like fuse, is to be given when a specific mode to be beyond absolute maximum ratings is considered.

## 2 . GND potential

GND terminal should be a lowest voltage potential every state.

Please make sure all pins which are over ground even if include transient feature.

## 3 . Electrical Characteristics

Be sure to check the electrical characteristics, that is one the tentative specification will be changed by temperature, supply voltage, and external circuit.

## 4 . Bypass Capacitor for Noise Rejection

Please put into the to reject noise between VDD pin and GND. If extremely big capacitor is used, transient response might be late. Please confirm sufficiently for the point.

## 5 . Short Circuit between Terminal and Soldering

Don't short-circuit between Output pin and VDD pin, Output pin and GND pin, or VDD pin and GND pin. When soldering the IC on circuit board, please be unusually cautious about the orientation and the position of the IC. When the orientation is mistaken the IC may be destroyed.

## 6 . Electromagnetic Field

Mal-function may happen when the device is used in the strong electromagnetic field.

## 7 . The VDD line impedance might cause oscillation because of the detection current.

## 8 . A VDD -GND capacitor (as close connection as possible) should be used in high VDD line impedance condition.

9 . BD52XXFVE has extremely high impedance terminals. Small leak current due to the uncleanness of PCB surface might cause unexpected operations. Application values in these conditions should be selected carefully. If  $10\text{M}\Omega$  leakage is assumed between the CT terminal and the GND terminal,  $1\text{M}\Omega$  connection between the CT terminal and the VDD terminal would be recommended. Also, if the leakage is assumed between the VOUT terminal and the GND terminal, the pull up resistor should be less than 1/10 of the assumed leak resistance.

The value of  $R_{CT}$  depends on the external resistor that is connected to CT terminal, so please consider the delay time that is decided by  $\tau \times R_{CT} \times C_{CT}$  changes.

## 10. External parameters

The recommended parameter range for  $C_T$  is  $10\text{pF} \sim 0.1 \mu\text{F}$ . For  $R_L$ , the recommended range is  $50\text{k}\Omega \sim 1\text{M}\Omega$ .

When attempting to operate beyond these parameters, be sure to verify the actual operation before continuing use.

## 11. CT pin discharge

Due to the capabilities of the CT pin discharge transistor, the CT pin may not completely discharge when a short input pulse is applied, and in this case the delay time may not be controlled. Please verify the actual operation.

## 12. Power on reset operation

Please note that the power on reset output varies with the  $V_{cc}$  rise up time.

Please verify the actual operation.

### Notes

- No technical content pages of this document may be reproduced in any form or transmitted by any means without prior permission of ROHM CO.,LTD.
- The contents described herein are subject to change without notice. The specifications for the product described in this document are for reference only. Upon actual use, therefore, please request that specifications to be separately delivered.
- Application circuit diagrams and circuit constants contained herein are shown as examples of standard use and operation. Please pay careful attention to the peripheral conditions when designing circuits and deciding upon circuit constants in the set.
- Any data, including, but not limited to application circuit diagrams information, described herein are intended only as illustrations of such devices and not as the specifications for such devices. ROHM CO.,LTD. disclaims any warranty that any use of such devices shall be free from infringement of any third party's intellectual property rights or other proprietary rights, and further, assumes no liability of whatsoever nature in the event of any such infringement, or arising from or connected with or related to the use of such devices.
- Upon the sale of any such devices, other than for buyer's right to use such devices itself, resell or otherwise dispose of the same, no express or implied right or license to practice or commercially exploit any intellectual property rights or other proprietary rights owned or controlled by
- ROHM CO., LTD. is granted to any such buyer.
- Products listed in this document are no antiradiation design.

The products listed in this document are designed to be used with ordinary electronic equipment or devices (such as audio visual equipment, office-automation equipment, communications devices, electrical appliances and electronic toys).

Should you intend to use these products with equipment or devices which require an extremely high level of reliability and the malfunction of which would directly endanger human life (such as medical instruments, transportation equipment, aerospace machinery, nuclear-reactor controllers, fuel controllers and other safety devices), please be sure to consult with our sales representative in advance.

#### About Export Control Order in Japan

Products described herein are the objects of controlled goods in Annex 1 (Item 16) of Export Trade Control Order in Japan.

In case of export from Japan, please confirm if it applies to "objective" criteria or an "informed" (by MITI clause) on the basis of "catch all controls for Non-Proliferation of Weapons of Mass Destruction.

Thank you for your accessing to ROHM product informations.  
More detail product informations and catalogs are available,  
please contact your nearest sales office.

Please contact our sales offices for details ;

U.S.A / San Diego	TEL : +1(858)625-3630	FAX : +1(858)625-3670
Atlanta	TEL : +1(770)754-5972	FAX : +1(770)754-0691
Dallas	TEL : +1(972)312-8818	FAX : +1(972)312-0330
Germany / Dusseldorf	TEL : +49(2154)9210	FAX : +49(2154)921400
United Kingdom / London	TEL : +44(1)908-282-666	FAX : +44(1)908-282-528
France / Paris	TEL : +33(0)1 56 97 30 60	FAX : +33(0) 1 56 97 30 80
China / Hong Kong	TEL : +852(2)740-6262	FAX : +852(2)375-8971
Shanghai	TEL : +86(21)6279-2727	FAX : +86(21)6247-2066
Dilian	TEL : +86(411)8230-8549	FAX : +86(411)8230-8537
Beijing	TEL : +86(10)8525-2483	FAX : +86(10)8525-2489
Taiwan / Taipei	TEL : +866(2)2500-6956	FAX : +866(2)2503-2869
Korea / Seoul	TEL : +82(2)8182-700	FAX : +82(2)8182-715
Singapore	TEL : +65-6332-2322	FAX : +65-6332-5662
Malaysia / Kuala Lumpur	TEL : +60(3)7958-8355	FAX : +60(3)7958-8377
Philippines / Manila	TEL : +63(2)807-6872	FAX : +63(2)809-1422
Thailand / Bangkok	TEL : +66(2)254-4890	FAX : +66(2)256-6334

Japan /  
(Internal Sales)

Tokyo	2-1-1, Yaesu, Chuo-ku, Tokyo 104-0082	TEL : +81(3)5203-0321	FAX : +81(3)5203-0300
Yokohama	2-4-8, Shin Yokohama, Kohoku-ku, Yokohama, Kanagawa 222-8575	TEL : +81(45)476-2131	FAX : +81(45)476-2128
Nagoya	Dainagayo Building 9F 3-28-12, Meieki, Nakamura-ku, Nagoya, Aichi 450-0002	TEL : +81(52)581-8521	FAX : +81(52)561-2173
Kyoto	579-32 Higashi Shiokouji-cho, Karasuma Nishi-iru, Shiokoujidori, Shimogyo-ku, Kyoto 600-8216	TEL : +81(75)311-2121	FAX : +81(75)314-6559

(Contact address for overseas customers in Japan)

Yokohama	TEL : +81(45)476-9270	FAX : +81(045)476-9271
----------	-----------------------	------------------------