

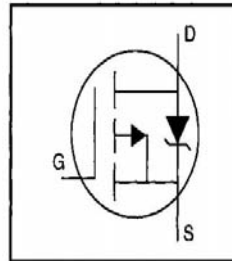
IRFI9520GPbF

- Isolated Package
- High Voltage Isolation= 2.5KV RMS ⑤
- Sink to Lead Creepage Dist.= 4.8mm
- P-Channel
- 175°C Operating Temperature
- Dynamic dv/dt Rating
- Low Thermal Resistance

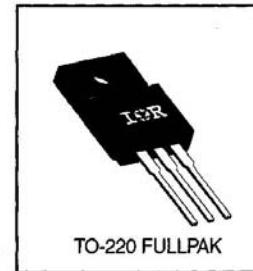
• **Lead-Free Description**

Third Generation HEXFETs from International Rectifier provide the designer with the best combination of fast switching, ruggedized device design, low on-resistance and cost-effectiveness.

The TO-220 Fullpak eliminates the need for additional insulating hardware in commercial-industrial applications. The moulding compound used provides a high isolation capability and a low thermal resistance between the tab and external heatsink. This isolation is equivalent to using a 100 micron mica barrier with standard TO-220 product. The Fullpak is mounted to a heatsink using a single clip or by a single screw fixing.



| |
|---------------------------|
| $V_{DSS} = -100V$ |
| $R_{DS(on)} = 0.60\Omega$ |
| $I_D = -5.2A$ |



Absolute Maximum Ratings

| | Parameter | Max. | Units |
|---------------------------|--|-----------------------|-------|
| $I_D @ T_C = 25^\circ C$ | Continuous Drain Current, $V_{GS} @ -10 V$ | -5.2 | A |
| $I_D @ T_C = 100^\circ C$ | Continuous Drain Current, $V_{GS} @ -10 V$ | -3.6 | |
| I_{DM} | Pulsed Drain Current ① | -21 | |
| $P_D @ T_C = 25^\circ C$ | Power Dissipation | 37 | W |
| | Linear Derating Factor | 0.24 | W/°C |
| V_{GS} | Gate-to-Source Voltage | ± 20 | V |
| E_{AS} | Single Pulse Avalanche Energy ② | 300 | mJ |
| I_{AR} | Avalanche Current ① | -5.2 | A |
| E_{AR} | Repetitive Avalanche Energy ① | 3.7 | mJ |
| dv/dt | Peak Diode Recovery dv/dt ③ | -5.5 | V/ns |
| T_J T_{STG} | Operating Junction and Storage Temperature Range | -55 to +175 | °C |
| | Soldering Temperature, for 10 seconds | 300 (1.6mm from case) | |
| | Mounting Torque, 6-32 or M3 screw | 10 lbf•in (1.1 N•m) | |


Thermal Resistance

| | Parameter | Min. | Typ. | Max. | Units |
|-----------------|---------------------|------|------|------|-------|
| $R_{\theta JC}$ | Junction-to-Case | — | — | 4.1 | °C/W |
| $R_{\theta JA}$ | Junction-to-Ambient | — | — | 65 | |

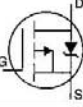
IRFI9520GPbF

International
IR Rectifier

Electrical Characteristics @ $T_J = 25^\circ\text{C}$ (unless otherwise specified)

| | Parameter | Min. | Typ. | Max. | Units | Test Conditions |
|---------------------------------|--------------------------------------|------|-------|------|----------|--|
| $V_{(BR)DSS}$ | Drain-to-Source Breakdown Voltage | -100 | — | — | V | $V_{GS}=0V, I_D=-250\mu A$ |
| $\Delta V_{(BR)DSS}/\Delta T_J$ | Breakdown Voltage Temp. Coefficient | — | -0.10 | — | V/°C | Reference to 25°C , $I_D=-1mA$ |
| $R_{DS(on)}$ | Static Drain-to-Source On-Resistance | — | — | 0.60 | Ω | $V_{GS}=-10V, I_D=-3.1A$ ④ |
| $V_{GS(th)}$ | Gate Threshold Voltage | -2.0 | — | -4.0 | V | $V_{DS}=V_{GS}, I_D=-250\mu A$ |
| g_{fs} | Forward Transconductance | 1.9 | — | — | S | $V_{DS}=-50V, I_D=-3.1A$ ④ |
| I_{DSS} | Drain-to-Source Leakage Current | — | — | -100 | μA | $V_{DS}=-100V, V_{GS}=0V$ |
| | | — | — | -500 | | $V_{DS}=-80V, V_{GS}=0V, T_J=150^\circ\text{C}$ |
| I_{GSS} | Gate-to-Source Forward Leakage | — | — | -100 | nA | $V_{GS}=-20V$ |
| | Gate-to-Source Reverse Leakage | — | — | 100 | | $V_{GS}=20V$ |
| Q_g | Total Gate Charge | — | — | 18 | nC | $I_D=-6.8A$ |
| Q_{gs} | Gate-to-Source Charge | — | — | 3.0 | | $V_{DS}=-80V$ |
| Q_{gd} | Gate-to-Drain ("Miller") Charge | — | — | 9.0 | | $V_{GS}=-10V$ See Fig. 6 and 13 ④ |
| $t_{d(on)}$ | Turn-On Delay Time | — | 9.6 | — | ns | $V_{DD}=-50V$ |
| t_r | Rise Time | — | 29 | — | | $I_D=-6.8A$ |
| $t_{d(off)}$ | Turn-Off Delay Time | — | 21 | — | | $R_G=18\Omega$ |
| t_f | Fall Time | — | 25 | — | | $R_D=7.1\Omega$ See Figure 10 ④ |
| L_D | Internal Drain Inductance | — | 4.5 | — | nH | Between lead, 6 mm (0.25in.) from package and center of die contact  |
| L_S | Internal Source Inductance | — | 7.5 | — | | |
| C_{iss} | Input Capacitance | — | 390 | — | pF | $V_{GS}=0V$ |
| C_{oss} | Output Capacitance | — | 170 | — | | $V_{DS}=-25V$ |
| C_{rss} | Reverse Transfer Capacitance | — | 45 | — | | $f=1.0MHz$ See Figure 5 |
| C | Drain to Sink Capacitance | — | 12 | — | | $f=1.0MHz$ |

Source-Drain Ratings and Characteristics

| | Parameter | Min. | Typ. | Max. | Units | Test Conditions |
|----------|--|---|------|------|---------|--|
| I_S | Continuous Source Current (Body Diode) | — | — | -5.2 | A | MOSFET symbol showing the integral reverse p-n junction diode.  |
| I_{SM} | Pulsed Source Current (Body Diode) ① | — | — | -21 | | |
| V_{SD} | Diode Forward Voltage | — | — | -6.3 | V | $T_J=25^\circ\text{C}, I_S=-5.2A, V_{GS}=0V$ ④ |
| t_{rr} | Reverse Recovery Time | — | 100 | 200 | ns | $T_J=25^\circ\text{C}, I_F=-6.8A$ |
| Q_{rr} | Reverse Recovery Charge | — | 0.33 | 0.66 | μC | $di/dt=100A/\mu s$ ④ |
| t_{on} | Forward Turn-On Time | Intrinsic turn-on time is negligible (turn-on is dominated by L_S+L_D) | | | | |

Notes:

- ① Repetitive rating; pulse width limited by max. junction temperature (See Figure 11)
- ② $V_{DD}=-25V$, starting $T_J=25^\circ\text{C}$, $L=16mH$, $R_G=25\Omega$, $I_{AS}=-5.2A$ (See Figure 12)
- ③ $I_{SD}\leq 6.8A$, $di/dt\leq 110A/\mu s$, $V_{DD}\leq V_{(BR)DSS}$, $T_J\leq 175^\circ\text{C}$
- ④ Pulse width $\leq 300\mu s$; duty cycle $\leq 2\%$
- ⑤ $t=60s$, $f=60Hz$

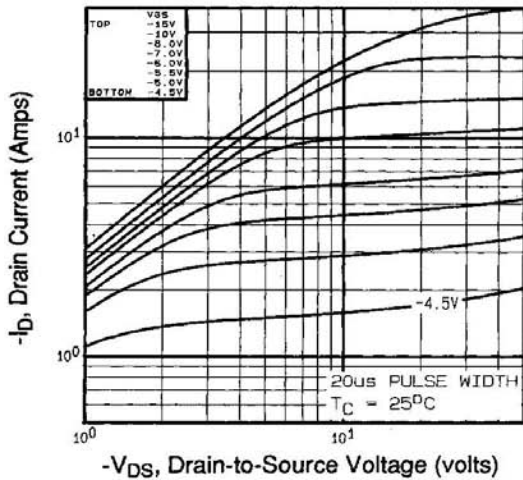


Fig 1. Typical Output Characteristics,
 $T_C=25^\circ\text{C}$

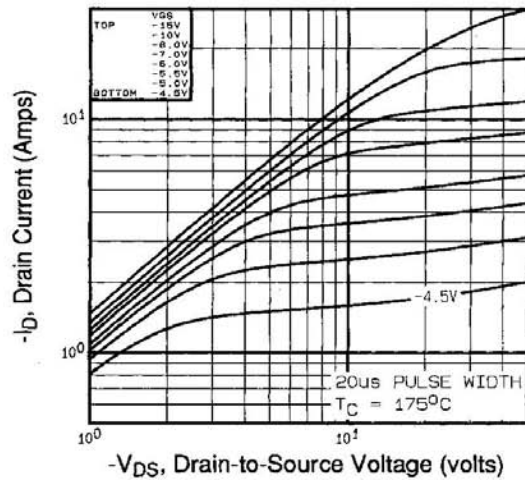


Fig 2. Typical Output Characteristics,
 $T_C=175^\circ\text{C}$

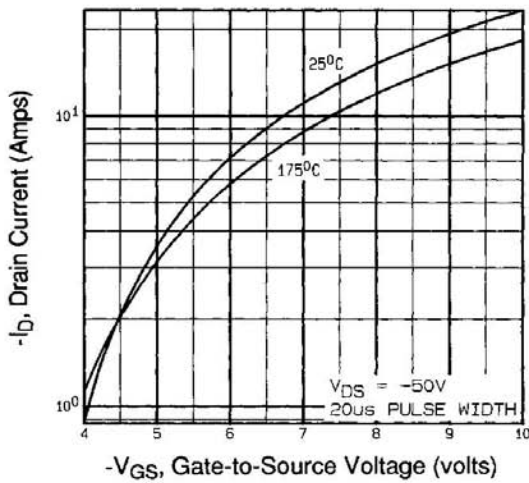


Fig 3. Typical Transfer Characteristics

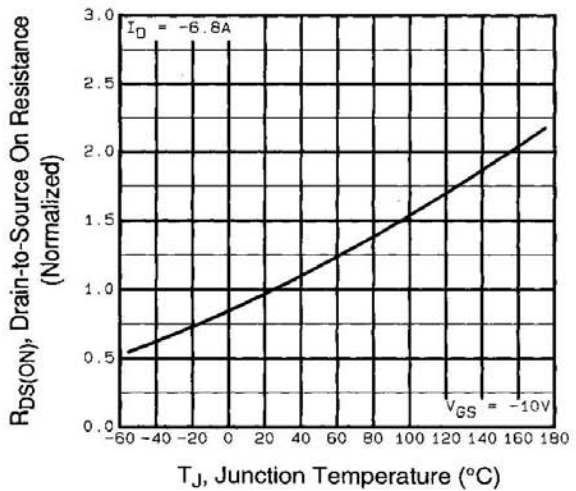


Fig 4. Normalized On-Resistance
Vs. Temperature

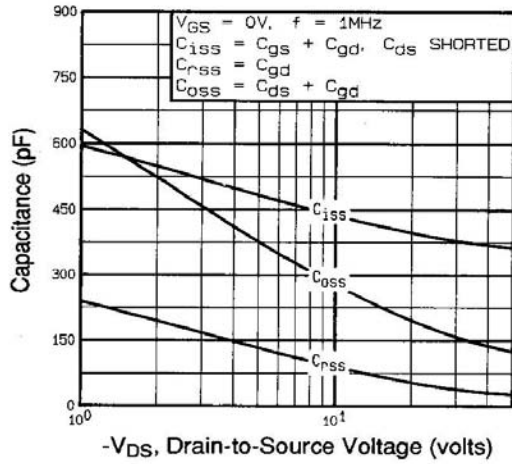


Fig 5. Typical Capacitance Vs. Drain-to-Source Voltage

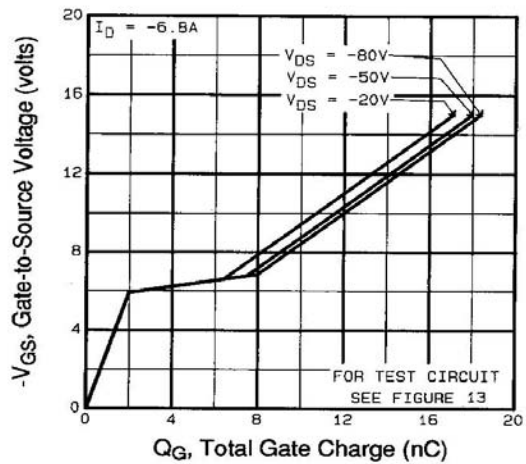


Fig 6. Typical Gate Charge Vs. Gate-to-Source Voltage

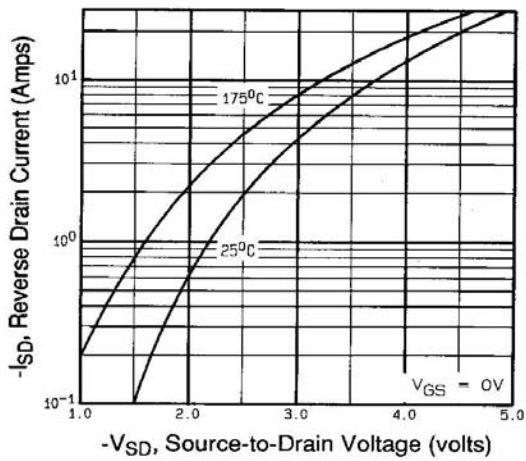


Fig 7. Typical Source-Drain Diode Forward Voltage

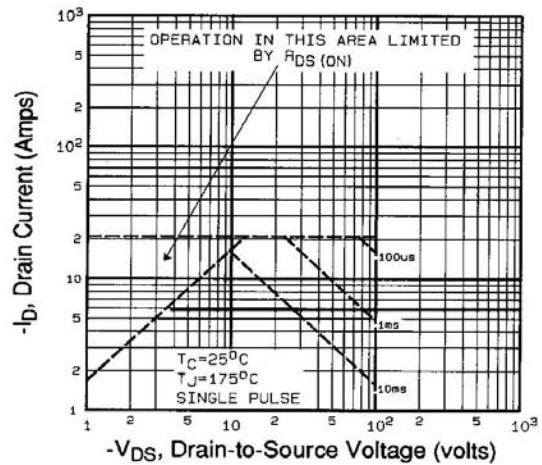


Fig 8. Maximum Safe Operating Area

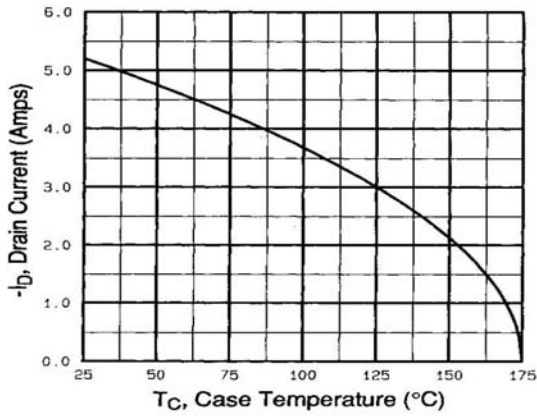


Fig 9. Maximum Drain Current Vs. Case Temperature

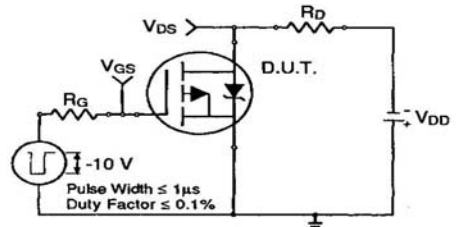


Fig 10a. Switching Time Test Circuit

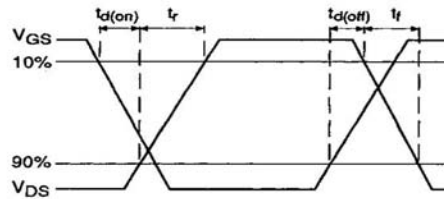


Fig 10b. Switching Time Waveforms

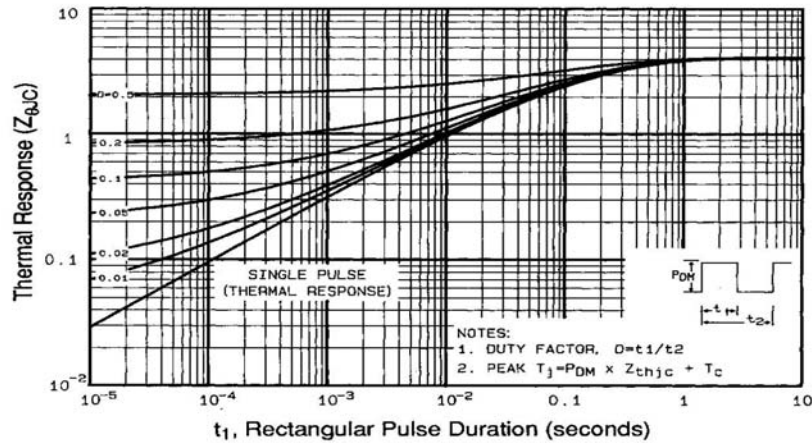


Fig 11. Maximum Effective Transient Thermal Impedance, Junction-to-Case

IRFI9520GPbF

International
IR Rectifier

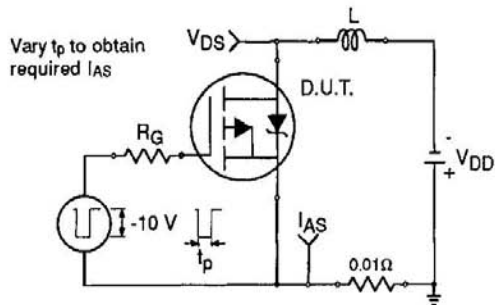


Fig 12a. Unclamped Inductive Test Circuit

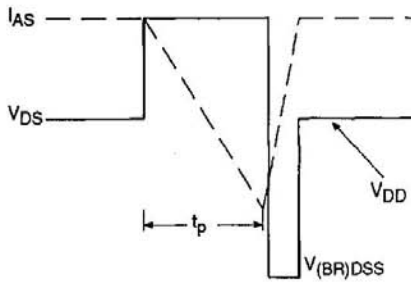


Fig 12b. Unclamped Inductive Waveforms

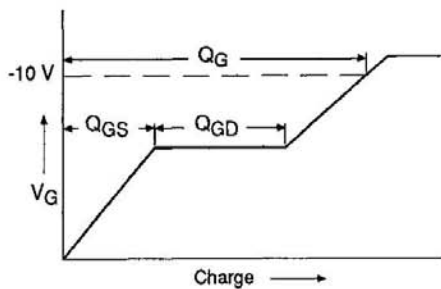


Fig 13a. Basic Gate Charge Waveform

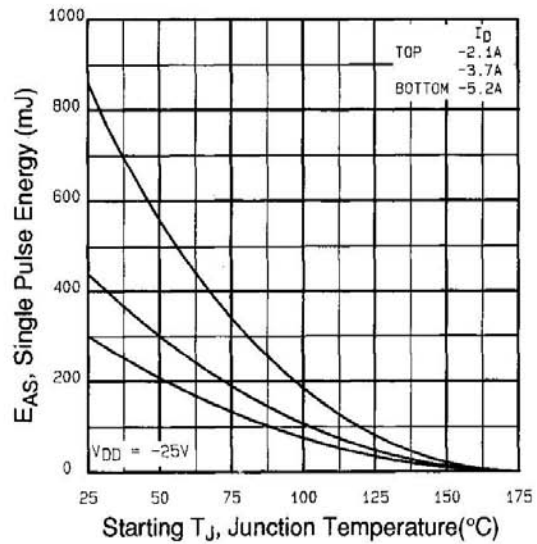


Fig 12c. Maximum Avalanche Energy Vs. Drain Current

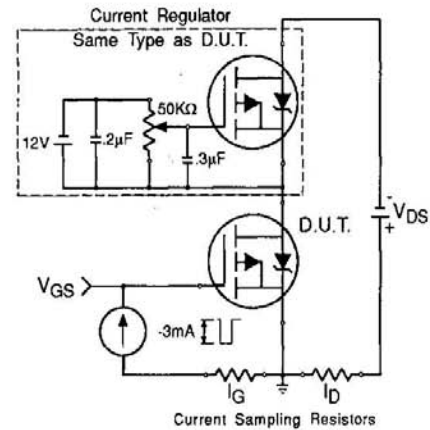
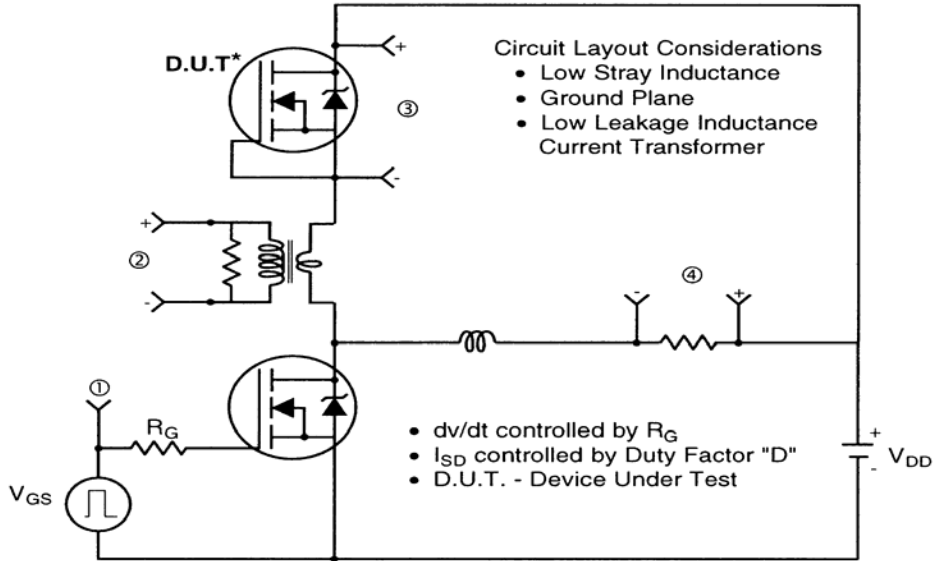
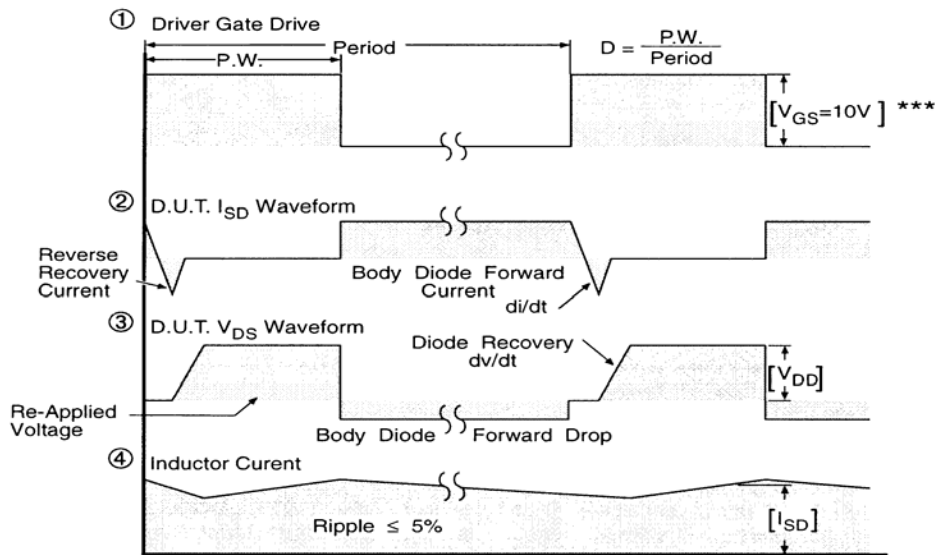


Fig 13b. Gate Charge Test Circuit

Peak Diode Recovery dv/dt Test Circuit



* Reverse Polarity of D.U.T for P-Channel



*** $V_{GS} = 5.0V$ for Logic Level and 3V Drive Devices

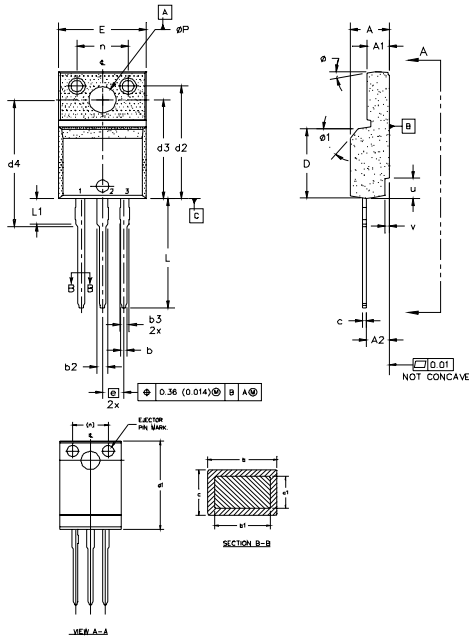
Fig 14. For P-Channel HEXFETS

IRFI9520GPbF

International
IOR Rectifier

TO-220 Full-Pak Package Outline

Dimensions are shown in millimeters (inches)



NOTES:
 1.0 DIMENSIONING AND TOLERANCING PER ASME Y14.5 M- 1994.
 2.0 DIMENSIONS ARE SHOWN IN MILLIMETERS (INCHES)
 3.0 LEAD DIMENSION AND FINISH UNCONTROLLED IN L1.
 4.0 DIMENSION D & E DO NOT INCLUDE MOLD FLASH. MOLD FLASH SHALL NOT EXCEED 0.005" (0.127) PER SIDE. THESE DIMENSIONS ARE MEASURED AT THE OUTERMOST EXTREMES OF THE PLASTIC BODY.
 5.0 DIMENSION ø1 APPLY TO BASE METAL ONLY.
 6.0 STEP OPTIONAL ON PLASTIC BODY DEFINED BY DIMENSIONS u & v.
 7.0 CONTROLLING DIMENSION : INCHES.

| SYMBOL | MILLIMETERS | | INCHES | | NOTES |
|--------|-------------|-------|-----------|-------|-------|
| | MIN. | MAX. | MIN. | MAX. | |
| A | 4.57 | 4.83 | 0.180 | 0.190 | 5 |
| A1 | 2.57 | 2.83 | 0.101 | 0.114 | |
| A2 | 2.51 | 2.85 | 0.099 | 0.112 | |
| b | 0.622 | 0.89 | 0.024 | 0.035 | 4 |
| b1 | 0.622 | 0.838 | 0.024 | 0.033 | |
| b2 | 1.229 | 1.400 | 0.048 | 0.055 | |
| b3 | 1.229 | 1.400 | 0.048 | 0.055 | 4 |
| c | 0.440 | 0.629 | 0.017 | 0.025 | |
| c1 | 0.440 | 0.584 | 0.017 | 0.023 | |
| D | 8.65 | 9.80 | 0.341 | 0.386 | 4 |
| d1 | 15.80 | 16.12 | 0.622 | 0.635 | |
| d2 | 13.97 | 14.22 | 0.550 | 0.560 | |
| d3 | 12.30 | 12.92 | 0.484 | 0.509 | 4 |
| d4 | 8.64 | 9.91 | 0.340 | 0.390 | |
| E | 10.36 | 10.63 | 0.408 | 0.419 | |
| e | 2.54 BSC | | 0.100 BSC | | 3 |
| L | 13.20 | 13.73 | 0.520 | 0.541 | |
| L1 | 3.10 | 3.50 | 0.122 | 0.138 | |
| n | 6.05 | 6.15 | 0.238 | 0.242 | 6 |
| øP | 3.05 | 3.45 | 0.120 | 0.136 | |
| u | 2.40 | 2.50 | 0.094 | 0.098 | |
| v | 0.40 | 0.50 | 0.016 | 0.020 | 6 |
| ø | 7" | 7" | 7" | 7" | |
| ø1 | 45° | 45° | 45° | 45° | |

LEAD ASSIGNMENTS

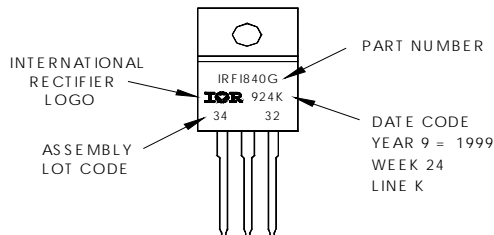
HEXLET
 1- GATE
 2- DRAIN
 3- SOURCE

IGBTs, CO-PACKS
 1- GATE
 2- COLLECTOR
 3- EMITTER

TO-220 Full-Pak Part Marking Information

EXAMPLE: THIS IS AN IRFI840G
 WITH ASSEMBLY
 LOT CODE 3432
 ASSEMBLED ON WW 24 1999
 IN THE ASSEMBLY LINE "K"

Note: "P" in assembly line position indicates "Lead-Free"



Data and specifications subject to change without notice.

International
IOR Rectifier

IR WORLD HEADQUARTERS: 233 Kansas St., El Segundo, California 90245, USA Tel: (310) 252-7105

TAC Fax: (310) 252-7903

Visit us at www.irf.com for sales contact information. 06/04

www.irf.com