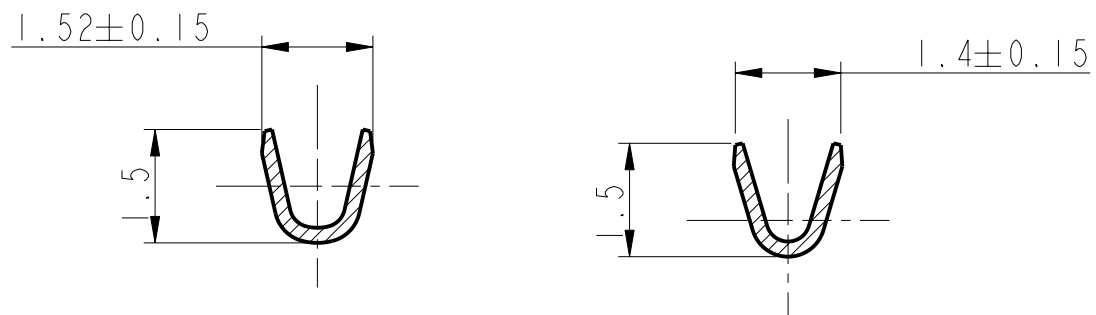
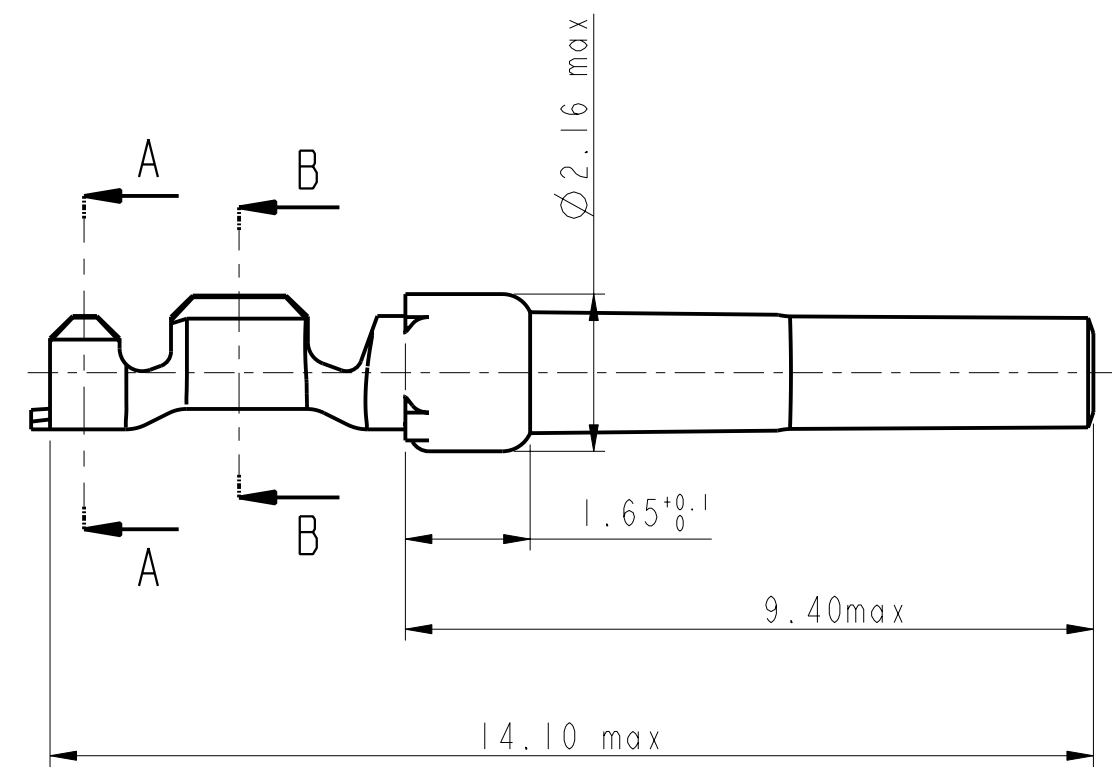
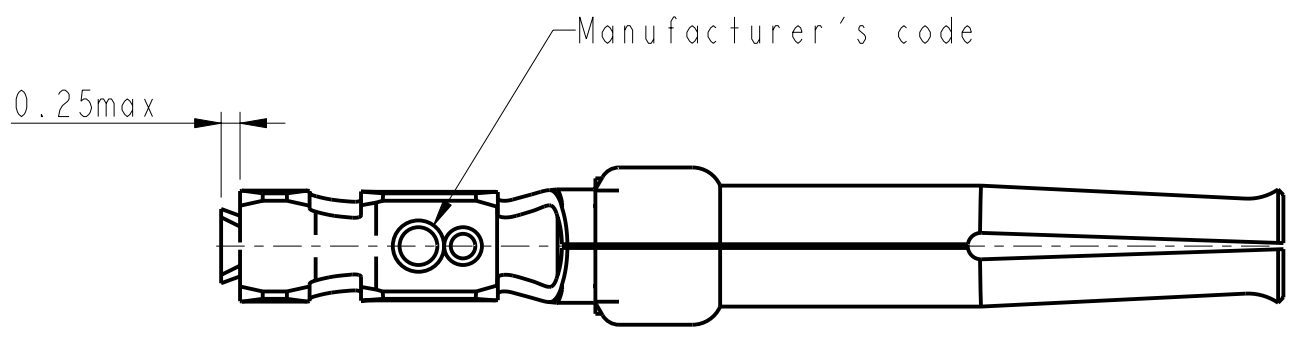


Tous droits strictement reserves. Reproduction ou communication a des tiers interdite sous quelque forme que ce soit sans autorisation écrite du propriétaire. Propriete de c FCI. Droits de reproduction FCI.

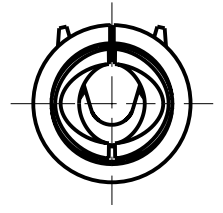
**A**  
**FCI**

All rights strictly reserved. Reproduction or issue to third parties in any form whatever is not permitted without written authority from the proprietor. Property of FCI. Copyright FCI.



SECTION A-A

SECTION B-B



NOTES:

- 1-Material:phosphor bronze,thickness 0.20
- 2-Finish on contact area:see table  
finish on termination:bright tin lead over nickel
- 3-Wire range:24 to 28 AWG
- 4-Max outer dia of wire insulator:1.02 mm
- 5-Current carrying capacity per contact:
  - 3.Amps max when crimped to #24 AWG
  - 2 Amps max when crimped to #26 AWG
  - 1 Amps max when crimped to #28 AWG
- 6-After 5 insertions into connector, contact retention must be 5 pounds axial load min
- 7-When contact is crimped to 24 AWG,the insulation support crimped height must be 1.78 mm max to ensure a proper insertion into housing
- 6-Packaging:BOX of 500 contacts

NOTE : ROHS INFORMATIONS

The LF products meet European union directives and other country regulations as described in GS-22-008  
Terminations plating spec : 2um Nickel min + 2um Sn min  
Packaging Spec : see GS-14-930

Core range	-
<b>8656351064LF</b>	Flash Au
<b>8656351064</b>	Flash Au
PART NUMBER	Plating

ltr	ecn no	dr	date
D	LS05-006	MPE	25/06/05
-	-	-	-
-	-	-	-
-	-	-	-
-	-	-	-
-	-	-	-
-	-	-	-

<b>A</b> <b>FCI</b>	www.fciconnect.com		surface <input checked="" type="checkbox"/>	tolerance	projection
	Dr	C JARRY	28/01/97	Product family	-
Eng			Spec ref	size	A3
Chr			Material	SEE NOTES	ECN
Appr					
title			CRIMP SOCKET		Rev.
#Wire 24-28 in bos 500 cts			dwg no		C01-8656-1507
catalog no			-		sheet 1 of 1