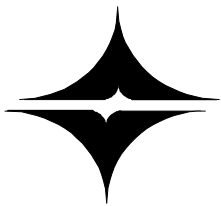


DATE : 2000. 02. 08.

SPECIFICATION

PRODUCT : LED DISPLAY

MODEL : ODC - O204ADM



OPTO ELECTRONICS CO., LTD.

1066-12 YOUNJANG-RI, JINAN-UP, JINAN-GUN

JEON-BUK, KOREA.

TEL : (063) 433-4566 ~ 8

FAX : (063) 433-4569

Home page : www.e-oec.com

**OPTO**

ELECTRONICS CO.,LTD.

T I T L E
L E D D I S P L A Y
ODC-O204ADM

Document Number	OQSS-D-080
Revision Number	IR
Revision Date	2000. 02. 08.
P A G E	1 OF 1

1. GENERAL DESCRIPTION

The ODC-O204 series of two digit consisted seven segments are designed to be used eve nin bright location.

The character height is 0.40inch (approximately 10.16mm) and a choice of four emitting colors(RED, GREEN, ORANGE, YELLOW) and two configurations (common ANODE, common CATHODE) are possible.

2. FEATURES

- High brightness with high contrast
- Wide angle viewing
- Low power consumption
- Solid state reliability
- Long operation life time

3. ABSOLUTE MAXIMUM RATINGS.

(Ta=25℃)

Parameter	Symbol	Rating	Unit
Power Dissipation	P _d	832	mW
Power Dissipation	P _d /seg	52	mW
Forward Current	I _F	20	mA
Peak Forward Current	I _{FP}	50	mA
Reverse Voltage	V _R /seg	5	V
Operating Temperature	T _{opr}	-25 ~ +70	℃
Storage Temperature	T _{stg}	-30 ~ +80	℃
Soldering Temperature	T _{sol}	260℃ within 5 seconds	

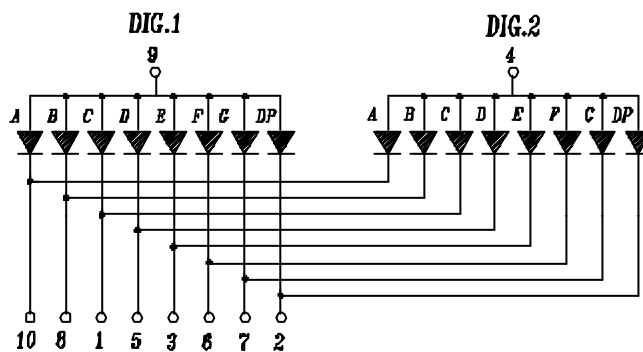
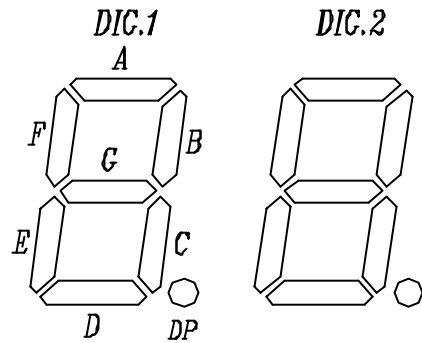
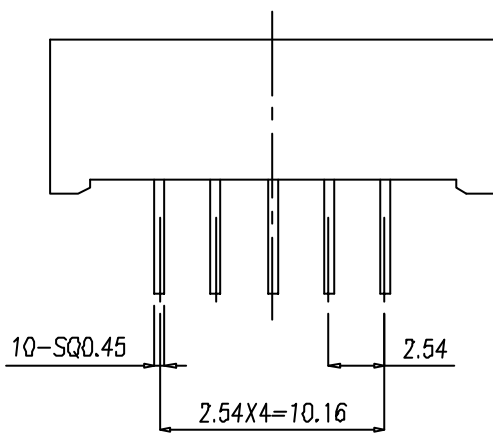
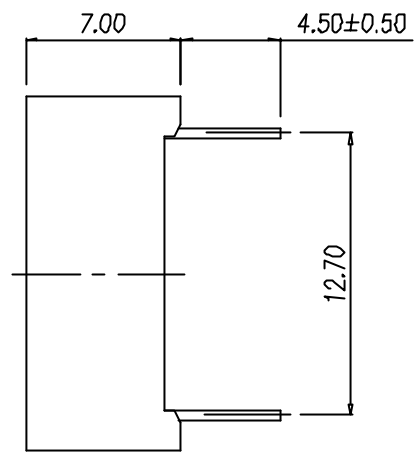
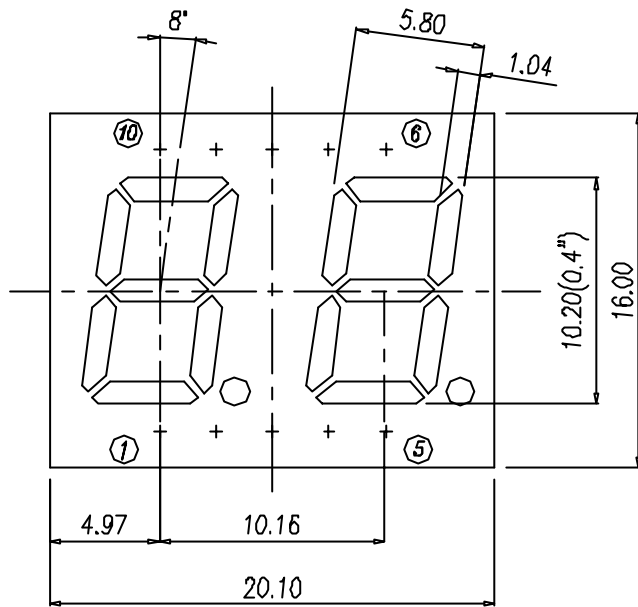
4. ELECTRO - OPTICAL CHARACTERISTICS

(Ta=25℃)

Parameter	Symbol	Condition	Min	Typ	Max	Unit
Forward Voltage	V _F	I _F =20mA	-	1.95	2.60	V
Luminous Intensity	I _V	I _F =20mA	250	-	350	med
Peak Emission Wavelength	λ _p	I _F =20mA	-	630	-	nm
Spectrum Radiation Bandwidth	Δλ	I _F =20mA	-	40	-	nm
Reverse Current	I _R	V _R =5V	-	-	100	μA

NOTE *1. Duty Ratio=¼

*2. Assembled into T1¾ plastic package



<Common Anode>

DATE	2000. 02. 08.	UNLESS OTHERWISE SPECIFIED DIMENSIONS ARE IN MILLIMETERS AND TOLERANCES ARE AS FOLLOWS: <table border="1"> <tr> <td>0 - 6</td> <td>±0.1</td> </tr> <tr> <td>6 - 15</td> <td>±0.15</td> </tr> <tr> <td>15 - 60</td> <td>±0.2</td> </tr> <tr> <td>60 - 200</td> <td>±0.3</td> </tr> <tr> <td>200 - ∞</td> <td>±0.5</td> </tr> </table>	0 - 6	±0.1	6 - 15	±0.15	15 - 60	±0.2	60 - 200	±0.3	200 - ∞	±0.5	TITLE	
0 - 6	±0.1													
6 - 15	±0.15													
15 - 60	±0.2													
60 - 200	±0.3													
200 - ∞	±0.5													
UNIT	mm		ODC-0204ADM											
SCALE	N/S			ANGULAR TOLERANCE ±0.5°										
MATERIAL														
OPTO ELECTRONICS CO.,LTD			D.W.G NO.	OD01 - 080										