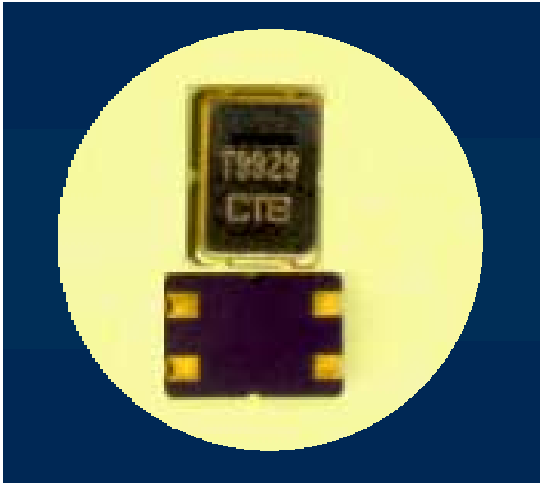


Features:

- Stable frequency over temperature and drive level
- Low Profile Seam Weld Package

Description and Applications:

Surface mount **5x7mm** reference crystal for use in Cellular handsets, 2-way radios, pagers, and other portable electronics requiring a stable frequency source.



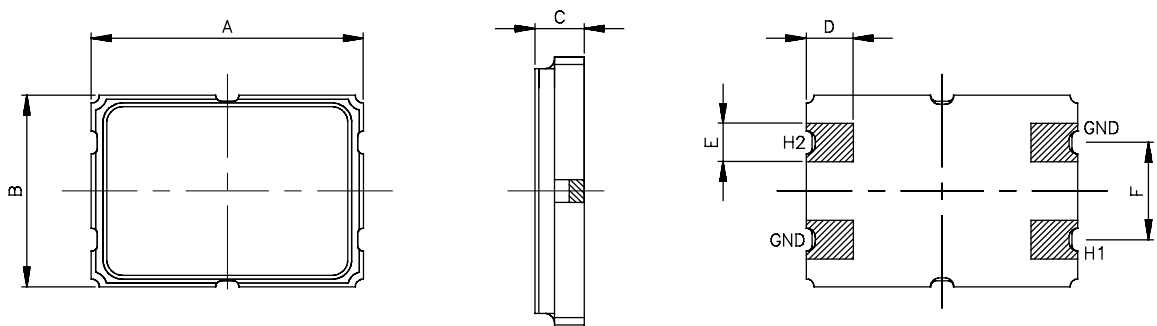
Electrical Specifications:

KXN6489B	Specification
Nominal Frequency	14.4 Mhz
Mode of Vibration	Fundamental
Storage Temperature Range	-40 C to 85 C
Frequency Stability over Temperature	± 15 PPM (-10 C to 50C)
Frequency Make Tolerance	± 10 PPM @25 C +/- 3°C
Resonance Resistance	30Ω Max.
Drive Level	10 μ W Max.
Load Capacitance	12 pf
Shunt Capacitance	5.0 pf Max.
Aging	+/-2 PPM/Yr @25C

Post Environmental Performance:

<p>Mechanical Shock: @ a half sine pulse shock of 0.3 milliseconds duration and a peak level of 3000 g's</p>	<p>$\Delta F_s < +/- 2.0 \text{ PPM}$ $\Delta R_s < +/- 3 \Omega \text{ or } 10\%$</p>
<p>Vibration: Per 2 x EIA RS-152-B</p>	<p>$\Delta F_s < +/- 2.0 \text{ PPM}$ $\Delta R_s < +/- 3 \Omega \text{ or } 10\%$</p>
<p>Thermal Shock: Air to air @ -30°C to 85°C, 30 min. at each temperature with less than 20 sec. transition time for 32 cycles. Allow crystals to stabilize a minimum of 4 hours prior to re-test.</p>	<p>$\Delta F_s < +/- 2.0 \text{ PPM}$ $\Delta R_s < +/- 3 \Omega \text{ or } 10\%$</p>

Mechanical Dimensions (mm):



5x7	A	B	C	D	E	F
mm	7.00	5.00	1.27	1.21	0.99	2.54
	± 0.18	± 0.18	± 0.20	± 0.13	± 0.13	± 0.13

NOTE: For proper electrical performance of crystal resonator, GND pads should be electrically connected to ground in the final application.