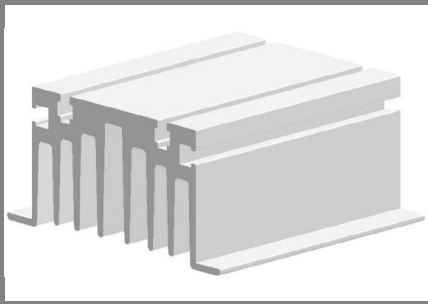


P 13A



Heatsink

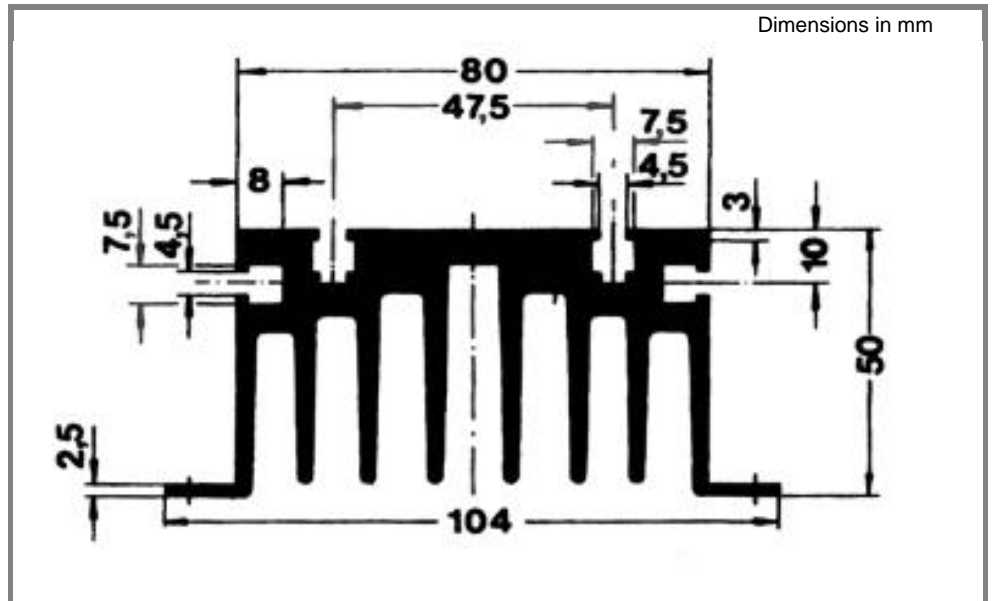
Standard lengths	n	b / d Ø mm	R _{thha} natural cooling K/W	R _{thha} K/W	w kg
P 13A/75	1		1,85 (35 W)		0,36
	2		1,75 (35 W)		
P 13A/100	1		1,60 (40 W)		0,48
	2		1,50 (40 W)		
P 13A/125	1		1,40 (45W)		0,6
	2		1,30 (45W)		
	3		1,15 (45W)		

For isolated power modules

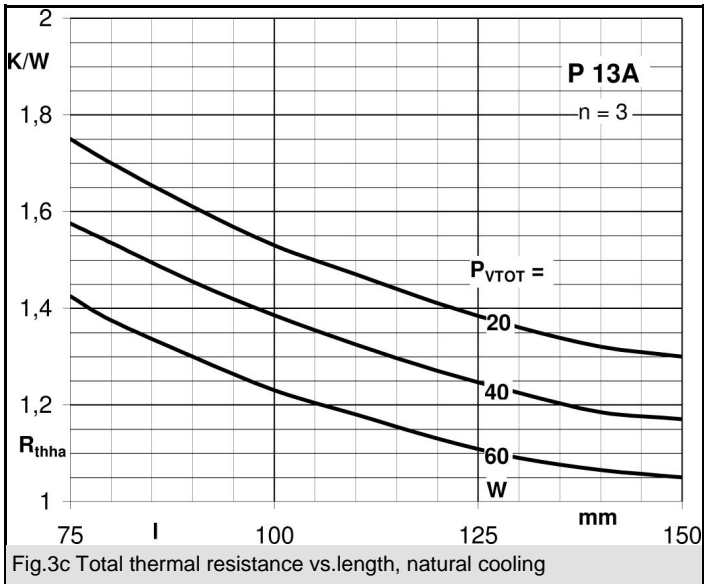
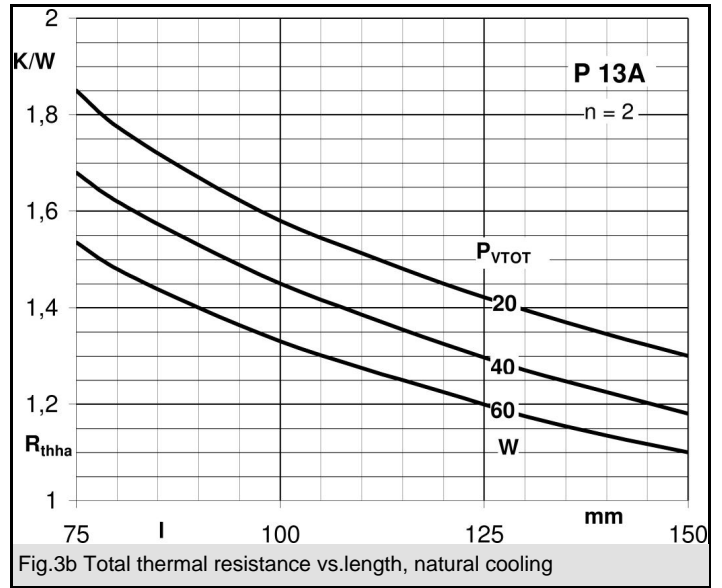
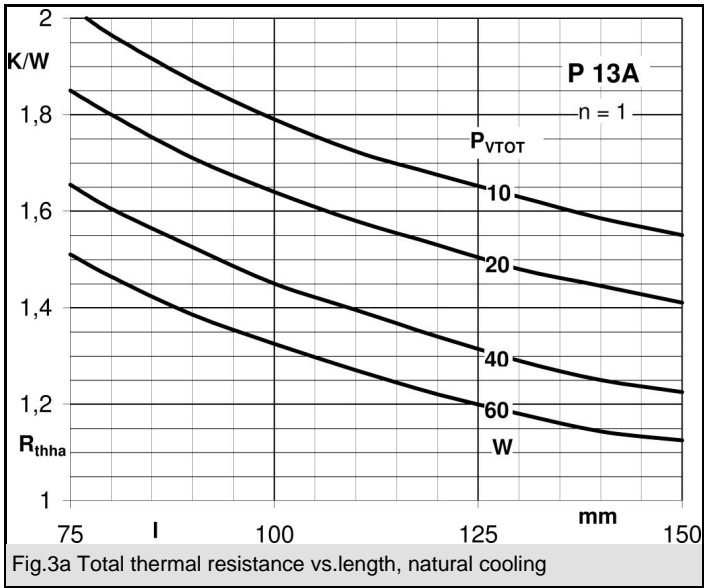
P 13A

Features

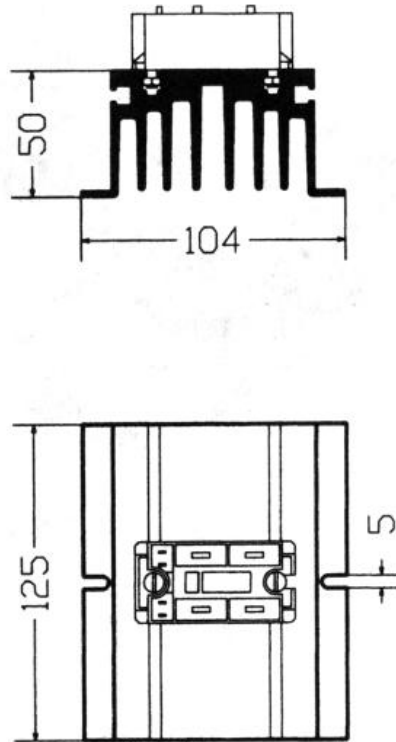
- Intended for isolated power modules: the SEMIPONT 1 and 2 bridge rectifier range
- Available in various lengths



P 13A general profile dimensions (w = 4,9 kg/m)



P13A/125



1. Application example using a SEMIPONT module and heatsink P 13A/125 to give a single phase bridge rectifier