

GENERAL DESCRIPTION

The ICS87949I is a low skew, $\div 1$, $\div 2$ Clock Generator and a member of the HiPerClockS™ family of High Performance Clock Solutions from ICS. The ICS87949I has selectable single ended clock or LVPECL clock inputs. The single ended clock input accepts LVCMOS or LVTTTL input levels. The PCLK, nPCLK pair can accept LVPECL, CML, or SSTL input levels. The low impedance LVCMOS outputs are designed to drive 50Ω series or parallel terminated transmission lines. The effective fanout can be increased from 15 to 30 by utilizing the ability of the outputs to drive two series terminated lines.

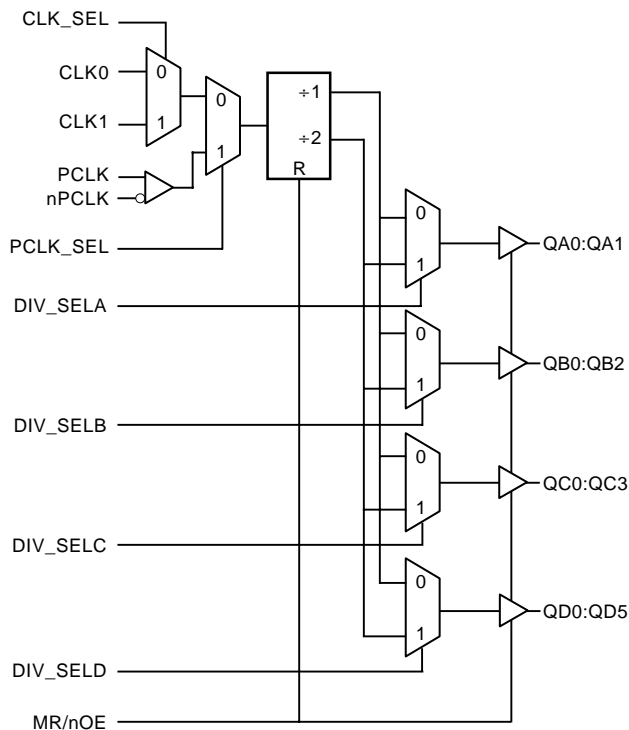
The divide select inputs, DIV_SELx, control the output frequency of each bank. The outputs can be utilized in the $\div 1$, $\div 2$ or a combination of $\div 1$ and $\div 2$ modes. The master reset input, MR/nOE, resets the internal frequency dividers and also controls the active and high impedance states of all outputs.

The ICS87949I is characterized at 3.3V core/3.3V output. Guaranteed output and part-to-part skew characteristics make the ICS87949I ideal for those clock distribution applications demanding well defined performance and repeatability.

FEATURES

- 15 single ended LVCMOS outputs, 7Ω typical output impedance
- Selectable LVCMOS or LVPECL clock inputs
- CLK0 and CLK1 can accept the following input levels: LVCMOS and LVTTTL
- PCLK, nPCLK supports the following input types: LVPECL, CML, SSTL
- Maximum output frequency: 160MHz
- Output skew: 350ps (maximum)
- Part-to-part skew: 2.75ns (maximum)
- 3.3V supply voltage
- -40°C to 85°C ambient operating temperature
- Pin compatible to the MPC949

BLOCK DIAGRAM



PIN ASSIGNMENT

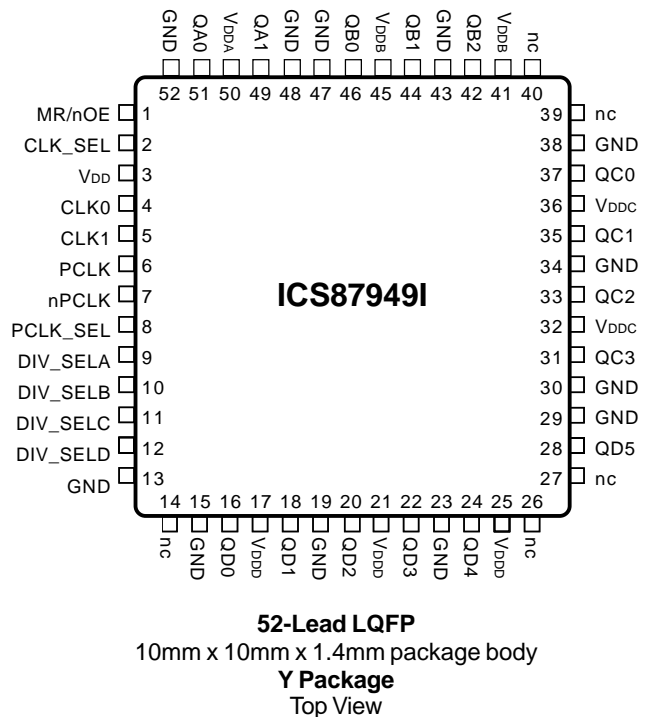




TABLE 1. PIN DESCRIPTIONS

Number	Name	Type		Description
1	MR/nOE	Input	Pulldown	Master reset and output enable. When LOW, output drivers are enabled. When HIGH, output drivers are in HiZ and dividers are reset. LVCMOS / LVTTTL interface levels.
2	CLK_SEL	Input	Pulldown	Clock select input. When HIGH, selects CLK1. When LOW, selects CLK0. LVCMOS / LVTTTL interface levels.
3	V _{DD}	Power		Core supply pin.
4, 5	CLK0, CLK1	Input	Pullup	LVCMOS / LVTTTL clock inputs.
6	PCLK	Input	Pulldown	Non-inverting differential LVPECL clock input.
7	nPCLK	Input	Pullup	Inverting differential LVPECL clock input.
8	PCLK_SEL	Input	Pulldown	PCLK select input. LVCMOS / LVTTTL interface levels.
9	DIV_SELA	Input	Pulldown	Controls frequency division for Bank A outputs. LVCMOS / LVTTTL interface levels.
10	DIV_SELB	Input	Pulldown	Controls frequency division for Bank B outputs. LVCMOS / LVTTTL interface levels.
11	DIV_SELC	Input	Pulldown	Controls frequency division for Bank C outputs. LVCMOS / LVTTTL interface levels.
12	DIV SELD	Input	Pulldown	Controls frequency division for Bank D outputs. LVCMOS / LVTTTL interface levels.
13, 15, 19, 23, 29, 30, 34, 38, 43, 47, 48, 52	GND	Power		Power supply ground.
14, 26, 27, 39, 40	nc	Unused		No connect.
16, 18, 20, 22, 24, 28	QD0, QD1, QD2, QD3, QD4, QD5	Output		Bank D outputs. LVCMOS / LVTTTL interface levels. 7Ω typical output impedance.
17, 21, 25	V _{DDD}	Power		Positive supply pins for Bank D outputs.
31, 33, 35, 37	QC3, QC2, QC1, QC0	Output		Bank C outputs. LVCMOS / LVTTTL interface levels. 7Ω typical output impedance.
32, 36	V _{DDC}	Power		Positive supply pins for Bank C outputs.
41, 45	V _{ddb}	Power		Positive supply pins for Bank B outputs.
42, 44, 46	QB2, QB1, QB0	Output		Bank B outputs. LVCMOS / LVTTTL interface levels. 7Ω typical output impedance.
49, 51	QA1, QA0	Output		Bank A outputs. LVCMOS / LVTTTL interface levels. 7Ω typical output impedance.
50	V _{DDA}	Power		Positive supply pins for Bank A outputs.

NOTE: *Pullup* and *Pulldown* refer to internal input resistors. See Table 2, Pin Characteristics, for typical values.



TABLE 2. PIN CHARACTERISTICS

Symbol	Parameter	Test Conditions	Minimum	Typical	Maximum	Units
C _{IN}	Input Capacitance				4	pF
R _{PULLUP}	Input Pullup Resistor			51		KΩ
R _{PULLDOWN}	Input Pulldown Resistor			51		KΩ
C _{PD}	Power Dissipation Capacitance (per output);			25		pF
R _{OUT}	Output Impedance			7		Ω

TABLE 3. FUNCTION TABLE

Inputs					Outputs			
MR/nOE	DIV_SELA	DIV_SELB	DIV_SELC	DIV SELD	QA0, QA1	QB0:QB2	QC0:QC3	QD0:QD5
1	X	X	X	X	Hi Z	Hi Z	Hi Z	Hi Z
0	0	X	X	X	f _{IN} /1	Active	Active	Active
0	1	X	X	X	f _{IN} /2	Active	Active	Active
0	X	0	X	X	Active	f _{IN} /1	Active	Active
0	X	1	X	X	Active	f _{IN} /2	Active	Active
0	X	X	0	X	Active	Active	f _{IN} /1	Active
0	X	X	1	X	Active	Active	f _{IN} /2	Active
0	X	X	X	0	Active	Active	Active	f _{IN} /1
0	X	X	X	1	Active	Active	Active	f _{IN} /2



ABSOLUTE MAXIMUM RATINGS

Supply Voltage, V_{DD}	4.6V
Inputs, V_{DD}	-0.5V to $V_{DD} + 0.5V$
Outputs, V_{DDx}	-0.5V to $V_{DDx} + 0.5V$
Package Thermal Impedance, θ_{JA}	42.3°C/W (0 lfpm)
Storage Temperature, T_{STG}	-65°C to 150°C

NOTE: Stresses beyond those listed under Absolute Maximum Ratings may cause permanent damage to the device. These ratings are stress specifications only. Functional operation of product at these conditions or any conditions beyond those listed in the *DC Characteristics* or *AC Characteristics* is not implied. Exposure to absolute maximum rating conditions for extended periods may affect product reliability.

TABLE 4A. POWER SUPPLY DC CHARACTERISTICS, $V_{DD} = V_{DDx} = 3.3V \pm 0.3V$, $T_A = -40^\circ C$ TO $85^\circ C$

Symbol	Parameter	Test Conditions	Minimum	Typical	Maximum	Units
V_{DD}	Core Supply Voltage		3.0	3.3	3.6	V
V_{DDx}	Output Supply Voltage; NOTE 1		3.0	3.3	3.6	V
I_{DD}	Power Supply Current				85	mA

NOTE 1: V_{DDx} denotes V_{DDA} , V_{DDB} , V_{DDC} , V_{DDD} .

TABLE 4B. DC CHARACTERISTICS, $V_{DD} = V_{DDx} = 3.3V \pm 0.3V$, $T_A = -40^\circ C$ TO $85^\circ C$

Symbol	Parameter	Test Conditions	Minimum	Typical	Maximum	Units
V_{IH}	Input High Voltage		2		$V_{DD} + 0.3$	V
V_{IL}	Input Low Voltage		-0.3		0.8	V
V_{PP}	Peak-to-Peak Input Voltage		0.3		1	V
V_{CMR}	Common Mode Input Voltage; NOTE 1, 2		$V_{DD} - 2.0V$		$V_{DD} - 0.6V$	V
I_{IN}	Input Current				± 120	μA
V_{OH}	Output High Voltage	$I_{OH} = -20mA$	2.5			V
V_{OL}	Output Low Voltage	$I_{OL} = 20mA$			0.4	V

NOTE 1: Common mode voltage is defined as V_{IH} .

NOTE 2: For single ended applications, the maximum input voltage for PCLK and nPCLK is $V_{DD} + 0.3V$.



TABLE 5. AC CHARACTERISTICS, $V_{DD} = V_{DDX} = 3.3V \pm 0.3V$, $T_A = -40^\circ C$ TO $85^\circ C$

Symbol	Parameter	Test Conditions	Minimum	Typical	Maximum	Units
f_{MAX}	Input Frequency		160			MHz
tp_{LH}	Propagation Delay, Low to High; NOTE 1	PCLK, nPCLK	1.9		9.0	ns
		CLK0, CLK1	1.7		10.6	ns
tp_{HL}	Propagation Delay, High to Low; NOTE 1	PCLK, nPCLK	1.8		8.6	ns
		CLK0, CLK1	1.6		10.5	ns
$t_{sk(o)}$	Output Skew; NOTE 2, 5	Measured on rising edge at $V_{DDX}/2$			350	ps
$t_{sk(pp)}$	Part-to-Part Skew; NOTE 3, 5	PCLK, nPCLK	Measured on rising edge at $V_{DDX}/2$		2.75	ns
		CLK0, CLK1			4	ns
t_R	Output Rise Time; NOTE 4	0.8 to 2.0V	0.1		1.0	ns
t_F	Output Fall Time; NOTE 4	0.8 to 2.0V	0.1		1.0	ns
t_{PZL}, t_{PZH}	Output Enable Time; NOTE 4				11	ns
t_{PLZ}, t_{PHZ}	Output Disable Time; NOTE 4				11	ns

NOTE 1: Measured from the $V_{DD}/2$ or crosspoint of the input to $V_{DDX}/2$ of the output.

NOTE 2: Defined as skew across banks of outputs at the same supply voltages and with equal load conditions. Measured at $V_{DDX}/2$.

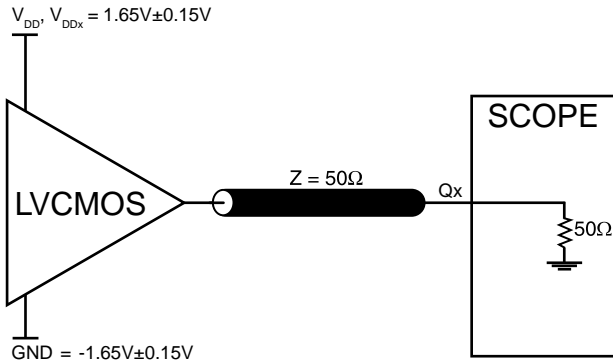
NOTE 3: Defined as skew between outputs on different devices operating at the same supply voltages and with equal load conditions. Using the same type of inputs on each device, the outputs are measured at $V_{DDX}/2$.

NOTE 4: These parameters are guaranteed by characterization. Not tested in production.

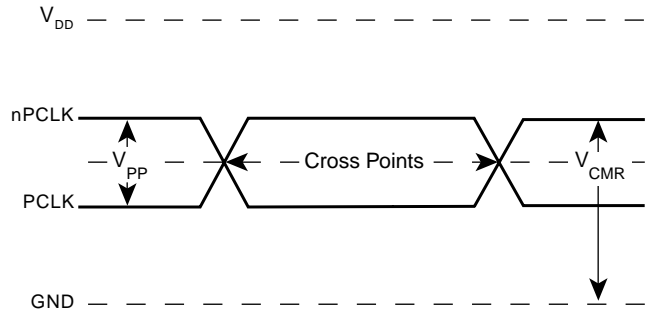
NOTE 5: This parameter is defined in accordance with JEDEC Standard 65.



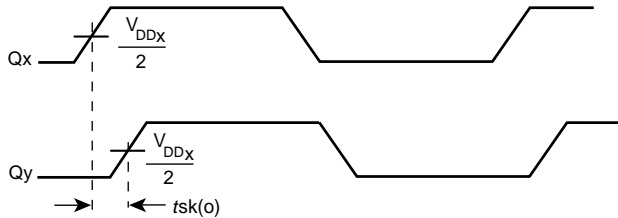
PARAMETER MEASUREMENT INFORMATION



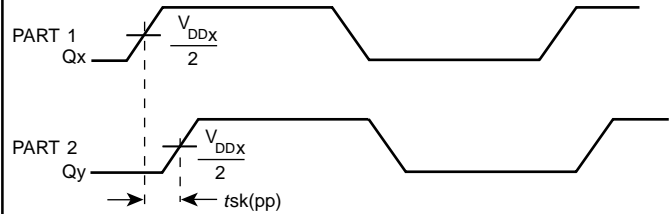
3.3V OUTPUT LOAD AC TEST CIRCUIT



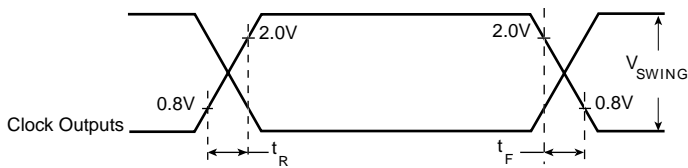
DIFFERENTIAL INPUT LEVEL



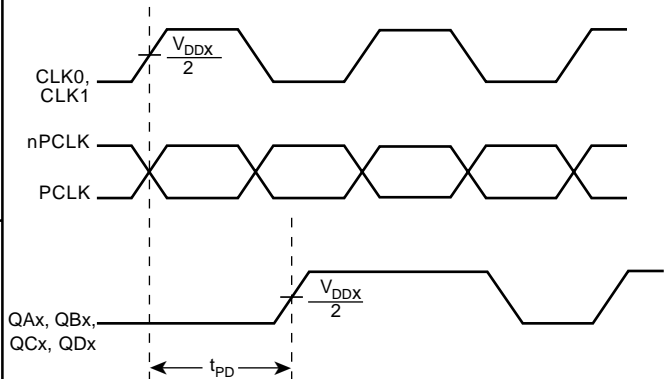
OUTPUT SKEW



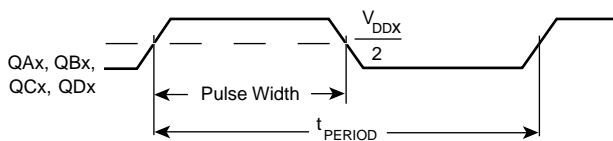
PART-TO-PART SKEW



OUTPUT RISE/FALL TIME



PROPAGATION DELAY



odc & t_{PERIOD}

$$odc = \frac{t_{PW}}{t_{PERIOD}}$$



RELIABILITY INFORMATION

TABLE 6. θ_{JA} VS. AIR FLOW TABLE

θ_{JA} by Velocity (Linear Feet per Minute)			
	0	200	500
Single-Layer PCB, JEDEC Standard Test Boards	58.0°C/W	47.1°C/W	42.0°C/W
Multi-Layer PCB, JEDEC Standard Test Boards	42.3°C/W	36.4°C/W	34.0°C/W

NOTE: Most modern PCB designs use multi-layered boards. The data in the second row pertains to most designs.

TRANSISTOR COUNT

The transistor count for ICS87949I is: 1545



PACKAGE OUTLINE - Y SUFFIX

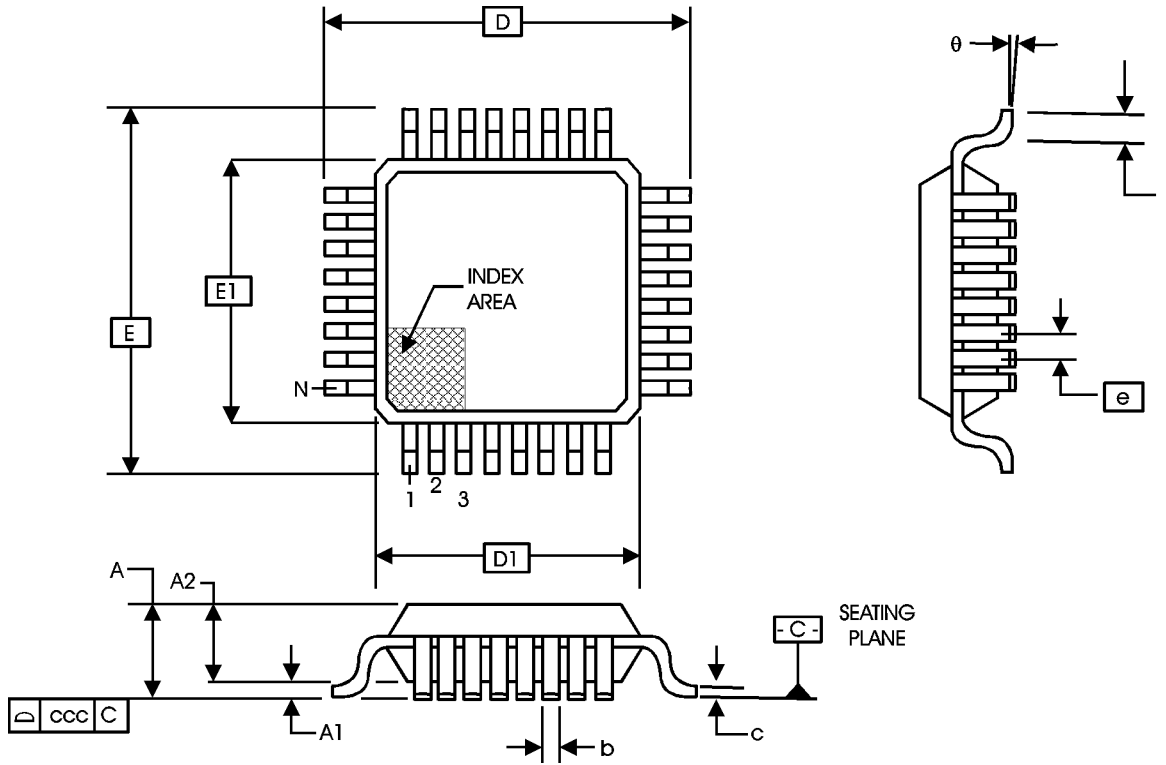


TABLE 7. PACKAGE DIMENSIONS

JEDEC VARIATION ALL DIMENSIONS IN MILLIMETERS			
SYMBOL	BCC		
	MINIMUM	NOMINAL	MAXIMUM
N	52		
A	--	--	1.60
A1	0.05	--	0.15
A2	1.35	1.40	1.45
b	0.22	0.32	0.38
b1	0.22	0.30	0.33
D	12.00 BASIC		
D1	10.00 BASIC		
E	12.00 BASIC		
E1	10.00 BASIC		
e	0.65 BASIC		
ccc	0.45	--	0.10
ddd	--	--	0.13

Reference Document: JEDEC Publication 95, MS-026



Integrated
Circuit
Systems, Inc.

ICS87949I

LOW SKEW, $\div 1$, $\div 2$
CLOCK GENERATOR

TABLE 8. ORDERING INFORMATION

Part/Order Number	Marking	Package	Count	Temperature
ICS87949AYI	ICS87949AYI	52 Lead LQFP	160 per tray	-40°C to 85°C
ICS87949AYIT	ICS87949AYI	52 Lead LQFP on Tape and Reel	500	-40°C to 85°C

While the information presented herein has been checked for both accuracy and reliability, Integrated Circuit Systems, Incorporated (ICS) assumes no responsibility for either its use or for infringement of any patents or other rights of third parties, which would result from its use. No other circuits, patents, or licenses are implied. This product is intended for use in normal commercial and industrial applications. Any other applications such as those requiring high reliability, or other extraordinary environmental requirements are not recommended without additional processing by ICS. ICS reserves the right to change any circuitry or specifications without notice. ICS does not authorize or warrant any ICS product for use in life support devices or critical medical instruments.



REVISION HISTORY SHEET				
Rev	Table	Page	Description of Change	Date
A	T1	1	In Features section revised bullet to read "Maximum output frequency..." instead of "Maximum input frequency..."	08/14/02
		2	In Pin Description Table revised MR/nOE description.	
		7	Revised Output Rise & Fall Time Diagram.	
A	T5	5	AC Characteristics table - corrected Output Enable/Disable Time symbols.	10/18/02
B	T4B	4	DC Characteristics table - changed V_{CMR} from GND + 1.5V min./ V_{DD} max. to V_{DD} - 2.0V min./ V_{DD} - 0.6V max.	10/22/02
	T5	5	AC Characteristics table - changed (PCLK, nPCLK) tp_{LH} from 4.7ns max. to 9.0ns max., deleted typical value. (CLK0, CLK1) tp_{LH} from 5.7ns max. to 10.6ns max., deleted typical value. (PCLK, nPCLK) tp_{HL} from 4.6ns max. to 8.6ns max., deleted typical value. (CLK0, CLK1) tp_{HL} from 5.6ns max. to 10.5ns max., deleted typical value.	
B		8	Modified Package Outline to correspond with the Package Dimensions table.	11/21/02