

INCH-POUND

MIL-DTL-38999K  
17 December 1999  
SUPERSEDING  
MIL-C-38999J  
06 April 1990

## DETAIL SPECIFICATION

### CONNECTORS, ELECTRICAL, CIRCULAR, MINIATURE, HIGH DENSITY, QUICK DISCONNECT (BAYONET, THREADED, AND BREECH COUPLING), ENVIRONMENT RESISTANT, REMOVABLE CRIMP AND HERMETIC SOLDER CONTACTS GENERAL SPECIFICATION FOR

This specification is approved for use by all Departments  
and Agencies of the Department of Defense.

#### 1. SCOPE

1.1 Scope. This specification covers four series of miniature, high density, bayonet, threaded, or breech coupling, circular, environment resistant, electrical connectors using removable crimp or fixed hermetic solder contacts, and are capable of operation within a temperature range of -65°C to +200°C (see 1.3.1d). See 6.1 for intended use and applications.

1.2 Description. All series include rear release removable pin and socket contacts with crimp termination. All series are designed to assure proper orientation of the mating halves prior to electrical circuit closure. All series include hermetically sealed receptacles with fixed contacts for solder termination. All series include EMI shielding capability. Series I, III, and IV connectors with conductive finishes provide electrical continuity between mated shells prior to contact engagement and have the contacts so located as to be protected from handling damage and inadvertent electrical contact. Series II provides low silhouette for minimum size and weight and includes connectors which provide shell-to-shell electrical continuity when mated.

#### 1.3 Classification.

1.3.1 Connectors. Connectors fabricated to this specification are classified as follows:

a. Series: The series I, II, III, and IV connectors are not interchangeable or intermateable.

- I - Scoop-proof, bayonet coupling.
- II - Non-scoop-proof, bayonet coupling, low silhouette.
- III - Scoop-proof, triple start, self-locking, threaded coupling.
- IV - Scoop-proof, breech coupling.

Beneficial comments (recommendations, additions, deletions) and any pertinent data which may be of use in improving this document should be addressed to: Defense Supply Center Columbus, ATTN: VAI, 3990 East Broad Street, Columbus OH 43216-5000 by using the self-address Standardization Document Improvement Proposal (DD Form 1426) appearing at the end of this document or by letter.

AMSC N/A

FSC 5935

DISTRIBUTION STATEMENT A: Approved for public release; distribution is unlimited.

b. Types:

(1) Plugs:

- Straight, without spring fingers.
- Straight, with spring fingers that make contact to receptacle shell prior to contact engagement.
- Straight with spring fingers that make contact to receptacle shell after contacts engage.
- Lanyard release.

(2) Receptacles:

- Box mounting, both front and rear panel mounting.
- Wall mounting, both front and rear panel mounting.
- Jam-nut, rear panel mounting.
- Solder mounting.
- Thru-bulkhead.

c. Classes:

Series I and II:

- E - Environment resisting - Box and thru-bulkhead mounting receptacle types. Other types with rear accessories are inactive for new design.
- G - Environment resisting - wall and jam nut mounting receptacle and plug types, space grade.
- H - Hermetically sealed - space grade.
- P - For potting - Includes potting form and short rear grommet. (inactive for new design for Air Force).
- T - Environment resisting - Wall and jam-nut mounting receptacle and plug types. These designs incorporate provision (thread and teeth) for rear accessory attachment.
- Y - Hermetically sealed.

Series III and IV:

- C - Environment resisting - Nonconductive plating.
- F - Environment resisting - Conductive plating.
- G - Environment resisting - Conductive plating, space grade.
- H - Hermetically sealed - Corrosion resistant steel, passivated, space grade.
- J - Environment resisting - Conductive, Corrosion resistant composite.
- K - Environment resisting - Corrosion resistant steel with Firewall barrier. .
- M - Environment resisting - Conductive, Corrosion resistant composite.
- N - Hermetically sealed - Corrosion resistant steel, electro-deposited nickel.
- R - Same as F, but higher corrosion requirement.
- S - Environment resisting with firewall barrier, corrosion resistant steel - Electrodeposited nickel.
- X - Same as W, but higher corrosion requirement.
- W - Environment resisting - Corrosion resistant plating.
- Y - Hermetically sealed - Corrosion resistant steel, passivated.

d. Temperature ranges: The upper temperature is the maximum internal hotspot temperature resulting from any combination of electrical load and ambient conditions.

Series I and II finishes:

- A - Silver to light iridescent yellow color cadmium plate over nickel (conductive) -65°C to +150°C (inactive for new design).
- B - Olive-drab cadmium plate over a suitable underplate (conductive) -65°C to +175°C.
- C - Anodic (nonconductive) -65°C to +200°C.
- D - Fused tin, carbon steel (conductive) -65°C to +150°C.
- E - Corrosion resistant steel, passivated (conductive) -65°C to +200°C.
- F - Electroless nickel coating (conductive) -65°C to +200°C.
- N - Hermetic seal or environment resisting corrosion resistant steel (conductive plating) -65°C to +200°C.
- R - Same as F, but higher corrosion requirement.
- U - Same as A, but higher corrosion requirement.
- X - Same as B, but higher corrosion requirement.

Series III and IV classes:

- C - Anodic (nonconductive) -65°C to +200°C.
- F - Electroless nickel coating (conductive) -65°C to +200°C.
- G - Same as F but space grade.
- H - Same as Y but space grade.
- J - Olive-drab cadmium plate, composite, (conductive) -65°C to +175°C.
- K - Corrosion resistant steel passivated (conductive) -65°C to +200°C.
- M - Electroless nickel coating, composite, (conductive) -65°C to +200°C.
- N - Corrosion resistant steel with electrodeposited nickel plating (conductive) -65°C to +200°C.
- R - Same as F, but higher corrosion requirement.
- S - Corrosion resistant steel with electrodeposited nickel plating (conductive) -65°C to +200°C.
- W - Olive-drab cadmium plate over a suitable underplate (conductive) -65°C to +175°C.
- X - Same as W, but higher corrosion requirement.
- Y - Corrosion resistant steel passivated (conductive) -65°C to +200°C.

e. Contact styles:

- (1) Contact designators for connectors using standard contact arrangements as indicated in MIL-STD-1560 are as follows:

- P - Pin - Including hermetics with solder cups, 500-cycle contact.
- S - Socket - Including hermetics with solder cups, 500-cycle contact.
- H - Pin - 1500-cycle contact.
- J - Socket - 1500-cycle contact.
- X - Pin - With eyelet (hermetic).
- Z - Socket - With eyelet (hermetic).
- C - Feedthrough.

The P, S, H, J, X, Z, or C designators are used to indicate that connectors will be used with full compliments of the applicable standard contacts as indicated in MIL-STD-1560.

The connectors that accommodate crimp removable contacts (P, S, H, and J) may be ordered without standard contacts by adding an appropriate note on the purchase order; however, the connector Part or Identifying Number (PIN) and the marking requirements remain unchanged (see 3.4.1.1, 3.43, and 6.2).

- (2) Contact designators for connectors using other than standard contact arrangements as indicated in MIL-STD-1560 are as follows:

- A - Pin contact insert.
- B - Socket contact insert.

The A and B designators are used to indicate that the connectors will be used with other than standard contacts as indicated in MIL-STD-1560 (example: shielded, coaxial thermocouple, fiber optic contacts). The A and B designators are part of the connector PINs and should be marked on the connectors.

The standard contacts should not be supplied with the connectors. The contacts that will be used with the connectors must be ordered separately (see 3.4.1.1, 3.43, and 6.2).

Note: When other than standard power contacts are used, the requirements stated herein may not be met.

## 2. APPLICABLE DOCUMENTS

2.1 General. The documents listed in this section are specified in sections 3 and 4 of this specification. This section does not include documents cited in other sections of this specification or recommended for additional information or as examples. While every effort has been made to ensure the completeness of this list, document users are cautioned that they must meet all specified requirements documents cited in sections 3 and 4 of this specification, whether or not they are listed.

### 2.2 Government documents.

2.2.1 Specifications, standards, and handbooks. The following specifications, standards, and handbooks form a part of this document to the extent specified herein. Unless otherwise specified, the issues of these documents are those listed in the issue of the Department of Defense Index of Specifications and Standards (DoDISS) and supplement thereto, cited in the solicitation (see 6.2).

## SPECIFICATIONS

### FEDERAL

- QQ-N-290 - Nickel Plating (Electrodeposited).
- QQ-P-416 - Plating, Cadmium (Electrodeposited).

### DEPARTMENT OF DEFENSE

- MIL-C-17 - Cables, Radio Frequency, Flexible and Semirigid, General Specification For.
- MIL-S-901 - Shock Tests, H.I. (High-Impact); Shipboard Machinery, Equipment and Systems, Requirements.
- MIL-DTL-5624 - Turbine Fuel, Aviation, Grades JP-4 and JP-5.
- MIL-S-7742 - Screw Threads, Standard, Optimum Selected Series, General Specification For.
- MIL-A-8625 - Anodic Coatings, for Aluminum and Aluminum Alloys.
- MIL-DTL-22520 - Crimping Tools, Wire Termination, General Specification For.
- MIL-W-22759 - Wire, Electrical, Fluoropolymer-Insulated, Copper or Copper Alloy.
- MIL-C-39029 - Contacts, Electrical Connector, General Specification For.
- MIL-A-46146 - Adhesive Sealants, Silicone, RTV, Non-corrosive (for use with Sensitive Metals and Equipment).
- MIL-DTL-81381 - Wire, Electrical, Polyimide-Insulated, Copper or Copper Alloy.

MIL-DTL-38999K

- MIL-I-81969 - Installing and Removal Tools, Connector, Electrical Contact, General Specification For.
- MIL-I-81969/14 - Installing and Removal Tools, Connector Electrical Contact, Type III, Class 2, Composition B.
- MIL-C-85049 - Connector Accessories, Electrical, General Specification For.
- MIL-C-85049/80 - Connector Accessories, Electrical, Dummy Contact, Sizes 12 and 8 Category 7 (For MIL-DTL-38999 Connectors).
- MIL-C-85049/81- Connector Accessories, Electrical, Seal Plug, Size 10 Category 7 (For MIL-DTL-38999 Connectors).
- MS3186 - Connector Mounting to Connectors, Mounting Nuts, Plain Hexagon.
- MS27488 - Plug, End Seal, Electrical Connector.
- MS27496 - Connector, Receptacle, Electrical, Box Mounting, Crimp Type, Bayonet Coupling, Series I.
- MS27499 - Connector, Receptacle, Electrical, Box Mounting Flange, Crimp Type, Bayonet Coupling, Series II.
- MS27505 - Connector, Receptacle, Electrical, Back Panel, Box Mounting Flange, Crimp Type, Bayonet Coupling, Series I.
- MS27508 - Connector, Receptacle, Electrical, Back Panel Box Mounting Flange, Crimp Type, Bayonet Coupling, Series II.

STANDARDS

FEDERAL

- FED-STD-H28 - Screw-Thread Standards for Federal Services.

DEPARTMENT OF DEFENSE

- MIL-STD-202 - Test Methods for Electronic and Electrical Component Parts.
- MIL-STD-790 - Standard Practice for Established Reliability and High Reliability Qualified Products List (QPL) Systems for Electrical, Electronic, and Fiber Optic Parts.
- MIL-STD-810 - Test Method Standard for Environmental Engineering Considerations and Laboratory Tests.
- MIL-STD-889 - Dissimilar Metals.
- MIL-STD-1285 - Marking of Electrical and Electronic Parts.
- MIL-STD-1344 - Test Methods for Electrical Connectors.
- MIL-STD-1560 - Insert Arrangements for MIL-C-38999 and MIL-C-27599 Electrical, Circular Connectors.

(See supplement I for list of associated specification sheets and military standards).

(Unless otherwise indicated, copies of the above specifications, standards, and handbooks are available from the Defense Printing Service Detachment Office, Bldg. 4D (Customer Service), 700 Robbins Avenue, Philadelphia, PA 19111-5094.)

2.2.2 Other Government documents, drawings, and publications. The following other Government documents, drawings, and publications form a part of this document to the extent specified herein. Unless otherwise specified, the issues are those cited in the solicitation.

NATIONAL AERONAUTICAL SPACE ADMINISTRATION (NASA)

- NASA Reference Publication 1124 Revised - Outgassing Data for Selecting Spacecraft Materials.-3834.

(Application for copies should be addressed to the Office of Safety and Mission Quality, (code QR), NASA, Headquarters, Washington, DC 20546.)

2.3 Non-Government publications. The following documents form a part of this specification to the extent specified herein. Unless otherwise specified, the issues of the documents which are DoD adopted are those listed in the issue of the DODISS specified in the solicitation. Unless otherwise specified, the issues of documents not listed in the DODISS are the issue of the non Government documents which is current on the date of the solicitation (see 6.2).

ELECTRONIC INDUSTRIES ASSOCIATION (EIA)

- EIA-359 - EIA Standard Colors For Color Identification and Coding (ANSI C-83.1-1973).
- EIA-364 - Electrical Connector/Socket Test Procedures Including Environmental Classifications.
- EIA-557 - EIA Standard Implementation of Statistical Process Control (SPC) in Manufacturing Process.

(Application for copies should be addressed to the Electronic Industries Alliance, 2500 Wilson Boulevard, Arlington, Virginia 22201-3834.)

AMERICAN NATIONAL STANDARDS INSTITUTE (ANSI)

- ANSI Y14.5M - Dimensioning and Tolerancing.

(Application for copies should be addressed to the American National Standards Institute, 11 West 42<sup>nd</sup> Street, New York, NY 10036.)

AMERICAN SOCIETY FOR TESTING AND MATERIALS (ASTM)

- ASTM-B339-93 - PIG Tin.
- ASTM-B488 - Gold For Engineering Uses, Electro Deposited, Coating of.
- ASTM-B545-92 - Tin, Electrodeposited coatings of.
- ASTM D570-81 - Plastic, Water Absorption of.
- ASTM E595-84 - Materials from Outgassing in a Vacuum Environment, Total Mass Loss and Collected Volatile Condensable, Standard Test Method For.
- ASTM B733-90 - Auto Catalytic Nickel Phosphorus Coatings on Metal.

(Application for copies should be addressed to the American Society for Testing and Materials, 100 Barr Harbor Drive, West Conshohocken, PA 19428-2959.)

INTERNATIONAL STANDARDS ORGANIZATION

- ISO/R 68-1973-ISO - Basic Profile for Triangular Screw Threads, .25 to 5 MM.
- ISO/R 261-1973-ISO - Metric Screw Threads, General Plan, .25 to 300 MM.
- ISO/R 262-1973-ISO - Metric Screw Threads for Screws, Bolts, and Nuts, 6 to 39 MM.
- ISO/R 965-1973-
  - Part 1 - ISO General Purpose Metric Screw Threads, Tolerances, Principals and Basic Data.
  - Part 2 - ISO General Purpose Metric Screw Threads, Tolerances, Limits of Sizes for Medium Quality Commercial Bolt and Nut Threads 1.6 to 39 MM.
  - Part 3 - ISO General Purpose Metric Screw Threads, Tolerances and Deviations for Constructional Threads 1.6 to 355 MM.

(Application for copies should be addressed to the American National Standard Institute, 11 West 42<sup>nd</sup> Street, New York, NY 10018.)

SOCIETY OF AUTOMOTIVE ENGINEERS (SAE)

- AIR 1351 - Manufacturer's Identification of Aerospace Electronic Wiring Devices and Accessories.

- AIR 1557 - High and Extended Vibration Environments.
- SAE-AS3582 - Packing, Preformed, O-ring Seal AMS 3304.

(Application for copies could be addressed to SAE Incorporated, 400 Commonwealth Drive, Warrendale, PA 15096-0001.)

2.4 Order of precedence. In the event of a conflict between the text of this document and the references cited herein (except for related associated detail specifications, specification sheets, or MS standards), the text of this document takes precedence. Nothing in this document, however, supersedes applicable laws and regulations unless a specific exemption has been obtained.

### 3. REQUIREMENTS

3.1 MS sheet form standards and specification sheets. The individual item requirements shall be as specified herein and in accordance with applicable MS sheet form standards, or specification sheets. In the event of conflict between the MS sheet form standards or specification sheets and this specification, the MS sheet form standard or specification sheet shall govern.

3.2 Qualification. Connectors furnished under this specification shall be products that are authorized by the qualifying activity for listing on the applicable qualified products list before contract award (see 4.3 and 6.3).

3.2.1 QPL system. The manufacturer shall establish and maintain a QPL system for parts covered by this specification. Requirements for this system are specified in MIL-STD-790. In addition, the manufacturer shall establish a Statistical Process Control (SPC) system that meets the requirements of EIA-557.

#### 3.3 Materials

3.3.1 Metals. Metals shall be of a corrosion-resistant type or shall be plated or treated to resist corrosion.

3.3.1.1 Dissimilar metals and compatible couples. When dissimilar metals are used in intimate contact with each other, protection against galvanic corrosion shall be provided. The use of dissimilar metals in contact, which tend toward active galvanic corrosion (particularly brass, copper, or steel used in contact with aluminum or aluminum alloy) is not acceptable. However, metal plating of dissimilar base metals to provide similar or suitable abutting surfaces is permitted. The use of dissimilar metals separated by a suitable insulating material is also permitted. Dissimilar metals and compatible couples are defined MIL-STD-889.

3.3.2 Components. Materials for specific components of the connector shall be as follows:

##### 3.3.2.1 Classes C, E, F, G, P,R, T, U, W and X.

- a. Shell - Impact extruded or machined aluminum alloy.
- b. Coupling ring, jam-nut, and potting ring - Machined aluminum alloy.
- c. Insert - Reinforced epoxy resin or other suitable rigid dielectric material.
- d. Bayonet pins - Corrosion-resistant steel.
- e. Spring fingers - Heat-treated beryllium copper or corrosion-resistant steel.
- f. Filler compound - RTV silicone in accordance with MIL-A-46146, or equivalent.

- g. Gaskets, grommet, and interface seals - Silicone or fluorosilicone elastomer.

3.3.2.2 Classes K and S, environment resisting.

- a. Shell - Corrosion resistant steel.
- b. Coupling ring - Corrosion resistant steel.
- c. Insert - Reinforced epoxy resin or other suitable rigid dielectric.
- d. Spring fingers - Heat-treated beryllium copper or corrosion resistant steel.
- e. Filler compound - RTV silicone in accordance with MIL-A-46146, or equivalent.
- f. Gasket, grommet, and interfacial seal - Silicone or fluorosilicone elastomer.
- g. Jam-nut - Corrosion resistant steel.

3.3.2.3 Classes H, Y, and N, hermetic receptacles.

- a. Shell.
  - (1) Flange, jam-nut and solder mounting - Corrosion-resistant steel.
  - (2) Flange, jam-nut and solder mounting - Carbon steel (series I and II only).
  - (3) Flange, weld mounting - Corrosion-resistant steel (type 304).
- b. Insert.
  - (1) Fused vitreous material for contact styles P, C and X.
  - (2) Vitreous seal and rigid dielectric for contact style S and Z.
- c. Contacts - Nickel-iron 52 alloy or equivalent.
- d. Bayonet pins - Corrosion-resistant steel.
- e. Gaskets and interface seals - Silicone or fluorosilicone elastomer.
- f. Jam nut - Jam nut shall be the same material and finish as the applicable connector.

3.3.2.4 Classes J and M, composite connectors.

- a. Shell, coupling ring and jam nut - These parts shall be of corrosion resistant, high performance virgin resins with or without filler materials. The resins shall be defined by specifications listed in the DODISS or published by professional materials associations; exceptions may be granted by the preparing activity. See 6.9.1 for guidance information.
- b. Insert - Reinforced epoxy resin or other suitable rigid dielectric material.
- c. Spring fingers - Heat-treated beryllium copper or corrosion-resistant steel.
- d. Filler compound - RTV silicone. in accordance with MIL-A-46146, or equivalent.
- e. Gasket, grommet, and interface seals - Silicone or fluorosilicone elastomer.



3.3.3 Fungus resistant. Materials used in the construction of these connectors shall be fungus inert. (see 4.2.2).

3.3.4 Magnetic permeability (except finish D of series I and II). The relative permeability of the wired, assembled, and fully mated connector assembly shall be less than  $2.0\mu$  when measured in accordance with 4.5.41.

3.3.5 Recycled, recovered, or environmentally preferable materials: Recycled, recovered, or environmentally preferable materials should be used to the maximum extent possible provided that the material meets or exceeds the operational and maintenance requirements, and promotes economically advantageous life cycle costs.

3.3.6 Plating.

3.3.6.1 Contacts (hermetic receptacles). Contacts shall be gold-plated to a minimum thickness of .000050 inch (0.00127 mm) in accordance with ASTM-B488 over a suitable underplate. Silver underplate shall not be used. Wire marks on the back of the contact around the "nonfunctional" outside diameter of the wire well caused by electrical contact for plating are permissible.

3.3.6.1.1 Contacts (crimp). The plating and plating thickness on crimp contacts shall be as specified in MIL-C-39029.

3.3.6.2 Shells and accessory hardware. Unless otherwise specified, the finish on shells and accessory hardware shall be in accordance with the following designations:

Series I and II: Finishes -

- A - Nickel plate a minimum of .0002 inch (0.005 mm) followed by cadmium plate .0001 inch (0.003 mm) minimum in accordance with QQ-P-416, type II. A preliminary plate of other metal is permissible. The final finish shall be electrically conductive and shall be silver to light iridescent yellow in color. Finish A is inactive for new design.
- B - Olive drab cadmium plate in accordance with QQ-P-416 over a suitable underplate. Final finish shall be electrically conductive.
- C - Hard, anodic, nonconductive in accordance with MIL-A-8625, type III, .0008 inch (0.020 mm) minimum thickness.
- D - Fused tin plate in accordance with ASTM-B545 or ASTM-B339. The tin shall be reflowed to promote solderability. Tin application process shall inhibit tin whisker growth.
- E - Electrically conductive, stainless steel, passivated.
- F - Electrically conductive, electroless nickel plating conforming to ASTM B733-90. Use of a suitable under plate is permissible.
- N - Electrodeposited nickel in accordance with QQ-N-290, class 2, .0001 to .0002 inch (0.003 to 0.005 mm) thickness.

- R - Electrically conductive, electroless nickel plating conforming to ASTM B733-90 (use of a suitable under plate is permissible) or electrodeposited nickel in accordance with QQ-N-290 (or an equivalent industry standard). The plating shall be such that this connector finish shall withstand the salt spray (corrosion) test specified in method 1001 of MIL-STD-1344, test condition letter A.
- U - Nickel plate followed by cadmium plate in accordance with QQ-P-416, type II. A preliminary plate of other metal is permissible. The final finish shall be electrically conductive and shall be silver to light iridescent yellow in color. The plating shall be such that this connector finish shall withstand the salt spray (corrosion) test specified in method 1001 of MIL-STD-1344, test condition letter A.
- X - Olive drab cadmium plate in accordance with QQ-P-416 over a suitable underplate. Final finish shall be electrically conductive. The plating shall be such that this connectors finish shall withstand 1000 hours of salt spray (corrosion) testing (952 hours mated followed by 48 hours unmated).

Series III and IV: Classes -

- W - Olive drab cadmium plate in accordance with QQ-P-416 over a suitable underplate. Final finish shall be electrically conductive.
- N,S - Electrodeposited nickel in accordance with QQ-N-290, class 2, .0001 to .0002 inch (0.003 to 0.005 mm) thickness.
- G,F - Electrically conductive electroless nickel plating conforming to ASTM B733-90. Use of a suitable underplate is permissible.
- J - Olive drab cadmium plate in accordance with QQ-P-416 over a suitable underplate. Final finish shall be electrically conductive. The coupling ring and HEX nut may be unplated.
- M - Electrically conductive electroless nickel plating. Use of a suitable underplate is permissible. The coupling ring and HEX nut may be unplated.
- C - Hard, anodic, nonconductive in accordance with MIL-A-8625, type III 0.0008 inch (0.020 mm) minimum thickness.
- H,K,Y - Electrically conductive, corrosion resistant steel, passivated.
- R - Electrically conductive, electroless nickel plating conforming to ASTM B733-90 (use of a suitable under plate is permissible) or electrodeposited nickel in accordance with QQ-N-290 (or an equivalent industry standard). The plating shall be such that this connector finish shall withstand the salt spray (corrosion) test specified in method 1001 of MIL-STD-1344, test condition letter A.
- X - Olive drab cadmium plate in accordance with QQ-P-416 over a suitable underplate. Final finish shall be electrically conductive. The plating shall be such that this connectors finish shall withstand 1000 hours of salt spray (corrosion) testing (952 hours mated followed by 48 hours unmated).

3.3.6.2.1 Shell spring fingers. Shell spring fingers shall be suitably protected to prevent corrosion.

3.3.7 Hazardous Materials. The use of environmentally preferable materials in the construction of these connectors is encouraged. See 6.9.2 for guidance.

3.4 Configuration interface and features. Connectors and accessories shall be configured to withstand normal handling incident to installation and maintenance in service. Connector intermateability control dimensions shall be as specified on figures 1 through 7. Connector accessory interface dimensions shall be as specified on figures 8, 9, and 10. All accessories designed to be used in accordance with MIL-DTL-38999 connectors must conform to MIL-C-85049. Recommended panel cutout dimensions are shown on figure 11. Dimensioning and tolerancing shall be in accordance with ANSI Y14.5M.

3.4.1 Contacts. Contacts shall be fixed or crimp removable, as specified.

3.4.1.1 Indirect shipment of contacts. Environment resisting connectors may be ordered without contacts (see 1.3.1e and 6.2).

3.4.1.2 Fixed contacts. Contacts in hermetically sealed or thru-bulkhead receptacles shall be nonremovable and solderable or feedthrough. Dimensions for solder type contacts shall be as shown on figure 12.

3.4.1.3 Crimp removable contacts. Crimp removable contacts may be used with all environment resisting classes of connectors. Crimp contacts shall be qualified to the specification sheets of MIL-C-39029 (see 6.5). The quantity of crimp contacts to be supplied with each connector unit package shall consist of a full complement of contacts plus 1 spare contact for each size used in the arrangement utilizing 26 contacts or less. For arrangements utilizing more than 26 contacts, 2 spare contacts of each size used in the arrangement shall be supplied. Spare Coax and Twinax contacts are not required.

3.4.1.4 Contact arrangement. Contact arrangement shall be in accordance with MIL-STD-1560. Except for hermetic assemblies, the engaging end of the pin contact in assembled connectors shall be located within .024 inch (0.61 mm) diameter of true position and the engaging end of socket contacts in assembled connectors shall be located within .015 inch (0.38 mm) diameter of true position. For hermetic connectors engaging end of pin and socket contacts shall be located within .004 inch (0.10 mm) diameter of true position. Test voltages for service ratings shall be in accordance with table I.

TABLE I. Test voltages, ac rms, 60 Hz.

Altitude	Service rating M		Service rating N		Service rating I		Service rating II	
	Mated	Unmated	Mated	Unmated	Mated	Unmated	Mated	Unmated
Sea level	1300	1300	1000	1000	1800	1800	2300	2300
50,000 feet	800	550	600	400	1000	600	1000	800
70,000 feet	800	350	600	260	1000	400	1000	500
100,000 feet	800	200	600	200	1000	200	1000	200

3.4.1.5 Installing and removal tools. Both the MIL-I-81969/8 and the MIL-I-81969/14 tools shall properly assemble and disassemble the pin and socket contacts into their connector inserts. One MIL-I-81969/14 tool for each contact size shall be enclosed in the unit package. For indirect shipments, connectors may be ordered without installing and removal tools (see 6.2).

3.4.1.6 Dust caps/containers. Dust caps shall be placed on the mating end of each connector. For RFI connectors, dust caps must be assembled externally over the coupling ring. Hermetic connectors require caps on both ends. In lieu of dust caps on both ends, hermetic receptacles may be packaged in rigid or semi-rigid containers designed to prevent damage to the termination end of the connector.

### 3.4.2 Insert interface.

3.4.2.1 Environment resisting classes. The entire insert and wire sealing or wire supporting member of the environment resisting assemblies shall be essentially one integral part, configured to provide suitable sealing and support (except box mount connectors) around the wires and to be nonremovable. The rigid dielectric shall be one molded piece or no more than two pieces bonded so as to form essentially one integral piece. The configuration shall be such as to permit the removal and replacement of individual contacts into their connector inserts with both MIL-I-81969/8 or MIL-I-81969/14 installing/removal tools. The contact locking device shall be contained in the rigid dielectric insert and shall so retain the contacts as to meet the contact retention requirements of this specification. Inserts shall be secured to prevent rotation. All pin contact inserts shall have a resilient interface seal bonded to the front face in accordance with the applicable standards. Socket entry holes and pin "donut" rings shall conform to figures 13, 14 and 15. Wire sealing for size 8 cavities may be accomplished by the use of a separate resilient bushing. If separate resilient bushings are required, they shall be furnished with the connector.

3.4.2.2 Hermetic receptacles. Vitreous material shall be used for fusing to metal to insulate and seal contacts. The insert member for styles S and Z shall be a two-piece construction consisting of a reinforced rigid dielectric socket support member bonded to the face of the vitreous insert and mechanically retained in the shell. Socket insert entry holes shall conform to figure 12. All pin contact inserts shall have a resilient interface seal bonded to the front face of the vitreous insert in accordance with the applicable standards. Pin "donut" rings shall conform to figures 13, 14 and 15.

### 3.4.3 Sealing.

3.4.3.1 Wire sealing (except box mount connectors). Environment resisting assemblies shall be designed to meet the environmental requirements of this specification using wire of outer diameter within the applicable range as shown in table II.

TABLE II. Wire sizes and diameters.

Contact size	Wire size (AWG)	Finished wire outside dimensions			
		minimum		maximum	
		Inches	mm	Inches	mm
22D	28, 26, 24, 22	.030	0.76	.054	1.37
22M <u>1/</u>	28, 26, 24	.030	0.76	.050	1.27
22 <u>1/</u>	26, 24, 22	.034	0.86	.060	1.52
20	24, 22, 10	.040	1.02	.083	2.11
16	20, 18, 16	.065	1.65	.109	2.77
12	14, 12	.097	2.46	.142	3.61
10	10	.135	3.42	.162	4.12
8 coax	M17/95-RG-180 <u>2/</u>	.135	3.43	.155	3.94
8 twinax	M17/176-00002 <u>3/</u>	.124	3.15	.134	3.40

1/ Inactive for new design.

2/ MIL-C-17.

3/ The applicable insert arrangements are 19-18, 21-75, 9-1, 17-2, 25-7, 25-8, 25-20, 25-46 and 25-90.

NOTE: Connectors shall meet the requirements specified when:

- A full complement of wire of the applicable minimum or maximum insulation diameter is installed.
- Any combination of wire diameters within the extremes of (a), above are used.

3.4.3.2 Grommet sealing plugs. Except for box mount connectors and as otherwise specified (see 3.1), the grommets of environment resisting connectors shall be designed to accept sealing plugs/dummy contacts in accordance with MS27488, MIL-C-85049/80 or MIL-C-85049/81 as applicable, in lieu of wire where unwired contacts are employed. The quantity of sealing plugs to be enclosed in the unit pack shall be ten percent of the number of contacts, but not less than one, for each contact size. For indirect shipments, connectors may be ordered without grommet sealing plugs (see 6.2). The following connectors are not designated to accept sealing plugs and sealing plugs shall not be provided in the unit packages for these containers: MS27496, MS27499, MS27505, MS27508, all class P connectors, hermetic connectors, and thru-bulkhead connectors.

3.4.3.3 Mating seal. Plugs and receptacles with pin inserts shall have a resilient face with individual pin barriers (see figures 13, 14 and 15). The pin barrier projections shall seal in their respective lead-in chambers of the hard face socket insert. The resilient interfacial seal shall provide individual contact seals in the mated condition to ensure circuit isolation between each contact and contact to shell. The receptacles of series I, II, and III shall be provided with a peripheral seal. The plugs of series IV shall incorporate an O-ring peripheral seal.

3.4.4 Shell. Shells, including mounting flanges, shall be of one-piece construction and shall be designed to retain their inserts in one position, both axially and with respect to rotation, by mechanical means. Adhesive may be used as a supplementary retention means for environment resisting connectors. Each plug and receptacle connector shall have at least one blue color band in accordance with EIA-359, indicating a rear release contact retention system. The blue color band shall be located so that it is readily visible to any person servicing a mounted connector. Hermetic receptacles do not require a blue color band.

3.4.4.1 Spring fingers except class C or finish C. All series I and III plugs shall have spring fingers. All series II and IV plugs noted "EMI grounding" (see 3.1) shall have spring fingers. Spring fingers shall be designed to make electrical contact with the mating shell without interfering with proper engagement. The springs shall be retained about the shell periphery. Minimum engagement of spring fingers shall be .040 (1.02 mm) prior to contact engagement for series I, III, and IV, and shall be after contact engagement for series II. Gold plating shall not be permitted on the spring fingers in connectors with cadmium plated shells.

3.4.4.2 Jam-nut mounting receptacles. Jam-nut mounting receptacles shall be provided with a mounting nut MS3186 for series I and II, and DOD-C-38999/28 for series III and IV, all with provisions for locking, and an O-ring in accordance with SAE-AS3582.

3.4.5 Screw threads. Screw threads shall conform to FED-STD-H28, MIL-S-7742, ISO/R68-1973, ISO/R261-1973, ISO/R262-1973, and ISO/R965-1973, as applicable. Threads shall be checked using ring or plug gauges. Slight out-of-roundness beyond the specified tolerances is acceptable if threads can accept the gauges without forcing.

3.4.6 Coupling. Connectors shall be coupled to counterpart connectors by means of a bayonet mechanism for series I and II, a triple start thread mechanism for series III and a breech mechanism for series IV. The mechanism shall include a means of maintaining the mated connector in full engagement. The coupling ring shall be knurled or fluted to facilitate coupling and shall be captivated. The coupling nuts of all connectors shall have a blue color band in accordance with EIA-359, indicating a rear release contact retention system. Coupling pins of series I and II connectors and accessories shall be permanently attached. The end surfaces of all coupling pins shall be of contrasting color to the shell finish.

3.4.6.1 Ease of coupling. Counterpart connectors of any arrangement shall be capable of being fully coupled and uncoupled in a normal and accessible location without the use of tools.

3.4.6.2 Locking.

3.4.6.2.1 Series I and II. For series I and II, a detent shall be provided in the coupling mechanism so that an audible click is evident when proper coupling is accomplished. Provision shall be made for visual determination that proper coupling has been achieved.

3.4.6.2.2 Series III. For series III, complete coupling shall be accomplished by approximately 360° clockwise rotation of the coupling nut and shall provide shell-to-shell bottoming. An anti-decoupling device shall be provided to maintain complete coupling. A red band shall be located on the receptacle so as to be visible when unmated and fully covered when completely mated.

3.4.6.2.3 Series IV. Complete coupling shall be accomplished by approximately 90° clockwise rotation of the coupling ring. The coupling ring shall incorporate a positive detent action at both the ready-to-mate and the mated positions providing both an audible and tactile indication of complete mating. A red band shall be located on the plug so as to be fully visible when the coupling ring is in the ready-to-mate position, and fully covered when the coupling ring is in the completely mated position. Coverage of the red band during mating without the action of the audible and tactile indicators constitutes an unmated connector.

3.4.6.3 Polarization of connector shells. Polarization of connector shells shall be accomplished by means of integral keys and suitable matching keyways on the counterpart. Polarization shall be accomplished before initial engagement of the coupling ring. During axial engagement, pins shall not touch sockets or the insert face until polarization has been achieved.

3.4.6.3.1 Alternates. Shells shall also be supplied with the keys (or keyways) rotated from the normal as indicated on figures 5, 6, and 7.

3.4.6.4 Lubrication. Bayonet coupling ramps, spring washers, the breech mechanism on series IV, and the coupling threads of series III plug connectors may be coated with a suitable lubricant. Rear accessory threads of all connectors and receptacle coupling areas shall not be lubricated.

3.4.6.5 Pin-to-pin mating prevention (series I, III, and IV).

3.4.6.5.1 Series I and III. Series I and III connectors shall be designed such that pin-to-pin contact (electrical or physical) is not possible in the event that a plug with pin contacts is inadvertently mated with a receptacle with pin contacts.

3.4.6.5.2 Series IV. Series IV connectors shall be provided with key and keyway widths arranged so as to prevent a plug with pin contacts from being mated with a receptacle with pin contacts.

3.4.7 Cavity fill (environment resisting classes). If the rear grommet design does not allow for intimate contact between it and the complete inner perimeter of the shell, any resulting cavity between the insert and the shell shall be filled with RTV silicone conforming to MIL-A-46146, or equivalent. The silicone shall adhere to both the shell and the grommet.

3.5 Interchangeability. All connectors having the same Part or Identifying Number (PIN) shall be completely interchangeable with each other with respect to installation and performance.

3.6 Maintenance aging (except hermetics). When tested as specified in 4.5.2, the contact installing and removal forces shall not exceed the requirements of table III.

3.7 Thermal shock (hermetics only). When tested as specified in 4.5.3, there shall be no damage detrimental to the operation of the connector.

3.8 Temperature cycling (all classes except hermetics). When tested as specified in 4.5.4, there shall be no blistering, peeling or separation of plating or other damage detrimental to the operation of the connector.

3.9 Air leakage (hermetics only). When tested as specified in 4.5.5, there shall be no evidence of leakage in excess of .01 micron ft<sup>3</sup>/h (1E-7 cm<sup>3</sup>/s).

TABLE III. Installing and removal forces.

Contact size	Installing and removal forces (maximum)	
	Pounds	Newtons
22D	10	44
22M <sup>1/</sup>	10	44
22 <sup>1/</sup>	10	44
20	20	89
16	20	89
12	30	133
10	35	156
8 Triax	35	156

<sup>1/</sup> Inactive for new design.

3.10 Coupling torque. When tested as specified in 4.5.6, the coupling torque for mating and unmating of the counterpart connectors and protective covers shall meet the requirements of table IV. For series IV connectors with spring fingers, the axial mating force prior to the coupling torque during engagement and following the torque upon disengagement shall be as specified in table V.

TABLE IV. Coupling torque.

Shell size	Maximum engagement and disengagement		Minimum disengagement	
	Pound inch	Newton meters	Pound inch	Newton meters
8	8	0.9	2	0.2
9	8	0.9	2	0.2
10	12	1.4	2	0.2
11	12	1.4	2	0.2
12	16	1.8	2	0.2
13	16	1.8	2	0.2
14	20	2.3	4	0.4
15	20	2.3	3	0.3
16	24	2.7	4	0.4
17	24	2.7	3	0.3
18	28	3.2	5	0.6
19	28	3.2	3	0.3
20	32	3.6	6	0.7
21	32	3.6	5	0.6
22	36	4.1	7	0.8
23	36	4.1	5	0.6
24	36	4.1	7	0.8
25	40	4.6	5	0.6

3.11 Durability. When tested as specified in 4.5.7, the connectors shall show no defects detrimental to the operation of the connectors and shall meet the subsequent test requirements (see 4.3.3).

3.12 Altitude immersion (qualification only) (except hermetics). When tested as specified in 4.5.8, the mated connector pair shall have a minimum insulation resistance as specified in 3.13.1 and dielectric withstanding voltage as specified in 3.14.

3.13 Insulation resistance.

3.13.1 Insulation resistance at ambient temperature. When tested as specified in 4.5.9.1, the insulation resistance between any pair of contacts and between any contact and the shell shall be greater than 5,000 megohms. Insulation resistance after altitude immersion shall be 1,000 megohms minimum. Insulation resistance after humidity shall be 100 megohms minimum.

3.13.2 Insulation resistance at elevated temperature. When tested as specified in 4.5.9.2, the insulation resistance between any pair of contacts and between any contact and the shell shall be greater than 1,000 megohms for environment resisting class connectors. Hermetic connectors shall be greater than 200 megohms.

3.14 Dielectric withstanding voltage. When tested as specified in 4.5.10.1 or 4.5.10.2 the maximum leakage current shall be 2 milliamperes, and there shall be no evidence of electric breakdown or flashover.

3.15 Insert retention. When tested as specified in 4.5.11, unmated connectors shall retain their inserts in their proper location in the shell and there shall be no evidence of cracking, breaking, separation from the shell, or loosening of parts.

TABLE V. Shell spring finger forces.

Shell size	Axial force							
	Series I, II, and III				Series IV			
	Maximum		Minimum		Maximum		Minimum	
	Pounds	Newtons	Pounds	Newtons	Pounds	Newtons	Pounds	Newtons
8/9	25	111	0.5	2	-	-	-	-
10/11	25	111	0.5	2	5	22.3	0.3	1.3
12/13	30	133	0.5	2	5	22.3	0.3	1.3
14/15	30	133	0.5	2	6	26.7	0.4	1.8
16/17	35	156	0.5	2	7	31.1	0.4	1.8
18/19	35	156	0.5	2	8	35.6	0.5	2.2
20/21	35	156	0.5	2	9	40.0	0.5	2.2
22/23	35	156	0.5	2	10	44.5	0.5	2.2
24/25	35	156	0.5	2	10	44.5	0.5	2.2

3.16 Salt spray (corrosion). When tested in 4.5.12, unmated connectors shall show no exposure of basis material due to corrosion which will adversely affect performance. Class J (initial qualification) after 500 hours salt spray inspect connector for cadmium, (inspection method optional) no underplate or basis material shall be exposed. Return to chamber for completion of 2000 hours.

3.17 Contact resistance (hermetics with sockets only). When tested as specified in 4.5.13, contacts in the mated condition shall meet the contact resistance requirements of table VI. Appropriate compensation may be made for resistance in the measured value which is due to and additional length of wire included in the measurement.



3.18 Electrical engagement. When tested as specified in 4.5.14, wired, mated connectors shall provide a minimum of .034 inch (0.86 mm) electrical engagement for series I and II, and .050 inch (1.27 mm) for series III and IV.

3.19 External bending moment. When tested as specified in 4.5.15, connectors shall show no evidence of damage detrimental to their normal operation nor shall there be any interruption of electrical continuity.

TABLE VI. Contact resistance.

Class	Contact size	Wire size	Test amperes	Millivolt drop maximum	
				Initial	After conditioning (see table VII).
H, N and Y	12	12	17	85	100
	16	16	10	85	100
	20	20	5	60	75
	22D	22	3	85	95

3.20 Coupling pin strength (series I and II only). When tested as specified in 4.5.16, bayonet coupling pins shall withstand a load of 50 +5, -0 pounds without displacement or perceptible loosening of coupling pins.

3.21 Gauge location. Using test gauges conforming to figures 16, 17, 18, and 19, the axial location of contacts shall be measured as specified in 4.5.17. Gauge location measurements shall fall within the range specified on figures 1, 2, 3, and 4.

3.22 Gauge retention. When tested as specified in 4.5.18, the test gauges conforming to figures 16, 20, and 21 shall be retained in the contact cavities of crimp contact connectors and the axial displacement of the test gauges while under load shall not exceed .012 inch (0.30 mm).

3.23 Contact retention. When tested as specified in 4.5.19, the axial displacement of the contact shall not exceed .012 inch (0.30 mm). No damage to contacts or inserts shall result.

3.24 Altitude-low temperature. When tested as specified in 4.5.20, the connectors shall meet the requirements of dielectric withstanding voltage at sea level specified in 3.14 and insulation resistance at ambient temperature specified in 3.13.1.

3.25 Accessory thread strength. When tested as specified in 4.5.21, the accessory threads and portion of the connector that accepts cable clamps and "J" adapters shall be capable of withstanding the torque listed in table VIII.

3.26 Vibration (qualification only). When tested as specified in 4.5.22, there shall be no electrical discontinuity and there shall be no disengagement of the mated connectors, backing off of the coupling mechanism, evidence of cracking, breaking, or loosening of parts.

3.27 Shock. When tested as specified in 4.5.23, there shall be no electrical discontinuity and there shall be no disengagement of the mated connectors, evidence of cracking, breaking, or loosening of parts.

3.28 Shell-to-shell conductivity (except finish C and class C). When tested as specified in 4.5.24, the probes shall not puncture or otherwise damage the connector finish and the maximum measured potential drop across assemblies shall be as follows:

- a. Series I and II with spring fingers:
  - (1) Finishes A, B, U and X - 2.5 millivolts.
  - (2) Stainless steel or a connector having half of the mating part stainless steel - 50 millivolts.
  - (3) Finishes F, N and R - 1 millivolt.
- b. Series II and IV without spring fingers - 200 millivolts.
- c. Series III and IV with spring fingers:
  - (1) Classes W and X - 2.5 millivolts.
  - (2) Classes F, G, N, R and S - 1 millivolt.
  - (3) Class H, K, or Y or a connector having half of the mating part class H, K, or Y - 10 millivolts.
  - (4) Classes J and M - 3.0 millivolts.

After conditioning (salt spray and coupling torque) the above values may increase 100 percent.

TABLE VII. Qualification and group C periodic tests.

Inspection	Requirement Paragraph	Test Paragraph
<u>Group 1 (all classes and finishes)</u>		
Visual and mechanical examination -----	3.1, 3.3, 3.4, 3.5, 3.43, and 3.44	4.5.1
Magnetic permeability (except finish D of series I and II)-----	3.3.4	4.5.41
Maintenance aging (except hermetics)-----	3.6	4.5.2
Thermal shock (hermetics only) -----	3.7	4.5.3
Temperature cycling (except hermetics)-----	3.8	4.5.4
Air leakage (hermetics only)-----	3.9	4.5.5
Coupling torque -----	3.10	4.5.6
Durability -----	3.11	4.5.7
Altitude immersion (except hermetics) 1/ -----	3.12	4.5.8
Insulation resistance at ambient temperature--	3.13.1	4.5.9.1
Dielectric withstanding voltage at sea level ----	3.14	4.5.10.1
Insert retention -----	3.15	4.5.11
Shell-to-shell conductivity (finishes A, D, F, N, R, U, X ----- and classes F, G, N, S only)	3.28	4.5.24
Salt spray (corrosion) (finishes A, D, F, N, R, U, X ----- and classes F, G, N, S only)	3.16	4.5.12
Coupling torque -----	3.10	4.5.6
Shell-to-shell conductivity (finishes A, D, F, N, R, U, X ----- and classes F, G, N, S only)	3.28	4.5.24
Contact resistance (hermetics with sockets only)-----	3.17	4.5.13
Electrical engagement-----	3.18	4.5.14
External bending moment-----	3.19	4.5.15
Coupling pin strength (series I and II only) -----	3.20	4.5.16
Post test examination-----	3.43 and 3.44	4.5.42
<u>Group 2 (all classes except hermetics)</u>		
Visual and mechanical examination -----	3.1, 3.3, 3.4, 3.5, 3.43, and 3.44	4.5.1
Gauge location -----	3.21	4.5.17
Gauge retention -----	3.22	4.5.18
Maintenance aging -----	3.6	4.5.2
Contact retention-----	3.23	4.5.19
Altitude-low temperature -----	3.24	4.5.20
Insulation resistance at ambient temperature--	3.13.1	4.5.9.1
Dielectric withstanding voltage at sea level ----	3.14	4.5.10.1
Temperature cycling -----	3.8	4.5.4
Coupling torque -----	3.10	4.5.6
Insulation resistance at elevated temperature -	3.13.2	4.5.9.2
Dielectric withstanding voltage at sea level ----	3.14	4.5.10.1
Dielectric withstanding voltage at altitude 1/ -----	3.14	4.5.10.2
Durability -----	3.11	4.5.7
Accessory thread strength-----	3.25	4.5.21
Vibration 1/ -----	3.26	4.5.22
Shock -----	3.27	4.5.23
Shell-to-shell conductivity (except finish C and class C)-----	3.28	4.5.24
High Temperature exposure (series III) 1/ -----	3.37.2	4.5.33.2
Humidity -----	3.29	4.5.25
Insulation resistance at ambient temperature--	3.13.1	4.5.9.1
Dielectric withstanding voltage at sea level-----	3.14	4.5.10.1
Contact retention-----	3.23	4.5.19
Post test examination-----	3.43 and 3.44	4.5.42

See footnote at end of table.

TABLE VII. Qualification and group C periodic tests - Continued.

Inspection	Requirement paragraph	Test paragraph
<u>Group 3 (hermetic receptacles)</u>		
Visual and mechanical examination-----	3.1, 3.3, 3.4, 3.5, 3.43, and 3.44	4.5.1
Thermal shock-----	3.7	4.5.3
Air leakage-----	3.9	4.5.5
Insulation resistance at elevated temperature -----	3.13.2	4.5.9.2
Durability-----	3.11	4.5.7
Coupling torque-----	3.10	4.5.6
Vibration <u>1</u> /-----	3.26	4.5.22
Shock-----	3.27	4.5.23
Insulation resistance at ambient temperature-----	3.13.1	4.5.9.1
Dielectric withstanding voltage at sea level -----	3.14	4.5.10.1
Humidity-----	3.29	4.5.25
Insulation resistance at ambient temperature-----	3.13.1	4.5.9.1
Dielectric withstanding voltage at sea level -----	3.14	4.5.10.1
Contact resistance-----	3.17	4.5.13
Post test examination-----	3.43 and 3.44	4.5.42
<u>Group 4 (shells with spring fingers)</u>		
Visual and mechanical examination-----	3.1, 3.3, 3.4, 3.5, 3.43, and 3.44	4.5.1
Durability (series I, III, and IV) (except classes J and M)-----	3.11	4.5.7
Shell spring finger forces-----	3.30	4.5.26
Shell-to-shell conductivity (except finish C and class C)-----	3.28	4.5.24
Salt spray (dynamic test) (classes J and M only)-----	3.16	4.5.12.2
Coupling torque (classes J and M only)-----	3.10	4.5.6
Shell to shell conductivity (classes J and M only)-----	3.28	4.5.24
EMI shielding (except finish C and class C)-----	3.31	4.5.27
Post test examination-----	3.43 and 3.44	4.5.42
<u>Group 5 (dielectric)</u>		
Visual and mechanical examination-----	3.1, 3.3, 3.4, 3.5, 3.43, and 3.44	4.5.1
Ozone exposure-----	3.32	4.5.28
Insulation resistance at ambient temperature-----	3.13.1	4.5.9.1
Dielectric withstanding voltage at sea level -----	3.14	4.5.10.1
Fluid immersion-----	3.33	4.5.29
Dielectric withstanding voltage at sea level -----	3.14	4.5.10.1
Coupling torque-----	3.10	4.5.6
Post test examination-----	3.43 and 3.44	4.5.42

See footnote at end of table.

TABLE VII. Qualification and group C periodic tests - Continued.

Inspection	Requirement paragraph	Test paragraph
<u>Group 6 (retention system)</u>		
Visual and mechanical examination-----	3.1, 3.3, 3.4, 3.5, 3.43, and 3.44	4.5.1
Retention system fluid immersion-----	3.33.1	4.5.29.1
Contact retention-----	3.23	4.5.19
Post test examination-----	3.43 and 3.44	4.5.42
<u>Group 7 (retention system)</u>		
Visual and mechanical examination-----	3.1, 3.3, 3.4, 3.5, 3.43, and 3.44	4.5.1
Pin contact stability-----	3.34	4.5.30
Contact walkout-----	3.35	4.5.31
Installing/removal tool abuse-----	3.36	4.5.32
High temperature exposure with contact loading-----	3.37.1	4.5.33.1
Insert retention-----	3.15	4.5.11
Post test examination-----	3.43 and 3.44	4.5.42
<u>Group 8 (hermetic receptacles mated with crimp counterparts)</u>		
Visual and mechanical examination-----	3.1, 3.3, 3.4, 3.5, 3.43, and 3.44	4.5.1
Contact resistance-----	3.17	4.5.13
Contact engagement and separating force-----	3.41	4.5.37
Resistance to probe damage-----	3.42	4.5.38
Contact engagement and separating force-----	3.41	4.5.37
Contact plating thickness (hermetic)-----	3.40	4.5.36
Post test examination-----	3.43 and 3.44	4.5.42
<u>Group 9 (series I and II - finishes B, C, E, R, U, X and series I, finish N) (series III and IV - classes C, F, G, H, J, K, N, M, R, S, U, W, X and Y)</u>		
Visual and mechanical examination-----	3.1, 3.3, 3.4, 3.5, 3.43, and 3.44	4.5.1
Shock (high impact) (series I, III, and IV only)-----	3.27	4.5.23.2
Dielectric withstanding voltage (at sea level) -----	3.14	4.5.10.1
Electrolytic erosion (series III and IV)-----	3.38	4.5.34
Shell-to-shell conductivity (except finishes C, N and classes C, F, G, N, and S)-----	3.28	4.5.24
Salt spray (dynamic test) (except classes F, G, J, M, N, and S and finish N) -----	3.16	4.5.12.2
Coupling torque-----	3.10	4.5.6
Shell-to-shell conductivity (except finishes C, N, and classes C, F, G, J, M, N, and S)-	3.28	4.5.24
Coupling pin strength (series I and II only)-----	3.20	4.5.16
Post test examination-----	3.43 and 3.44	4.5.42

See footnote at end of table.

TABLE VII. Qualification and group C periodic tests - Continued.

Inspection	Requirement paragraph	Test paragraph
<u>Group 10 (firewall-classes K and S)</u>		
Visual and mechanical examination-----	3.1, 3.3, 3.4, 3.5, 3.43, and 3.44	4.5.1
Firewall (classes K and S connectors)-----	3.39	4.5.35
<u>Group 11 (series I, III, and IV)</u>		
Visual and mechanical examination-----	3.1, 3.3, 3.4, 3.5, 3.43, and 3.44	4.5.1
Ice resistance-----	3.45	4.5.39
Dust (fine sand)-----	3.46	4.5.40
Impact classes J and M-----	3.50	4.5.46
Post test examination-----	3.43 and 3.44	4.5.42
<u>Group 12 (series I, II, III, and IV)</u>		
Visual and mechanical examination-----	3.1, 3.3, 3.4, 3.5, 3.43, and 3.44	4.5.1
Insert bonding integrity -----	3.49	4.5.45
Cavity to cavity insert bonding integrity <u>1/</u> -----	3.51	4.5.47
Thermal vacuum outgassing (classes G and H) <u>1/</u> -----	3.47	4.5.43
Post test examination-----	3.43 and 3.44	4.5.42
<u>Group 13 (classes J and M)</u>		
Visual and mechanical examination-----	3.1, 3.3, 3.4, 3.5, 3.43, and 3.44	4.5.1
Hydrolytic stability (classes J and M) -----	3.48	4.5.44
Post test examination-----	3.43 and 3.44	4.5.42

1/ Initial qualification only.

TABLE VIII. Accessory thread strength. 1/

Shell size	Accessory thread torque			Shell size	Accessory thread torque		
	Series II	Series I	Series III and IV		Series II	Series I	Series III and IV
	Inch-pounds	Inch-pounds	Newton-meters		Inch-pounds	Inch-pounds	Newton-meters
8	50 ±5			17		200 ±20	22.6 ±2.3
9		100 ±10	11.3 ±1.1	18	50 ±5		
10	50 ±5			19		200 ±20	22.6 ±2.3
11		100 ±10	11.3 ±1.1	20	100 ±10		
12	50 ±5			21		250 ±25	28.3 ±2.8
13		150 ±15	17.0 ±1.7	22	100 ±10		
14	50 ±5			23		250 ±25	28.3 ±2.8
15		150 ±15	17.0 ±1.7	24	100 ±10		
16	50 ±5			25		250 ±25	28.3 ±2.8

1/ These values are for qualification testing only.

3.29 Humidity. When tested as specified in 4.5.25, wired, mated connectors shall show no deterioration which will adversely affect performance of the connector. Following the test, and during the final cycle, insulation resistance shall be 100 megohms or greater.

3.30 Shell spring finger forces. When tested as specified in 4.5.26, the forces necessary to engage and separate EMI plugs with receptacle shells shall be within the values specified in table V.

3.31 EMI shielding (except finish C and class C). When tested as specified in 4.5.27, the EMI shielding capabilities of mated shells with spring fingers shall not be less than that specified in table IX at the specified frequencies.

3.32 Ozone exposure. When tested as specified in 4.5.28, the connectors shall show no evidence of cracking of dielectric material or other damage due to ozone exposure that will adversely affect performance.

3.33 Fluid immersion. When tested as specified in 4.5.29, connectors shall meet the requirements for coupling torque (see 3.10) and dielectric withstanding voltage (see 3.14).

3.33.1 Retention system fluid immersion. When tested as specified in 4.5.29.1, the insert assemblies shall meet requirements of contact retention (see 3.23). Effects of the fluids on resilient sealing members shall not be a consideration of this test.

TABLE IX. EMI shielding effectiveness.

Frequency MHz	Leakage attenuation (dB) minimum				
	Series II	Series III and IV			Series I
	Finishes B, F, N and R	Classes H, K, and Y	Classes F, G, N, M, R and S	Classes W, X and J	Finishes B, F, N, R and N
100	65	80	90	90	90
200	60	75	88	88	88
300	55	73	88	88	88
400	55	71	87	87	87
800	45	66	85	85	85
1,000	45	65	85	85	85
1,500	---	59	76	69	69
2,000	---	55	70	65	65
3,000	---	52	69	61	61
4,000	---	50	68	58	58
6,000	---	48	66	55	55
10,000	---	45	65	50	50

3.34 Pin contact stability. When tested as specified in 4.5.30, the total displacement of a reference point on the contact tip end shall not exceed the amount shown in table X.

TABLE X. Pin contact stability.

Contact size	Total displacement		Force	
	Inch	mm	Pounds	Newtons
22 <u>1/</u> , 22D, and 22M <u>1/</u>	.030	0.76	0.28	1.2
20	.054	1.37	0.55	2.4
16	.075	1.91	1.10	4.9
12	.075	1.91	1.10	4.9
10	.1	2.54	2.18	9.7
8 Triax	.1	2.54	2.18	9.7

1/ Inactive for new design.

3.35 Contact walkout. When tested as specified in 4.5.31, contacts shall not become dislodged from their normal position.

3.36 Installing/removal tool abuse (qualification only). When tested as specified in 4.5.32, there shall be no evidence of damage to the contacts, the connector insert, or the contact retaining mechanism.

3.37 High temperature exposure.

3.37.1 High temperature exposure with contact loading. When tested as specified in 4.5.33.1, the contacts shall maintain their specified locations as shown on figures 1, 2, 3, and 4 and there shall be no electrical discontinuity.

3.37.2 High temperature exposure (series III, except hermetics). When tested as specified in 4.5.33.2



for 1,000 hours, connectors shall perform satisfactorily and pass succeeding tests in the qualification test sequence.

3.38 Electrolytic erosion (series III and IV). When tested as specified in 4.5.34, pin contacts shall show no exposure of base metal due to electrolytic erosion. Corrosion deposits shall not be considered as defects.

3.39 Firewall (classes K and S connectors). Mated connectors shall prevent passing of a flame through the connector for at least 20 minutes when tested in accordance with 4.5.35. During this period there shall be no flame from outgassing or other causes on the end of the connector protected by the firewall. The current specified in 4.5.35 shall be applied for the first 5 minutes without break in electrical continuity. During the next minute the connector shall draw no more than 2 amperes when a test potential of 100 to 125 V ac at 60 Hz is applied between adjacent contacts and between contacts and the shell.

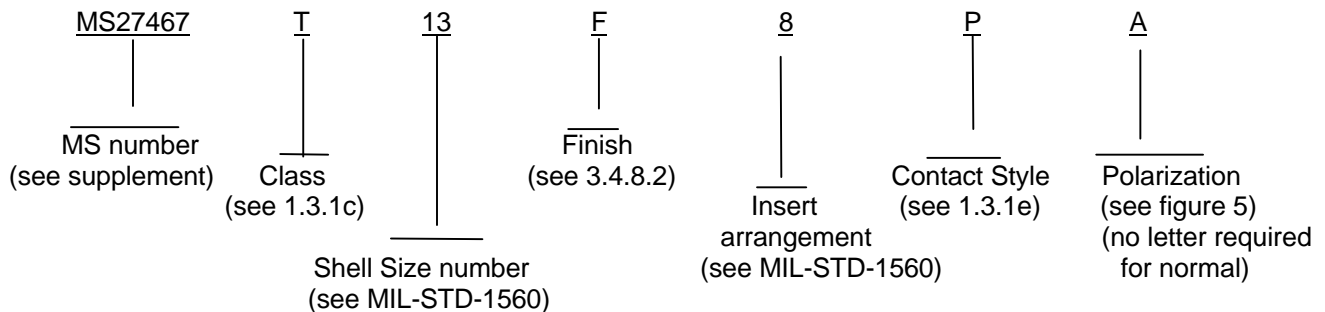
3.40 Contact plating thickness (hermetic). When tested as specified in 4.5.36, contacts used in hermetic connectors shall be gold plated to a minimum thickness of .000050 inch (0.00127 mm).

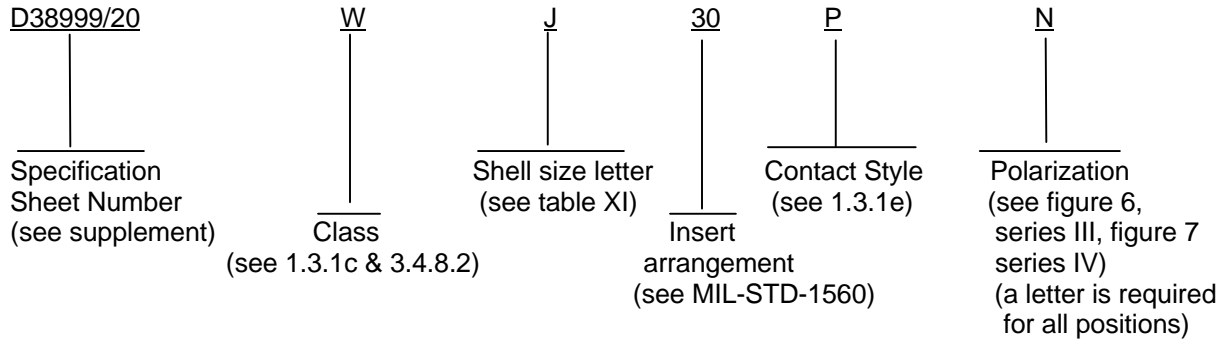
3.41 Contact engagement and separating force (hermetic sockets only). When tested as specified in 4.5.37, contact engagement and separating forces shall be within the limits specified in MIL-C-39029.

3.42 Resistance to probe damage (hermetic sockets only). When tested as specified in 4.5.38, contacts shall withstand the bending moment and depth of test probe insertion without evidence of damage that would interfere with the mechanical or electrical performance.

3.43 Marking. Connectors and accessories shall be permanently marked with Part Identification Number (PIN), Date Code, manufacturer and assembly plant when applicable. The manufacturer and assembly plants may be identified by the use of Commercial or Government Entity Number (CAGE code), name, trademark or symbol and shall be as specified in AIR1351. Stamping shall be in accordance with MIL-STD-1285 where space permits. Metal stamping shall be accomplished before plating. A single digit shell size and/or insert arrangement shall be marked with a single digit (example: shell size 8 shall be marked "8" not "08"). The following examples are illustrative:

a. Identification (series I and II).





b. Identification (series III and IV).

- c. Lot number - (000010).
- d. JAN prefix - (see 3.43.2)

3.43.1 Contact location identification. Contact locations shall be identified as indicated on the applicable military standard. All positions shall be identified on the front and rear faces of the insert except where space limitations make this impracticable. Location of contact identifying characters shall be in close proximity to the holes but need not be placed exactly where indicated on the standard. The preferred color of the contact identifying character is white. When the background is a color against which white is difficult to distinguish, a color will be chosen for which the identifying character can be easily distinguished.

3.43.2 JAN brand. The United States Government has adopted, and is exercising legitimate control over the certification marks "JAN" and "J", respectively, to indicate that items so marked or identified are manufactured to, and meet all the requirements of military specification. Accordingly, items acquired to, and meeting all of the criteria specified herein and in applicable specifications shall bear the certification mark "JAN" except that items too small to bear the certification mark "JAN" shall bear the letter "J". The "JAN" or "J" shall be placed immediately before the PIN except that if such location would place a hardship on the manufacturer in connection with such marking, the "JAN" or "J" may be located on the first line above or below the PIN. Items furnished under contracts or orders which either permit or require deviation from the conditions or requirements specified herein or in applicable specifications shall not bear "JAN" or "J". In the event an item fails to meet the requirements of this specification and the applicable specification sheets or associated detail specifications, the manufacturer shall remove the "JAN" or the "J" from the sample tested and also from all items represented by the sample. The "JAN" or "J" certification mark shall not be used on products acquired to contractor drawings or specification. The United States Government has obtained Certificate of Registration No. 504,860 for the certification mark "JAN".

Note: The "JAN" or "J" is not part of the PIN but indicates a certification.

TABLE XI. Shell size code for series III and IV part numbering.

Shell size	Code letter	Shell size	Code letter	Shell size	Code letter
9	A	15	D	21	G
11	B	17	E	23	H
13	C	19	F	25	J

3.44 Workmanship. The connector shall be fabricated in a manner such that the criteria for appearance, fit and adherence to specified tolerances are observed. Particular attention shall be given to neatness and thoroughness of marking parts, plating, welding, soldering, riveting, staking, and bonding. The visual examination under 3x magnification shall include examination of each retention cavity for molding discrepancies, retention features, and excessive adhesive. The connectors shall be free from crazing, cracks, voids, pimples, chips, blisters, pinholes, sharp cutting edges, burrs, and other defects that will adversely affect life, serviceability, or appearance.

3.45 Ice resistance series I, III and IV. When tested as specified in 4.5.39, connectors shall pass succeeding tests in the qualification table. When tested in accordance with 4.5.6 uncoupling and recoupling torque shall not exceed the values listed in table IV by more than 25 percent.

3.46 Dust (fine sand) series I, III, and IV. When tested as specified in 4.5.40, connectors shall pass succeeding tests in the qualification table. When tested in accordance with 4.5.6 uncoupling and recoupling torque shall not exceed the values listed in table IV by more than 25 percent.

3.47 Thermal vacuum outgassing (classes G and H qualification only). All non-metal materials used in the finished connector shall not release greater than 1.0 percent total mass loss (TML) and 0.1 percent collected volatile condensable material (CVCM) when tested as specified in 4.5.43. Data listed in NASA Reference Publication 1124 Revised may be used in lieu of actual test data for applicable materials.

3.48 Hydrolytic stability (classes J and M). When tested as specified in 4.5.44, the connector shall be without defects detrimental to mechanical performance. There shall be no increase in the connector weight greater than 0.75 percent. When subjected to an overtorque at 150 percent of those values specified in table IV, there shall be no evidence of cracking, breaking, or loosening of parts.

3.49 Insert bonding integrity. When tested as specified in 4.5.45, there shall be no air leakage between contact cavities.

3.50 Impact (classes J and M). When connectors plugs with MIL-C-85049 straight strain relief clamps are tested as specified in 4.5.46, there shall be no breaking or cracking of inserts or shells. Also, there shall be no bending of contacts nor any damage which would prevent the connector from mating or unmating.

3.51 Cavity to cavity leakage insert bonding integrity. When tested as specified in 4.5.47, there shall be no air leakage between contact cavities.

#### 4. VERIFICATION.

4.1 Classification of inspection. The examination and testing of connectors shall be classified as follows:

- a. Qualification inspection (see 4.3).
- b. Conformance inspection (see 4.4).

4.2 Inspection conditions. Unless otherwise specified herein, all inspections shall be performed in accordance with the test conditions specified in the "GENERAL REQUIREMENTS" of MIL-STD-1344.

4.2.1 Test equipment and inspection facilities. Test and measuring equipment and inspection facilities of sufficient accuracy, quality and quantity to permit performance of the required inspection shall be established and maintained by the contractor. The establishment and maintenance of a calibration system to control the accuracy of the measuring and test equipment (i.e., industry standard, military standard) shall be required.

4.2.1.1 QPL SYSTEM. The manufacturer shall establish and maintain a system to meet the requirements of MIL-STD-790 and the requirements herein (see 3.2.1). Evidence of such compliance shall be verified by the qualifying activity as a prerequisite for qualification and retention of qualification.

4.2.2 Fungus resistance certification. Certification of method 508.4 of MIL-STD-810 is required (see 3.3.3).

4.3 Qualification inspection. Qualification inspection shall be performed at a laboratory acceptable to the Government (see 6.3) on sample units produced with equipment and procedures normally used in production. Qualification approval may be granted upon successful completion of the inspections and tests of 4.3.3 conducted on samples of 4.3.1; such approval to include classes, finishes, shell configurations, and insert arrangements other than those actually tested providing that the capability to manufacture these parts is demonstrated by providing exhibit samples. Qualification of class K connectors also qualifies class S connectors providing class S connectors satisfactorily pass salt spray and group 4 tests. Qualification of class T, W, F, or K will qualify connectors for class Y for groups 5 and 11. Qualification of class T connectors also qualifies classes P and E connectors.

4.3.1 Sample size. The following test samples, for each series manufactured by normal production methods, shall be provided. Tested and untested connectors, accessories and materials may be required at no cost to the Government for qualification verification by the responsible qualification activity (see 6.3).

- a. Two mating pairs of series I, II, III, and IV straight plugs and wall mounting receptacle of each of the nine shell sizes. Three shell sizes shall be service M, three shall be service I, and three shall be service II. Each arrangement in a given shell size shall be the densest contact arrangement for that particular service rating. Half the samples of each shell size shall have pin contacts in the receptacle and socket contacts in the plug. The other samples shall have socket contacts in the receptacle and pin contacts in the plug. All samples shall be provided with straight strain relief clamps in accordance with MIL-C-85049.
- b. Two mating pairs, hermetic jam-nut receptacle and straight plug, of each of the nine shell sizes. Three shell sizes shall be service M, three shall be service I, and three shall be service II. Each arrangement in a given shell size shall be the densest contact arrangement for that particular service rating. One sample of each shell size shall have pin contacts in the receptacle and socket contacts in the plug. The other sample shall have socket contacts in the receptacle and pin contacts in the plug. Contractors seeking qualification of one style only in hermetics shall provide both jam-nut receptacles in that style with mating counterparts.

- c. One straight plug with spring fingers and counterpart wall mounting receptacle of small, medium, and large shell sizes with applicable EMI backshells.
- d. One wall mounting receptacle with applicable conductive finish in small, medium, and large shell sizes, less coupling pins and inserts. These connectors must intermate with samples provided under 4.3.1c.
- e. Ten mating pairs, straight plugs and wall mounting receptacles, of a medium shell size, in any representative insert and shell size arrangement.
- f. Ten straight plugs and wall mounting receptacles of various representative shell sizes and insert arrangements.
- g. Sufficient, mating connectors, plugs, and wall mounting receptacles, in representative shell sizes, to provide a minimum of 21 contact cavities of each applicable contact size.
- h. Sufficient hermetic receptacles to provide the following quantities of pin contacts:

Size	Quantity
22D	65
20,16	50
12	35

- i. For each shell size one mating pair of series II and one mating pair of series I, III, and IV, will be supplied with environmental backshells in accordance with MIL-C-85049 category 2B for each shell size. Connectors shall be supplied in maximum density contact arrangements with pin contacts in the receptacles.
- j. One mating pair of classes K and S receptacle and classes K and S straight plug of each of the nine shell sizes. Three shell sizes shall be service M, three shall be service I, and three shall be service II. Each arrangement in a given shell size shall be the densest contact arrangement for that particular service rating. All samples shall be provided with applicable MIL-C-85049 straight strain relief clamps.
- k. One mating pair of series I, III, and IV straight plug and receptacle of each of the nine shell sizes. Each arrangement in a given shell size shall be the densest contact arrangement for that particular service rating.
- m. Two bonded insert grommet assemblies and two bonded insert interface seal assemblies which have not been assembled into the connector shell shall be tested. The assemblies shall be of the size and contact arrangement for which qualification is to be conducted. (See ASTM E 595-84 for sample size for thermal vacuum outgassing test).
- n. One mating pair of unplated class J or M connectors (less inserts) in each shell size range (small, medium and large).

4.3.1.1 Sample size (limited qualification). Manufacturers that do not intend to qualify all nine shell sizes in all series or all contact sizes shall provide the following test samples instead of those specified in 4.3.1a and 4.3.1b. Four mating pairs of each shell in each series or contact size to be qualified. The maximum number of connectors that will be tested is 36. Future qualification of additional shell or contact sizes will require qualification as determined by the qualifying activity.

4.3.2 Preparation of samples. Except as otherwise specified for shielded contacts, wiring of crimp-type contacts shall be accomplished using tools conforming to MIL-DTL-22520, class I. The length of stripped portion of conductor shall be at least long enough to reach the bottom of the crimp barrel, but shall not be so long that more than .031 inch (0.79 mm) of conductor is exposed at end of barrel when conductor end touches bottom of barrel. An alternate sample preparation may be used with the approval of the qualifying activity.

- a. Samples provided under 4.3.1a shall be wired with wire having a smooth extruded outer jacket of waterproof construction. One sample of each shell size for series II, and two samples of each shell size for series I, III, and IV, shall have wires for maximum diameter and the other samples shall have wires for minimum diameter. See table XII for example of wires that can be used to accomplish the required minimum and maximum diameter. Two cavities of each sample provided shall contain unwired contacts and sealing plugs in accordance with MS27488, MIL-C-85049/80 or /81, as applicable. Connectors with less than four contacts of a given contact size will not have sealing plugs installed for that contact size. Box mount connectors may be potted at any convenient stage in the test prior to altitude immersion in group 1 and humidity in group 2.

TABLE XII. Test wire sizes. 1/

Contact size	Example of wire to accomplish Maximum diameter	Example of wire to accomplish Minimum diameter
22 <u>2</u> /, 22D, and 22M <u>2</u> /	M22759/9 or /20 -24 M22759/10 or /21 -24	M22759/18, /19, /32, /33 -26 M22759/44, /45, /46 -26
20	M22759/7 -20 M22759/8 -20	M22759/18, /19, /32, /33 -22 M22759/44, /45, /46 -22 M22759/11, /12, /13, /14 -24 M22759/22, /23
16	M22759/3, /4, /7, or /8 -16	M22759/18, /19, /32, /45 -16
12	M22759/7 -12 M22759/8 -12	M81381/7 or /8 -12 M81381/11 or /12
10	M22759/7 -10 M22759/8 -10	M22759/11 -10
8 coax	MIL-C-17/95-RG180	MIL-C-17/95-RG-180
8 twinax	MIL-C-17/176-00002	MIL-C-17/176-00002

1/ High-strength wire is recommended for use on vibration samples.

2/ Inactive for new design.

- b. Samples provided under 4.3.1b shall be wired with the wire size specified in table VI and potted at any convenient stage in the sequence prior to vibration. Example of wires that can be used are MIL-W-22759/9 or MIL-DTL-81381/7.
- c. Samples provided under 4.3.1e and 4.3.1k shall be wired with wire of nominal gauge, except size 22 contacts shall be wired with 24 gauge wire. Examples of wires that can be used are MIL-W-22759/9 or MIL-DTL-81381/7

- d. Samples provided under 4.3.1g shall be wired with wire of nominal gauge, except size 22 contacts shall be wired with 24 gauge wire.. Example of wires that can be used are MIL-W-22759/9 or MIL-DTL-81381/7
- e. Samples provided under 4.3.1i, all series II samples, and one each size series I, III, and IV shall be wired with wire of nominal gauge. Examples of wires that can be used are MIL-W-22759/9 or MIL-DTL-81381/7. When hermetic receptacles are required, they shall be wired with wires of nominal gauge. Examples of wires that can be used are MIL-W-22759/9 or MIL-DTL-81381/7.
- f. Samples provided under 4.3.1j shall be wired with wire of suitable gauge see MIL-W-25038/3 for example. To facilitate wiring, the glass braid may be stripped back so that it is flush with the back of the grommet.

#### 4.3.3 Qualification tests.

- a. Samples provided under 4.3.1a shall be divided into two similar groups. One group shall be subjected to the tests of group 1, table VII, in the sequence indicated. The other group shall be subjected to the tests of group 2, table VII, in the sequence indicated.
- b. Samples provided under 4.3.1b shall be divided into two similar groups. One group shall be subjected to the tests of group 1, table VII, in the sequence indicated. The other group shall be subjected to the tests of group 3, table VII, in the sequence indicated.
- c. Samples provided under 4.3.1c shall be subjected to the test of group 4, table VII, in the sequence indicated (except for receptacles for shell spring finger forces, 4.3.1d and 4.3.3d).
- d. Samples provided under 4.3.1d shall serve as counterparts for the tests of 4.5.26 in group 4, table VII.
- e. Samples provided under 4.3.1e shall be subjected to the tests of group 5, table VII, in the sequence indicated.
- f. Samples provided under 4.3.1f shall be subjected to the tests of group 6, table VII, in the sequence indicated.
- g. Samples provided under 4.3.1g shall be subjected to the tests of group 7, table VII, in the sequence indicated.
- h. Samples provided under 4.3.1h shall be subjected to the tests of group 8, table VII, in the sequence indicated.
- i. Samples provided under 4.3.1i shall be subjected to the tests of group 9, table VII, in the sequence indicated.
- j. Samples provided under 4.3.1j shall be subjected to the tests of group 10, table VII, in the sequence indicated.
- k. Samples provided under 4.3.1k shall be subjected to the tests of group 11, table VII, in the sequence indicated.
- m. Samples provided under 4.3.1m shall be subjected to the tests of group 12, table VII, in the sequence indicated.
- n. Samples provided under 4.3.1n shall be subjected to the tests of group 13, table VII, in the sequence indicated.

4.3.3.1 Failures. One or more failures shall be cause for refusal to grant qualification.

4.3.4 Retention of qualification. To retain qualification, the contractor shall verify in coordination with the qualifying activity the capability of manufacturing products which meet the performance requirements of this specification. Refer to the qualifying activity for the guidelines necessary to retain qualification to this particular specification. The contractor shall immediately notify the qualifying activity at any time that the inspection data indicates failure of the qualified product to meet the performance requirements of this specification.

4.4 Conformance inspection.

4.4.1 Inspection of product for delivery. Inspection of product for delivery shall consist of groups A and B inspections. The documentation requirements of the applicable military or industry test procedures do not apply.

4.4.1.1 Group A inspection. Group A inspection shall consist of the inspections specified in table XIII.

4.4.1.1.1 Visual examination (group A inspection). Each connector and accessory shall be visually examined for completeness, workmanship, and identification requirements. Attention shall be given to those assemblies that require a gasket to determine the condition of the gasket. Gaskets missing, twisted, buckled, kinked, or damaged in any way shall be cause for rejection. Each connector (except hermetics) shall be visually inspected for the presence of filler compound in the cavity between wire termination end of insert and shell.

4.4.1.1.2 Critical examinations (group A inspection). The following dimensions and features shown on the pertinent military standard are considered critical.

- a. Mating diameters H and W for series I, II, and III; LL, L and MM for series IV of figures 1, 2, 3, and 7 (maximum on plugs, minimum on receptacles).
- b. Key or keyway positions.
- c. Contact pattern relative to datum features (hermetics only).
- d. Registration of grommet and insert markings. (Hole pattern between the grommet and the front face of the insert.)

TABLE XIII. Group A inspection. 1/

Inspection	Requirement paragraph	Test paragraph
Visual inspection 2/ -----	3.1, 3.3, 3.4, 3.5, 3.43, and 3.4	4.4.1.1.1
Critical examination 2/ 3/ -----	3.1	4.4.1.1.2
Insulation resistance at ambient temperature 2/ 3/ 4/ ----	3.13.1	4.5.9.1
Dielectric withstanding voltage at sea level 2/ 3/ 4/ -----	3.14	4.5.10.1
Air leakage (hermetics only) 2/ 3/ -----	3.9	4.5.5

1/ Contacts shipped with connectors other than hermetics shall be from lots that have met the requirements of MIL-C-39029.

2/ 100-percent inspection.

3/ The contractor may use in-process controls for this requirement.

4/ Test between two adjacent contacts and between two peripheral contacts and the shell.



4.4.1.2 Group B inspection. Group B inspection shall consist of the inspections specified in table XIV in the order shown and shall be made on sample units which have been subjected to and have passed the group A inspection.

TABLE XIV. Group B inspection.

Inspection	Requirement paragraph	Test paragraph	Number of samples
Visual and mechanical examination <u>1/</u> -----	3.1, 3.3, 3.4 3.5, 3.43, and 3.44	4.5.1	As specified in table XV
Temperature cycling (classes J and M) <u>1/</u> <u>2/</u> -----	3.8	4.5.4	
Contact engaging and separating forces (hermetic sockets only) <u>1/</u>	3.41	4.5.37	
Shell spring finger forces (plugs with spring fingers only) <u>1/</u> <u>2/</u> -----	3.30	4.5.26	

1/ The contractor may use in-process controls for this requirement.

2/ Test five pieces. No failures permitted.

4.4.1.2.1 Sampling plan (group B inspection). A sample size shall be randomly selected in accordance with table XV. If one or more defects are found the lot shall be rescreened and defects removed. If one or more defects were found a new sample in accordance with table XV shall then be randomly selected. If one or more defects are found in the second sample the lot shall not be supplied to this specification.

TABLE XV. Sampling plan.

Lot size	Sample size
1 to 13	100 percent
14 to 150	13 units
151 to 280	20 units
281 to 500	29 units
501 to 1,200	34 units
1,201 to 3,200	42 units

4.4.1.2.2 Lot definition (group B inspection). The production lot definition is further defined as follows:

- a. A production lot consists of all connectors covered under one military specification or standard, manufactured from the specified raw materials, processed under the same specification and procedures, produced by the same type of equipment, and submitted for inspection at one time. Each production lot of assembled connectors shall be a group identified by a common manufacturing record through all significant assembly operations.
- b. Traceability of connectors to specific physical/chemical test reports of incoming raw material is not required.
- c. Common manufacturing records and traceability shall begin with the start of connector assembly.

4.4.1.2.3 Disposition of sample units. Sample units which have passed all of group B inspection may be delivered on the contract or purchase order if the lot is accepted and the sample units are still within specified tolerances.

4.4.2 Periodic inspection. Periodic inspection shall consist of group C inspection. Except where the results of this inspection show noncompliance with the applicable requirements (see 4.4.2.1.5), delivery of products which have passed groups A and B inspections shall not be delayed pending the results of this periodic inspection.

4.4.2.1 Group C inspection (periodic tests). Periodic tests shall be performed on a 12-month and 24-month basis, beginning with the 12-month periodic test, which must be accomplished within this period after notification of qualification and alternating thereafter with the 24-month periodic test. Samples submitted to either of these periodic tests shall have passed groups A and B inspections

4.4.2.1.1 Twelve-month periodic test. The following tests shall be performed as follows (At the discretion of the qualifying agency an alternate test sequence may be performed):

- a. On two mating connectors in -35 arrangement of the largest shell size in regular production during that period - Humidity in accordance with 4.5.25.
- b. On one mating pair of connectors, except hermetics, of any representative shell size for each contact size qualified and arrangement - high temperature exposure with contact loading in accordance with 4.5.33 except that the time period shall be 250 hours.
- c. On two mating connectors of any representative size and arrangement, one pair being subjected to each of the specified fluids - fluid immersion in accordance with 4.5.29 except that the fluids shall be:
  - (1) MIL-DTL-5624, JP-5,
  - (2) Hydraulic fluid (M2-V Chevron Oil, or equivalent).
- d. On one receptacle shell and plug shell (with coupling nut) of any small and large shell size of each finish style qualified conduct the salt spray test of 4.5.12.

4.4.2.1.2 Twenty-four month periodic tests. Every 24 months, mating connector sample units shall be selected and tested in accordance with the following (At the discretion of the qualifying agency an alternate test sequence may be performed).

- a. For each series qualified, two mating plugs and receptacles from each shell size range and having each service rating represented shall be provided. The three shell size ranges are small (sizes 8 through 13), medium (sizes 14 through 19), and large (sizes 20 through 25). One mating pair from each shell size range shall be fully wired with the applicable wire listed in table XII maximum diameter and subjected to the applicable tests of table VII, group 1. The remaining samples shall be fully wired with the applicable wire listed in table XII minimum diameter and subjected to the applicable tests of table VII, group 2.
- b. On one receptacle shell and plug shell (with coupling nut) of any small and large shell size of each finish style qualified conduct the salt spray test of 4.5.12.
- c. Two mating plugs and hermetic receptacles in each series shall be provided. These samples shall include at least three shell sizes, small (sizes 8 through 13), medium (sizes 14 through 19), and large (sizes 20 through 25) manufactured during the period, and all three service ratings. One mating sample of each configuration shall be fully wired per 4.3.2b and subjected to the applicable tests of table VII, group 1. The remaining samples shall be fully wired in accordance with 4.3.2 and subjected to the applicable test of table VII, group 3.
- d. Sufficient hermetic receptacles shall be provided to furnish a minimum of 50 socket contacts of each mating end size. Mating plugs with pin contacts shall be provided to furnish mating pins. These samples shall be fully wired with wire specified in Table VI and subjected to the tests of table VII, group 8. Examples of wires that can be used are MIL-W-22759 or MIL-DTL-81381.

4.4.2.1.3 Failures. If one or more sample units fail to pass group C inspection, the sample shall be considered to have failed.

4.4.2.1.4 Disposition of sample units. Sample units which have been subjected to group C inspection shall not be delivered on the contract or purchase order.

4.4.2.1.5 Noncompliance. If a sample fails to pass group C inspection, the manufacturer shall take corrective action on the materials or processes or both, as warranted, and on all units of product which are to be corrected and which were manufactured with essentially the same materials and processes, and which are considered subject to the same failure. Acceptance and shipment of the product shall be discontinued until corrective action acceptable to the qualifying activity has been taken. After the corrective action has been taken, group C inspection shall be repeated on additional sample units (all inspections, or the inspection which the original sample failed, at the option of the qualifying activity). Groups A and B inspections may be reinstated; however, final acceptance shall be withheld until the group C reinspection has shown that corrective action was successful. In the event of failure after reinspection, information concerning the failure shall be furnished to the cognizant inspection activity and the qualifying activity.

4.4.3 Failures of groups A, B, or C. Lots which fail groups A, B, or C and are not resubmitted for testing or failed resubmission shall not be shipped and the "JAN" marking shall be removed within 30 days.

#### 4.5 Methods of inspection.

##### 4.5.1 Visual and mechanical examination.

4.5.1.1 Connectors. The connectors, accessories, and piece parts shall be visually and mechanically examined to ensure conformance with the specification and the applicable military standards (see 3.1, 3.3, 3.4, 3.5, 3.43, and 3.44). The contractor may use in-process controls to satisfy these requirements.

4.5.1.2 Contacts (hermetics only). The contacts shall be visually examined for mechanical defects (see 3.1, 3.3, 3.4, 3.5, and 3.44). The contacts shall be inspected through a device having a magnification power of approximately three diameters. The contractor may use in-process controls to satisfy these requirements.

4.5.1.3 Test methods. The following identified tests and methods assure connector integrity within typical operating conditions and applications. Alternate commercial industry standard test methods are allowed when determined to provide equivalent results; however when an alternate method is used, the qualifying activity must be notified prior to the performance of the test. The test methods described herein are proven methods and shall be the referee methods in case of dispute.

4.5.2 Maintenance aging (except hermetics) (see 3.6). Connectors shall be tested in accordance with method 2002 of MIL-STD-1344. The following detail shall apply: Installing/removal tool shall be in accordance with MIL-I-81969/8 and MIL-I-81969/14. A minimum of 20 percent, but not less than three contacts of each connector shall be tested. Fifty percent of maintenance aging shall be performed with MIL-I-81969/8 tools and fifty percent with MIL-I-81969/14 tools. There shall be no lubricant used during this test.

4.5.3 Thermal shock (hermetics only) (see 3.7). Unmated receptacles shall be subjected to 10 cycles of thermal shock in the following manner:

- a. Step 1. The receptacle shall be suspended for 10 +1, -0 minutes in the center of a cold water bath with a volume of approximately 1 cubic foot. No dimension of the bath shall be less than 10 inches (254.0 mm). The water temperature shall not exceed +4°C.
- b. Step 2. The receptacle shall be suspended for 10 +1, -0 minutes in the center of a hot water bath with a volume of approximately 1 cubic foot. No dimension of the bath shall be less than 10 inches (254.0 mm). The water temperature shall not be less than +90°C.

The time of transfer from one bath to the other shall not exceed 5 seconds. At the end of the 10th cycle, the receptacle shall have the excess moisture shaken off and then be dried in a forced air oven at  $66^{\circ}\text{C} \pm 5^{\circ}\text{C}$  for  $15 \pm 1$  minutes.

4.5.4 Temperature cycling (all classes except hermetics) (see 3.8). Mated connectors shall be subjected to the temperature cycling of MIL-STD-1344 method 1003, test condition A, except that steps 2 and 4 shall be of 2 minutes maximum duration. The temperature of step 1 shall be  $-65^{\circ}\text{C} + 0^{\circ}\text{C}$ ,  $-5^{\circ}\text{C}$ , and the temperature of step 3 shall be  $150^{\circ}\text{C}$  for finishes A and U of series I and II,  $175^{\circ}\text{C}$  for finishes B and X of series I and II and classes W, X and J of series III and IV, and  $+200^{\circ}\text{C}$  for all other finishes and classes.

4.5.5 Air leakage (hermetics only) (see 3.9). The connector shall be subjected to method 1008 of MIL-STD-1344. Pressure differential across the connector shall be 1 atmosphere.

4.5.6 Coupling torque (see 3.10). For qualification testing, mating halves shall be coupled and uncoupled; the axial mating force (series IV) and the torque which must be applied to facilitate full coupling and uncoupling shall be measured and recorded.

4.5.7 Durability (see 3.11). The wired, assembled plugs, and receptacles shall be mated and unmated 250 cycles for series II with spring fingers and lanyard release plugs, 1500 cycles for classes J and M (contacts may be changed after 500 cycles when contact styles P or S are used). Five hundred cycles for all other connectors, at a rate of 300 cycles per hour maximum. The mating and unmating shall be accomplished so that the plug and receptacle are completely separated during each cycle.

4.5.8 Altitude immersion (except hermetics) (see 3.12). Mated connectors shall be tested in accordance with method 1004 of MIL-STD-1344. The following details shall apply:

- a. All wire ends shall be located within the chamber and exposed to the chamber atmosphere but not submerged or sealed.
- b. At the end of the third cycle while the connectors are still submerged in the solution, the insulation resistance at ambient temperature, shall be measured as specified in 4.5.9.1 and the dielectric withstanding voltage test shall be performed as specified in 4.5.10.1.

4.5.9 Insulation resistance.

4.5.9.1 Insulation resistance at ambient temperature (see 3.13.1). Unmated connectors shall be tested as specified in method 3003 of MIL-STD-1344. The following details and exceptions apply:

- a. For lot acceptance testing, where it is undesirable to install actual contacts in connectors, simulated contacts and special techniques may be used in performing this test.
- b. The tolerance on the applied voltage shall be  $\pm 10$  percent.
- c. Connectors shall be mated when testing after altitude immersion, humidity and altitude low temperature.

4.5.9.2 Insulation resistance at elevated temperature (see 3.13.2). Unmated connectors shall be tested as specified in method 3003 of MIL-STD-1344. The following details and exceptions shall apply:

- a. The tolerance on the applied voltage shall be  $\pm 10$  percent.
- b. Applicable elevated temperature for 30 minutes:

- (1) Series I and II: Finishes A, D and U: 150°C +5°C, -0°C; B and X: 175°C +5°C, -0°C; C, E, F, N and R: 200°C +5°C, -0°C.
- (2) Series III and IV: Classes J and W: 175°C +5°C, -0°C; C, F, G, H, K, N, M, R, S, X and Y: 200°C +5°C, -0°C.

c. Measurements shall be made while the connectors are still in the chamber at the specified temperature.

4.5.10 Dielectric withstanding voltage (see 3.14).

4.5.10.1 Dielectric withstanding voltage at sea level. Wired, unmated connectors shall be tested in accordance with method 3001 of MIL-STD-1344. Connectors shall be mated when testing after altitude immersion, humidity, and altitude low temperature. The following details and exceptions apply:

- a. The magnitude of the test voltage shall be as specified in table I (see MIL-STD-1560 for service rating).
- b. Fifty percent of the contacts available shall be tested, but in no case shall less than six dielectric withstanding voltage readings be taken. If the number of contacts is three or less, all contacts shall be tested. The test voltage shall be applied between each wired contact, and each adjacent contact, and the shell.
- c. The test voltage shall be maintained at the specified value for 2 seconds minimum.
- d. For quality conformance, simulated contacts and special techniques may be used in performing this test.

4.5.10.2 Dielectric withstanding voltage at altitude. Mated connectors and unmated connector halves with pin contacts shall be tested in accordance with method 3001 of MIL-STD-1344 with the following details and exceptions:

- a. The magnitude of the test voltage shall be as specified in table I.
- b. Fifty percent of the contacts available shall be tested, but in no case shall less than six dielectric withstanding voltage readings be taken. If the number of contacts is three or less, all contacts shall be tested. The test voltage shall be applied between each wired contact and each adjacent contact and the shell.
- c. The test voltage shall be maintained at the specified value for 2 seconds minimum.
- d. The leads of all test circuits shall be brought out through the walls of the chamber. There shall be no wire splices inside the chamber. The wire ends of all leads shall be unsealed.
- e. Only the engaging faces of hermetics and box mounting receptacle connectors shall be subjected to the high altitude. The rear face shall be suitably protected.
- f. The chamber shall be evacuated to each of the specified altitude pressure equivalents listed below.

<u>Altitude</u>	<u>Equivalent pressure</u>
50,000 feet	87 torr
70,000 feet	33 torr
100,000 feet	8 torr

4.5.11 Insert retention (see 3.15). Unmated connectors shall be tested in accordance with method 2010 of MIL-STD-1344 with the following details and exceptions:

- a. Force to be applied: 100 ±5 pounds per square inch with a 25 pounds minimum force.
- b. Connectors may be wired.

4.5.12 Salt spray (corrosion) (see 3.16).

4.5.12.1 Standard test (series I and II, finishes A, D, F, N, U and R; series III and IV, classes F, G, N, and R). Unmated connectors shall be tested in accordance with method 1001 of MIL-STD-1344. The following details and exceptions shall apply:

- a. Test condition letter B, except series I and II, finish D is for 24 hours.
- b. Test condition letter A for classes U and R.
- c. The samples shall not be mounted but shall be suspended from the top of the chamber using waxed twine or string, glass rods, or glass cord.
- d. Wire ends must be protected to prevent salt migration.

4.5.12.2 Dynamic test (series I and II, finishes B, C, E, and X; and series III and IV, classes C, H, J, K, M, S, W, X and Y). The wired, assembled plugs and receptacles shall be mated and unmated 50 cycles at a rate of 300 cycles per hour maximum. The mating and unmating shall be accomplished so that the plug and receptacle are completely separated during each cycle. The connectors shall then be subjected to the salt spray test in accordance with method 1001 of MIL-STD-1344. The following details and exceptions apply:

- a. The connectors (series I and II, finishes B, C, and E; and series III and IV, classes C, H, K, W, and Y) shall be tested for 452 hours mated followed by 48 hours unmated. The connectors (all series, class X) shall be tested for 952 hours mated followed by 48 hours unmated. For initial qualification, the connectors (series III and IV, classes J and M), shall be subjected to 50 cycles durability followed by 1952 hours salt spray mated, then 48 hours salt spray unmated followed by 1450 cycles durability. For periodic inspection, the connectors (series III and IV, classes J and M) shall be tested 452 hours mated followed by 48 hours unmated.
- b. The connectors shall not be mounted but shall be suspended from the top of the chamber using waxed twine or string, glass rods, or glass cord.
- c. Wire ends must be protected to prevent salt migration.

After the salt spray exposure the remaining number of durability cycles specified in 4.5.7 shall be completed.

4.5.13 Contact resistance (hermetics with sockets only) (see 3.17). Contacts of mated connectors shall be tested in accordance with method 3004 of MIL-STD-1344.

4.5.14 Electrical engagement (see 3.18). Counterpart plugs and receptacles shall be wired so it provides a complete series circuit through all contacts of the mated connector. A suitable power source and indicator shall be provided such that the earliest point at which the circuit is completed, during normal connector mating, can be established. Connector halves shall be slowly mated by the normal mating means until first indication of a completed circuit is observed. Means shall be provided to assure that electrical contact is made between the pin and the spring of the socket contact, rather than the hood of the socket contact. The mating operation shall be held at this point and the overall connector length shall be

measured from solid reference points on the connector halves. The mating operation shall then be continued until the connector halves are in the completely mated position. A second overall length measurement shall then be taken from the same reference points. The difference of these two measurements shall be not less than specified in 3.18. Both the outer shield and inner conductor circuits shall be included in the test of shielded contacts.

4.5.15 External bending moment (see 3.19). The receptacle connector shall be mounted as in normal service to a rigid panel. Before mating the plug connector to the receptacle, an adapter or test torque arm shall be attached as shown on figure 22. After mating the plug and receptacle connectors, the distance "L" from the point of load application "P" to the mounting panel shall be determined. The load to be applied at point "P" shall then be determined as the bending moment listed in table XVI divided by the level arm "L". This load shall be applied at a rate of approximately 10 pounds per second until the required load is achieved. The applied load shall be held for 1 minute, then the load shall be released. Continuity of the contacts shall be monitored during the test. The test circuit used to monitor this shall be capable of detecting a discontinuity in excess of 1 microsecond.

TABLE XVI. External bending moment.

Series I		Series II		Series III		Series IV	
Size	Pound inches	Size	Pound inches	Size	Newton meters	Size	Newton meters
9	75	8	50	9	11.3	9	---
11	230	10	75	11	33.9	11	26.0
13	310	12	75	13	45.2	13	35.0
15	380	14	100	15	56.5	15	42.9
17	450	16	125	17	67.8	17	50.9
19	500	18	125	19	79.1	19	56.5
21	530	20	125	21	90.4	21	59.9
23	650	22	125	23	101.7	23	73.5
25	650	24	150	25	113.0	25	73.5

4.5.16 Coupling pin strength (series I and II only (see 3.20)). One coupling pin in each receptacle shall be subjected to 50 +5, pounds load applied to the swaged end along the major axis of the coupling on swaged pins, and perpendicular to the pin centerline on the exposed portion of welded or brazed pins. A steel test tip shall be used for application of the load on swaged pins. A steel test fixture contoured to the shape of the coupling pin shall be used for application of the load on the welded or brazed pins.

4.5.17 Gauge location (see 3.21). Applicable test gauges, conforming to figures 16, 17, 18, and 19 shall be installed in three randomly selected cavities in each connector, with the accessory rear hardware removed. With each test gauge fully seated back against its contact retention device, the axial location of the front end of each gauge shall be measured relative to the reference point indicated on figures 1, 2, 3, and 4, as applicable. The test shall be repeated on pin assemblies using gauges conforming to figure 17 and seating them forward in the contact cavity.

4.5.18 Gauge retention (see 3.22). Applicable test gauges, conforming to figures 16, 20, and 21 shall be installed in three randomly selected cavities in each connector, with the accessory rear hardware removed. The axial load specified in 4.5.19 shall be applied to individual test gauges in both directions. The load shall be applied at a rate of approximately 1 pound per second until the specified load has been reached. Gauge displacement shall be measured with respect to the connector shell after an initial load of 2 pounds has been applied to assure that all slack has been taken up.

4.5.19 Contact retention (see 3.23). Unless otherwise specified, contacts shall be tested to procedures I and II.

4.5.19.1 Procedure I. The contact retention shall be tested as specified in method 2007 of MIL-STD-1344. The following details and exceptions shall apply:

- a. Number of samples - The test shall be performed on 20 percent of the contact complement; but not less than three contacts in each connector half.
- b. Applied axial load - Preload to 3 pounds maximum, (13.6 newtons). Apply load as specified in table XVII.
- c. Special requirements - Where the test sequence required maintenance aging prior to contact retention, the contacts which were subjected to maintenance aging shall also be selected for contact retention.
- d. Axial direction - The applicable forces shall be applied along the longitudinal axis of individual contacts in the direction tending to displace the contacts to the rear.
- e. Only the contacts to be tested need be installed in the connector.

4.5.19.2 Procedure II. The contact retention shall be tested as specified in method 2007 of MIL-STD-1344. The following details and exceptions shall apply:

- a. 4.5.19.1a through 4.5.19.1c apply.
- b. Axial direction - Same as 4.5.19.1d, except the direction shall tend to displace the contacts to the front.
- c. Only the contacts to be tested need be installed in the connector.

TABLE XVII. Contact retention.

Contact	Load ±10 percent	
	Pounds	Newtons
22 <sup>1/</sup> , 22D, 22M <sup>1/</sup>	10	44
20	15	67
16	25	111
12	25	111
8	25	111
10	25	111
8 Triax	25	111

<sup>1/</sup> Inactive for new design.

4.5.20 Altitude-low temperature (see 3.24). Wired, mated, assembled connectors shall be subjected to the test specified in method 1011 of MIL-STD-1344. The following details apply:

- a. No wire ends or splices inside the chamber.
- b. Dielectric withstanding voltage test to be performed after return to ambient conditions shall be in accordance with 4.5.10.1.
- c. Insulation resistance test to be performed at 100,000 feet at -65°C and shall be in accordance with 4.5.9.1.

4.5.21 Accessory thread strength (see 3.25). The mated connector shall be mounted as in normal service to a rigid panel. The torque wrench shall be attached as shown on figure 23. After mating the plug and receptacle connectors, a torque shall be applied to the accessory end of the plug at a rate of approximately 10 pounds-inches per second until the required torque is achieved. The applied load shall be held for 1 minute, then the load shall be released. The test shall then be repeated on the accessory end of the receptacle.



4.5.22 Vibration (qualification only) (see 3.26). Wired and mated connectors shall be subjected to the applicable test(s) specified. Connectors shall be mounted on the vibration table by normal means. All contacts shall carry a test current of 100 milliamperes maximum and shall be continuously monitored for discontinuities throughout the test. A detector capable of detecting any discontinuities in excess of 1 microsecond shall be used. All series I and II connectors shall have the wire bundles clamped to fixed points at least 8 inches (203.2 mm) behind the connector. All series I, III, and IV plugs shall have an accessory load fixture in accordance with figure 24 attached during vibration.

4.5.22.1 Random vibration (series II). Connectors shall be subjected to the test specified in method 2005 of MIL-STD-1344. The following details shall apply:

- a. Test condition VI, letter "J", except class Y shall be tested to letter "G".
- b. Duration shall be 8 hours in the longitudinal direction and 8 hours in a perpendicular direction for a total of 16 hours.
- c. Means may be provided to relieve hermetic solder termination's, and jumper wires may be used between contacts.

4.5.22.2 Vibration (series I, III, and IV). Connector samples shall be divided equally and subjected to vibration as indicated:

- a. Series I:  
Sine vibration (see 4.5.22.2.2).  
Random vibration (see 4.5.22.2.3).  
Random vibration (see 4.5.22.2.4).
- b. Series III:  
Sine vibration (see 4.5.22.2.1).  
Random vibration (see 4.5.22.2.3).  
Random vibration (see 4.5.22.2.4).
- c. Series IV:  
Sine vibration (see 4.5.22.2.2).  
Random vibration (see 4.5.22.2.3).  
Random vibration (see 4.5.22.2.4).

Means may be provided to relieve hermetic solder termination's, and jumper wires may be used between contacts.

4.5.22.2.1 Sine vibration (series III). Connector samples shall be subjected to a simple harmonic motion from 10 to 2,000 Hz in each of three mutually perpendicular axes. The level of vibration shall be a velocity of 254 mm/sec from 10-50 Hz; 1.5 mm double amplitude from 50-140 Hz, and 60 G from 140-2,000 Hz. The entire frequency range from 10-2,000 Hz and back shall be traversed in 20 minutes. The vibration shall be applied for a duration of 12 hours in each of the three mutually perpendicular axes for a total of 36 hours. Each axis of vibration shall be accomplished by vibrating for 4 hours at ambient room temperature, 4 hours at  $-55^{\circ}\text{C} \pm 5^{\circ}\text{C}$ , and 4 hours at  $+175^{\circ}\text{C} \pm 5^{\circ}\text{C}$  for classes J, X and W, and  $200^{\circ}\text{C} \pm 5^{\circ}\text{C}$  for classes C, F, G, H, K, N, M, R, S, and Y.

4.5.22.2.2 Sine vibration (series I and IV). Connectors shall be subjected to the test specified in method 204, test condition G, of MIL-STD-202.

4.5.22.2.3 Random vibration (series I, III, and IV). Connectors shall be subjected to the test specified in method 2005 of MIL-STD-1344. The following details shall apply:

- a. Test condition VI - Letter "J". Series III at elevated temperature and series I and IV at ambient temperature.

b. Vibration to be at the following temperatures:

(1) Series III, classes J, W and X:  $175^{\circ}\text{C} \pm 5^{\circ}\text{C}$ , classes C, F, G, H, K, N, P, M, R, S, and Y:  $200^{\circ}\text{C} \pm 5^{\circ}\text{C}$ .

(2) Series IV: Ambient temperature.

c. Duration shall be 8 hours in the longitudinal direction and 8 hours in a perpendicular direction for a total of 16 hours for classes C, E, F, G, J, K, N, P, M, R, S, T, W and X. Duration shall be 4 hours in the longitudinal direction and 4 hours in a perpendicular direction for a total of 8 hours for classes H, Y, and N hermetic receptacles.

4.5.22.2.4 Random vibration (series I, III, and IV). Connectors shall be subjected to the test specified in method 2005 of MIL-STD-1344. The following details shall apply:

a. Test condition V - Using the vibration envelope shown on figure 25. (Derived from zone 2, outlined in Aerospace Information Report AIR 1557.)

b. Vibration to be conducted at ambient temperature.

c. Duration shall be 8 hours in the longitudinal direction and 8 hours in a perpendicular direction for a total of 16 hours.

d. Figure 24 test accessory shall not be required.

4.5.23 Shock (see 3.27). Wired and mated connectors shall be subjected to the applicable test specified. Connectors shall be mounted by normal means and held together by normal coupling means. All contacts shall be wired in a series circuit with 100 milliamperes maximum current flow through the series circuit during shock. Connectors shall be monitored for any discontinuities. A detector capable of detecting all discontinuities in excess of 1 microsecond shall be used.

4.5.23.1 Standard shock (all series). Connectors shall be subjected to the test specified in method 2004 of MIL-STD-1344. The following details shall apply:

a. The pulse shall be an approximate half sine wave of  $300\text{ G} \pm 15$  percent magnitude with a duration of  $3 \pm 1$  milliseconds.

b. The wire bundle shall be clamped to fixed points at least 8 inches (203.2 mm) from the rear of the connector.

4.5.23.2 High-impact shock (series I, III, and IV). Wired and mated connectors shall be subjected to the test specified in MIL-S-901, grade A with the following modifications and additions. Mounting fixture shall be in accordance with MIL-S-901, light weight. The wire bundle shall be supported on a stationary frame in such a manner to provide a free flexing length between the frame and fixture of not less than 36 inches (914.4 mm). Plug shall be terminated with at least 80 percent of wired contacts. The wire bundle shall be provided with a straight, environmental, backshell, category 2B of MIL-C-85049, the longest length available per shell size.

4.5.24 Shell-to-shell conductivity (except finish C and class C) (see 3.28). Mated connectors shall be subjected to the test specified in method 3007 of MIL-STD-1344.

4.5.25 Humidity (see 3.29). Wired, mated connectors shall be subjected to the humidity test specified in method 1002 of MIL-STD-1344. The following details and exceptions shall apply:

a. Test condition letter - Type II.

- b. The mated connectors shall be mounted in a vertical position.
- c. Step 7a shall be performed during the last 5 cycles.
- d. Three hours minimum after the start of step 7a during the final cycle and while the connectors are still subjected to high humidity, the insulation resistance shall be measured when the chamber temperature reaches  $20^{\circ}\text{C} \pm 5^{\circ}\text{C}$  and condensation is observed on the connector.
- e. For qualification testing, insulation resistance readings shall be made on a minimum of 50 percent of the circuits. Outer circuits shall be measured to the connector shell.

4.5.26 Shell spring finger forces (see 3.30). Plugs shall be completely mated and unmated 10 times with counterpart receptacles less coupling pins (if applicable) and inserts. On the mating of the first cycle, the forces necessary to engage the connectors shall be within the values specified in table V. On the unmating of the last cycle, the forces necessary to separate the connectors shall be within the value specified in table V. When measuring the engagement and separation forces, the axial loads shall be applied at a displacement rate of 0.5 inches per minute.

4.5.27 EMI shielding (except finish C and class C) (see 3.31).

4.5.27.1 EMI shielding (from 100 to 1,000 MHz only). The EMI shielding effectiveness of mated connectors with EMI backshells (backshells may be soldered to the connector) shall be measured in a triaxial radio frequency leakage fixture as shown on figure 26. The EMI leakage from the conductor inside the connector in the same inner coaxial line into the outer coaxial line shall be measured at the frequencies specified in table IX within a frequency accuracy of  $\pm 5$  percent. The level of detected signal power shall be indicated by a tunable radio frequency field intensity meter isolated from the test circuit by a 3 to 10 dB pad. Care shall be taken to ensure that the signal is a result of EMI leakage from within the mated connector and not due to a faulty termination inside the fixture. All terminations inside the fixture, whether to the EMI backshells or between internal conductors, shall have a leakage at least 10 dB less than the test requirements. The signal source shall be set to the desired frequency. The signal shall be fed through a 3 to 10 dB isolation pad to a parallel circuit consisting of a coaxial switch (DPDT) so connected that the signal can be manually or electronically fed alternately to the fixture and to a variable 100 dB reference attenuator. The attenuator shall be adjustable in 1 dB steps and calibrated to  $\pm 3$  dB.

- a. The inserts may be removed from the connectors under test or the contacts removed and a hole drilled through the inserts to accommodate a center conductor of suitable geometry to provide a good 50-ohms impedance match with the inside diameter of the mated connector shells and EMI backshells. Tapered transition may be used to provide a means of changing diameters without introducing significant discontinuities in the line. The maximum VSWR in the inner coaxial line shall be 1.5. The outer shell of the test fixture shall be so constructed as to provide a good 50-ohms impedance match with the outside diameter of the mated connector shells, coupling ring, and EMI backshells. The maximum VSWR of the outer coaxial line shall be 1.5.
- b. A sliding circumferential short shall be positioned behind the connector on the signal input end of the fixture to provide for tuning the outer coaxial line for maximum output at each test frequency. The allowable travel of this short shall be greater than  $1/2$  wave length at the lowest test frequency of 1.5 meters minimum for 100 MHz. The inner coaxial line shall be terminated in a fixed 50-ohms load impedance behind the connector at the output end of the fixture.
- c. The connectors used to couple together the various elements of the test system shall be of a low-leakage type which have a nominal impedance of 50 ohms, a VSWR of less than 1.5, and a minimum leakage attenuation of 100 dB. The output impedance of the signal source and the input impedance of the detector shall be nominally 50 ohms with a maximum VSWR of 1.5. The input and output VSWR of the standard attenuator shall be less than 1.5 in the 20 to 100 dB range.

- d. The relative signal level in the variable attenuator shall be equaled to the signal level through the leakage fixture by adjusting the attenuator. The signal loss in the fixture can then be read from the setting on the variable attenuator.

4.5.27.2 EMI shielding (from 1,000 to 10,000 MHz). The EMI shielding effectiveness of mated connectors with EMI backshells shall be measured using the mode-stirred technique specified in method 3008 of MIL-STD-1344.

4.5.28 Ozone exposure (see 3.32). Wired, mated connectors shall be subjected to the test specified in method 1007 of MIL-STD-1344.

4.5.29 Fluid immersion (see 3.33). Connector samples shall be subjected to the test specified in method 1016 of MIL-STD-1344 (one sample per fluid). Following the fluid immersion cycles, the connectors shall be tested for coupling torque as specified in 4.5.6 and dielectric withstanding voltage at sea level as specified in 4.5.10.1 within 3 hours.

4.5.29.1 Retention system fluid immersion (see 3.33.1). Unmated connectors with contacts removed shall be immersed in the fluids listed in method 1016 of MIL-STD-1344 (one sample per fluid) for 2 hours at room temperature. After removal, excess fluid shall drain from the connectors for 4 hours and the contacts reinstalled. Following the test, the connectors shall be subjected to contact retention as specified in 4.5.19.

4.5.30 Pin contact stability (see 3.34). The unmated connectors shall have 10 percent of their pin contacts subjected to this test. Gauge pins conforming dimensionally to figure 16 shall be used. The connector shall be held in a holding device. The forces specified in table X shall be applied to the exposed rod as shown on figure 27. The load shall be applied gradually at a rate not exceeding 1 inch (25.4 mm) per minute. The total pin tip displacement shall be measured as shown on figure 27.

4.5.31 Contact walkout (see 3.35). Two contacts in each plug and receptacle shall be tested. The contacts shall be crimped to stranded steel cable of an appropriate size and installed in the connector. The unmated connector shall be mounted in a test fixture as shown on figure 28. A 3-pound load shall be applied to the cable. One 360° rotation of the fixture with the connector mounted shall constitute one cycle. The connector shall be subjected to 100 cycles at a rate of 10 to 20 cycles per minute.

4.5.32 Installing/removal tool abuse (qualification only) (see 3.36). Five contact cavities in each connector shall be subjected to each of the following tests. Different contact cavities shall be used for each test. Should a tool become damaged during any of the testing, it shall be replaced. Failure of a tool shall not constitute a test failure. Tools shall be used in accordance with MIL-I-81969/14.

4.5.32.1 Removal tool rotation. The tool shall be inserted as if to remove a contact and a total of 3 pounds axial load shall be applied. With the force applied, the tool shall be rotated 180° and then removed also removing the contact. The contact shall be reinserted. The steps shall be repeated three times on each of five contacts selected.

4.5.33 High temperature exposure.

4.5.33.1 High temperature exposure with contact loading (see 3.37.1). Connectors with removable contacts shall have one mating pair of contacts removed from an untested contact cavity and replaced with contacts crimped or otherwise attached to steel cable or steelcored copper wire (copper-weld, or equivalent) of an appropriate size. The axial location of these contacts shall be measured for conformance to the applicable dimensions of figure 1, 2, 3, or 4, as applicable, with a load of approximately 2 pounds applied to seat the contact back against the retention device. The connector shall then be mounted in a fixture equivalent as shown on figure 29. A weight equal to 50 percent of the axial load specified in table XVII for the applicable contact size shall be suspended freely from each steel wire. A current of 100 milliamperes maximum shall be applied to the test contacts and a suitable instrument shall be used to monitor the circuit for discontinuities in excess of 1 microsecond. The mounted connector shall then be

exposed to 150°C for finish A of series I and II, 175°C for finishes B and X of series I and II, and classes J, W and X of series III and IV, and 200°C for all other finishes and classes for 1,000 hours minimum. After the connectors return to ambient temperature, they shall be unmated and the contact locations remeasured with approximately 2 pounds axial load applied to seat the contact back against the retention device.

4.5.33.2 High temperature exposure (series III, except hermetics) (see 3.37.2). Mated connectors shall be subjected to an ambient temperature of 175°C +3°C, -0°C for classes J, X and W, and 200°C +3°C, -0°C for all others. The temperature shall be maintained for 1,000 hours.

4.5.34 Electrolytic erosion (series III and IV) (see 3.38). The wired receptacle half of the connector containing the pin contacts shall be firmly mounted in a vertical position pins facing up. A salt-water solution (5 percent salt by weight) shall be poured onto the pin interface until the solution level just reaches the pin tips. The solution shall remain in the connector for a minimum of 30 seconds and then poured out, lightly shaking excesses from the connector. The counterpart plug shall immediately be mated with the receptacle. One cell pattern, with all contacts adjacent to a central contact at a positive polarity and the center contact at a negative polarity, shall be set up at a location giving the most uniform distribution of contacts adjacent to the center contact. A potential of 60 volts dc shall be applied between the contacts adjacent to the center contact. The contacts shall be energized for 40 hours. Following this, with the voltage disconnected, the connectors shall be unmated and the pin contacts removed (except for hermetics). The contacts shall be examined using 3X magnification for erosion to base metal.

4.5.35 Firewall (classes K and S connectors) (see 3.39). The mated, torqued, and wired connectors shall be subjected to the test specified in method 1009 of MIL-STD-1344. The following detail and exception shall apply:

Wire bundles to be clamped to fixed points at least 8 inches (203.2 mm) behind the connector.

4.5.36 Contact plating thickness (hermetic) (see 3.40). Contact plating thickness shall be measured by any method which will give results within ±10 percent of the true thickness.

4.5.37 Contact engagement and separating force (hermetic sockets only) (see 3.41). Contact engagement and separating force shall be measured as specified in MIL-C-39029.

4.5.38 Resistance to probe damage (hermetic sockets only) (see 3.42). Resistance to probe damage shall be performed as specified in MIL-C-39029 except contacts shall be installed in connector.

4.5.39 Ice resistance series I, III, and IV (see 3.45). Mated connectors shall be immersed in tap water for 1 minute and then placed in an ambience of -65°C for 1 hour. A minimum of three such cycles shall be performed until the connector surfaces are completely iced over. Immediately after removal from the last cycle, the frozen connectors shall be uncoupled and then recoupled. The connectors shall be uncoupled and recoupled a second time with the uncoupling and coupling torque measured in accordance with 4.5.6. The uncoupling and coupling torque shall not be measured on the first uncoupling and recoupling.

4.5.40 Dust (fine sand) series I, III, and IV (see 3.46). Mated connectors shall be subjected to the sand and dust test of method 110 of MIL-STD-202.

4.5.41 Magnetic permeability (see 3.3.4). Connectors shall be tested as specified in method 3006 of MIL-STD-1344.

4.5.42 Post test examination. The tested connectors and contacts shall be examined for compliance with 3.43 and 3.44 to determine the effects of previous testing. Any evidence of cracking, loosening of parts, carbon tracking, excess wear, or missing parts shall be recorded.

4.5.43 Thermal vacuum outgassing (classes G and H qualification only) (see 3.47). All materials used in the finished connector shall be tested in accordance with ASTM E595-84. Samples to be tested shall have been processed in the same manner as that used in production of the qualification lot.

4.5.44 Hydrolytic stability (classes J and M) (see 3.48). Mated connectors less inserts shall be subjected to the following water absorption test (connectors shall be unplated).

4.5.44.1 Hydrolytic stability (initial qualification). The connectors shall be subjected to the test as specified in ASTM D570-81 for long-term immersion.

4.5.44.2 Hydrolytic stability (periodic inspection). The connectors shall be subjected to the test as specified in ASTM D570-81 for boiling water immersion.

4.5.45 Insert bonding integrity (see 3.49). Unmated, unwired connectors shall be subjected to test procedure 79 of EIA-364 .

4.5.46 Impact (classes J and M) (see 3.50). Connector plugs with MIL-C-85049 straight strain relief clamps shall be tested as specified in method 2015 of MIL-STD-1344. The following conditions apply.

- a. Drop height shall be 4 feet (1.829).
- b. Number of drops shall be 8.
- c. Plate shall be indexed at 36° intervals.
- d. Plugs shall have no caps or covers installed.

4.5.47 Cavity to cavity insert bonding integrity (see 3.51). Unmated, unwired connectors shall be subjected to test procedure 78 of EIA-364 .

## 5. PACKAGING

5.1 Packaging. For acquisition purposes, the packaging requirements shall be as specified in the contract or order (see 6.2). When actual packaging of a materiel is to be performed by DoD personnel, these personnel need to contact the responsible packaging activity to ascertain requisite packaging requirements. Packaging requirements are maintained by the Inventory Control Point's packaging activity within the Military Department or Defense Agency, or within the Military Department's System Command. Packaging data retrieval is available from the managing Military Department's or Defense Agency's automated packaging files, CD-ROM products, or by contacting the responsible packaging activity.

## 6. NOTES

(This section contains information of a general or explanatory nature that may be helpful, but is not mandatory.)

6.1 Intended use. The various configurations of the connectors are intended for use as follows:

- a. Series I connectors: General application within weapon system where a quick disconnect coupling system is required for blind mating or other mating problem areas. These connectors provide high-vibration characteristics and are suitable for severe wind and moisture problem (SWAMP) areas with proper connector accessories.

Class G, finish F - Provides a conductive shell for EMI considerations but with additional requirements for space grade applications.

Class H - Same as class Y but with additional requirements for space grade applications.

Class T, finish F - Provides a conductive shell for EMI considerations.

Class Y - Applications where pressure must be maintained.

Classes R, U and X - Applications requiring high corrosion resistance.

b. Series II connectors: General application within weapon systems which are not subjected to high vibration or SWAMP areas. These connectors are not scoop proof (see 6.1.1). Connectors are light weight.

c. Series III connectors: General application within weapons systems and are suitable for blind mating areas. These connectors provide high-vibration characteristics at elevated temperature and are suitable for SWAMP areas with the proper connector accessories.

Class W - Provides a corrosion resistance shell.

Class F - Provides a conductive shell for EMI requirements.

Class K - Provides a stainless steel firewall connector for engine applications.

Class S - Provides a stainless steel firewall connector with enhanced EMI performance.

Class Y - Applications where pressure must be maintained.

Class J - Provides a corrosion resistant, lightweight composite shell with conductivity equivalent to class W.

Class M - Provides a corrosion resistant, lightweight composite connector with conductive plating for EMI performance equivalent to class F.

Class G - Same as class F but additional requirements for space grade applications.

Class H - Same as class Y but additional requirements for space grade applications.

Classes R and X - Applications requiring high corrosion resistance (for metallic shells).

d. Series IV connectors: General application within weapons systems where a quick disconnect coupling system is required for blind mating or other mating problem areas. These connectors provide high-vibration characteristics and are suitable for SWAMP areas with the proper connector accessories.

Classes W, F, G, H, J, M, and Y - Same as series III.

Classes R and X - Applications requiring high corrosion resistance.

e. Series I and II are intermateable with series I and II respectively of MIL-C-27599.

#### 6.1.1 Application guidance.

a. Users of connectors, covered by this specification, in new design systems and support equipment are advised to evaluate carefully for each application the relative merits of the long shell series I, III, IV, and short shell series II connectors. When considering use of the short shell series II connectors, the following areas must be evaluated:

- (1) Series II connectors are vulnerable to pin contact bending from scooping, with contact size 22 being the most vulnerable.
- (2) Use of series II connectors must be avoided in areas of blind mating.
- (3) Receptacles must be located so as to minimize the amount of required cable bending. When using series II connectors with large cables which must be bent at right angles, the cables must have the right angle bend permanently established.

- (4) Series II connector should not be used with heavy jacketed cable and excessive overhang moments, because of possible shell damage.
  - (5) Series II connectors should not be used in areas of rough handling such as experienced near engine removal, generators, support equipment, or portable equipment, etc.
  - (6) When mating series II connectors in areas of difficult visibility, care must be exercised to make sure that all bayonet pins are engaged by the coupling ring, since it is possible to engage only one bayonet pin and therefore only partially couple.
  - (7) When mating series II connectors in areas of difficult visibility, care must be exercised to make sure that connector plugs with pins are not coupled to receptacles with pins. This situation will result in the contacts touching.
- b. When the use of series IV connectors are considered, the design of the coupling system should be evaluated. If the coupling mechanism between the coupling ring and the shell is not properly positioned prior to the mating operation, the coupling ring must be repositioned prior to mating.
  - c. Class P connectors should not be used in Air Force new design applications, except when specifically approved by the procuring activity.
  - d. Application restrictions concerning the use of these connectors are set forth in MIL-STD-1353.
  - e. Recommended panel cutout dimensions are shown on figure 11.
  - f. Compatibility of connectors should be addressed when intermating different classes. When intermating classes with different performance requirements, the lower performance requirements of the two classes apply.
  - g. Composite class connectors should be considered for applications requiring increased corrosion resistance, increased durability, or decreased weight.
  - h. Box mount connectors are intended to be used on environmentally sealed boxes. If full wire sealing capability is needed a wall mount or jam-nut mount connector should be used.

6.1.2 Military unique statement. This connector is military unique because it is a miniature, high density, bayonet, threaded, breach coupling, environment resisting, high shock, high vibration, high corrosion connector that uses crimp removable or fixed hermetic solder contacts. It is capable of operating at temperatures up to 200°C. It is also designed to withstand 500 hours of salt spray. This connector is the most versatile and most preferred for military applications. A full commercial substitute is not available.

6.2 Acquisition requirements. Acquisition documents must specify the following:

- a. Title, number, and date of this specification.
- b. Issue of DoDISS to be cited in the solicitation, and if required, the specific issue of individual documents referenced (see 2.1).
- c. Packaging requirements (see 5.1).
- d. Nomenclature by class, type, finish, style, size, and PIN (see 1.3.1 and 3.4.3).
- e. Whether contacts, sealing plugs, and tools are included (see 1.3.1e, 3.4.1, 3.4.1.2, 3.4.1.4, and 3.4.3.2).



6.3 Qualification. With respect to products requiring qualification, awards will be made only for products which are, at the time of award of contract, qualified for inclusion in Qualified Product List (QPL) whether or not such products have actually been so listed by that date. The attention of the contractors is called to these requirements and manufacturers are urged to arrange to have products that they propose to offer to the Federal Government tested for qualification in order that they may be eligible to be awarded contracts or orders for the products covered by this specification. The agency responsible for qualification of products and the qualified products list (QPL) is the Defense Supply Center Columbus, DSCC-VQ, 3990 East Broad Street, Columbus, Ohio 43213-1199.

6.3.1 Copies of "Provisions Governing Qualification SD-6". Copies of "Provisions Governing Qualification SD-6" may be obtained upon application to Defense Printing Service Detachment Office, Bldg. 4D (Customer Service), 700 Robbins Avenue, Philadelphia, PA 19111-5094.

6.4 Definitions.

Blind-mate: A situation in which personnel wishing to mate a connector can neither see nor touch the connector halves being mated and must rely on some mechanism to accomplish the mating.

Scoop-proof: Scoop-proof means that because of the connector long shell design, it is impossible for the mating plug connector to inadvertently be cocked into the mating receptacle and damage the pins or electrically short the contacts.

6.5 Applicable contacts.

MIL-C-39029

	Power	Shielded/coax	Twinax	Thermocouple	Wirewrap
Pin	/58, /107 <u>1/</u>	/28, /60, /76, /102	/90	/87	/71
Socket	/56, /57, /106 <u>1/</u>	/27, /59, /75, /77, /78, /103	/91	/88, /89	/72

1/ 1,500 cycles durability contacts.

6.6 Patent notice. The Government has a royalty-free license under the following listed patents and for the benefit of manufacturers of item either for the Government or for use in equipment to be delivered to the Government.

US patent application

<u>US patent number</u>	<u>serial number</u>
3,003,135	558,958
3,101,229	
3,848,950	

6.7 PIN. The PIN should be structured in accordance with applicable slash sheets and MS sheets.

6.8 Subject term (key word) listing.

- Composite
- Metal
- Plugs
- Receptacle
- Space grade

## 6.9 Guidance information

6.9.1 Regrind materials. Reference AIR-4567 for guidance on regrind materials.

6.9.2 Environmentally preferable material. Environmentally preferable material should be used to the maximum extent possible, and that the material should meet or exceed the operational and maintenance requirements, and promote economically advantageous life cycle costs. Table XVIII lists materials targeted as hazardous to the environment.

6.10 Changes from previous issue. Marginal notations are not used in this revision to identify changes with respect to the previous issue, due to the extensiveness of the changes.

TABLE XVIII. Environmentally hazardous material.

Benzene	Dichloromethane	Tetrachloroethylene
Cadmium and compounds	Lead and compounds	Toluene
Carbon Tetrachloride	Mercury and compounds	1,1,1 – Trichloroethane
Chloroform	Methyl Ethyle Ketone	Trichloroethylene
Chromium and compounds	Methyl Isobutyl Ketone	Xylenes
Cyanide and compounds	Nickel and compounds	

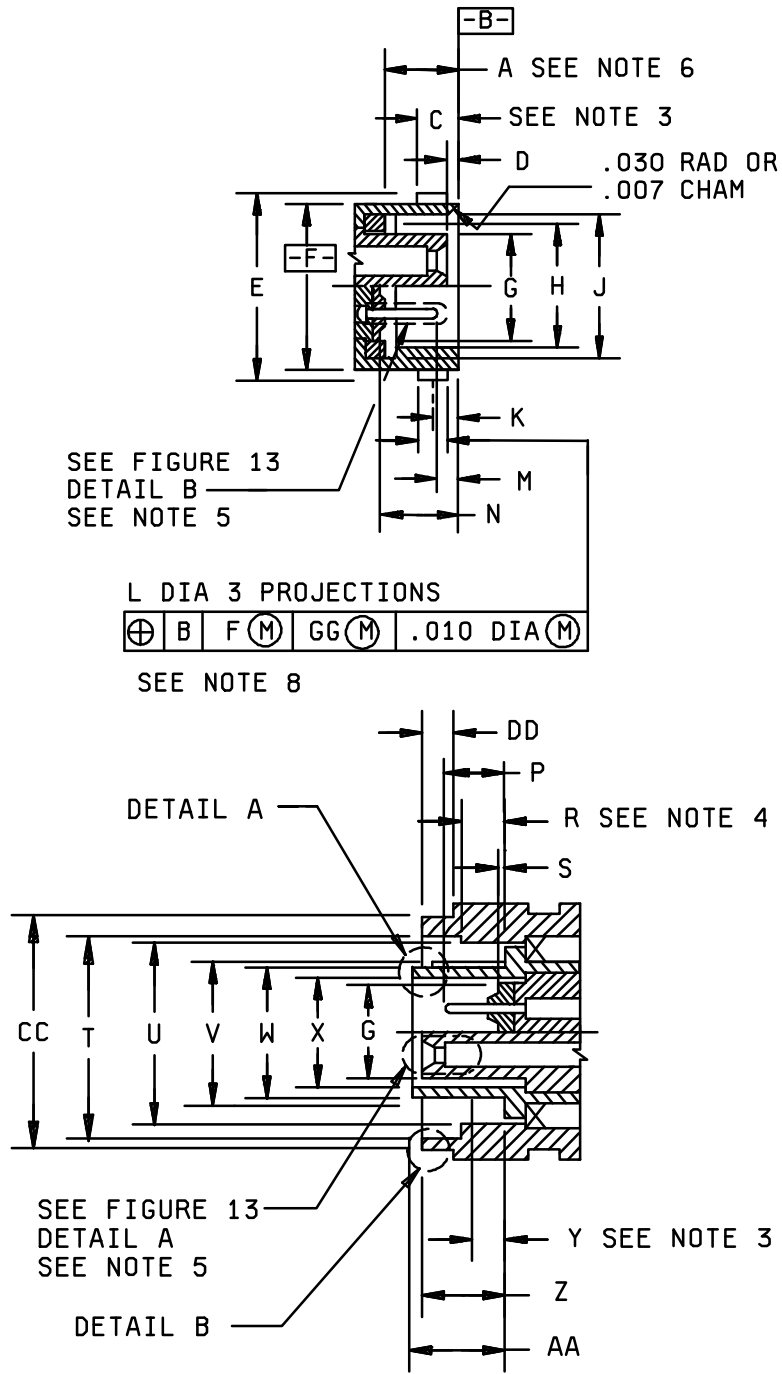
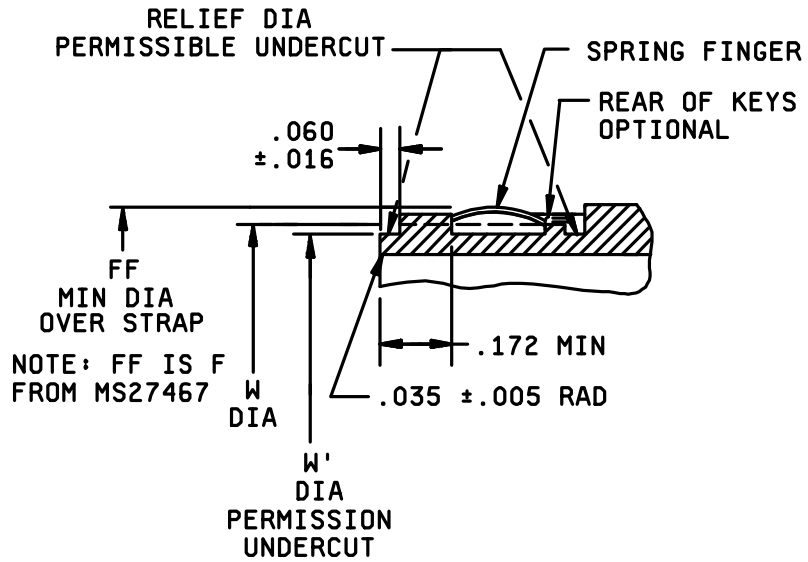
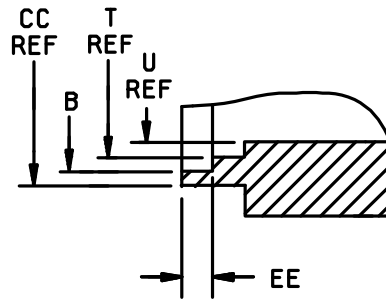


FIGURE 1. Connector intermateability dimensions (series I).



DETAIL A



DETAIL B

NOTE: B  $\emptyset$  IS C  $\emptyset$  FROM MS27467  
EE IS AA FROM MS27467

FIGURE 1. Connector intermateability dimensions (series I). - Continued.

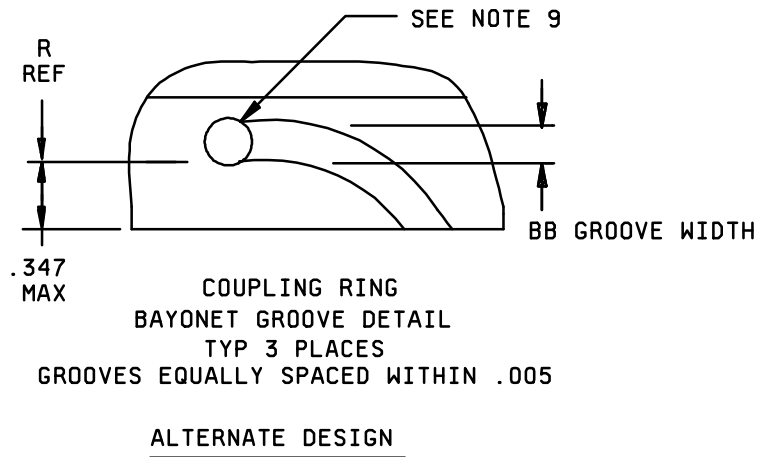
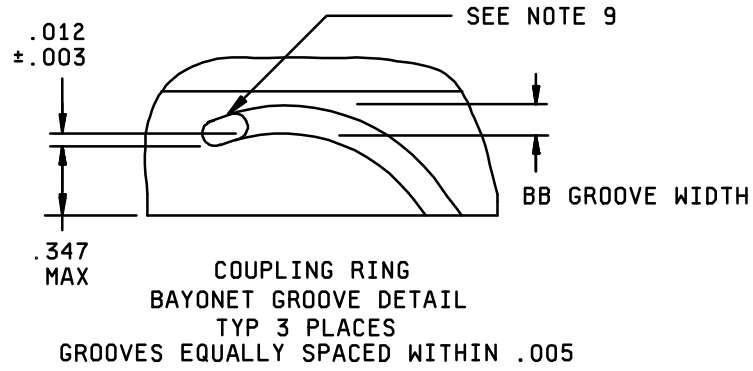


FIGURE 1. Connector intermateability dimensions (series I) - Continued.

Shell Size	A gask loc	C 3/ max	D soc ins loc	E dia +.000 -.016	F dia +.001 -.005	G dia +.005 -.010	H dia +.005 -.001	J dia +.005 -.006	K bay loc BSC	L dia +.006 -.002	M pin cont loc	N pin ins loc		
9	.569 .553	.111 max	.023 .015	.662	.572	.285	.442	.492	.100	.078	.404 .368	.579 .566		
11				.810	.700	.413	.570	.620						
13				.960	.850	.527	.687	.769						
15				1.085	.975	.652	.812	.894						
17				1.210	1.100	.777	.937	1.019						
19				1.317	1.207	.866	1.042	1.124						
21				1.442	1.332	.991	1.167	1.249						
23				1.567	1.457	1.116	1.292	1.374						
25				1.692	1.582	1.241	1.417	1.499					.109	.125

## NOTES:

- Dimensions are in inches.
- Metric equivalents are given for general information only.
- A point at which a gauge pin, having the same basic diameter as the mating contact and a square face touches socket contact spring.
- Distance from plug shell shoulder to locking point of coupling ring.
- Details "A" and "B" apply to both plugs and receptacles.
- "A" initial contact with static seal.
- The least amount of electrical engagement occurs when the insert faces are at their minimum interference location. When this condition exists, the coupling spring force shall be sufficient to guarantee .024 inch (0.61 mm) compression of the peripheral sealing gasket. Minimum electrical contact engagement is therefore computed with the peripheral sealing gasket compressed .024 inch (0.61 mm) from its MMC position.
- The gauge features for GG (see main key/keyway polarization detail of figure 5) shall be .010 smaller than their MMC at basic location. (see applicable MS standards).
- Three holes (design optional) equally spaced within .010 inch (0.25 mm) shall be provided for visual inspection of lock when mated with receptacle.
- Insert front surface shall be flat within .005 inch (0.13 mm) TIR.
- Diameters F and H shall be concentric within .015 inch (0.38 mm) TIR.
- Diameter F with respect to diameter E and diameter H with respect to diameter J shall be concentric at MMC.
- Diameters H and G shall be concentric within .005 inch (0.13 mm) TIR at MMC.
- Diameter W with respect to diameter V shall be concentric at MMC.
- Diameters U and T shall be concentric within .008 inch (0.20 mm) TIR.
- Diameter CC to be concentric to U within .005 inch (0.13 mm) TIR.

FIGURE 1. Connector intermateability dimensions (series I) - Continued.

Shell size	P pin cont loc	R <u>4/</u>	S pin ins loc	T dia +.005 -.006	U dia +.005 -.001	V dia +.001 -.010	W dia +.001 -.005	W dia min	X dia min
9	.228 .190	.133 .093	.031 .016	.674	.580	.482	.437	.417	.312
11				.822	.712	.610	.565	.545	.430
13				.972	.861	.759	.677	.657	.544
15				1.097	.985	.884	.802	.782	.669
17				1.222	1.110	1.009	.927	.907	.794
19				1.329	1.217	1.114	1.032	1.012	.883
21				1.454	1.342	1.239	1.157	1.137	1.008
23				1.579	1.467	1.364	1.282	1.262	1.133
25				.172 .132			1.704	1.592	1.489

Shell size	Y <u>3/</u>	Z soc ins loc	AA shld loc	BB +.016 -.001	CC dia +.011 -.000	DD +.045 -.036	B +.005 -.001	EE +.005 -.006	FF dia min
9	.483 min	.582 .572	.597 .592	.090	.780	.160	.684	.068	.447
11					.905		.832		.575
13					1.061		.981		.692
15					1.186		1.106		.817
17					1.301		1.230		.942
19					1.422		1.347		1.047
21					1.544		1.462		1.172
23					1.667		1.587		1.297
25					.137		1.793		

FIGURE 1. Connector intermateability dimensions (series I) - Continued

Inches	mm	Inches	mm	Inches	mm	Inches	mm	Inches	mm
.001	0.03	.190	4.83	.662	16.81	.981	24.92	1.262	32.05
.002	0.05	.228	5.79	.672	17.07	.985	25.02	1.282	32.56
.003	0.08	.285	7.24	.674	17.12	.991	25.17	1.292	32.82
.004	0.10	.315	8.00	.677	17.20	1.009	25.63	1.297	32.99
.005	0.13	.347	8.81	.684	17.37	1.011	25.68	1.301	33.05
.006	0.15	.368	9.35	.687	17.45	1.012	25.70	1.317	33.45
.007	0.18	.404	10.26	.692	17.58	1.019	25.88	1.329	33.76
.008	0.20	.413	10.49	.700	17.78	1.032	26.21	1.332	33.83
.010	0.25	.417	10.59	.712	18.08	1.042	26.47	1.342	34.09
.011	0.28	.433	11.00	.759	19.28	1.047	26.59	1.347	34.21
.012	0.30	.437	11.10	.769	19.53	1.061	26.95	1.364	34.65
.015	0.38	.442	11.23	.777	19.74	1.085	27.56	1.374	34.90
.016	0.41	.447	11.35	.780	19.81	1.097	27.86	1.387	35.23
.023	0.58	.482	12.24	.782	19.86	1.100	27.94	1.407	35.74
.024	0.61	.483	12.27	.797	20.24	1.106	28.09	1.417	35.99
.030	0.76	.492	12.50	.802	20.37	1.110	28.19	1.422	36.12
.031	0.79	.527	13.39	.810	20.57	1.114	28.30	1.442	36.63
.035	0.89	.545	13.84	.812	20.62	1.116	28.35	1.454	36.93
.036	0.91	.547	13.89	.817	20.75	1.124	28.55	1.457	37.01
.045	1.14	.553	14.05	.822	20.88	1.136	28.85	1.462	37.13
.047	1.19	.565	14.35	.832	21.13	1.137	28.88	1.467	37.26
.060	1.52	.566	14.38	.850	21.59	1.157	29.39	1.489	37.82
.068	1.73	.569	14.45	.861	21.87	1.167	29.64	1.499	38.07
.078	1.98	.570	14.48	.866	22.00	1.172	29.77	1.544	39.22
.090	2.29	.572	14.53	.884	22.45	1.186	30.12	1.567	39.22
.093	2.36	.575	14.61	.886	22.50	1.207	30.66	1.579	40.11
.100	2.54	.579	14.71	.894	22.71	1.210	30.73	1.582	40.18
.109	2.77	.580	14.73	.905	22.99	1.217	30.91	1.587	40.31
.111	2.82	.582	14.78	.907	23.04	1.222	31.04	1.592	40.44
.125	3.18	.592	15.04	.927	23.55	1.230	31.24	1.667	42.34
.132	3.35	.597	15.16	.937	23.80	1.239	31.47	1.692	42.98
.133	3.38	.610	15.49	.942	23.93	1.241	31.52	1.704	43.28
.137	3.48	.620	15.75	.960	24.38	1.249	31.72	1.712	43.48
.160	4.06	.652	16.56	.972	24.69	1.260	32.00	1.793	45.54
.172	4.37	.657	16.69	.975	24.77				

FIGURE 1. Connector intermateability dimensions (series I) - Continued.



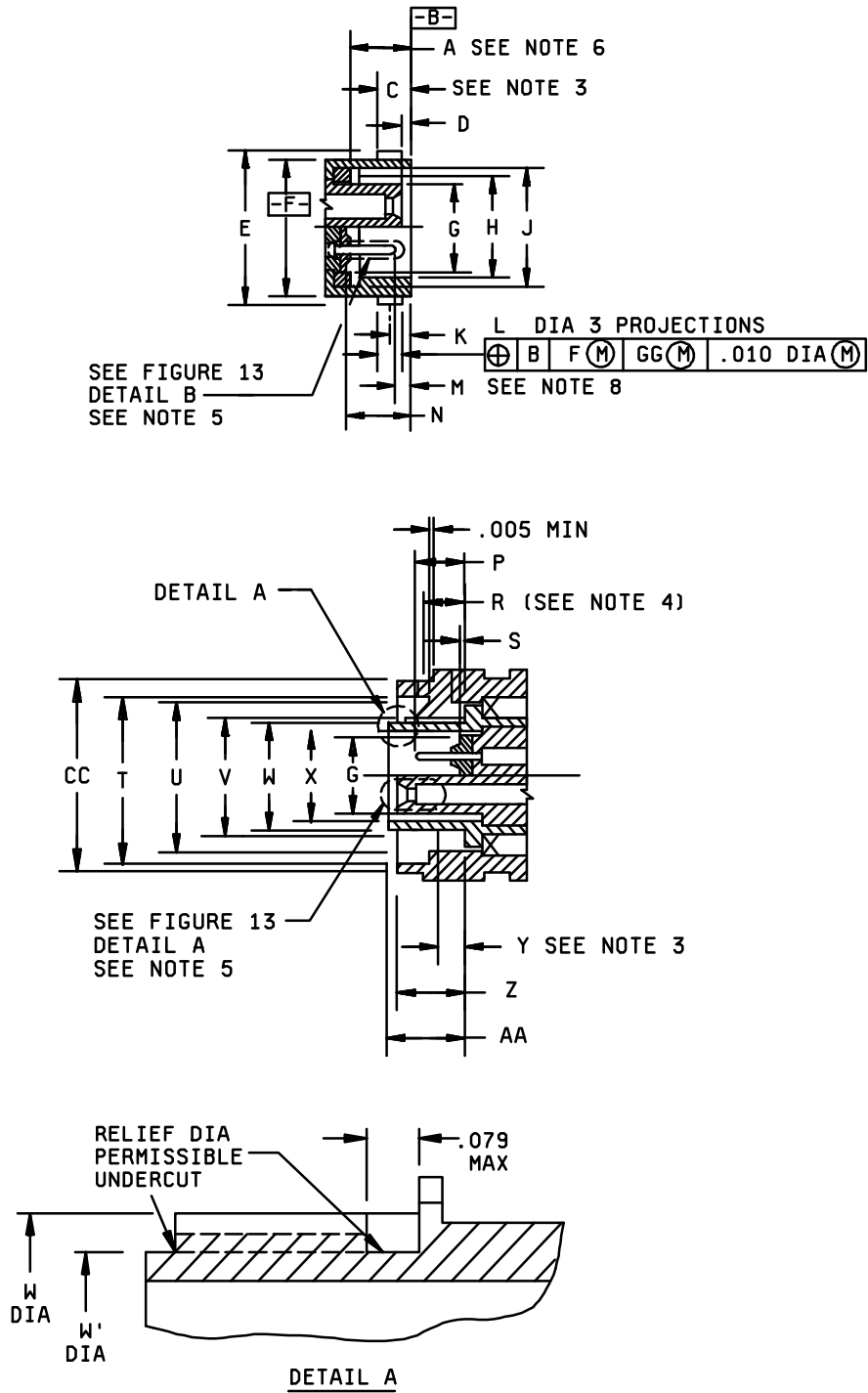
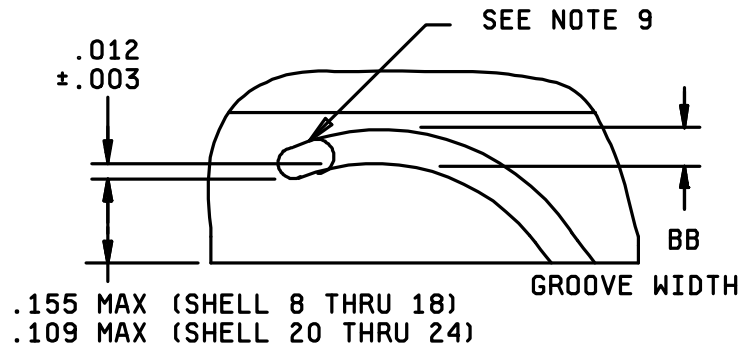


FIGURE 2. Connector intermateability dimensions (series II).



**COUPLING RING  
BAYONET GROOVE DETAIL  
TYP 3 PLACES  
GROOVES EQUALLY SPACED WITHIN .005**

## NOTES:

1. Dimensions are in inches.
2. Metric equivalents are given for general information only.
3. A point at which a gauge pin, having the same basic diameter as the mating contact and a square face, touches socket contact spring.
4. Distance from plug shell shoulder to locking point of coupling ring.
5. Details "A" and "B" apply to both plugs and receptacles.
6. "A" initial contact with static seal.
7. The least amount of electrical engagement occurs when the insert faces are at their minimum interference location. When this condition exists, the coupling spring force shall be sufficient to guarantee .024 inch (0.61 mm) compression of the peripheral sealing gasket. Minimum electrical contact engagement is therefore computed with the peripheral sealing gasket compressed .024 inch (0.61 mm) from its MMC position.
8. The gauge features for GG (see figure 5) shall be .004 inch (0.10 mm) smaller for shell size 8 and .010 inch (0.25 mm) smaller for shell sizes 10 through 24 at MMC (see applicable MS standard for projection location).
9. Three holes (design optional) equally spaced within .010 inch (0.25 mm) shall be provided for visual inspection of lock when mated with receptacle.
10. Insert front surface shall be flat within .005 inch (0.13 mm) TIR.
11. Diameters F and H shall be concentric within .015 inch (0.38 mm) TIR.
12. Diameter F with respect to diameter E and diameter H with respect to diameter J shall be concentric at MMC.
13. Diameters H and G shall be concentric with .005 inch (0.13 mm) TIR at MMC.
14. Diameter W with respect to diameter V shall be concentric at MMC.
15. Diameters U and T shall be concentric within .008 inch (0.20 mm) TIR.
16. Diameter CC to be concentric to U within .005 (0.13 mm) TIR.

FIGURE 2. Connector intermateability dimensions (series II) - Continued.

MIL-DTL-38999K

Shell size	A gask loc	C <u>3/</u>	D soc ins loc	E dia +.000 -0.016	F dia +.001 -0.005	G dia +.005 -0.010	H dia +.005 -0.001	J dia +.005 -0.006	K bay loc BSC	L dia +.006 -0.002	M pin cont loc	N pin ins loc	P pin cont loc
8	.232 .216	.111 Max	.023 .015	.563	.473	.285	.362	.412	.078	.078	.067 .031	.241 .228	.228 .190
10				.680	.590	.413	.490	.540					
12				.859	.750	.527	.607	.689					
14				.984	.875	.652	.732	.814					
16				1.108	1.000	.777	.857	.939					
18				1.233	1.125	.866	.962	1.039					
20				1.358	1.250	.991	1.087	1.164					
22				1.483	1.375	1.116	1.212	1.289					
24				1.610	1.500	1.241	1.337	1.414					

Shell size	R <u>4/</u>	S pin ins loc	T dia +.005 -0.006	U dia +.005 -0.001	V dia +.001 -0.010	W dia +.001 -0.005	W' dia min	X dia min	Y <u>3/</u>	Z soc ins loc	AA shld loc	BB +.015 -0.001	CC dia +.000 -0.006						
8	.116 .076	.031 .016	.576	.481	.402	.357	.337	.306	.146 min	.244 .234	.260 .256	.090	.630						
10			.697	.602	.530	.485	.465	.423					.752						
12			.871	.761	.679	.597	.557	.537					.925						
14			.995	.885	.804	.722	.702	.662					1.050						
16			1.120	1.010	.929	.847	.827	.787					1.172						
18			1.245	1.136	1.029	.947	.927	.876					1.304						
20			.143 .103	.031 .016	1.370	1.260	1.154	1.072					1.052	1.001	.137	.244 .234	.260 .256	.090	1.435
22					1.495	1.385	1.279	1.197					1.177	1.126					1.560
24					1.624	1.510	1.404	1.322					1.302	1.251					1.688

FIGURE 2. Connector intermateability dimensions (series II) - Continued.

Inches	mm	Inches	mm	Inches	mm	Inches	mm	Inches	mm
.001	0.03	.234	5.94	.607	15.42	.927	23.55	1.212	30.78
.002	0.05	.241	6.12	.630	16.00	.929	23.60	1.233	31.32
.003	0.08	.244	6.20	.652	16.56	.939	23.85	1.241	31.52
.005	0.13	.256	6.50	.662	16.81	.947	24.05	1.245	31.62
.006	0.15	.260	6.60	.679	17.25	.962	24.43	1.250	31.75
.010	0.25	.285	7.24	.680	17.27	.984	24.99	1.251	31.78
.012	0.30	.306	7.77	.689	17.50	.991	25.17	1.260	32.00
.015	0.38	.337	8.56	.697	17.70	.995	25.27	1.279	32.49
.016	0.41	.357	9.07	.702	17.83	1.000	25.40	1.289	32.74
.023	0.58	.362	9.19	.722	18.34	1.001	25.43	1.302	33.07
.031	0.79	.402	10.21	.732	18.59	1.010	25.65	1.304	33.12
.067	1.70	.412	10.46	.750	19.05	1.029	26.14	1.322	33.58
.076	1.93	.413	10.49	.752	19.10	1.039	26.39	1.337	33.96
.078	1.98	.423	10.74	.761	19.33	1.050	26.67	1.358	34.49
.079	2.01	.465	11.81	.777	19.74	1.052	26.72	1.370	34.80
.090	2.29	.473	12.01	.787	19.99	1.072	27.23	1.375	34.93
.103	2.62	.481	12.22	.804	20.42	1.087	27.61	1.385	35.18
.109	2.77	.485	12.32	.814	20.68	1.108	28.14	1.404	35.66
.111	2.82	.490	12.45	.827	21.01	1.116	28.35	1.414	35.92
.116	2.95	.527	13.39	.847	21.51	1.120	28.45	1.435	36.45
.125	3.18	.530	13.46	.857	21.77	1.125	28.58	1.483	37.67
.137	3.48	.537	13.64	.859	21.82	1.126	28.60	1.495	37.97
.143	3.63	.540	13.72	.866	22.00	1.136	28.85	1.500	38.10
.146	3.71	.557	14.15	.871	22.12	1.154	29.31	1.510	38.35
.155	3.94	.563	14.30	.875	22.23	1.164	29.57	1.560	39.62
.190	4.83	.576	14.63	.876	22.25	1.172	29.77	1.610	40.89
.216	5.49	.590	14.99	.885	22.48	1.177	29.90	1.624	41.25
.228	5.79	.597	15.16	.925	23.50	1.197	30.40	1.688	42.88
.232	5.89	.602	15.29						

FIGURE 2. Connector intermateability dimensions (series II) - Continued.

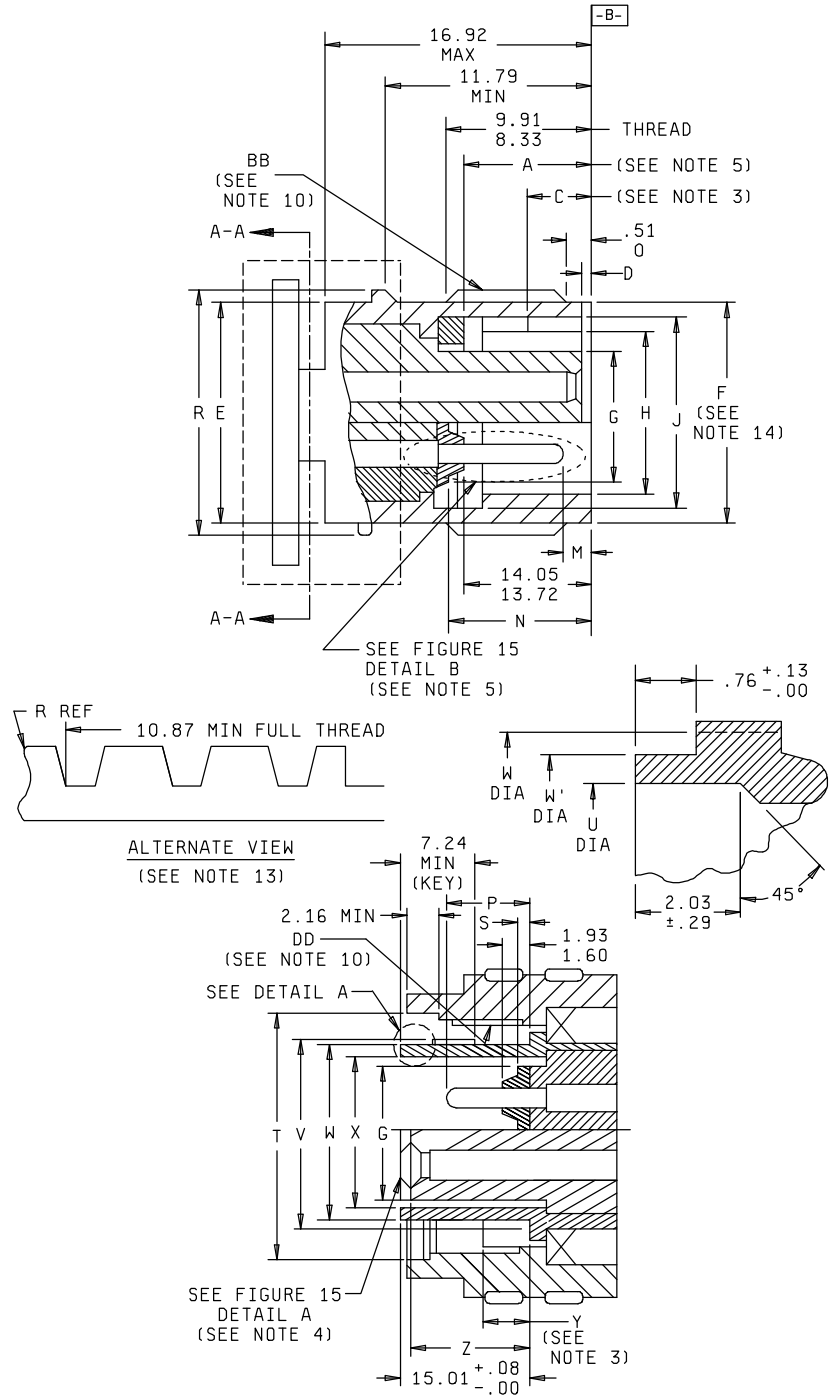


FIGURE 3. Connector intermateability dimensions (series III).

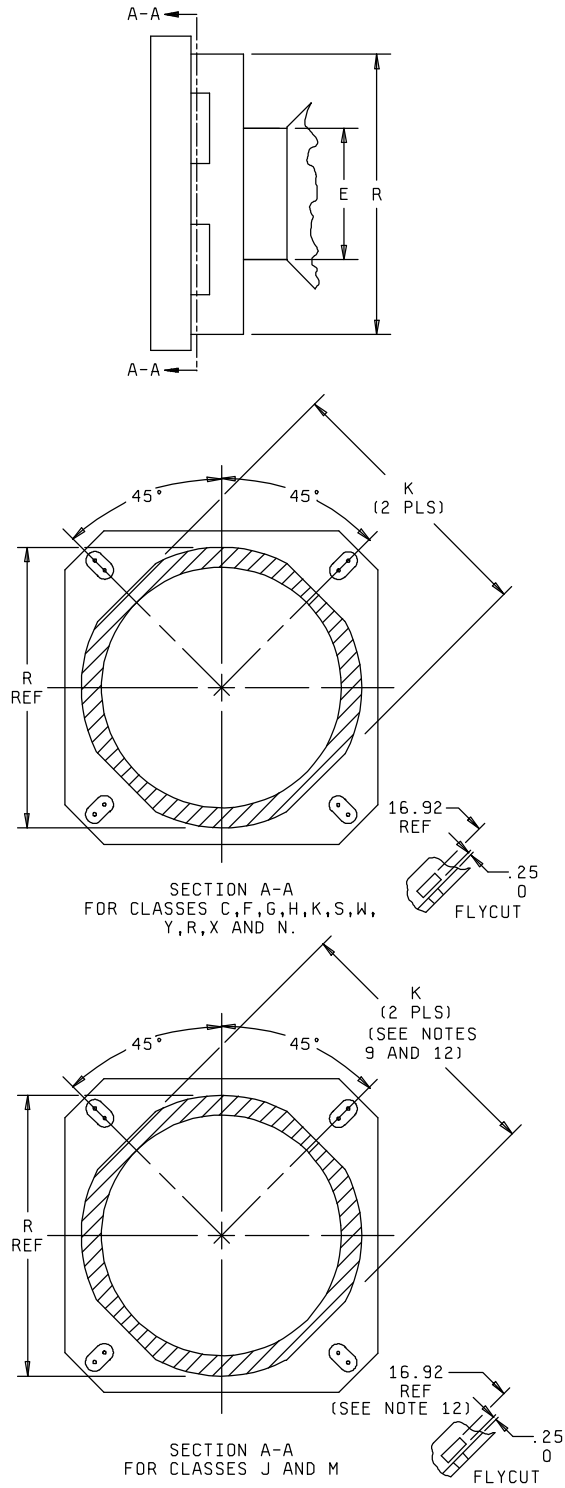


FIGURE 3. Connector intermateability dimensions (series III) - Continued.

Notes:

1. Dimensions are in millimeters (except coupling threads).
2. Inch equivalents are given for general information only.
3. A point at which a gauge pin, having the same basic diameter as the mating contact and a square face, touches socket contact spring.
4. Details "A" and "B" apply to both plugs and receptacles.
5. "A" initial contact with static seal.
6. Insert front surface shall be flat within .13 TIR.
7. Diameters H and G shall be concentric within .13 TIR at MMC.
8. Diameter W with respect to diameter V shall be concentric at MMC.
9. K dimension is for clearance of mounting screw heads.
10. Thread approach modified to eliminate cross-threading.
11. Receptacle coupling threads may have modified minor diameters.
12. Flycuts is a optional design for composite.
13. The "E" dimension does not apply.
14. Witness marks as result of threading are permissible on "F" diameter.

FIGURE 3. Connector intermateability dimensions (series III) - Continued.

Shell size	A gask loc	C 3/	D soc Ins loc	E dia max	F dia	G dia +.13 -.25	H dia	J dia
9	14.73	3.25	0.94	14.55	14.42 14.14	7.24	11.36 11.20	12.63 12.34
11				17.73	17.60 17.32	10.49	14.61 14.45	15.88 15.60
13				20.90	20.77 20.49	13.39	17.45 17.30	19.66 19.38
15				24.08	23.95 23.67	16.56	20.63 20.44	22.84 22.56
17	14.50	max	0.64	28.52	28.30 27.97	19.74	23.80 23.64	26.01 25.73
19				30.12	29.89 29.56	22.00	26.47 26.31	28.63 28.40
21				33.30	33.07 32.74	25.17	29.64 29.49	31.85 31.57
23				36.47	36.24 35.91	28.35	32.82 32.66	35.03 34.75
25				39.65	39.42 39.02	31.52	35.99 35.84	38.20 37.92

Shell size	K max	M pin cont loc	N pin ins loc	P pin cont loc	R dia max	S pin ins loc	T dia +.25 -.03
9	11.84	10.54	15.46	6.15	15.88	0.65	16.51
11	15.01				19.05		19.69
13	19.08				22.23		22.86
15	22.25				25.40		26.04
17	25.43	9.50	15.04	5.11	30.16	0.24	30.89
19	28.60				31.75		32.49
21	31.78				34.73		35.66
23	34.95				38.10		38.84
25	38.13				41.28		42.01

FIGURE 3. Connector intermateability dimensions (series III) - Continued.



Shell size	U dia +.13 -.03	V dia	W dia	W' dia min	X dia min	Y see note 3	Z soc insec loc
9	9.83	12.27 11.99	11.13 10.97	10.59	7.92	12.45 min	15.06 14.76
11	13.06	15.52 15.24	14.38 14.22	13.84	10.92		
13	15.95	19.31 19.02	17.22 17.07	16.68	13.81		
15	19.13	22.48 22.20	20.40 20.24	19.86	16.99		
17	22.30	25.66 25.37	23.57 23.42	23.03	20.16		
19	24.69	28.32 28.04	26.24 26.09	25.70	22.42		
21	27.86	31.50 31.22	29.42 29.26	28.87	25.60		
23	31.04	34.67 34.39	32.59 32.44	32.05	28.77		
25	34.21	37.85 37.57	35.77 35.61	35.22	31.92		

FIGURE 3. Connector intermateability dimensions (series III) - Continued.

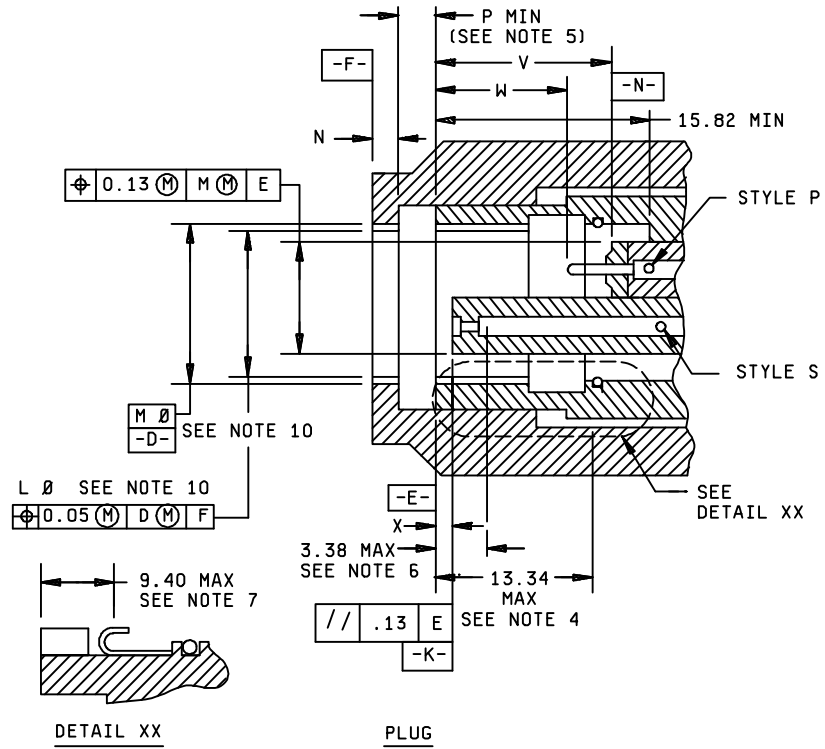
BB thread (plated or finished) <u>1/</u>												
Shell size	Designation				External thread - limits of size - class 2A							
	Thread size	Pitch	Lead	Allowance <u>2/</u>	Major diameter		Tolerance	Pitch diameter		Tolerance	Minor diameter	
					Limits			Limits			Limits	
					max	min		max	min		max	min
9	.6250	.1	.3	.0015	.6235	.6155	.0080	.5975	.5895	.0080	.5675	.5535
11	.7500				.7485	.7405		.7225	.7145		.6925	.6785
13	.8750				.8735	.8655		.8475	.8395		.8175	.8035
15	1.0000				.9985	.9905		.9725	.9645		.9425	.9285
17	1.1875			.0020	1.1855	1.1735	.0120	1.1515	1.1415	.0100	1.1135	1.0955
19	1.2500				1.2480	1.2360		1.2140	1.2040		1.1760	1.1580
21	1.3750				1.3730	1.3610		1.3390	1.3290		1.3010	1.2830
23	1.500				1.4980	1.4860		1.4640	1.4540		1.4260	1.4080
25	1.625				1.6230	1.6110		1.5890	1.5790		1.5510	1.5330

DD thread (plated) <u>1/</u>												
Shell Size	Designation			Internal thread - limits of size - class 2B								
	Thread size	Pitch	Lead	Minor diameter		Tolerance	Pitch diameter		Tolerance	Major diameter		
				Limits			Limits			Limits		
				min	max		min	max		min	max	
9	.6250	.1	.3	.5792	.5892	.0100	.5990	.6090	.0100	.6290	.6450	
11	.7500			.7042	.7142		.7240	.7340		.7540	.7700	
13	.8750			.8292	.8392		.8490	.8590		.8790	.8950	
15	1.0000			.9542	.9642		.9740	.9840		1.0040	1.0200	
17	1.1875			.0120	1.1274	1.1394	.0120	1.1535	1.1655	.0120	1.1915	1.2115
19	1.2500				1.1900	1.2020		1.2160	1.2280		1.2540	1.2740
21	1.3750				1.3150	1.3270		1.3410	1.3530		1.3790	1.3990
23	1.5000				1.4400	1.4520		1.4660	1.4780		1.5040	1.5240
25	1.6250				1.5650	1.5770		1.5910	1.6030		1.6290	1.6490

1/ Threads are modified 60° stub configuration.

2/ Gauges for plated threads: Maximum gauging limits of class 2A threads which are plated, are increased by the allowance. Unplated threads, for example class K, may be checked with standard after plate gauges.

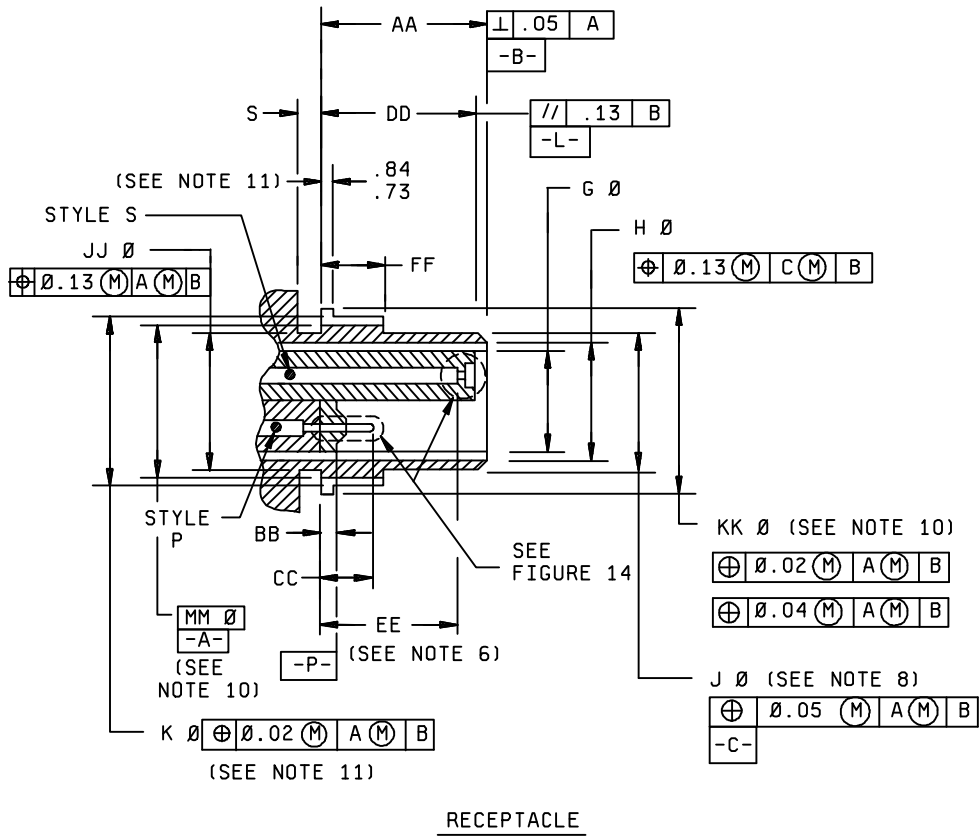
FIGURE 3. Connector intermateability dimensions (series III) – Continued.



NOTE: Detail XX applicable to EMI grounding plug only.

mm	Inches
.002	.05
.005	.013
.133	3.38
.370	9.40
.525	13.34

FIGURE 4. Connector intermateability dimensions (series IV).



mm	Inches
.02	.001
.04	.002
.05	.002
.11	.004
.13	.005
.73	.029
.84	.033

FIGURE 4. Connector intermateability dimensions (series IV) - Continued.

Receptacle								
Shell size Code 1/	Shell size	AA	G dia	BB pin Insr loc	CC pin Cont loc	DD skt Insr loc	EE min	FF
B	11	17.15 (.675) 16.99 (.669)	10.62 (.418) 10.36 (.408)	2.08 (.082)	7.09 (.279)	16.03 (.631)	13.46 (.530)	7.02 (.276)
C	13		13.52 (.532) 13.25 (.522)	1.71 (.067)	6.12 (.241)	15.81 (.622)		6.85 (.270)
D	15		16.69 (.657) 16.43 (.647)					
E	17		19.87 (.782) 19.60 (.772)					
F	19	16.90 (.665) 16.73 (.659)	22.13 (.871) 21.86 (.861)	1.85 (.073)	6.84 (.269)	15.78 (.621)	13.20 (.520)	6.76 (.266)
G	21		25.30 (.996) 25.04 (.986)	1.46 (.057)	5.86 (.231)	15.55 (.612)		6.60 (.260)
H	23		28.48 (1.121) 28.21 (1.111)					
J	25		31.65 (1.246) 31.39 (1.236)					

Receptacle							
Shell 1/ size code	Shell size	H dia min	J dia	JJ dia	S	K dia	KK dia
B	11	10.74 (.423)	12.93 (.509) 12.77 (.503)	13.09 (.515) 12.97 (.511)	2.52 (.099) 2.38 (.094)	14.99 (.590) 14.89 (.586)	16.26 (.640) 16.16 (.636)
C	13	13.63 (.537)	16.10 (.634) 15.94 (.628)	16.51 (.650) 16.39 (.645)		18.32 (.721) 18.22 (.717)	19.33 (.761) 19.23 (.757)
D	15	16.81 (.662)	19.28 (.759) 19.12 (.753)	19.69 (.775) 19.57 (.770)		21.47 (.845) 21.37 (.841)	22.48 (.885) 22.38 (.881)
E	17	19.98 (.787)	22.48 (.885) 22.32 (.879)	22.89 (.901) 22.77 (.896)		24.64 (.970) 24.54 (.966)	25.66 (1.010) 25.56 (1.006)
F	19	22.25 (.876)	25.63 (1.009) 25.47 (1.003)	25.79 (1.015) 25.67 (1.011)	2.77 (.109) 2.64 (.104)		27.67 (1.089) 27.57 (1.085)
G	21	25.42 (1.001)	28.80 (1.134) 28.64 (1.128)	28.96 (1.140) 28.84 (1.135)			30.84 (1.214) 30.74 (1.210)
H	23	28.60 (1.126)	31.98 (1.259) 31.82 (1.253)	32.14 (1.265) 32.02 (1.261)			34.12 (1.343) 34.02 (1.339)
J	25	31.77 (1.251)	35.15 (1.384) 35.00 (1.378)	35.31 (1.390) 35.19 (1.385)			37.34 (1.470) 37.24 (1.466)

1/ See note 10.

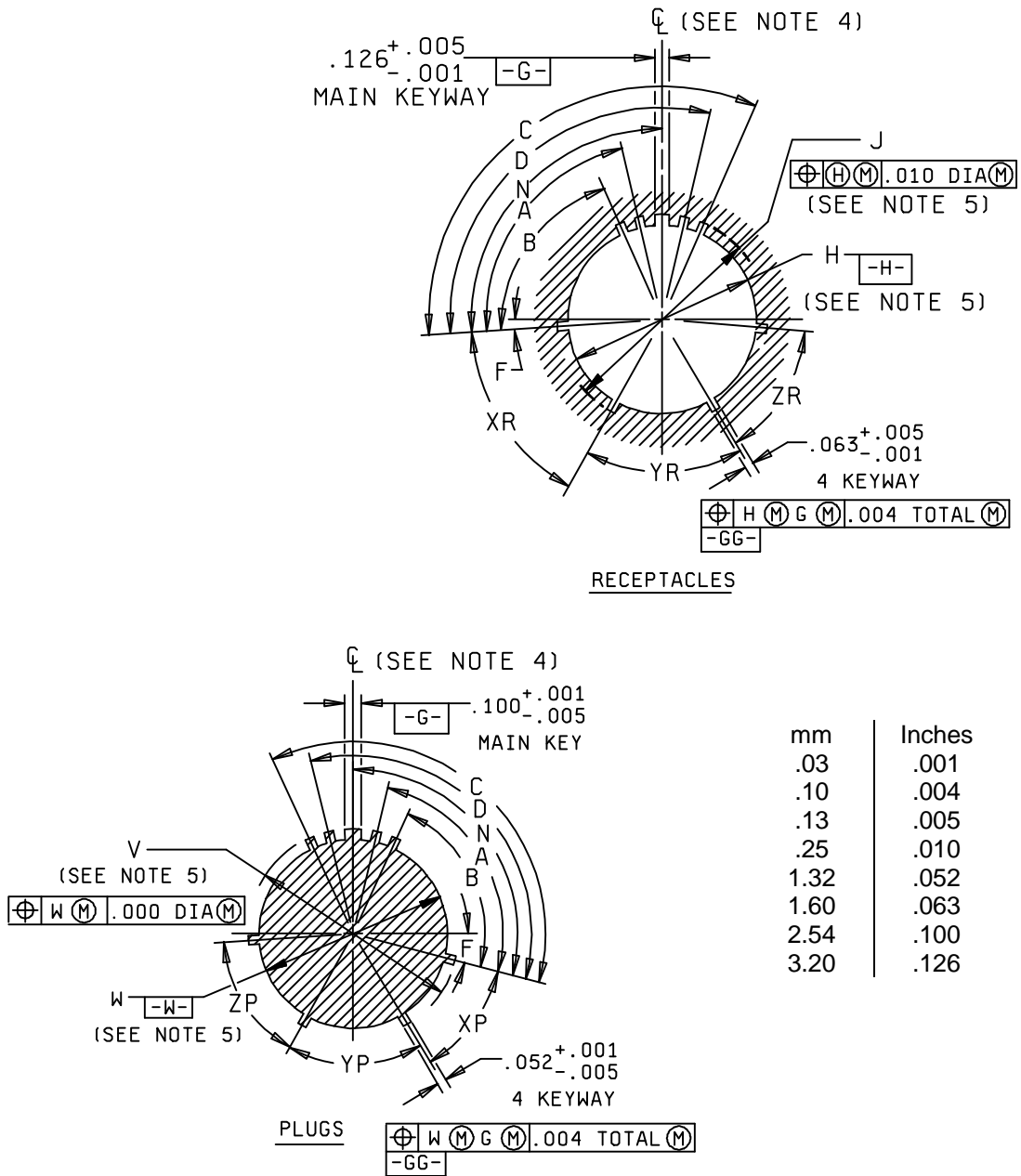
FIGURE 4. Connector intermateability dimensions (series IV) - Continued.

Plug						
Shell size Code 10/	Shell size	N	P min	V pin Insr loc	W pin Cont loc	X skt Insr loc
B	11	2.37 (.093) 2.26 (.089)	4.08 (.161)	15.14 (.596) 14.73 (.580)	10.72 (.422) 9.70 (.382)	1.05 (.041) 0.76 (.030)
C	13					
D	15					
E	17	2.62 (.103) 2.51 (.099)	3.83 (.151)	15.14 (.596) 14.73 (.580)	10.72 (.422) 9.70 (.382)	1.05 (.041) 0.76 (.030)
F	19					
G	21					
H	23					
J	25					

## NOTES:

1. Dimensions are in millimeters.
2. Inch equivalents are for general information only.
3. Inch equivalents are in parentheses.
4. Initial contact with static seal.
5. Unmated dimensions.
6. A point at which a gauge pin, having the same basic diameter as the mating contact and a square face, touches socket contact spring.
7. A point at which a gauge, having the same basic diameter as the mating receptacle shell, and a square face, touches the RFI spring.
8. Sealing/grounding surface.
9. Applies to sizes 19 through 25.
10. For diameters "L", "M", and "MM" see main key/keyway polarization figure (see figure 7).
11. Applies to shell sizes 11 through 17.
12. See table XI for shell size code for part numbering.

FIGURE 4. Connector intermateability dimensions (series IV) - Continued.



Main Key/Keyway Polarization

FIGURE 5. Connector intermateability dimensions (series I and II).

Series I Assemblies									
Shell size	F	Normal Rotation				Letter Designation			
		N	XR XP	YR YP	ZR ZP	A	B	C	D
9	5°	95°	45°	88°	27°	77°	---	---	113°
11	5°	95°	45°	88°	27°	81°	67°	123°	109°
13	5°	95°	45°	88°	27°	75°	63°	127°	115°
15	5°	95°	45°	88°	27°	74°	61°	129°	116°
17	5°	95°	45°	88°	27°	77°	65°	125°	113°
19	5°	95°	45°	88°	27°	77°	65°	125°	113°
21	5°	95°	45°	88°	27°	77°	65°	125°	113°
23	5°	95°	45°	88°	27°	80°	69°	121°	110°
25	5°	95°	45°	88°	27°	80°	69°	121°	110°

Series I Assemblies									
Shell size	F	Normal Rotation				Letter Designation			
		N	XR XP	YR YP	ZR ZP	A	B	C	D
8	10°	100°	28°	100°	37°	82°	---	---	118°
10	10°	100°	28°	100°	37°	86°	72°	128°	114°
12	10°	100°	28°	100°	37°	80°	68°	132°	120°
14	10°	100°	28°	100°	37°	79°	66°	134°	121°
16	10°	100°	28°	100°	37°	82°	70°	130°	118°
18	10°	100°	28°	100°	37°	82°	70°	130°	118°
20	10°	100°	28°	100°	37°	82°	70°	130°	118°
22	10°	100°	28°	100°	37°	85°	74°	126°	115°
24	10°	100°	28°	100°	37°	85°	74°	126°	115°

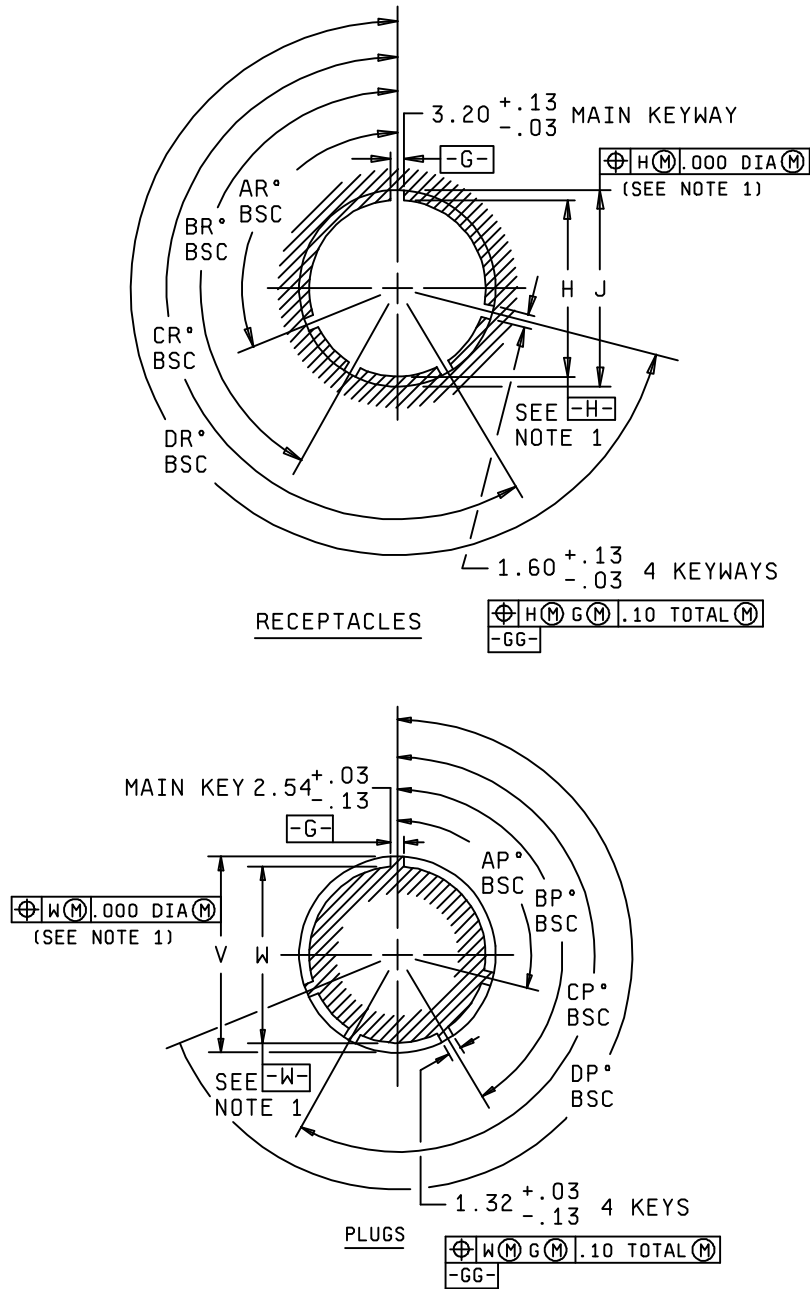
## NOTES:

1. Dimensions are in inches.
2. Metric equivalents are given for general information only.
3. All angles are BSC.
4.  $\text{C}$  indicates center line of insert arrangement. The insert arrangement and the 4 minor keyways do not rotate with main key/keyway. The main key/keyway rotates to position A, B, C, or D for alternates.
5. For indicated dimensions, see applicable series detail of this figure.

Main key/keyway polarization

FIGURE 5. Connector intermateability dimensions (series I and II) - Continued.





Main key/keyway polarization

FIGURE 6. Connector intermateability dimensions (series III).

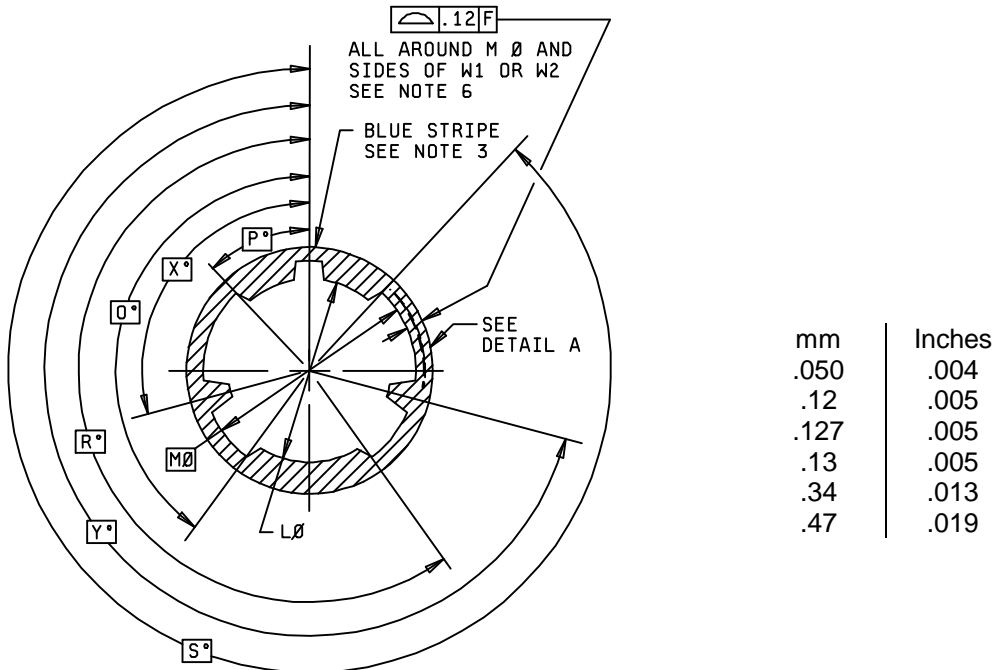
Shell size	Key & keyway arrangement identification letter	AR° or AP° BSC	BR° or BP° BSC	CR° or CP° BSC	DR° or DP° BSC
9	N	105	140	215	265
	A	102	132	248	320
	B	80	118	230	312
	C	35	140	205	275
	D	64	155	234	304
	E	91	131	197	240
11, 13, and 15	N	95	141	208	236
	A	113	156	182	292
	B	90	145	195	252
	C	53	156	220	255
	D	119	146	176	298
	E	51	141	184	242
17 and 19	N	80	142	196	293
	A	135	170	200	310
	B	49	169	200	244
	C	66	140	200	257
	D	62	145	180	280
	E	79	153	197	272
21, 23, and 25	N	80	142	196	293
	A	135	170	200	310
	B	49	169	200	244
	C	66	140	200	257
	D	62	145	180	280
	E	79	153	197	272

## NOTES:

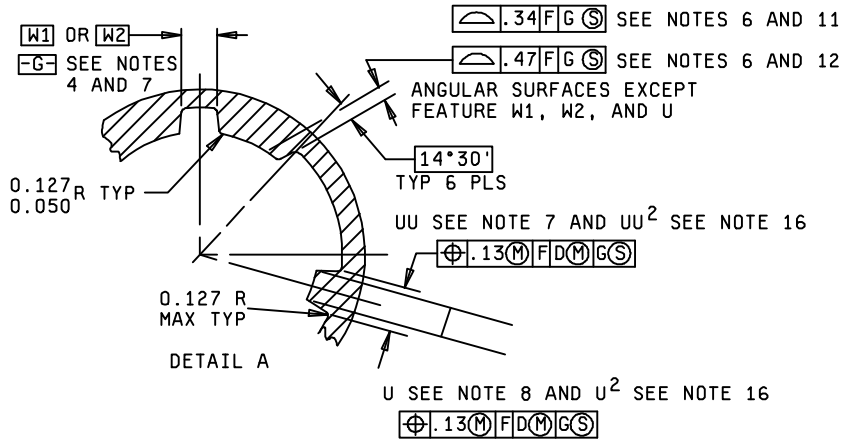
1. Dimensions are in millimeters.
2. Inch equivalent are for general information only.
3. All angles are BSC.
4. The insert arrangement does not rotate with main key/keyway.

Main key/keyway polarization.

FIGURE 6. Connector intermateability dimensions (series III) - Continued.



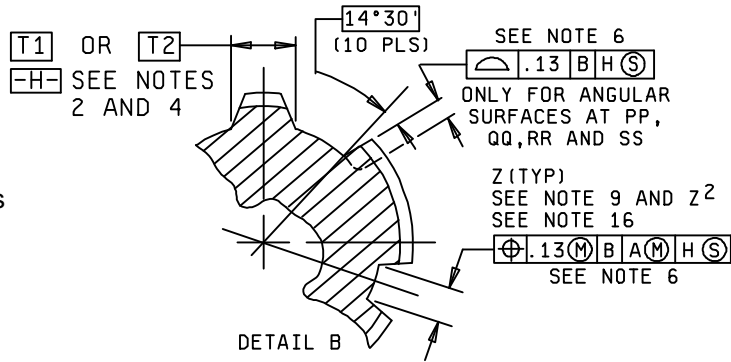
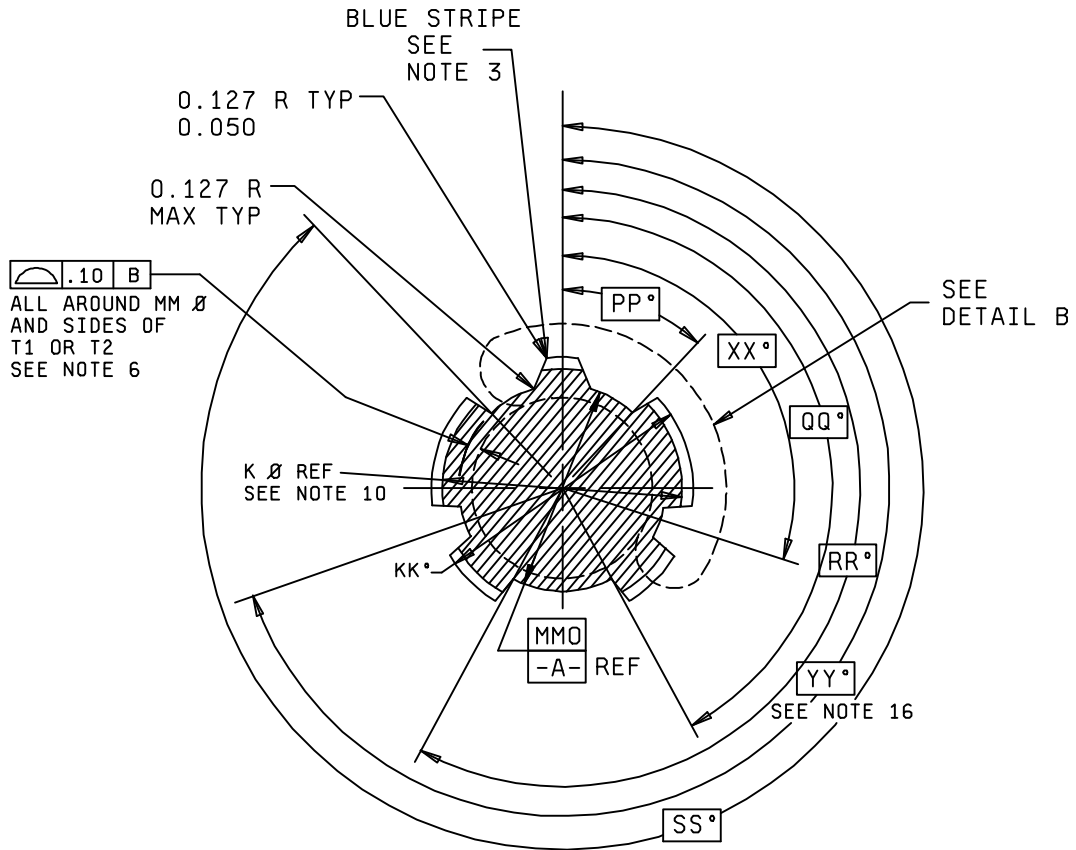
mm	Inches
.050	.004
.12	.005
.127	.005
.13	.005
.34	.013
.47	.019



PLUG, OUTER COUPLING RING

MAIN KEY/KEYWAY POLARIZATION

FIGURE 7. Connector intermateability dimensions (series IV).

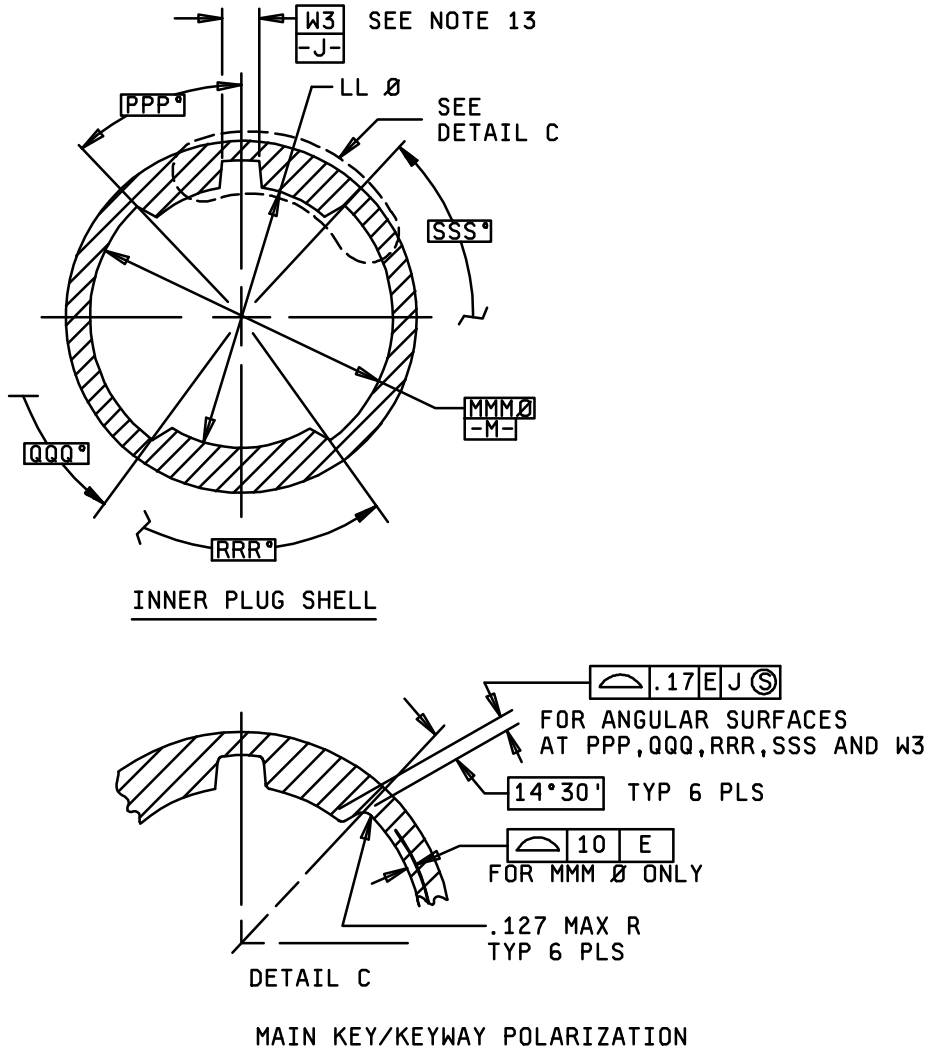


mm	Inches
.050	.002
.10	.004
.127	.005
.13	.005
.16	.006

RECEPTALE

MAIN KEY/KEYWAY POLARIZATION

FIGURE 7. Connector intermateability dimensions (series IV) - Continued.



mm	Inches
.10	.004
.127	.005
.17	.007
.20	.008

FIGURE 7. Connector intermateability dimensions (series IV) - Continued.

Shell size code 14/	Plug, inner shell							Main keyway inner shell
	Shell size	LL Dia	MMM Dia BSC	PPP BSC	QQQ BSC	RRR BSC	SSS BSC	W3 BSC 13/
B	11	13.33 (.525) 13.10 (.516)	15.01 (.591)	46°22'	149°13'	210°47'	313°38'	2.73 (.107)
C	13	16.79 (.661) 16.53 (.651)	18.34 (.722)	45°54'	149°3'	210°57'	314°6'	
D	15	19.96 (.786) 19.71 (.776)	21.49 (.846)	45°48'	149°10'	210°50'	314°12'	3.26 (.128)
E	17	23.17 (.912) 22.91 (.902)	24.66 (.971)	45°40'	149°19'	210°41'	314°20'	
F	19	26.06 (1.026) 25.81 (1.016)	27.69 (1.090)	45°34'	149°27'	210°33'	314°26'	3.76 (.148)
G	21	29.24 (1.151) 28.98 (1.141)	30.86 (1.215)	45°29'	149°29'	210°31'	314°31'	
H	23	32.41 (1.276) 32.16 (1.266)	34.14 (1.344)	45°27'	149°28'	210°32'	314°33'	4.28 (.169)
J	25	35.59 (1.401) 35.33 (1.391)	37.36 (1.471)	45°30'	149°34'	210°26'	314°30'	

## Main Key/Keyway Polarization

FIGURE 7. Connector intermateability dimensions (series IV) - Continued.

Shell Size code <u>14/</u>	Receptacle								Main key (RCPT) (BSC) <u>1/</u>	
	Shell size	MM DIA (BSC)	PP°	QQ°	RR°	SS°	Z	Z <sup>2</sup> <u>16/</u>	SKT CONT T1	PIN CONT T2 <u>4/</u>
B	11	13.09 (.515)	44°28'	151°6'	208°54'	315°32'	1.83 (.072)	2.46 (.097)	1.90 (.075)	2.78 (.109)
C	13	16.51 (.650)	44°25'	150°31'	209°29'	315°35'	1.52 (.060)	2.16 (.085)	1.94 (.076)	2.85 (.112)
D	15	19.69 (.775)	44°33'	150°24'	209°36'	315°27'	2.34 (.092)	3.23 (.127)	2.43 (.096)	3.36 (.132)
E	17	22.89 (.901)	44°36'	150°22'	209°38'	315°24'	2.03 (.080)	2.92 (.115)	2.45 (.096)	3.40 (.134)
F	19	25.79 (1.015)	44°33'	151°27'	209°33'	315°27'	2.85 (.112)	3.99 (.157)	2.96 (.117)	3.91 (.154)
G	21	28.96 (1.140)	44°34'	150°23'	209°37'	315°26'	2.54 (.100)	3.68 (.145)	2.99 (.118)	3.94 (.155)
H	23	32.14 (1.265)	44°34'	150°20'	209°40'	315°26'	3.35 (.132)	4.75 (.187)	3.50 (.138)	4.46 (.176)
J	25	35.31 (1.390)	44°42'	150°22'	209°38'	315°18'	3.04 (.120)	4.45 (.175)	3.53 (.139)	4.49 (.177)

## Polarity dimensions

Key and keyway arrangement	X° XX°	Y° YY°
N	110°	250°
A	100°	260°
B	90°	270°
C	80°	280°
D	70°	290°
K (see note 16)	120°	255°

## Main key/keyway polarization

FIGURE 7. Connector intermateability dimensions (series IV) - Continued.

Plug, outer coupling ring							
Shell size code <u>14/</u>	Shell size	L dia	M dia (BSC)	P°	Q°	R°	S°
B	11	13.26 (.522) 13.16 (.518)	16.28 (.641)	47°21'	148°13'	211°47'	312°39'
C	13	16.68 (.657) 16.58 (.653)	19.35 (.762)	46°34'	148°22'	211°38'	313°26'
D	15	19.86 (.782) 19.76 (.778)	22.50 (.886)	46°23'	148°35'	211°25'	313°37'
E	17	23.06 (.908) 22.96 (.904)	25.68 (1.011)	46°11'	148°47'	211°13'	313°49'
F	19	25.96(1.022) 25.86(1.018)	27.71 (1.091)	45°33'	149°27'	210°33'	314°27'
G	21	29.13(1.147) 29.03(1.143)	30.88 (1.216)	45°28'	149°29'	210°31'	314°32'
H	23	32.31 (1.272) 32.21 (1.268)	34.16 (1.345)	45°25'	149°29'	210°31'	314°35'
J	25	35.48 (1.397) 35.38 (1.393)	37.38 (1.472)	45°30'	149°34'	210°26'	314°30'

Plug, outer coupling ring							
Shell size code <u>14/</u>	Shell size	U	U <sup>2</sup>	UU max	UU <sup>2</sup> max	W1 BSC pin con <u>7/</u>	W2 BSKT con <u>7/</u>
B	11	1.26 (.050)	2.06 (.081)	2.42 (.095)	3.20 (.126)	1.82 (.072)	2.84 (.112)
C	13	0.95 (.037)	1.96 (.077)	2.22 (.087)	3.00 (.118)	1.85 (.073)	2.87 (.113)
D	15	1.77 (.070)	2.82 (.111)	2.76 (.109)	3.81 (.150)	2.36 (.093)	3.37 (.133)
E	17	1.46 (.057)	2.72 (.107)	2.71 (.107)	3.58 (.141)		
F	19	2.28 (.090)	3.58 (.141)	2.94 (.116)	4.24 (.167)	2.87 (.113)	3.89 (.153)
G	21	1.97 (.078)	3.48 (.137)	2.92 (.115)	4.22 (.166)		
H	23	2.78 (.109)	4.34 (.171)	3.47 (.137)	5.05 (.199)	3.37 (.133)	4.39 (.173)
J	25	2.47 (.097)	4.24 (.167)	3.47 (.137)	5.05 (.199)		

NOTES:

1. Dimensions are in millimeters, inch equivalents are in parentheses.
2. Dimensions "T1" and "T2" (main key) apply at MM Φ.
3. Color code main key or keyway.
4. Main key/keyway dimensions "T2" (RCPT/PIN) and "W2" (PLUG/SKT) are for use with polarities N through K.
5. Key and keyway arrangements defined in table apply to all shell sizes.
6. See figure 4 for datum's B, C, D, and F.
7. Dimensions "W1", "W2" (main keyway) and "UU" apply at "M" Φ.
8. Dimension "U" (polarity keys) applies at "L" Φ.
9. Dimension "Z" (polarity keys) applies at "MM" Φ.
10. See figure 4 for dimensions KΦ and KKΦ.
11. Applies to shell sizes 19 through 25 only.
12. Applies to shell sizes 11 through 17 only.
13. Dimensions "W3" applies at MMM Φ.
14. In the ready to mate position datum -G- and -J- are collinear.
15. See table XI for shell size code for part numbering.
16. For K polarization, see U<sup>2</sup>, UU<sup>2</sup>, and Z<sup>2</sup> for key/keyway dimensions width increase on "Y°" and "YY°" positions.

Main key/keyway polarization

FIGURE 7. Connector intermateability dimensions (series IV) - Continued.



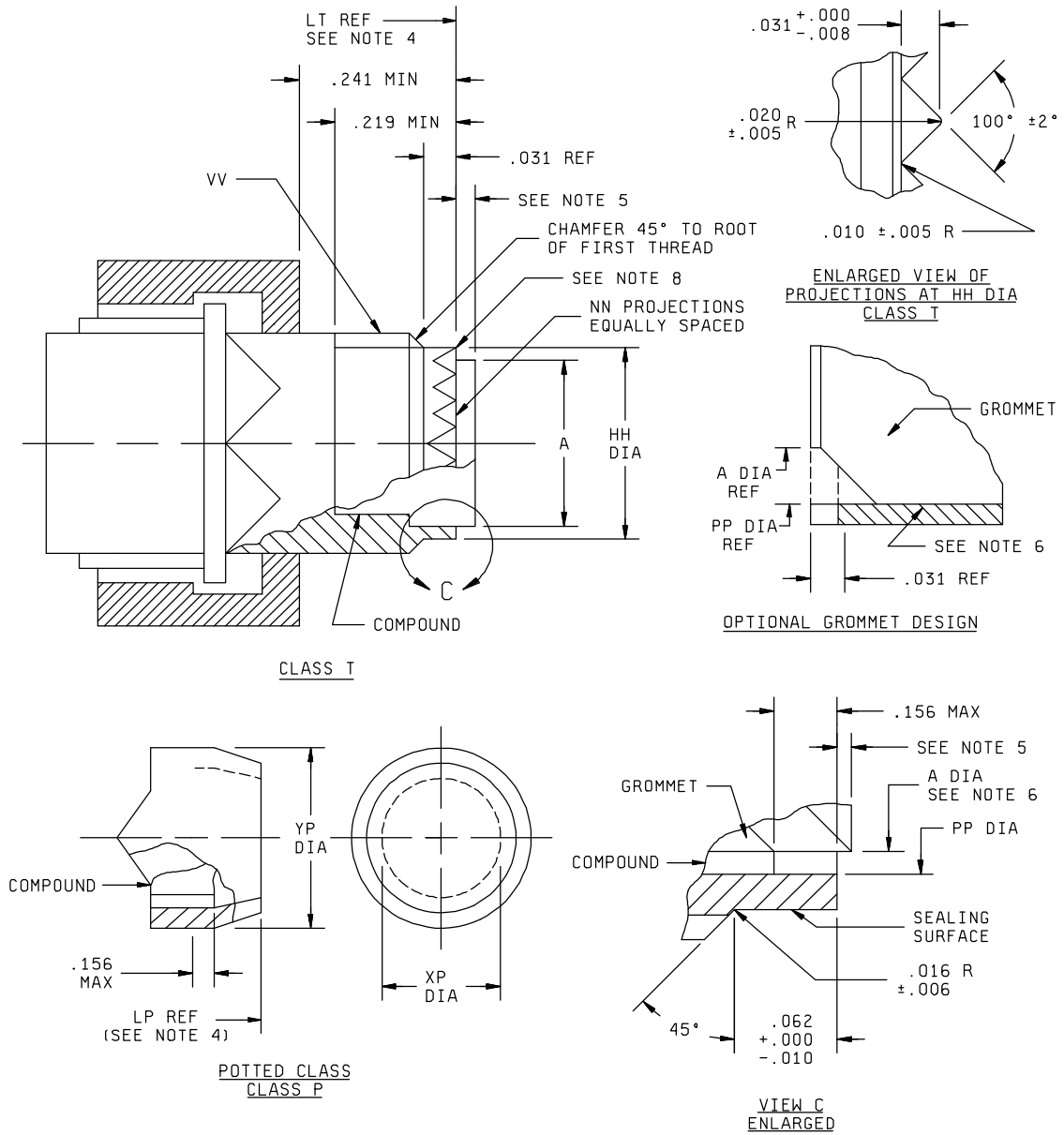


FIGURE 8. Connector accessory interface dimensions (series I).

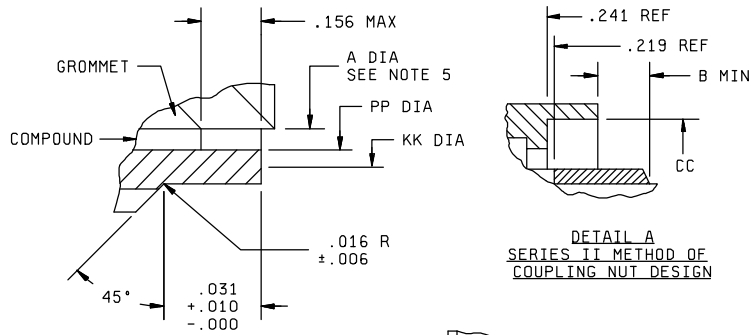
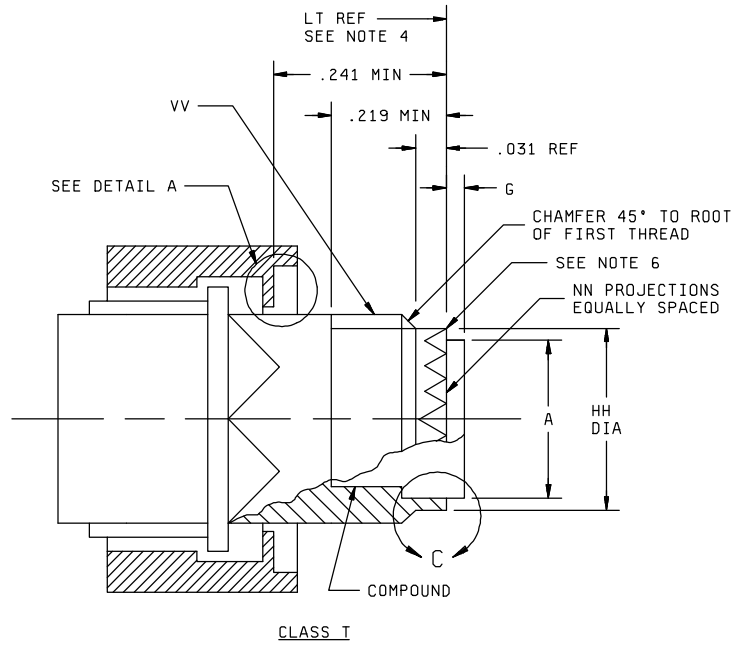
Shell size code Z/	Shell size	A dia (grommet) max	HH dia +.001 -.005	NN	PP dia ±.003	XP min dia	YP max dia	VV thread class 2A UNEF(plated) 3/
A	9	0.299	0.386	12	0.344	0.434	0.641	.4375-28
B	11	0.427	0.503	16	0.472	0.548	0.766	.5625-24
C	13	0.541	0.628	20	0.586	0.673	0.891	.6875-24
D	15	0.666	0.742	24	0.711	0.798	1.016	.8125-20
E	17	0.791	0.866	28	0.836	0.899	1.125	.9375-20
F	19	0.897	0.984	32	0.942	1.024	1.250	1.0625-18
G	21	1.022	1.109	36	1.067	1.149	1.375	1.1875-18
H	23	1.147	1.234	40	1.192	1.274	1.500	1.3125-18
J	25	1.272	1.359	44	1.317	1.399	1.625	1.4375-18

Inches	mm	Inches	mm	Inches	mm	Inches	mm	Inches	mm
.001	0.03	.299	7.59	.666	16.92	.899	22.83	1.192	30.28
.005	0.13	.344	8.73	.673	17.09	.942	23.93	1.234	31.34
.006	0.15	.386	9.80	.711	18.06	.984	24.99	1.250	31.75
.008	0.20	.427	10.85	.742	18.85	1.016	25.81	1.272	32.31
.010	0.25	.434	11.02	.766	19.46	1.022	25.96	1.274	32.36
.016	0.41	.472	11.99	.791	20.09	1.024	26.01	1.317	33.45
.020	0.51	.503	12.78	.798	20.27	1.067	27.10	1.359	34.52
.031	0.79	.541	13.74	.836	21.23	1.109	28.17	1.375	34.92
.062	1.57	.548	13.92	.866	22.00	1.125	28.58	1.399	35.53
.156	3.96	.586	14.88	.891	22.63	1.147	29.13	1.500	38.10
.219	5.56	.628	15.95	.897	22.78	1.149	29.18	1.625	41.28
.241	6.12	.641	16.28						

NOTES:

1. Dimensions are in inches.
2. Metric equivalents are given for general information only.
3. Threads may have modified major diameter.
4. For dimensions of LP and LT, see MS sheet form standards.
5. Grommet extension shall not exceed .060. For connectors containing size 10 contacts the grommet extension shall not exceed .234 inch.
6. Grommet may taper to inner diameter.
7. See table XI for shell size code for part numbering.
8. The centerline of indicated projection must be located on vertical centerline within 2° of -GG- (see main key/keyway polarization detail of figure 5).

FIGURE 8. Connector accessory interface dimensions (series I) - Continued.



VIEW C  
ENLARGED

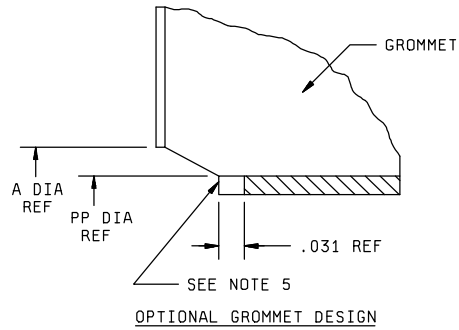
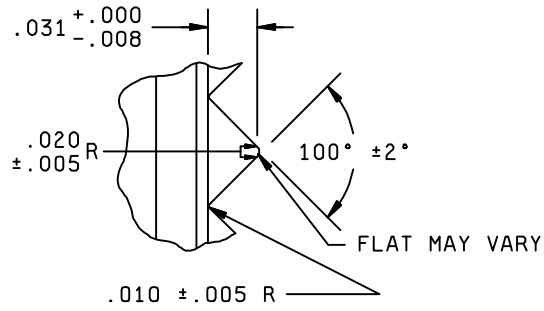
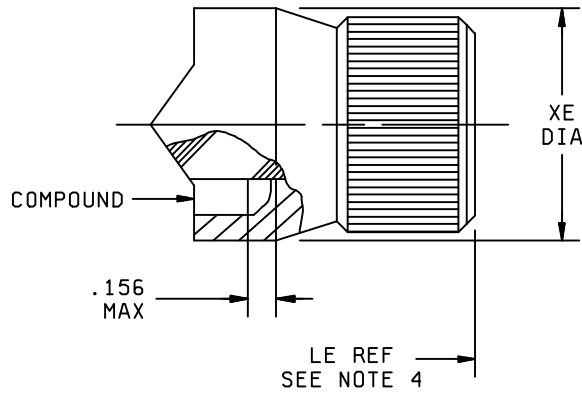


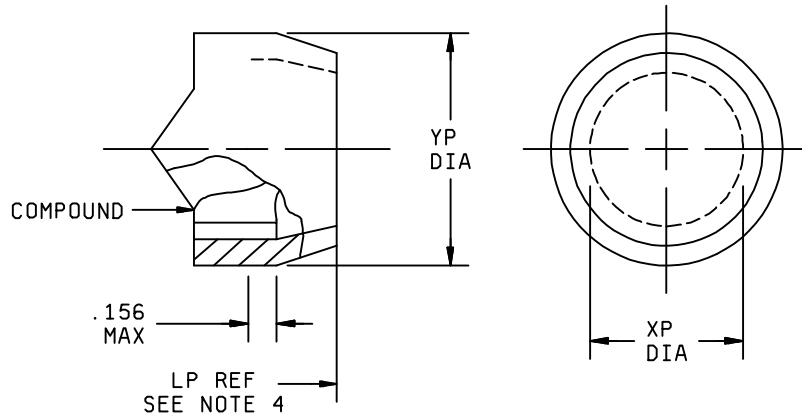
FIGURE 9. Connector accessory interface dimensions (series II).



ENLARGED VIEW OF PROJECTIONS AT HH DIA CLASS T



ENVIRONMENTAL CLASS CLASS E



POTTED CLASS CLASS P

FIGURE 9. Connector accessory interface dimensions (series II) - Continued.

Shell size	G grommet projection class T only	HH dia +.001 -.005	NN	PP dia ±.003	XE max dia	XP min dia	YP max dia	VV thread class 2A UNEF (plated) (see note 3)	A dia (grommet) max	CC min dia	B min
8	.120 ±.030	.387	12	.344	.594	.434	.641	.4375-28	.299	.578	.135
10		.515	16	.472	.719	.548	.766	.5625-24	.427	.719	
12		.628	20	.586	.844	.673	.891	.6875-24	.541	.844	
14		.754	24	.711	.969	.798	1.016	.8125-20	.666	.969	
16		.879	28	.836	1.094	.899	1.125	.9375-20	.791	1.094	
18		.985	32	.942	1.219	1.024	1.250	1.0625-18	.897	1.219	.109
20		1.110	36	1.067	1.344	1.149	1.375	1.1875-18	1.022	1.344	
22		1.235	40	1.192	1.469	1.274	1.500	1.3125-18	1.147	1.469	
24	.090 ±.050	1.360	44	1.317	1.594	1.399	1.625	1.4375-18	1.272	1.594	

## NOTES:

1. Dimensions are in inches.
2. Metric equivalents are given for general information only.
3. Thread may have modified major diameters.
4. For dimensions of LE, LP, and LT, see applicable MS sheet form standard.
5. Grommet may taper to shell inner diameter.
6. The centerline of indicated projection must be located on vertical centerline within 2° of -GG- (see main key-keyway polarization detail of figure 5).

Inches	mm	Inches	mm	Inches	mm	Inches	mm	Inches	mm
.001	0.03	.219	5.56	.641	16.28	.899	22.83	1.219	30.96
.005	0.13	.241	6.12	.666	16.92	.942	23.93	1.235	31.37
.006	0.15	.299	7.59	.673	17.09	.969	24.61	1.250	31.75
.008	0.20	.344	8.74	.711	18.06	.985	25.02	1.272	32.31
.010	0.25	.387	9.83	.719	18.26	1.016	25.81	1.274	32.36
.016	0.41	.427	10.85	.754	19.15	1.022	25.96	1.317	33.45
.020	0.51	.434	11.02	.766	19.46	1.024	26.01	1.344	34.14
.030	0.76	.472	11.99	.791	20.09	1.067	27.10	1.360	34.54
.031	0.79	.515	13.08	.798	20.27	1.094	27.79	1.375	34.92
.050	1.27	.541	13.74	.836	21.23	1.110	28.19	1.399	35.53
.090	2.29	.548	13.92	.844	21.44	1.125	28.58	1.469	37.31
.109	2.77	.578	14.68	.879	22.33	1.147	29.13	1.500	38.10
.120	3.05	.586	14.88	.891	22.63	1.149	29.18	1.594	40.49
.135	3.43	.594	15.09	.897	22.78	1.192	30.28	1.625	41.28
.156	3.96	.628	15.95						

FIGURE 9. Connector accessory interface dimensions (series II) - Continued.

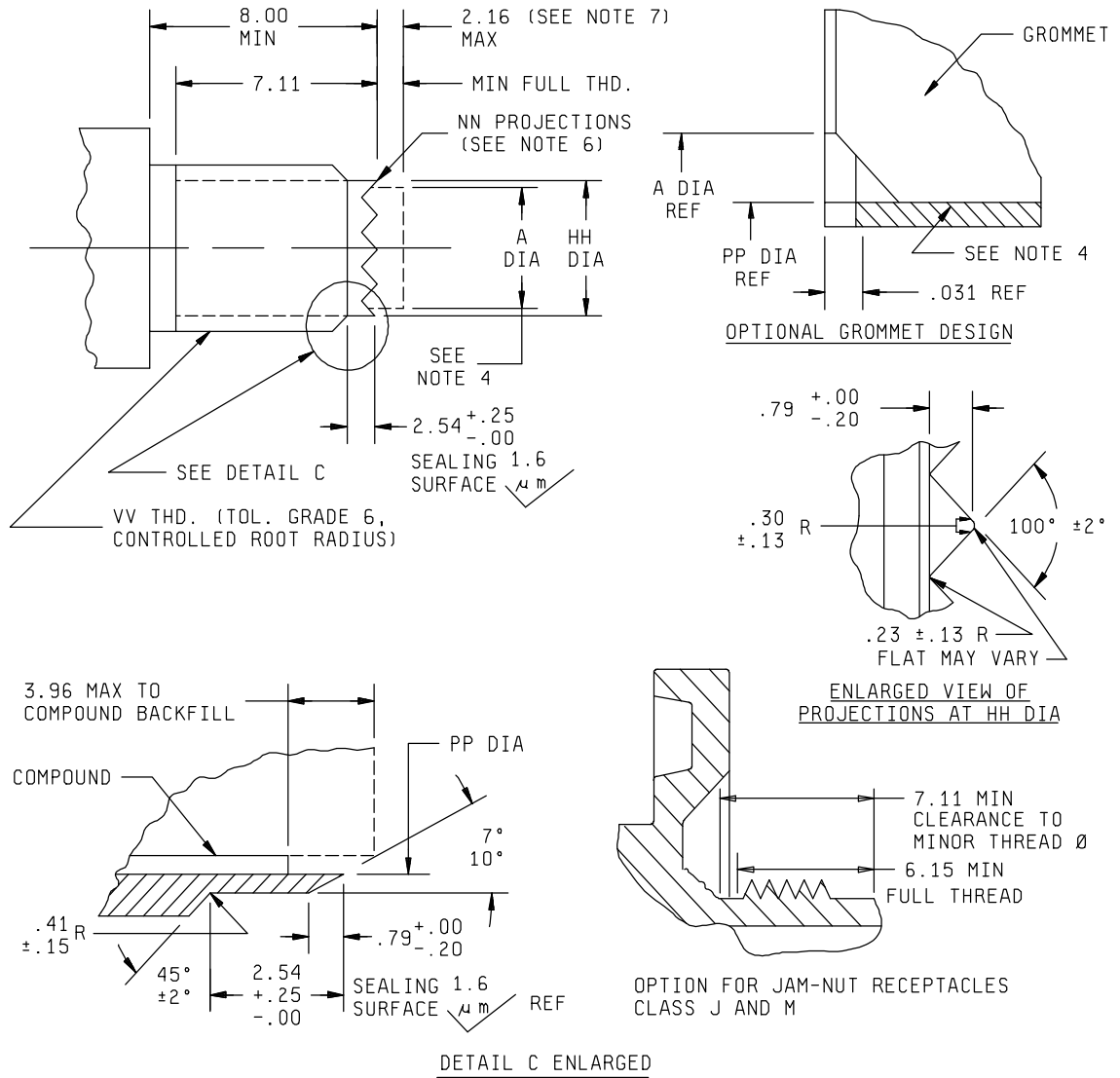


FIGURE 10. Connector accessory interface dimensions (series III and IV).

Shell size Code 5/	Shell size	A max	HH +.00, -.15	NN	PP max	VV thread
A	9	7.59 (.299)	10.57 (.416)	12	8.80 (.346)	M12x1.0-6g 0.100R
B	11	10.85 (.427)	13.56 (.534)	16	12.07 (.475)	M15x1.0-6g 0.100R
C	13	13.74 (.541)	16.58 (.653)	20	14.96 (.589)	M18x1.0-6g 0.100R
D	15	16.92 (.666)	20.57 (.810)	24	18.14 (.714)	M22x1.0-6g 0.100R
E	17	20.09 (.791)	23.57 (.928)	28	21.31 (.839)	M25x1.0-6g 0.100R
F	19	22.78 (.897)	26.57 (1.046)	32	24.00 (.945)	M28x1.0-6g 0.100R
G	21	25.96 (1.022)	29.57 (1.164)	36	27.18 (1.070)	M31x1.0-6g 0.100R
H	23	29.13 (1.147)	32.56 (1.282)	40	30.35 (1.194)	M34x1.0-6g 0.100R
J	25	32.31 (1.272)	35.56 (1.400)	44	33.53 (1.320)	M37x1.0-6g 0.100R

## NOTES:

1. Dimensions are in millimeters.
2. Inch equivalents are in parentheses.
3. Threads are to be inspected with a 6h go-gauge and a 6g no-go-gauge.
4. Grommet may taper to shell inner diameter.
5. See table XI for shell size code for part numbering.
6. The centerline of indicated projection must be located on vertical centerline within 2° of -G- (see key/keyway polarization detail of figure 6 for series III and figure 7 for series IV).
7. For size 8 and 10 contact arrangements, 5.95 maximum.

FIGURE 10. Connector accessory interface dimensions (series III and IV) - Continued.

Metric external thread dimensions (VV) for series III and IV

Designation (thread size)	Major diameter		Pitch diameter		Minor diameter	
	max	min	max	min	max	min
M12x1.0-6g 0.100R	11.974	11.794	11.324	11.206	10.747	10.557
M15x1.0-6g 0.100R	14.974	14.794	14.324	14.206	13.747	13.557
M17x1.0-6g 0.100R	16.974	16.794	16.324	16.206	15.747	15.557
M18x1.0-6g 0.100R	17.974	17.794	17.324	17.206	16.747	16.557
M20x1.0-6g 0.100R	19.974	19.794	19.324	19.206	18.747	18.557
M22x1.0-6g 0.100R	21.974	21.794	21.324	21.206	20.747	20.557
M25x1.0-6g 0.100R	24.974	24.794	24.324	24.199	23.747	23.550
M28x1.0-6g 0.100R	27.974	27.794	27.324	27.199	26.747	26.550
M31x1.0-6g 0.100R	30.974	30.794	30.324	30.199	29.747	29.550
M32x1.0-6g 0.100R	31.974	31.794	31.324	31.199	30.747	30.550
M34x1.0-6g 0.100R	33.974	33.794	33.324	33.199	32.747	32.550
M35x1.0-6g 0.100R	34.974	34.794	34.324	34.199	33.747	33.550
M37x1.0-6g 0.100R	36.974	36.794	36.324	36.199	35.747	35.550
M38x1.0-6g 0.100R	37.974	37.794	37.324	37.199	36.747	36.550
M41x1.0-6g 0.100R	40.974	40.794	40.324	40.199	39.747	39.550
M44x1.0-6g 0.100R	43.974	43.794	43.324	43.199	42.747	42.550
M47x1.0-6g 0.100R	46.974	46.794	46.324	46.199	45.747	45.550

FIGURE 10. Connector accessory interface dimensions (series III and IV) - Continued.



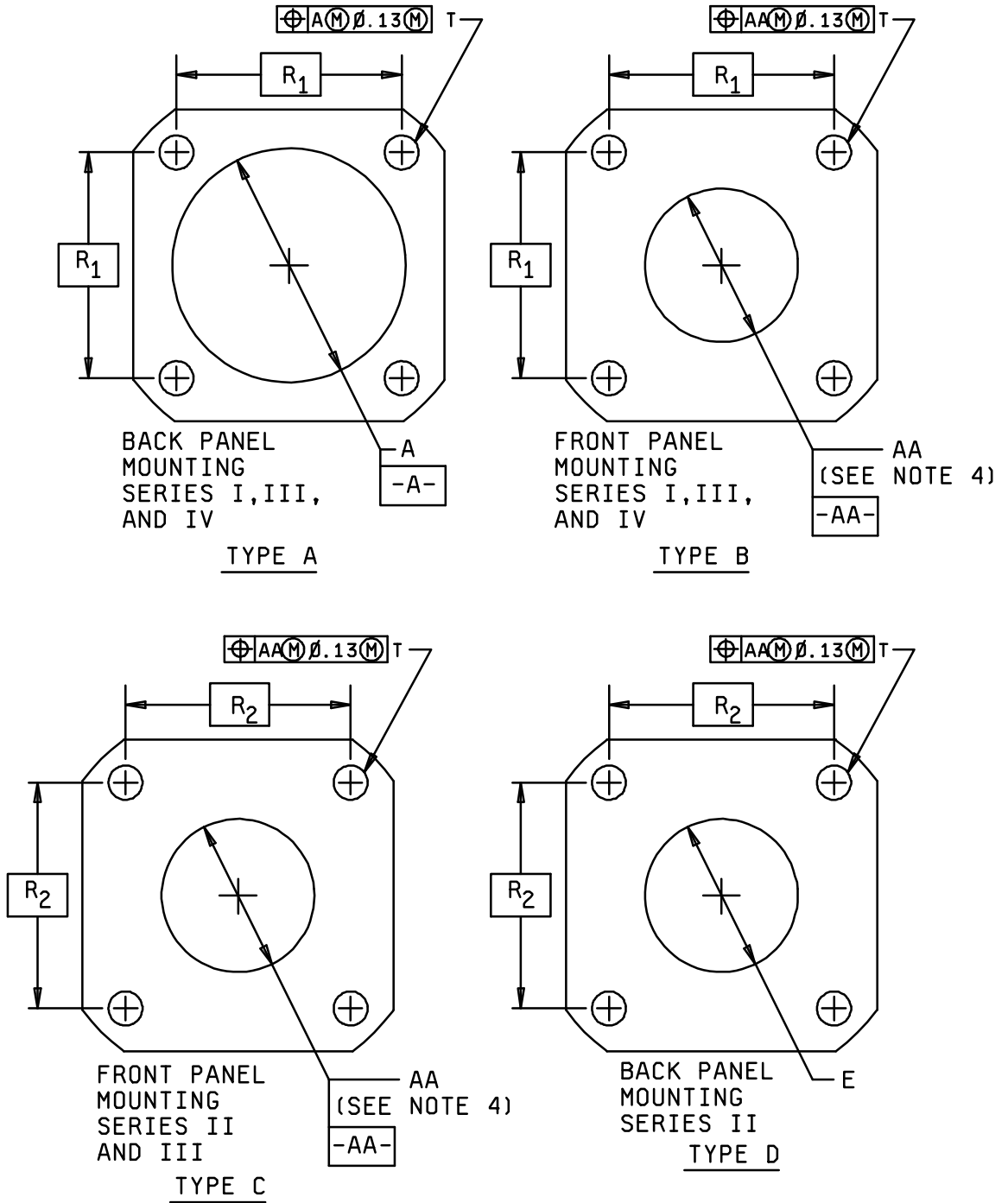
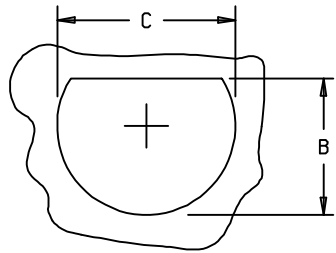
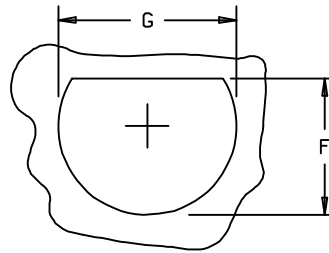


FIGURE 11. Recommended panel dimensions.



JAM NUT MOUNTING SERIES I AND III  
CRIMP AND HERMETIC, AND SERIES  
IV HERMETIC

TYPE E



JAM NUT MOUNTING SERIES II  
CRIMP AND HERMETIC, AND SERIES  
IV CRIMP

TYPE F

Shell size	A dia min	AA dia min	B +.00 -.25	C +.25 -.00	E dia min	F +.00 -.25	G +.25 -.00	R1	R2	T dia ±.13
8-9	16.66 (.656)	13.11 (.516)	17.02 (.670)	17.78 (.700)	14.15 (.557)	21.08 (.830)	22.48 (.885)	18.26 (.719)	15.09 (.594)	3.25 (.128)
10-11	20.22 (.796)	15.88 (.625)	19.59 (.771)	20.96 (.825)	17.32 (.682)	24.26 (.955)	25.65 (1.010)	20.62 (.812)	18.26 (.719)	3.25 (.128)
12-13	23.42 (.922)	19.05 (.750)	24.26 (.955)	25.65 (1.010)	21.69 (.854)	27.56 (1.085)	28.83 (1.135)	23.01 (.906)	20.62 (.812)	3.25 (.128)
14-15	26.59 (1.047)	23.01 (.906)	27.56 (1.085)	28.83 (1.135)	24.87 (.979)	30.73 (1.210)	32.01 (1.260)	24.61 (.969)	23.01 (.906)	3.25 (.128)
16-17	30.96 (1.219)	25.81 (1.016)	30.73 (1.210)	32.01 (1.260)	28.04 (1.104)	33.91 (1.335)	35.18 (1.385)	26.97 (1.062)	24.61 (.969)	3.25 (.128)
18-19	32.94 (1.297)	28.98 (1.141)	33.91 (1.335)	35.18 (1.385)	31.22 (1.229)	37.08 (1.460)	38.35 (1.510)	29.36 (1.156)	26.97 (1.062)	3.25 (.128)
20-21	36.12 (1.422)	32.16 (1.266)	37.08 (1.460)	38.35 (1.510)	34.39 (1.354)	40.26 (1.585)	41.53 (1.635)	31.75 (1.250)	29.36 (1.156)	3.25 (.128)
22-23	39.29 (1.547)	34.93 (1.375)	40.26 (1.585)	41.53 (1.635)	37.57 (1.479)	43.42 (1.709)	44.70 (1.760)	34.93 (1.375)	31.75 (1.250)	3.91 (.154)
24-25	42.47 (1.672)	37.69 (1.484)	43.43 (1.710)	44.70 (1.760)	40.74 (1.604)	46.61 (1.835)	47.88 (1.885)	38.10 (1.500)	34.93 (1.375)	3.81 (.150)

NOTES:

1. Dimensions are in millimeters.
2. Inch equivalents are in parentheses.
3. Inch equivalents are given for general information only.
4. "AA" minimum is the recommended clearance for connectors less accessories and having skirt diameters no larger than the metric thread illustrated on figure 10 (series III connector interface dimensions).

FIGURE 11. Recommended panel dimensions - Continued.

Recommended jam nut torque values			
Series II		Series I, III, and IV	
Shell size	Inch-pounds	Shell size	Inch-pounds
8	46/50	9	30/36
10	55/60	11	40/46
12	70/75	13	55/60
14	80/85	15	70/75
16	90/95	17	80/85
18	100/110	19	90/95
20	110/120	21	100/110
22	120/130	23	110/120
24	140/150	25	120/130

FIGURE 11. Recommended panel dimensions - Continued.

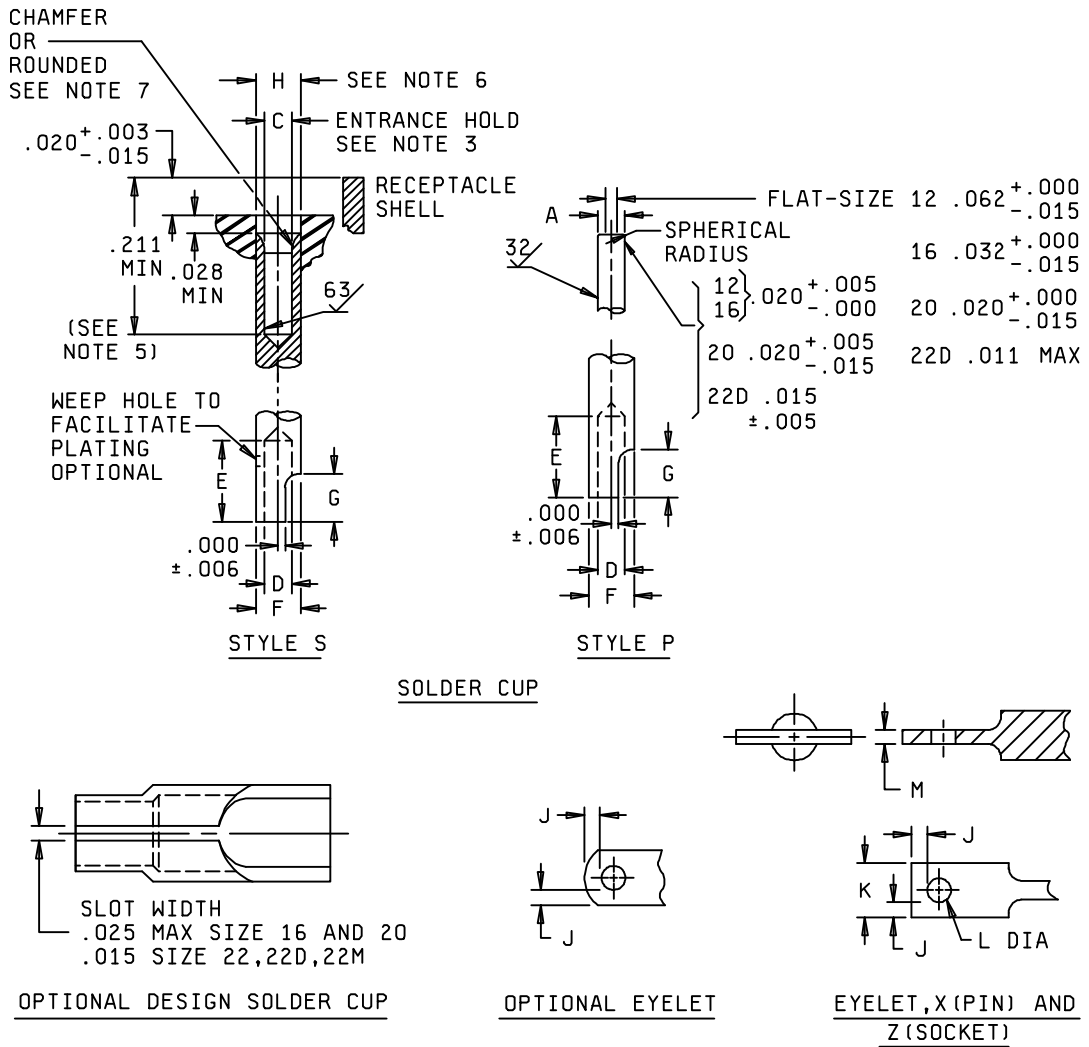


FIGURE 12. Hermetic contact configuration and dimensions.

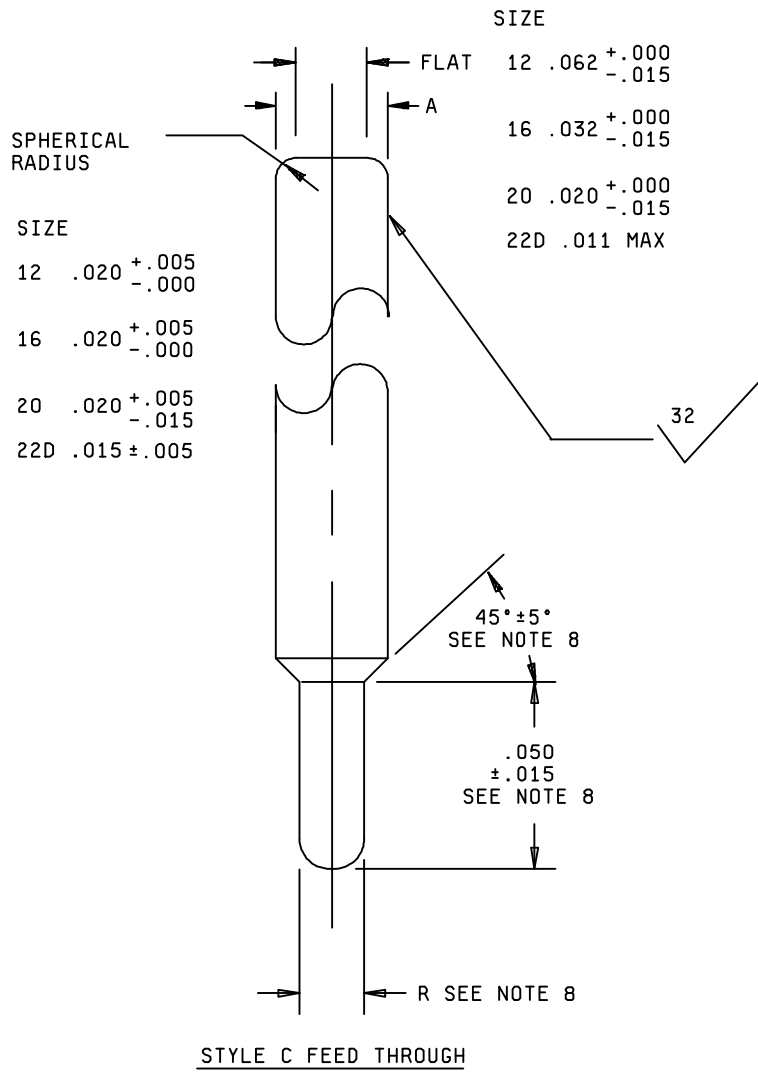


FIGURE 12. Hermetic contact configuration and dimensions - Continued.

Contact size	A	C min	D	E	F	G	H +.005 -.000	R ±.002	Inches			
									J min	K max	L min	M min
22 <u>1</u> / 22D, 22M <u>1</u> / 20	.0305 .0295	.036	.040 .035	.125 .094	.055 .051	.080 .050	0.062	.013	.010	.062	.031	.012
20	.041 .039	.045	.048 .042	.156 .125	.088 .061	.114 .068	0.071	.026	.015	.085	.042	.012
16	.0635 .0615	.067	.082 .069	.172 .141	.103 .097	.114 .068	0.104	---	.015	.118	.065	.020
12	.095 .093	.099	.120 .112	.172 .141	.142 .136	.114 .068	0.140	---	0.025	.190	.096	.020

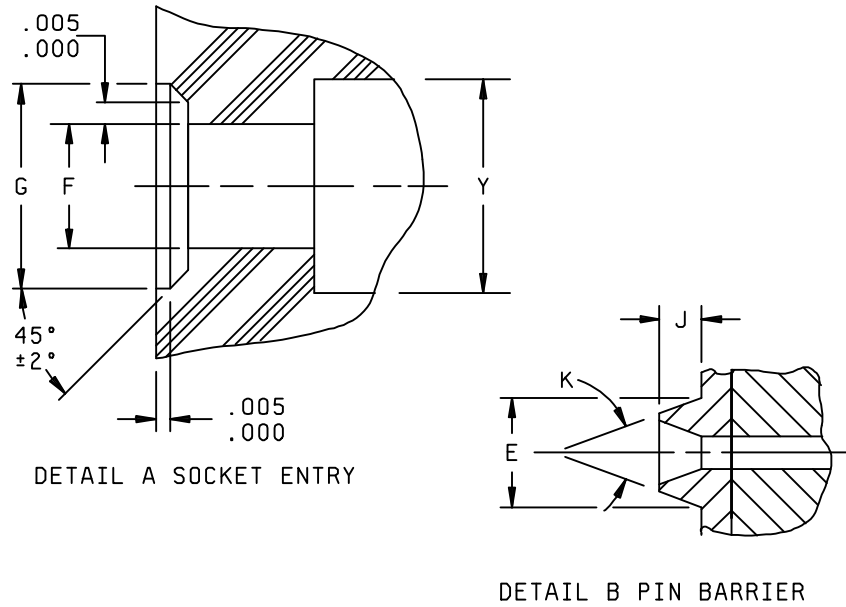
1/ Inactive for new design.

Inches	mm	Inches	mm	Inches	mm	Inches	mm	Inches	mm
.0005	0.013	.0305	0.775	.052	1.32	.080	2.03	.112	2.84
.001	0.03	.035	0.89	.055	1.40	.082	2.08	.114	2.90
.003	0.08	.036	0.91	.061	1.55	.083	2.11	.118	3.00
.005	0.13	.038	0.97	.0615	1.562	.088	2.24	.120	3.05
.006	0.15	.039	0.99	.062	1.57	.093	2.36	.125	3.18
.008	0.20	.040	1.02	.0625	1.588	.094	2.39	.136	3.45
.010	0.25	.041	1.04	.0635	1.613	.095	2.41	.140	3.56
.011	0.28	.042	1.07	.067	1.70	.097	2.46	.141	3.58
.015	0.38	.045	1.14	.068	1.73	.099	2.51	.142	3.61
.020	0.51	.048	1.22	.069	1.75	.102	2.59	.156	3.96
.028	0.71	.050	1.27	.071	1.80	.103	2.62	.172	4.37
.0295	0.749	.051	1.30	.075	1.91	.104	2.64	.211	5.36
.0300	0.762								

NOTES:

- Dimensions are in inches and over plating.
- Metric equivalents are given for general information only.
- Size 12 contacts shall refuse entry to a .102 minimum diameter pin.  
Size 16 contacts shall refuse entry to a .071 minimum diameter pin.  
Size 20 contacts shall refuse entry to a .048 minimum diameter pin.  
Size 22D contacts shall refuse entry to a .038 minimum diameter pin.  
C dimension to be maintained for .060 minimum.
- Dimensions shown effect interchangeability, function, and fit.  
Unless specified, other design features are optional.
- A .040 ±.001 diameter pin for size 20 contacts, a .0625 ±.001 diameter pin for size 16 contacts, a .094 ±.001 diameter pin for size 12 contacts, or a .0300 ±.0005 diameter pin for size 22D contacts shall enter socket to the depth indicated.
- Dimension H is the inner diameter of insert entry hole.
- Edges are not permissible.
- Dimensions shown are not applicable to size 12 and 16 contacts. The termination end for style C, size 12 and 16 contacts is dimension "N" throughout. Size 20 contacts are applicable to this design, but is inactive for new design.

FIGURE 12. Hermetic contact configuration and dimensions - Continued.



Contact size	Detail A			Detail B		
	F dia	G dia	Y dia	E dia	J	K
22 <u>1/</u> 22D	.038	.067	.0665	.077	.040	28°
22M <u>1/</u>	.035	.063	.0640	.069	.030	26°
20	.052	.089	.0860	.099	.040	28°
	.049	.085	.0830	.091	.030	26°
16	.074	.112	.1210	.122	.040	28°
	.071	.108	.1180	.114	.030	26°
12	.106	.144	.1690	.154	.040	28°
	.103	.140	.1660	.146	.030	26°

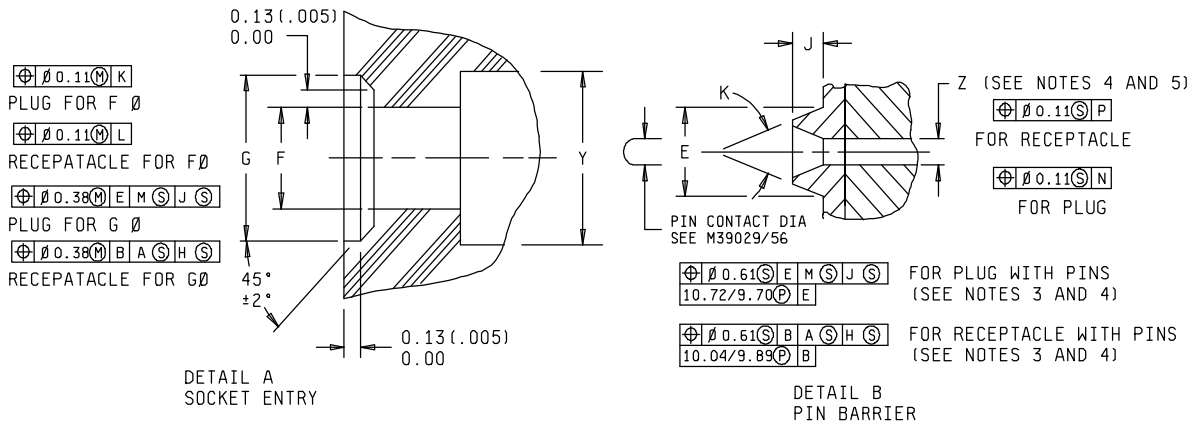
1/ Inactive for new design.

Inches	mm	Inches	mm	Inches	mm	Inches	mm
.000	0.00	.0640	.626	.0860	2.184	.1180	2.997
.005	0.13	.0665	.688	.089	2.26	.1210	3.073
.030	0.76	.067	.70	.091	2.31	.122	3.10
.035	0.89	.069	.75	.099	2.51	.140	3.56
.038	0.97	.071	.80	.103	2.62	.144	3.66
.040	1.02	.074	.88	.106	2.69	.146	3.71
.049	1.24	.077	.96	.108	2.74	.154	3.91
.052	1.32	.0830	.108	.112	2.84	.166	4.216
.063	1.60	.085	.16	.114	2.90	.169	4.293

NOTES:

1. Dimensions are in inches.
2. Metric equivalents are given for general information only.
3. Detail A is not applicable to hermetic or thru-bulkhead receptacles.

FIGURE 13. Interface design (series I and II).



Contact Size	Detail A			Detail B		
	F dia	G dia	Y dia	E dia	J	K
22 <sup>1/</sup> 22D, 22M <sup>1/</sup>	0.97 (.038) 0.89 (.035)	1.70 (.067) 1.60 (.063)	1.689 (.0665) 1.626 (.0640)	1.96 (.077) 1.75 (.069)	1.02 (.040) 0.76 (.030)	28° 26°
20	1.32 (.052) 1.24 (.049)	2.26 (.089) 2.16 (.085)	2.184 (.0860) 2.108 (.0830)	2.51 (.099) 2.31 (.091)	1.02 (.040) 0.76 (.030)	28° 26°
16	1.88 (.074) 1.80 (.071)	2.84 (.112) 2.74 (.108)	3.073 (.1210) 2.997 (.1180)	3.10 (.122) 2.90 (.114)	1.02 (.040) 0.76 (.030)	28° 26°
12	2.69 (.106) 2.62 (.103)	3.66 (.144) 3.56 (.140)	4.293 (.1690) 4.216 (.1660)	3.91 (.154) 3.71 (.146)	1.02 (.040) 0.76 (.030)	28° 26°

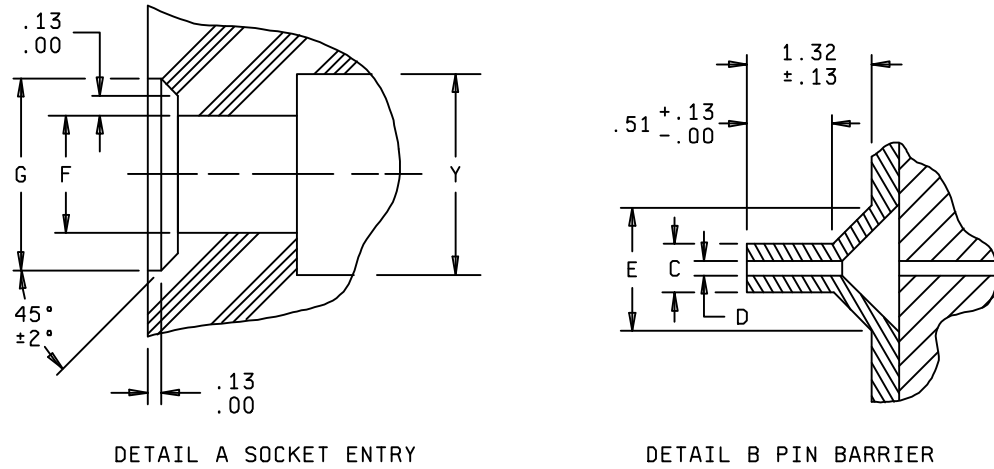
<sup>1/</sup> Inactive for new design.

NOTES:

1. Dimensions are in millimeters, inch equivalents are in parentheses.
2. Detail A is not applicable to hermetic or thru-bulkhead receptacles.
3. Position tolerance is for pin contact only.
4. See figures 4 and 7 for datum A, B, D, E, H, J, K, L, M, N, AND P.
5. Z is undefined for pin contact in pin insert.

FIGURE 14. Interface design (series IV).





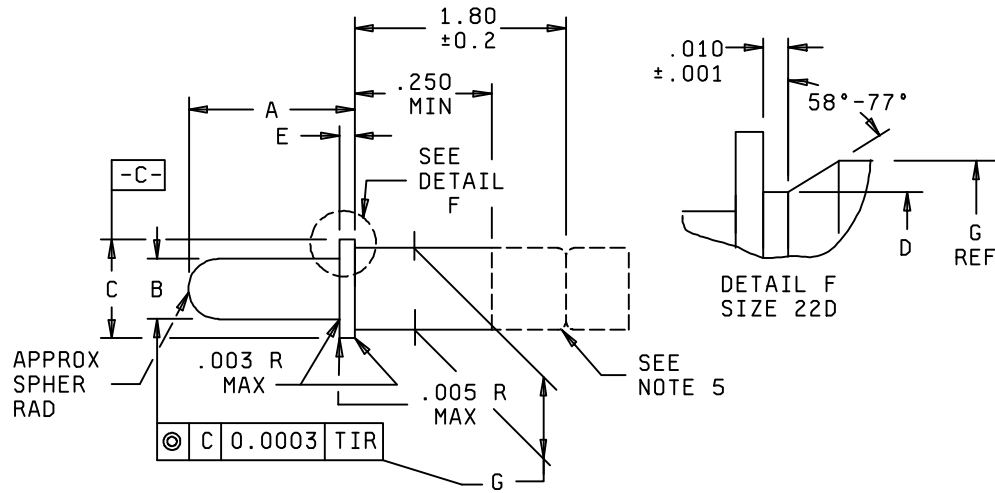
Contact size	Detail A		Detail B		
	F dia	G dia	E dia	C dia	D dia max
22D	0.97 (.038)	1.70 (.067)	1.88 (.074)	1.35 (.053)	0.71 (.028)
	0.89 (.035)	1.60 (.063)	1.75 (.069)	1.27 (.050)	
20	1.32 (.052)	2.26 (.089)	2.44 (.096)	1.91 (.075)	0.97 (.039)
	1.24 (.049)	2.16 (.085)	2.31 (.091)	1.83 (.072)	
16	1.88 (.074)	2.84 (.112)	3.02 (.119)	2.49 (.098)	1.52 (.060)
	1.80 (.071)	2.74 (.109)	2.90 (.114)	2.41 (.095)	
12	2.69 (.106)	3.66 (.144)	3.84 (.151)	3.30 (.130)	2.34 (.092)
	2.62 (.103)	3.56 (.140)	3.71 (.146)	3.23 (.127)	
10	3.48 (.137)	4.45 (.175)	4.62 (.182)	4.09 (.161)	3.12 (.123)
	3.40 (.134)	4.34 (.171)	4.50 (.177)	4.01 (.158)	
8 Triax	5.84 (.230)	6.81 (.268)	7.06 (.278)	6.50 (.256)	5.49 (.216)
	5.77 (.227)	6.71 (.264)	6.93 (.273)	6.38 (.251)	

NOTES:

1. Dimensions are in millimeters.
2. Inch equivalents are in parentheses.
3. Detail A is not applicable to hermetic or thru-bulkhead receptacles.

FIGURE 15. Interface design (series III).

MIL-DTL-38999K



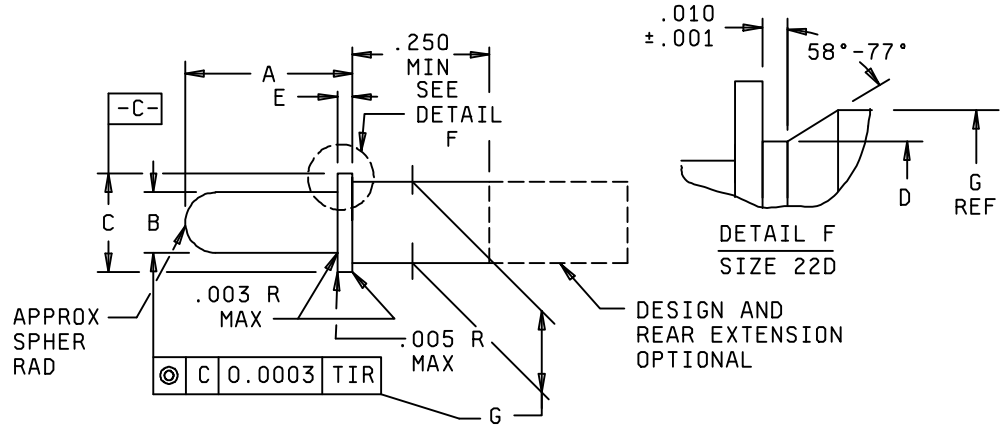
Inches	mm	Inches	mm	Inches	mm
.0002	0.005	.0390	0.991	.1270	3.226
.0003	0.008	.0410	1.041	.1510	3.835
.0005	0.013	.0480	1.219	.1790	4.547
.001	0.03	.0600	1.524	.2130	5.41
.003	0.08	.0615	1.562	.2170	5.51
.005	0.13	.0700	1.778	.2380	6.05
.010	0.25	.0910	2.311	.250	6.35
.02	0.5	.0930	2.362	.2760	7.01
.0295	0.749	.1030	2.616	.2950	7.493
.0330	0.838	.1240	3.15	1.80	45.7

Contact size	A	B dia	C dia	D dia	E	G dia
	+0.0005 -0.0000	+0.0002 -0.0000	+0.0002 -0.0000	+0.0000 -0.0002	+0.0000 -0.0002	+0.0000 -0.0002
22D	.2950	.0295	.0600	.0410	.0330	.0480
20	"	.0390	.0910	---	"	.0700
16	"	.0615	.1270	---	"	.1030
12	"	.0930	.1790	---	"	.1510
10	"	.1240	.2380	---	"	.2130
8 triax	"	.2170	.3110	---	"	.2760

NOTES:

1. Dimensions are in inches.
2. Metric equivalents are given for general information only.
3. Material: Hardened tool steel.
4. Finish: 32 microinches polished.
5. Design of rear extension is optional, but must have a groove provided as indicated.

FIGURE 16. Test gauge, pin, gauge location, and retention (all series).



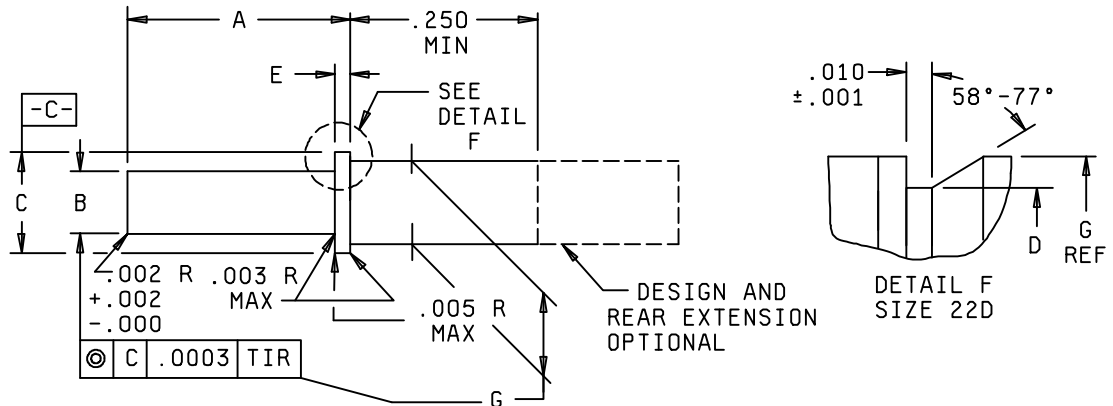
Inches	mm	Inches	mm	Inches	mm
.0002	0.005	.0410	1.041	.1510	3.835
.0003	0.008	.0480	1.219	.1790	4.547
.0005	0.013	.0600	1.524	.2130	5.41
.001	0.03	.0615	1.562	.2170	5.51
.003	0.08	.0700	1.778	.2380	6.05
.005	0.13	.0910	2.311	.250	6.35
.010	0.25	.0930	2.362	.2760	7.01
.0290	0.737	.1030	2.616	.3000	7.620
.0295	0.749	.1240	3.15	.3110	7.899
.0390	0.991	.1270	3.226		

Contact size	A	B dia	C dia	D dia	E	G dia
	+0.0005 -0.0000	+0.0002 -0.0000	+0.0002 -0.0000	+0.0000 -0.0002	+0.0000 -0.0002	+0.0000 -0.0002
22D	.3000	.0295	.0600	.0410	.0290	.0480
20	"	.0390	.0910	---	"	.0700
16	"	.0615	.1270	---	"	.1030
12	"	.0930	.1790	---	"	.1510
10	"	.1240	.2380	---	"	.2130
8 triax	"	.2170	.3110	---	"	.2760

NOTES:

1. Dimensions are in inches.
2. Metric equivalents are given for general information only.
3. Material: Hardened tool steel.
4. Finish: 32 microinches polished.

FIGURE 17. Test gauge, pin, gauge location (all series).



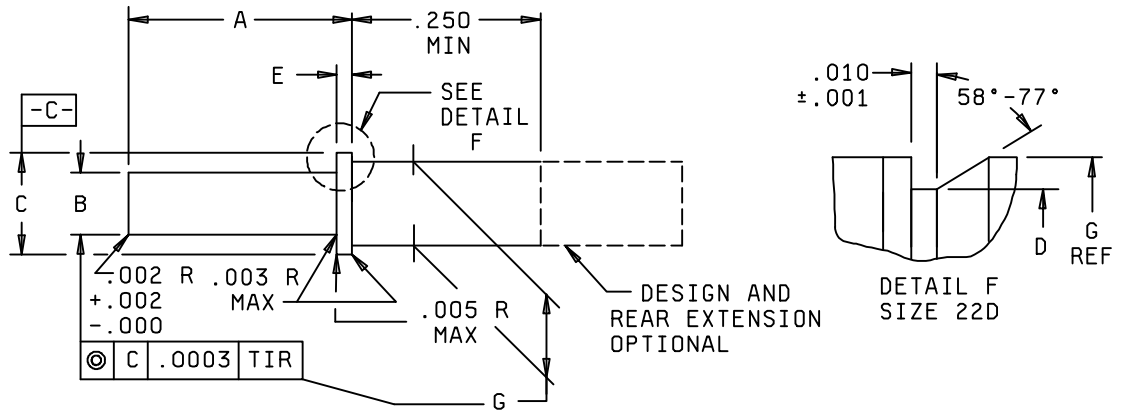
Inches	mm	Inches	mm	Inches	mm
.0002	0.005	.0480	1.219	.1790	4.547
.0003	0.008	.0600	1.524	.2130	5.41
.0005	0.013	.0700	1.778	.2190	5.56
.001	0.03	.0770	1.956	.2380	6.05
.002	0.05	.0910	2.311	.250	6.35
.003	0.08	.1030	2.616	.2760	7.01
.005	0.13	.1120	2.845	.2870	7.29
.010	0.25	.1270	3.226	.5850	14.859
.0330	0.838	.1510	3.835	.5900	14.99
.0410	1.041	.1600	4.064		

Contact size	A +.0005 -.0000	B dia +.0002 -.0000	C dia +.0002 -.0000	D dia +.0000 -.0002	E +.0000 -.0002	G dia +.0000 -.0002
22D	.5850	.0600	.0600	.041	---	.0480
20	"	.0770	.0910	---	.0330	.0700
16	"	.1120	.1270	---	"	.1030
12	"	.1600	.1790	---	"	.1510
10	"	.2190	.2380	---	"	.2130
8 triax	.5900	.2870	.3110	---	"	.2760

NOTES:

1. Dimensions are in inches.
2. Metric equivalents are given for general information only.
3. Material: Hardened tool steel.
4. Finish: 32 microinches polished.
5. Dimension A conforms to point of spring engagement (C and Y, figures 1, 3, and 4).

FIGURE 18. Test gauge, socket, gauge location (series I, III, and IV).

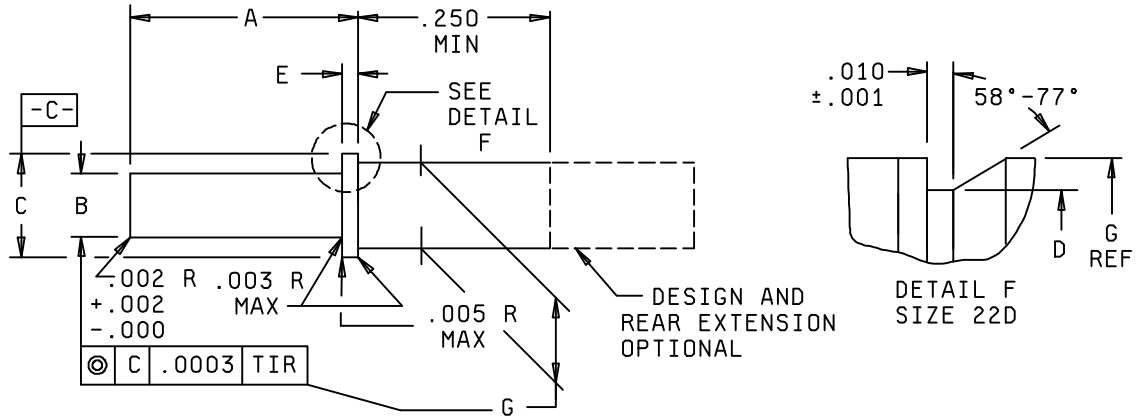


Contact size	A +.0005 -.0000	B dia +.0002 -.0000	C dia +.0002 -.0000	D dia +.0000 -.0002	E +.0000 -.0002	G dia +.0000 -.0002
22D	.2480	.0600	.0600	.0410	---	.0480
20	"	.0770	.0910	---	.0330	.0700
16	"	.1120	.1270	---	"	.1030
12	"	.1600	.1790	---	"	.1510

NOTES:

1. Dimensions are in inches.
2. Metric equivalents are given for general information only.
3. Material: Hardened tool steel.
4. Finish: 32 microinches polished.
5. Dimension A conforms to point of spring engagement (C and Y, figure 2).

FIGURE 19. Test gauge, socket, gauge location (series II).



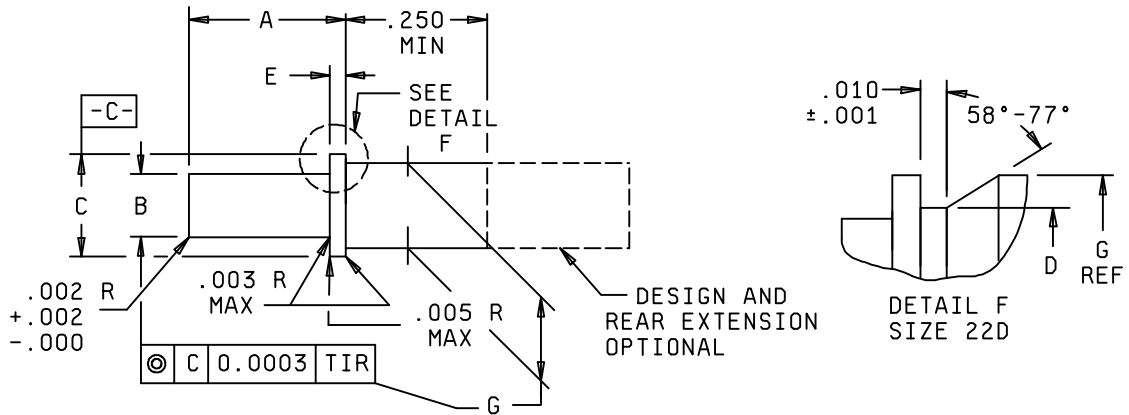
Inches	mm	Inches	mm	Inches	mm
.0002	0.005	.0480	1.219	.1790	4.547
.0003	0.008	.0600	1.524	.2130	5.41
.0005	0.013	.0700	1.778	.2190	5.56
.001	0.03	.0770	1.956	.2380	6.05
.002	0.05	.0910	2.311	.250	6.35
.003	0.08	.1030	2.616	.2760	7.01
.005	0.13	.1120	2.845	.2870	7.29
.010	0.25	.1270	3.226	.3110	7.90
.0330	0.838	.1510	3.835	.6260	15.900
.0410	1.041	.1600	4.064	.6310	16.03

Contact size	A +.0005 -.0000	B dia +.0002 -.0000	C dia +.0002 -.0000	D dia +.0000 -.0002	E +.0000 -.0002	G dia +.0000 -.0002
22D	.6260	.0600	.0600	.0410	---	.0480
20	"	.0770	.0910	---	.0330	.0700
16	"	.1120	.1270	---	"	.1030
12	"	.1600	.1790	---	"	.1510
10	"	.2190	.2380	---	"	.2130
8 triax	.6310	.2870	.3110	---	"	.2760

NOTES:

1. Dimensions are in inches.
2. Metric equivalents are given for general information only.
3. Material: Hardened tool steel.
4. Finish: 32 microinches polished.

FIGURE 20. Test gauge, socket, retention (series I, III, and IV).



Inches	mm	Inches	mm	Inches	mm
.0002	0.005	.0330	0.838	.1120	2.845
.0003	0.008	.0410	1.041	.1270	3.226
.0005	0.013	.0480	1.219	.1510	3.835
.001	0.03	.0600	1.524	.1600	4.064
.002	0.05	.0700	1.778	.1790	4.547
.003	0.08	.0770	1.956	.250	6.35
.005	0.13	.0910	2.311	.2890	7.341
.010	0.25	.1030	2.616		

Contact size	A +.0005 -.0000	B dia +.0002 -.0000	C dia +.0002 -.0000	D dia +.0000 -.0002	E +.0000 -.0002	G dia +.0000 -.0002
22D	.2890	.0600	.0600	.0410	---	.0480
20	"	.0770	.0910	---	.0330	.0700
16	"	.1120	.1270	---	"	.1030
12	"	.1600	.1790	---	"	.1510

NOTES:

1. Dimensions are in inches.
2. Metric equivalents are given for general information only.
3. Material: Hardened tool steel.
4. Finish: 32 microinches polished.

FIGURE 21. Test gauge, socket, retention (series II).

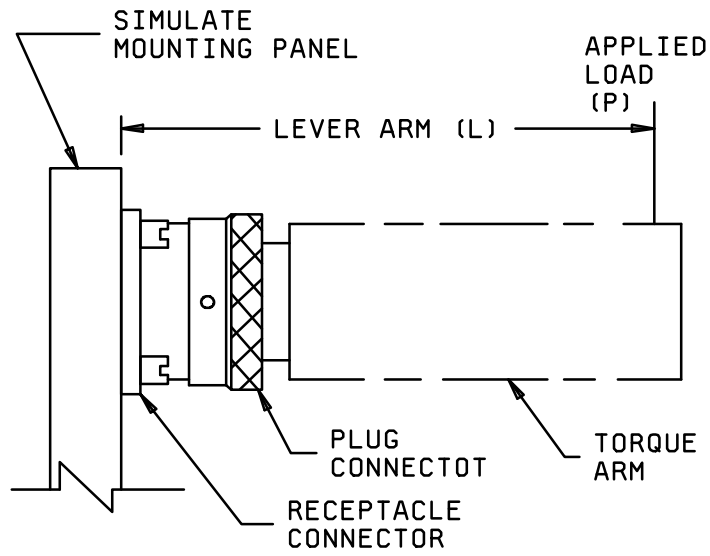


FIGURE 22. External bending moment test setup.

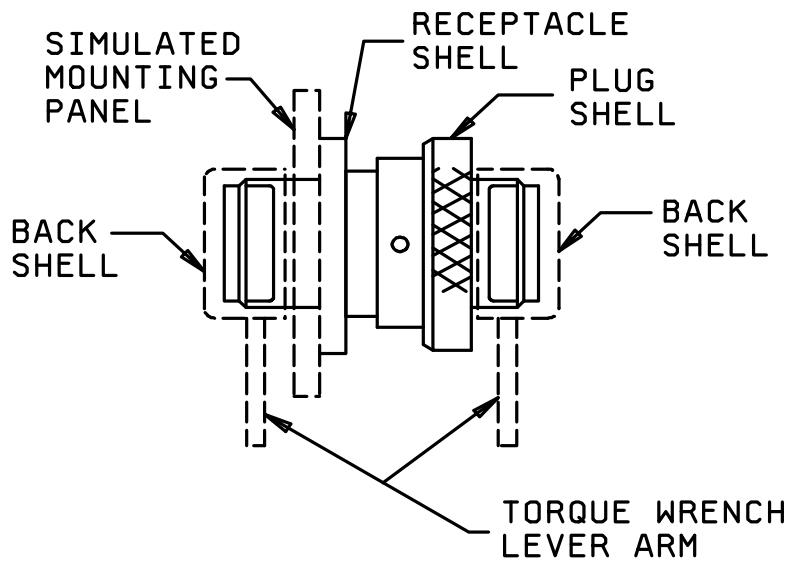
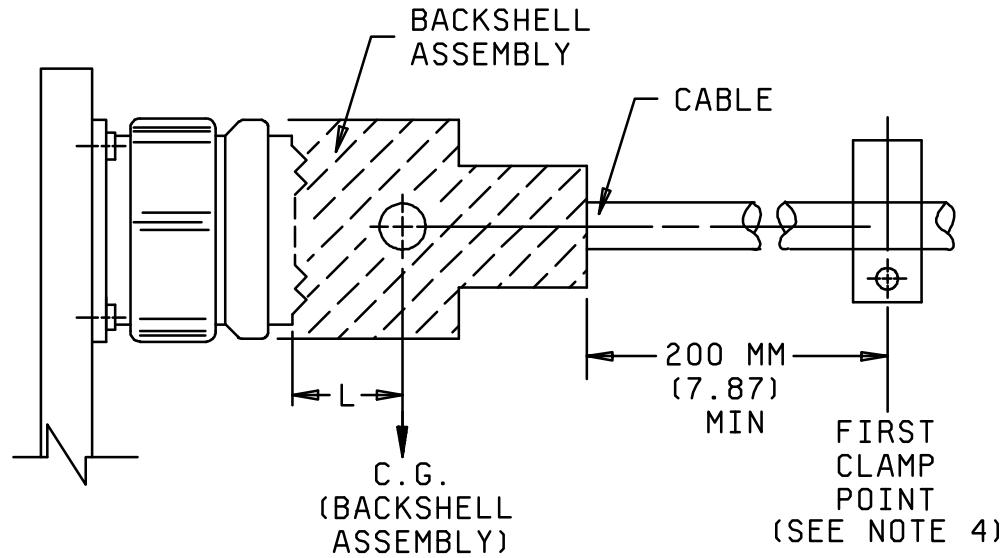


FIGURE 23. Rear accessory thread strength test





Shell size	L (mm) Root to C.G. +10% -0%	Wt. (kg) Backshell Assembly +10% -0%
9	15.24	.05
11	17.78	.06
13	19.05	.07
15	19.05	.09
17	19.05	.11
19	22.86	.18
21	22.86	.22
23	23.37	.25
25	23.37	.31

NOTES:

1. Dimensions are in millimeters.
2. Shape of test accessory is optional.
3. The test accessory may include a strain relief clamp.
4. For series III, clamp point to be located on vibration table, and cable weight between rear of grommet and tie down clamp point to be considered a portion of the backshell assembly weight. Clamp point for series I and IV is to be on nonvibrating member.

FIGURE 24. Series I, III, and IV vibration test accessory.

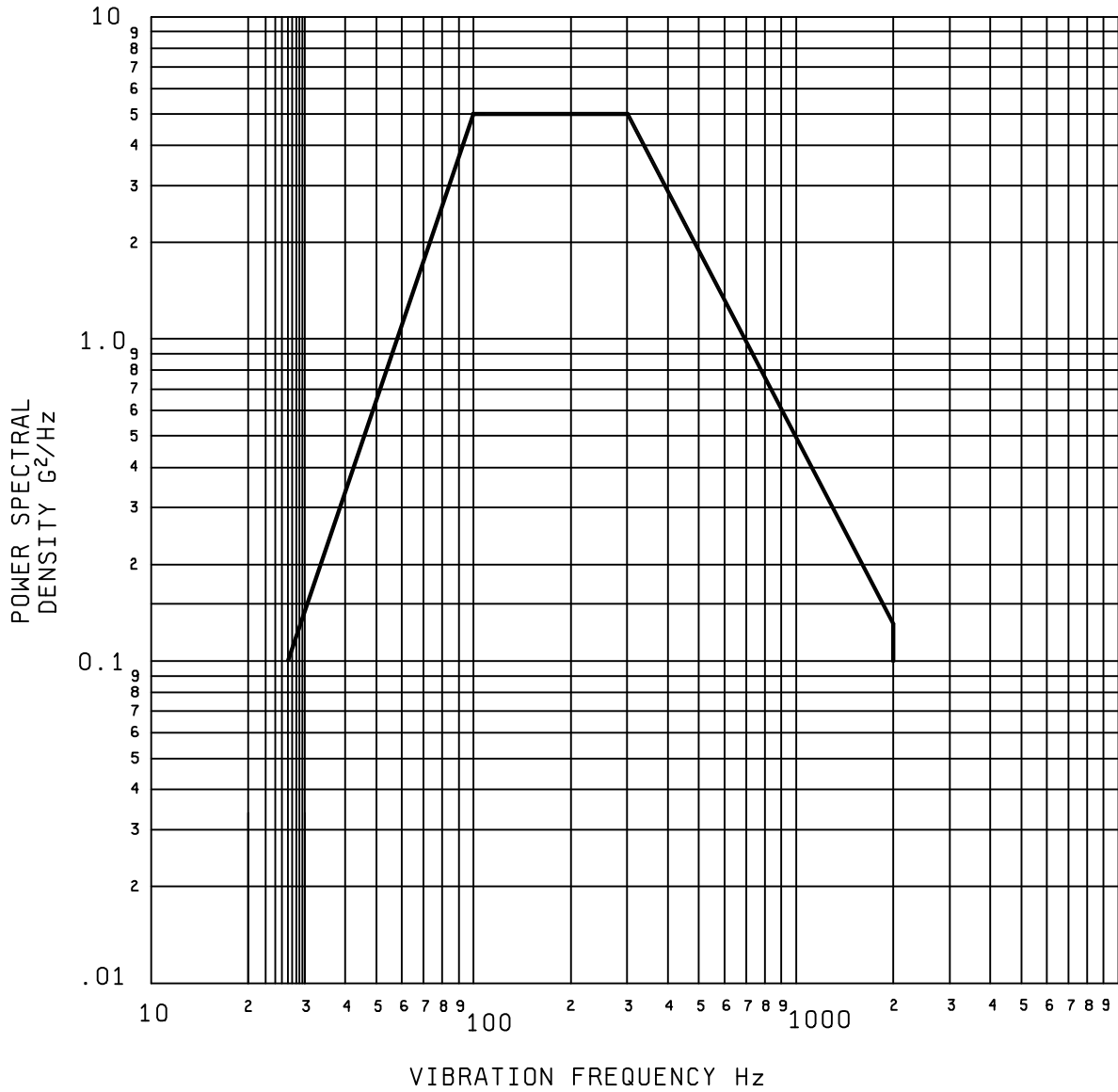


FIGURE 25. Random vibration (series I, III and IV).

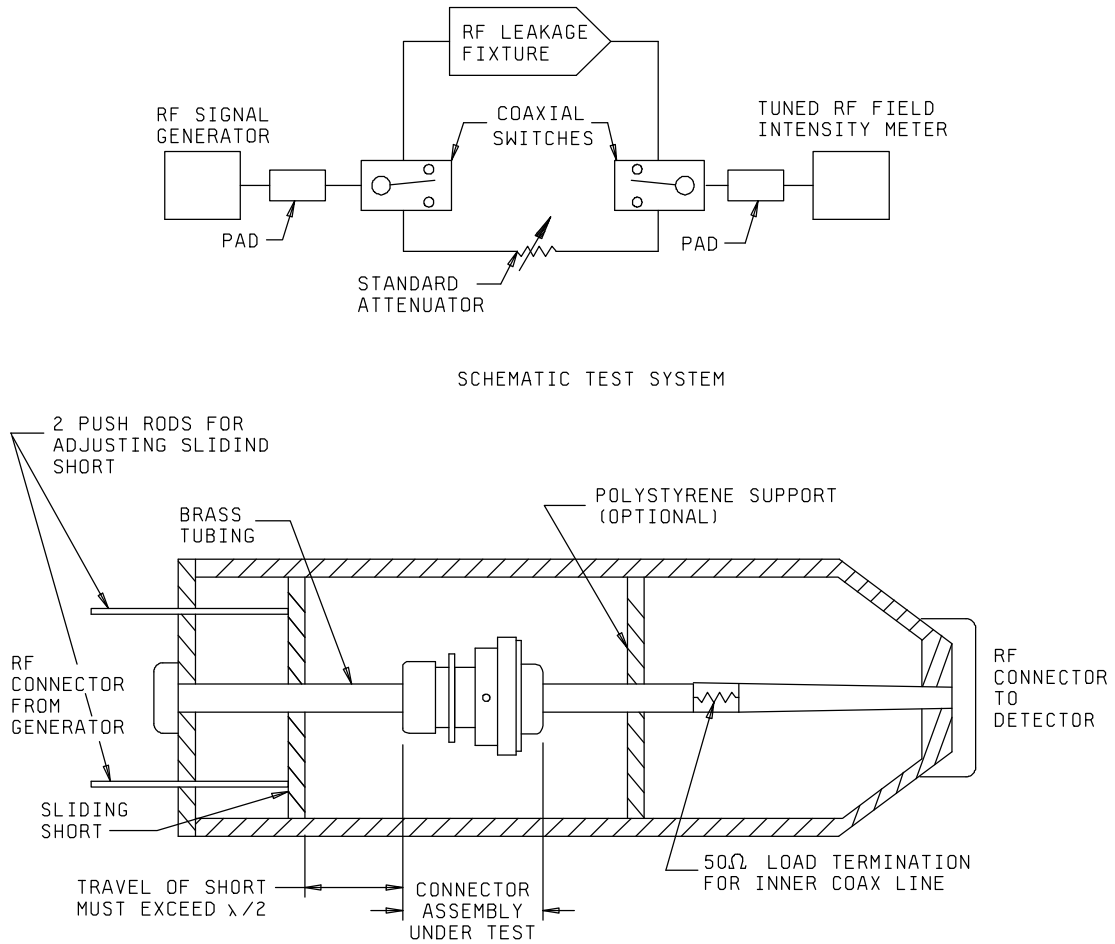
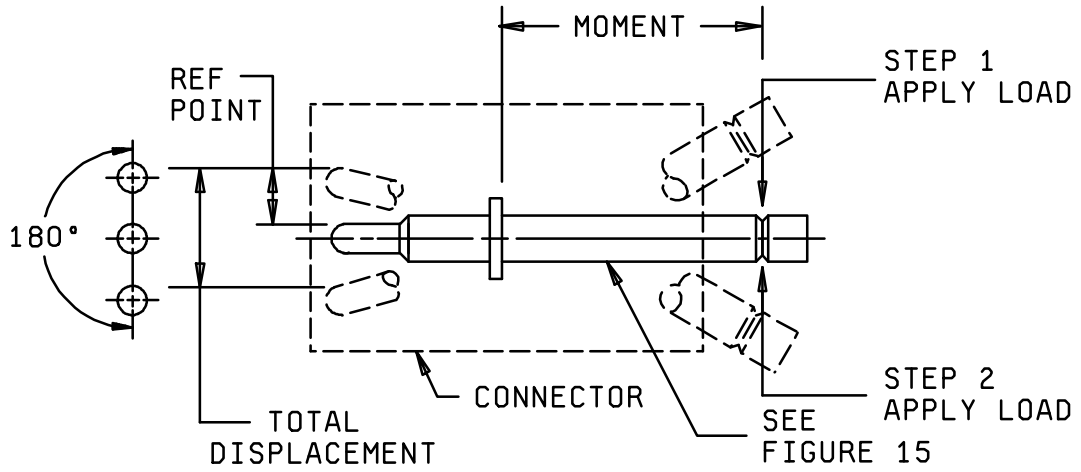


FIGURE 26. RFI leakage test fixture.



Step 1 - Apply load to determine reference point.

Step 2 - Apply load to opposite direction (180°) and measure total displacement.

FIGURE 27. Pin contact stability test.

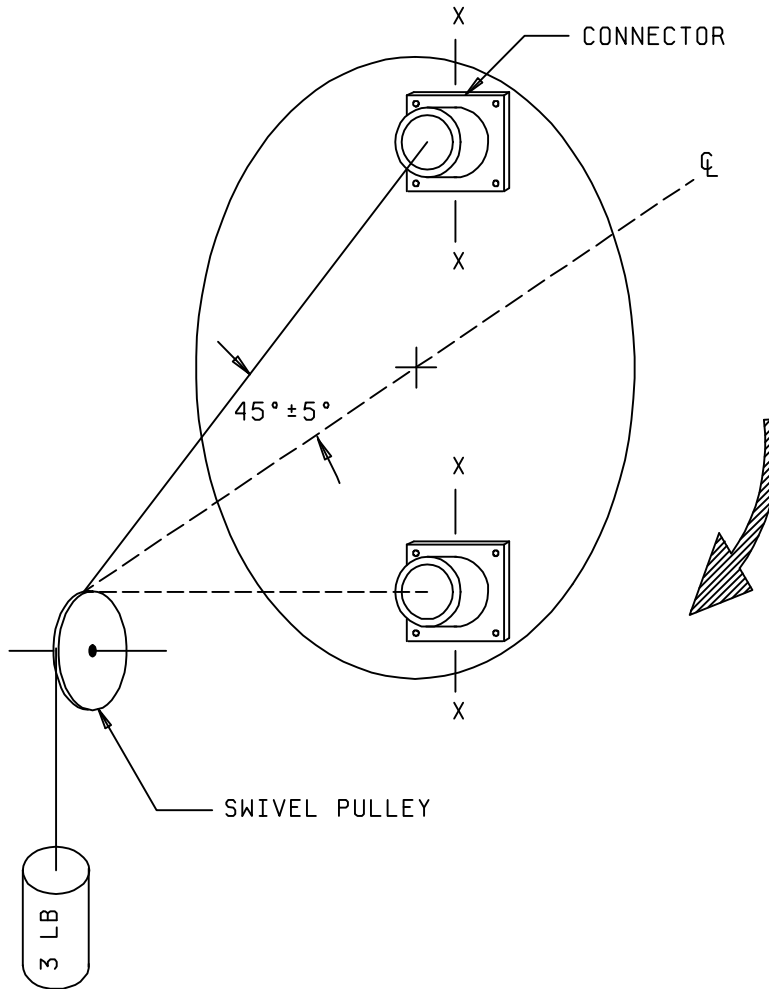


FIGURE 28. Contact walk-out test setup.

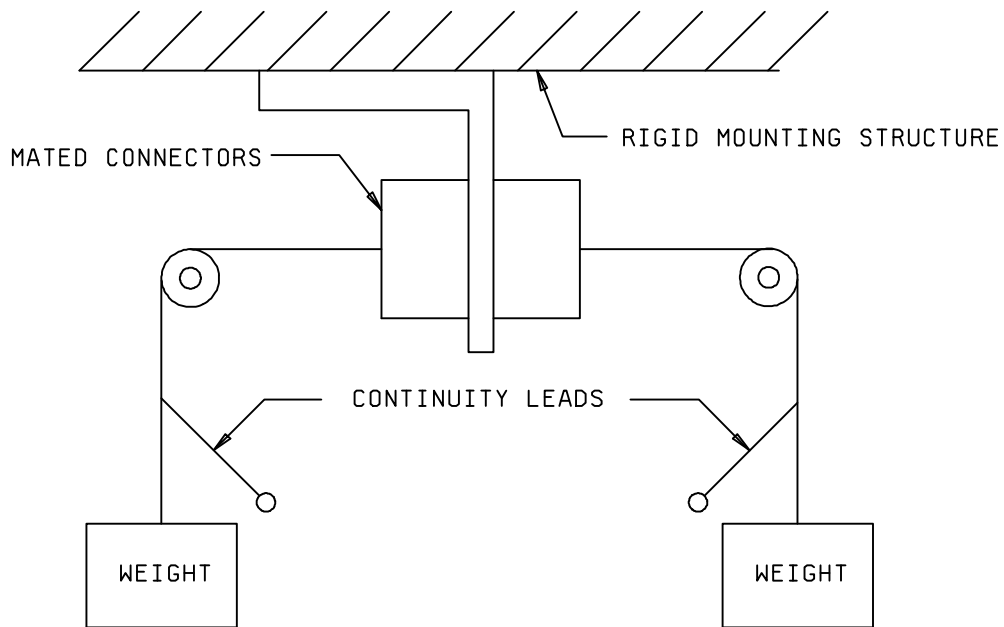


FIGURE 29. Typical fixturing for temperature life with contact loading (orientation optional).

### CONCLUDING MATERIAL

Custodians:  
Army - CR  
Navy - AS  
Air Force - 85  
DLA - CC

Preparing activity:  
DLA - CC

(Project 5935-4157)

Review activities:  
Army - AR, MI  
Navy - EC, MC, OS  
Air Force - 11, 17, 19, 99  
DLA - IS

**STANDARDIZATION DOCUMENT IMPROVEMENT PROPOSAL**

**INSTRUCTIONS**

1. The preparing activity must complete blocks 1, 2, 3, and 8. In block 1, both the document number and revision letter should be given.
2. The submitter of this form must complete blocks 4, 5, 6, and 7.
3. The preparing activity must provide a reply within 30 days from receipt of the form.

NOTE: This form may not be used to request copies of documents, nor to request waivers, or clarification of requirements on current contracts. Comments submitted on this form do not constitute or imply authorization to waive any portion of the referenced document(s) or to amend contractual requirements.

**I RECOMMEND A CHANGE:**

**1. DOCUMENT NUMBER**  
MIL-DTL-38999K

**2. DOCUMENT DATE (YYMMDD)**

**3. DOCUMENT TITLE** CONNECTORS, ELECTRICAL, CIRCULAR, MINIATURE, HIGH DENSITY, QUICK DISCONNECT (BAYONET, THREADED, AND BREECH COUPLING), ENVIRONMENT RESISTANT, REMOVABLE CRIMP AND HERMETIC SOLDER CONTACTS, GENERAL SPECIFICATION FOR

**4. NATURE OF CHANGE (Identify paragraph number and include proposed rewrite, if possible. Attach extra sheets as needed.)**

**5. REASON FOR RECOMMENDATION**

**6. SUBMITTER**

a. NAME (Last, First, Middle initial)

b. ORGANIZATION

c. ADDRESS (Include Zip Code)

d. TELEPHONE (Include Area Code)

**7. DATE SUBMITTED**  
(YYMMDD)

(1) Commercial

(2) DSN (If applicable)

**8. PREPARING ACTIVITY**

a. NAME  
Defense Supply Center Columbus

b. TELEPHONE (Include Area Code)  
(1) Commercial 614-692-0565 (2) DSN 850-0565  
(3) Fax 614-692-6940

c. ADDRESS (Include Zip Code)  
DSCC-VAI  
3990 East Broad Street  
Columbus, Ohio 43216-5000

**IF YOU DO NOT RECEIVE A REPLY WITHIN 45 DAYS, CONTACT:**  
Defense Quality and Standardization Office  
5203 Leesburg Pike, Suite 1403, Falls Church, VA 22041-3466  
Telephone (703) 756-2340 DSN 289-2340