



T-52-33-03

ST62C006
I/O: I/O Controller

FEATURES:

- Built-in 82C37 DMA controllers (x2)
- Built-in 82C54 timer counter (1)
- Built-in 82C59 DMA interrupt controllers (x2)
- CMOS technology
- 100p flat package

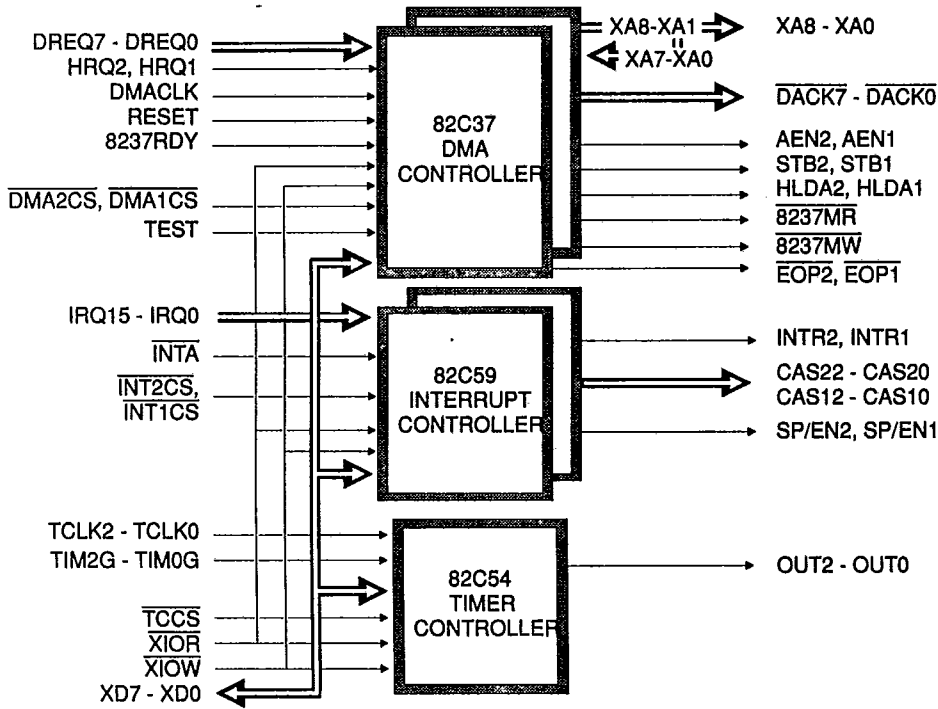
DESCRIPTION:

The ST62C006 is an LSI integration of two 82C37 DMA controllers, one 82C54 timer counter and two 82C59 interrupt controllers. CMOS process is used to achieve significant reduction in power consumption. It is housed in a 100-pin

flat package to reduce the mounting area required. For a detailed operation of these peripheral components, please refer to the IBM AT® technical reference manual and the INTEL component data catalog.



ST62C006-B FUNCTIONAL BLOCK DIAGRAM





ST62C006 PIN DIAGRAM

