

## Features

- High-speed ADC Family Companion Chip
- Selectable 1:2 or 1:4 DMUX Ratio
- Power Consumption: 2.6W
- LVDS Compatible Differential Data and Clock Inputs (100Ω Terminated)
- LVDS Compatible Differential Data and Data Ready Outputs
- Staggered or Simultaneous Data Outputs
  - 11<sup>th</sup> Bit = Ports A, B, C and D Clock in Staggered Mode
- Selectable Active Edge for Input and Output Clocks:
  - Only Rising: CLK and DR Mode
  - Rising and Falling: CLK/2 and DR/2 Mode
- Fine Tuning of Input Clock Path Delay
  - Compensation of External Data and Clock Path Misalignment and Skews
  - Once Tuned, Setting is Valid over Full Operating Frequency and Over Full Specified Temperature Range
- Additional 11<sup>th</sup> Bit (Example: for Out-of-range Bit)
- Built-in Self Test (BIST)
- Stand-alone Tunable Delay Cell
- Power Supplies:  $V_{CCD} = 3.3V$  (Digital),  $V_{PLUSD} = 2.5V$  (Outputs)
- Power Consumption Reduction Mode: 1.1W
- EBGA240 Package

## Screening

- Temperature Range:
  - $-40^{\circ}C < T_C$ ;  $T_J < 110^{\circ}C$  (Industrial Grade)

## Applications

This DMUX enables users to process high-speed output data streams from fast analog-to-digital converters down to standard FPGA processor speed.

## Description

The AT84CS001 is a monolithic high-speed demultiplexer, used to lower a 10-bit data stream of up to 2.2 Gbps guaranteed rate by a selectable 4 or 2 ratio (a 1:8 ratio may be achieved by interleaving two DMUXes).

The DMUX is a companion chip designed to fit perfectly with all of Atmel's high-speed ADCs and is capable of tracking the ADC's output sampling rate over all operating frequency and temperature ranges.

Thanks to its LVDS buffers, this DMUX can easily be interfaced with standard high-speed FPGAs (100Ω differentially terminated).

The AT84CS001 has the same footprint as Atmel's TS81102G0 DMUX, with a very similar pinout. Minimum re-design efforts are required to use this low-power DMUX. An application note "Replacing Atmel's TS81102G0 DMUX with Atmel's AT84CS001 LVDS DMUX" reference 5413, is available to assist in migrating from the TS81102G0 to the AT84CS001.



**10-bit 1:2/4  
2.2 GHz LVDS  
DMUX**

**AT84CS001**

**Summary**

5402AS-BDC-11/04



This is a summary document. A complete document is not available at this time. For more information, please contact your local Atmel sales office.



## Description

The AT84CS001 is a monolithic high-speed demultiplexer (DMUX) using high-speed Atmel technology.

It enables the user to lower a 10-bit stream of 2.2 Gbps maximum by a factor of two or four. One can obtain a 1:8 ratio by using two interleaved AT84CS001 devices. The maximum input data rate is 2.2 Gbps in both 1:2 and 1:4 ratios.

The AT84CS001 DMUX is capable of processing an 11-bit data flow. The additional 11th bit (IOR/IORN) may be connected for example to the out-of-range bit of a 10-bit ADC.

The input and output clocks as well as the input and output data are LVDS-compatible. Digital inputs are 100Ω differentially terminated on chip. Digital output buffers shall be terminated by a 100Ω differential ASIC load.

The improved architecture of the DMUX facilitates interfacing with high-speed ADCs operating at up to 2.2 Gbps. No tuning of the delay between the data and clock paths should be necessary since the data and clock paths are internally matched over the frequency and specified temperature range.

However, in the case of misalignment or skews between the external clock path and the data path, a fine delay tuning cell has been provided. Tuning may be requested for rates exceeding 2 GHz, where the data skews are more sensitive. This tunable delay cell is integrated in serial with the clock input. The delay is controlled by means of the CLK-DACTRL analog control input. The tunable delay ranges from -250 ps to 250 ps for CLKDACTRL varying from  $V_{CCD}/3$  to  $(2 \times V_{CCD})/3$ .

Two modes can be selected for the clock input (CLK and CLK/2) and the clock output (DR and DR/2):

- CLK and DR mode: only the rising edges of the input (CLK,CLKN) and output (DR, DRN) clocks are active. The input (or output) clock rate remains the same as the input or output data rate.
- CLK/2 and DR/2 mode: both the rising and falling edges of the input (CLK,CLKN) and output (DR, DRN) clocks are active. The input (or output) clock rate is half the input or output data rate.

The data outputs can be received at the DMUX output in two different modes:

- Staggered: even and odd bits are output with half a data period delay
- Simultaneous: even and odd bits are output at the same time

The AT84CS001 DMUX is started by the ASYNCRST control input that acts as a master asynchronous reset for the device. Once resetted, there is no loss of synchronization over an indefinite time period, therefore no additional incoming synchronous reset signal is required.

The power consumption of the AT84CS001 is 2.6W and can be reduced by approximately 60% of its nominal value by means of the SLEEP control input.

A standalone delay cell is provided. It features a typical 500 ps tuning range ( $\pm 250$  ps around the center value of DACTRL analog control input).

A Built-in Self Test (BIST) is implemented for rapid debugging of the DMUX.

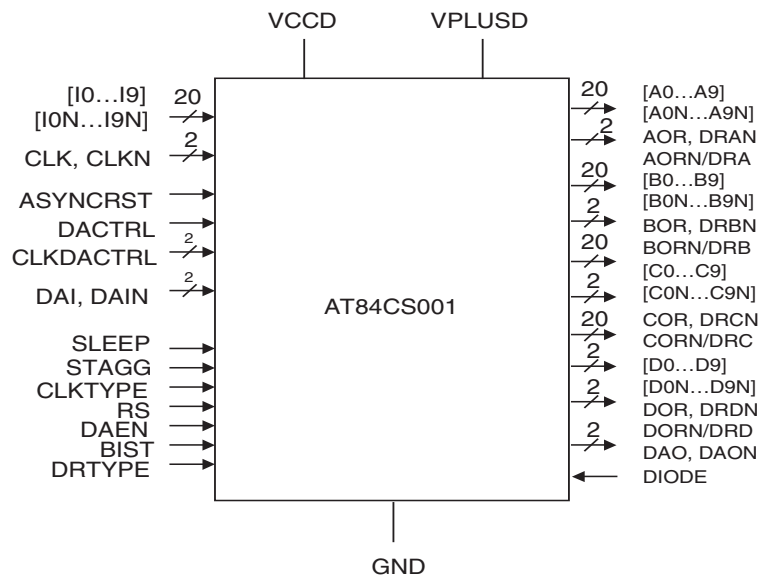
Die junction temperature monitoring is possible by sensing the voltage drop across a diode implemented close to the die's hot point after forcing a 1 mA bias current.

The AT84CS001 DMUX is a companion chip designed to fit perfectly with all of Atmel's high-speed ADCs.

**Table 1.** Description of Main Functions

Name	Function	Name	Function
V <sub>CCD</sub>	Digital 3.3V power supply	D0...D9	In-phase output data port D
V <sub>PLUSD</sub>	Output 2.5V power supply	D0N...D9N	Inverted phase output data port D
GND	Ground	DOR/DRDN DORN/DRD	Additional output bit port D or port D output clock in staggered mode
CLK, CLKN	Input clock signals	DAO, DAON	Output signals for stand-alone delay cell
I0...I9	In-phase input data (true)	DAI, DAIN	Input signals for stand-alone delay cell
I0N...I9N	Inverted phase input data (false)	DACTRL	Control signal for standalone delay cell
IOR, IORN	Additional input bit	CLKDACTRL	Control signal for clock delay cell
DR/DRN	Output clock signals	DAEN	Enable signal for standalone delay cell
A0...A9	In-phase output data port A	ASYNCRST	Asynchronous reset signal
A0N...A9N	Inverted phase output data port A	SLEEP	Sleep mode selection signal
AOR/DRAN AORN/DRA	Additional output bit port A or port A output clock in staggered mode	RS	DMUX ratio selection signal
B0...B9	In-phase output data port B	CLKTYPE	Input clock type selection signal
B0N...B9N	Inverted phase output data port B	DRTYPE	Output clock type selection signal
BOR/DRBN BORN/DRB	Additional output bit port B or port B output clock in staggered mode	STAGG	Staggered mode selection for data outputs
C0...C9	In-phase output data port C	BIST	Built-in self test enable
C0N...C9N	Inverted phase output data port C	DIODE	Diode for die junction temperature monitoring
COR/DRCN CORN/DRC	Additional output bit port C or port C output clock in staggered mode		

**Figure 1.** Device Pinout



## Pin Description

**Table 2.** Pin Description

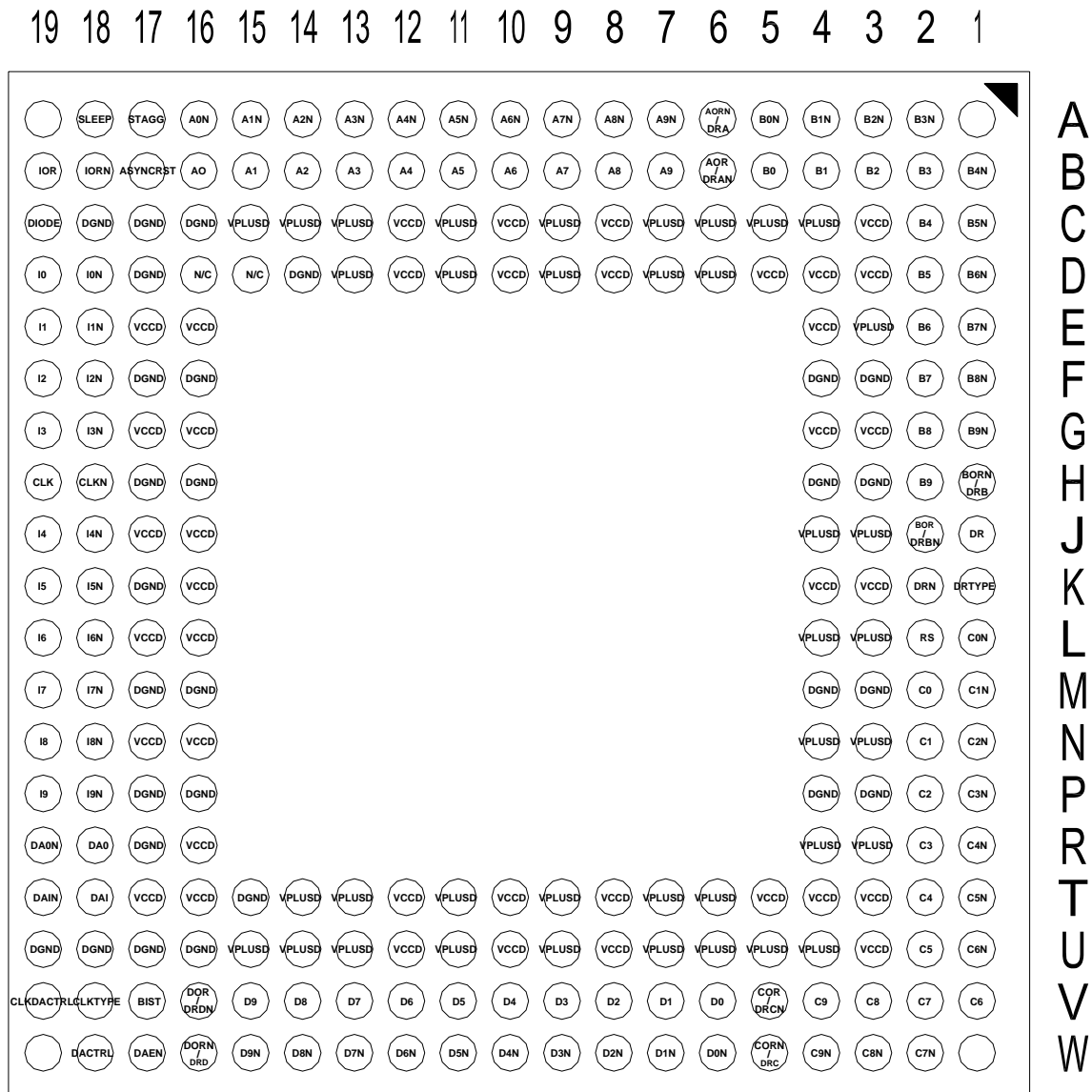
Symbol	Pin Number	Function
<b>Power Supplies</b>		
V <sub>CCD</sub>	C12, C10, C8, C3, D12, D10, D8, D5, D4, D3, E4, E17, E16, G17, G16, G4, G3, J17, J16, K16, K4, K3, L17, L16, N17, N16, R16, T17, T16, T12, T10, T8, T5, T4, T3, U12, U1, U8, U3	Digital 3.3V supply
V <sub>PLUSD</sub>	C15, C14, C13, C11, C9, C7, C6, C5, C4, D13, D11, D9, D7, D6, E3, J4, J3, L4, L3, N4, N3, R4, R3, T14, T13, T11, T9, T7, T6, U15, U14, U13, U11, U9, U7, U6, U5, U4	Output 2.5V supply
DGND	C18, C17, C16, D17, D14, F17, F16, F4, F3, H17, H16, H4, H3, K17, M17, M16, M4, M3, P17, P16, P4, P3, R17, T15, U19, U18, U17, U16	Ground
<b>Digital Inputs</b>		
I0, I1, I2, I3, I4, I5, I6, I7, I8, I9	D19, E19, F19, G19, J19, K19, L19, M19, N19, P19	In-phase (+) digital input signal
I0N, I1N, I2N, I3N, I4N, I5N, I6N, I7N, I8N, I9N	D18, E18, F18, G18, J18, K18, L18, M18, N18, P18	Inverted phase (-) digital input signal
IORN	B18	In-phase (+) digital input signal additional bit
IOR	B19	Inverted phase (-) digital input signal for additional bit
DAI	T18	In-phase (+) input signal for standalone delay cell
DAIN	T19	Inverted phase (-) input signal for standalone delay cell
<b>Clock Inputs</b>		
CLK	H19	In-phase (+) clock input
CLKN	H18	Inverted phase (-) clock input
<b>Digital Outputs</b>		
A0, A1, A2, A3, A4, A5, A6, A7, A8, A9	B16, B15, B14, B13, B12, B11, B10, B9, B8, B7	In-phase (+) digital outputs for port A A0 is the LSB, A9 is the MSB
A0N, A1N, A2N, A3N, A4N, A5N, A6N, A7N, A8N, A9N	A16, A15, A14, A13, A12, A11, A10, A9, A8, A7	Inverted phase (-) digital outputs for port A
AOR/DRAN	B6	In-phase (+) additional bit output for port A or inverted phase (-) output clock in staggered mode for port A
AORN/DRA	A6	Inverted phase (-) additional bit output for port A or in-phase (+) output clock in staggered mode for port A
B0, B1, B2, B3, B4, B5, B6, B7, B8, B9	B5, B4, B3, B2, C2, D2, E2, F2, G2, H2	In-phase (+) digital outputs for port B B0 is the LSB, B9 is the MSB

**Table 2.** Pin Description (Continued)

Symbol	Pin Number	Function
B0N, B1N, B2N, B3N, B4N, B5N, B6N, B7N, B8N, B9N	A5, A4, A3, A2, B1, C1, D1, E1, F1, G1	Inverted phase (-) digital outputs for port B
BOR/DRBN	J2	In-phase (+) additional bit output for port B or inverted phase (-) output clock in staggered mode for port B
BORN/DRB	H1	Inverted phase (-) additional bit output for port B or in-phase (+) output clock in staggered mode for port B
C0, C1, C2, C3, C4, C5, C6, C7, C8, C9	M2, N2, P2, R2, T2, U2, V2, W2, V3, V4	In-phase (+) digital outputs for port C C0 is the LSB, C9 is the MSB
C0N, C1N, C2N, C3N, C4N, C5N, C6N, C7N, C8N, C9N	L1, M1, N1, P1, R1, T1, U1, V1, W3, W4	Inverted phase (-) digital outputs for port C
COR/DRCN	V5	In-phase (+) additional bit output for port C or inverted phase (-) output clock in staggered mode for port C
CORN/DRC	W5	Inverted phase (-) additional bit output for port C or in-phase (+) output clock in staggered mode for port C
D0, D1, D2, D3, D4, D5, D6, D7, D8, D9	V6, V7, V8, V9, V10, V11, V12, V13, V14, V15	In-phase (+) digital outputs for port D D0 is the LSB, D9 is the MSB
D0N, D1N, D2N, D3N, D4N, D5N, D6N, D7N, D8N, D9N	W6, W7, W8, W9, W10, W11, W12, W13, W14, W15	Inverted phase (-) digital outputs for port D
DOR/DRDN	V16	In-phase (+) additional bit output for port D or inverted phase (-) output clock in staggered mode for port D
DORN/DRD	W16	Inverted phase (-) additional bit output for port D or in-phase (+) output clock in staggered mode for port D
DR	J1	In-phase (+) data ready signal output
DRN	K2	Inverted phase (-) data ready signal output
DAO	R18	In-phase (+) output signal for standalone delay cell
DAON	R19	Inverted phase (-) output signal for standalone delay cell
<b>Additional Functions</b>		
ASYNCRST	B17	Asynchronous reset signal
CLKTYPE	V18	Input clock type selection signal
DRTYPE	K1	Output clock type selection signal
CLKDACTRL	V19	Clock delay cell control signal
DACTRL	W18	Standalone delay cell control signal
DAEN	W17	Standalone delay cell enable signal
RS	L2	Ratio selection signal
SLEEP	A18	Sleep mode enable
STAGG	A17	Staggered output mode selection signal
BIST	V17	Built-in self test enable
DIODE	C19	Diode for die junction temperature monitoring

# AT84CS001 Pinout

Figure 2. EBGA 240 (Bottom View)



**Ordering Information**

Part Number	Package	Temperature Range	Screening	Comments
AT84XCS001TP	EBGA 240	Ambient	Prototype	Please contact your local Atmel sales office
AT84CS001VTP	EBGA 240	Industrial grade -40°C < T <sub>C</sub> ; T <sub>J</sub> < 110°C	Standard	
AT84CS001TP-EB	EBGA 240	Ambient	Prototype	Evaluation kit



## Atmel Corporation

2325 Orchard Parkway  
San Jose, CA 95131, USA  
Tel: 1(408) 441-0311  
Fax: 1(408) 487-2600

## Regional Headquarters

### Europe

Atmel Sarl  
Route des Arsenalux 41  
Case Postale 80  
CH-1705 Fribourg  
Switzerland  
Tel: (41) 26-426-5555  
Fax: (41) 26-426-5500

### Asia

Room 1219  
Chinachem Golden Plaza  
77 Mody Road Tsimshatsui  
East Kowloon  
Hong Kong  
Tel: (852) 2721-9778  
Fax: (852) 2722-1369

### Japan

9F, Tonetsu Shinkawa Bldg.  
1-24-8 Shinkawa  
Chuo-ku, Tokyo 104-0033  
Japan  
Tel: (81) 3-3523-3551  
Fax: (81) 3-3523-7581

## Atmel Operations

### Memory

2325 Orchard Parkway  
San Jose, CA 95131, USA  
Tel: 1(408) 441-0311  
Fax: 1(408) 436-4314

### Microcontrollers

2325 Orchard Parkway  
San Jose, CA 95131, USA  
Tel: 1(408) 441-0311  
Fax: 1(408) 436-4314

La Chantrerie  
BP 70602  
44306 Nantes Cedex 3, France  
Tel: (33) 2-40-18-18-18  
Fax: (33) 2-40-18-19-60

### ASIC/ASSP/Smart Cards

Zone Industrielle  
13106 Rousset Cedex, France  
Tel: (33) 4-42-53-60-00  
Fax: (33) 4-42-53-60-01

1150 East Cheyenne Mtn. Blvd.  
Colorado Springs, CO 80906, USA  
Tel: 1(719) 576-3300  
Fax: 1(719) 540-1759

Scottish Enterprise Technology Park  
Maxwell Building  
East Kilbride G75 0QR, Scotland  
Tel: (44) 1355-803-000  
Fax: (44) 1355-242-743

### RF/Automotive

Theresienstrasse 2  
Postfach 3535  
74025 Heilbronn, Germany  
Tel: (49) 71-31-67-0  
Fax: (49) 71-31-67-2340

1150 East Cheyenne Mtn. Blvd.  
Colorado Springs, CO 80906, USA  
Tel: 1(719) 576-3300  
Fax: 1(719) 540-1759

### Biometrics/Imaging/Hi-Rel MPU/ High Speed Converters/RF Datacom

Avenue de Rochepleine  
BP 123  
38521 Saint-Egreve Cedex, France  
Tel: (33) 4-76-58-30-00  
Fax: (33) 4-76-58-34-80

---

## Literature Requests

[www.atmel.com/literature](http://www.atmel.com/literature)

**Disclaimer:** The information in this document is provided in connection with Atmel products. No license, express or implied, by estoppel or otherwise, to any intellectual property right is granted by this document or in connection with the sale of Atmel products. **EXCEPT AS SET FORTH IN ATMEL'S TERMS AND CONDITIONS OF SALE LOCATED ON ATMEL'S WEB SITE, ATMEL ASSUMES NO LIABILITY WHATSOEVER AND DISCLAIMS ANY EXPRESS, IMPLIED OR STATUTORY WARRANTY RELATING TO ITS PRODUCTS INCLUDING, BUT NOT LIMITED TO, THE IMPLIED WARRANTY OF MERCHANTABILITY, FITNESS FOR A PARTICULAR PURPOSE, OR NON-INFRINGEMENT. IN NO EVENT SHALL ATMEL BE LIABLE FOR ANY DIRECT, INDIRECT, CONSEQUENTIAL, PUNITIVE, SPECIAL OR INCIDENTAL DAMAGES (INCLUDING, WITHOUT LIMITATION, DAMAGES FOR LOSS OF PROFITS, BUSINESS INTERRUPTION, OR LOSS OF INFORMATION) ARISING OUT OF THE USE OR INABILITY TO USE THIS DOCUMENT, EVEN IF ATMEL HAS BEEN ADVISED OF THE POSSIBILITY OF SUCH DAMAGES.** Atmel makes no representations or warranties with respect to the accuracy or completeness of the contents of this document and reserves the right to make changes to specifications and product descriptions at any time without notice. Atmel does not make any commitment to update the information contained herein. Atmel's products are not intended, authorized, or warranted for use as components in applications intended to support or sustain life.

© Atmel Corporation 2004. All rights reserved. Atmel®, logo and combinations thereof, are registered trademarks, and Everywhere You Are<sup>SM</sup> is the trademark of Atmel Corporation or its subsidiaries. Other terms and product names may be trademarks of others.



Printed on recycled paper.

5402AS-BDC-11/04