

SSD1800

Advance Information

**80x16 + 1 Icon line
LCD Segment / Common Driver with Controller
for Character Display System**

This document contains information on a new product. Specifications and information herein are subject to change without notice.

<http://www.solomon-systech.com>

TABLE OF CONTENTS

1	GENERAL DESCRIPTION	5
2	FEATURES	5
3	ORDERING INFORMATION.....	5
4	BLOCK DIAGRAM	6
5	PIN ARRANGEMENT OF SSD1800Z GOLD BUMP DIE	7
6	PIN ARRANGEMENT OF SSD1800AV BARE DIE	10
7	PIN DESCRIPTIONS	12
8	FUNCTIONAL BLOCK DESCRIPTIONS	15
9	VOLTAGE GENERATOR CIRCUIT	24
10	FRAME FREQUENCY	25
11	COMMAND TABLE	26
12	COMMAND DESCRIPTIONS	28
13	MAXIMUM RATINGS.....	33
14	DC CHARACTERISTICS.....	34
15	AC CHARACTERISTICS.....	35
16	APPLICATION EXAMPLES	38

TABLE OF TABLES

Table 1 - Ordering Information	5
Table 2 - SSD1800Z Gold Bump Die Pad Coordinates	8
Table 3 - SSD1800AV Bare Die Pad Coordinates.....	11
Table 4 - Relationship between ICONRAM Address and Display Pattern.....	18
Table 5 - CGROM Character Code.....	19
Table 6 - Relationship between Character Code (DDRAM) and Character Pattern (CGRAM).....	20
Table 7- Contrast Control Register	22
Table 8 - Command Table.....	26
Table 9 - DD/ CGRAM Address Mapping	31
Table 10 - ICONRAM Address Mapping	32
Table 11 - Maximum Ratings (Voltage Reference to VSS)	33
Table 12 - DC Characteristics (Unless otherwise specified, Voltage Referenced to VSS, VDD = 2.4 to 3.6V, TA = -30 to 85°C.).....	34
Table 13 - AC Characteristics (Unless otherwise specified, Voltage Referenced to VSS, VDD = 2.4 to 3.6V, TA = -30 to 85°C.).....	35
Table 14 - 6800-Series MPU Parallel Interface Timing Characteristics (VDD - VSS = 2.4 to 3.6V, TA = -30 to 85°C).....	35
Table 15 - 8080-Series MPU Parallel Interface Timing Characteristics (VDD - VSS = 2.4 to 3.6V, TA = -30 to 85°C).....	36
Table 16 - Serial Interface Timing Characteristics (VDD - VSS = 2.4 to 3.6V, TA = -30 to 85°C)	37

TABLE OF FIGURES

Figure 1 - Block Diagram of SSD1800	6
Figure 2 - SSD1800Z Pin Arrangement	7
Figure 3 - SSD1800AV Pin Arrangement	10
Figure 4 - Timing Diagram of 8-bit Parallel Bus Mode Data Transfer (6800 MPU Mode)	16
Figure 5 - Timing Diagram of 8-bit Parallel Bus Mode Data Transfer (8080 MPU Mode)	16
Figure 6 - Timing Diagram of 4-bit Parallel Bus Mode Data Transfer (6800 MPU Mode)	17
Figure 7 - Timing Diagram of 4-bit Parallel Bus Mode Data Transfer (8080 MPU Mode)	17
Figure 8 - Timing Diagram of Serial Data Transfer	17
Figure 9 - DDRAM Address	18
Figure 10 - Configurations for DC-DC Converter	21
Figure 11 - Configurations for Voltage Regulator	21
Figure 12 - When Built-in Power Supply is used	24
Figure 13 - When External Power Supply is used	24
Figure 14 - Function set command (X1X0 = 00)	28
Figure 15 - COM0 ~ COM15 is a Double Height Line in function set command (X1X0 = 01)	28
Figure 16 - Display Attributes	30
Figure 17 - 6800-series MCU Parallel Interface Waveform	35
Figure 18 - 8080-series MCU Parallel Interface Waveform	36
Figure 19 - Serial Interface Characteristics	37
Figure 20- Application Circuit: External Regulator with internal divider mode (8-bit 6800 mode) ...	38
Figure 21 - Application Circuit: ALL internal power mode with 2x regulated DC-DC converter (serial mode)	39
Figure 22- Application Circuit: ALL internal power mode with 3x regulated DC-DC converter (8-bit 8080 mode)	40
Figure 23- Recommended INITIALIZING of SSD1800	41

1 GENERAL DESCRIPTION

SSD1800 is a single-chip CMOS LCD driver with controller for liquid crystal dot-matrix character display system. It consists of 97 high voltage driving output pins for driving 80 Segments, 16 Commons and 1 icon driving-Common. It can display 2 lines of 16 characters with 5x8 dots format. The double height character mode and line vertical scroll functions are supported.

SSD1800 displays character directly from its internal 10,240 bits (256 characters x 5 x 8 dots) Character Generator ROM (CGROM). All the character codes are stored in the 512 bits (16 characters x 4 lines) Data Display RAM (DDRAM). User defined character can be loaded via 320 bits (8 characters x 5 x 8 dots) Character Generator RAM (CGRAM). In addition, there is a 80 bits Icon RAM for Icon display. Data/ Commands are sent from general MCU through software selectable 6800-/8080-series compatible 4/ 8-bit Parallel Interface or Serial Peripheral Interface.

SSD1800 embeds a DC-DC Converter, Voltage Regulator, Voltage divider and RC oscillator that reduce the number of external components. With the special design on minimizing power consumption and die size, SSD1800 is suitable for portable battery-driven applications requiring a long operation period and a compact size.

2 FEATURES

- Single Supply Operation, 2.4V - 3.6V
- Maximum 5.8V LCD Driving Output Voltage
- Low Current Sleep Mode
- On-Chip 2x/3x DC-DC Converter/ External Power Supply
- On-Chip RC Oscillator/ External Clock
- On-Chip Voltage Regulator
- On-Chip Voltage Divider with programmable bias ratio (1/4, 1/5)
- 32 Level Internal Contrast Control
- 2 lines x 16 characters with 5x8 dots format display and 80 icons
- Double Height Character Mode, Blink Mode, Cursor Display and Line Vertical Scroll Functions
- Row remapping and column remapping (4-type LCD application available)
- 8/4-bit 6800-series Parallel Interface, 8/4-bit 8080-series Parallel Interface and Serial Peripheral Interface
- 256 Build in characters and 8 user defined characters
- On-Chip Memories
 - Character Generator ROM (CGROM): 10240 bits (256 characters x 5 x 8 dots)
 - Character Generator RAM (CGRAM): 320 bits (8 characters x 5 x 8 dots)
 - Display Data RAM (DDRAM): 512 bits (16 characters x 4 lines)
 - Segment Icon RAM (ICONRAM): 80 bits (80 icons)
- Available in Bare Die/Gold bumped Die

3 ORDERING INFORMATION

Table 1 - Ordering Information

Ordering Part Number	Display Size	Package Form	Reference	Remark
SSD1800Z	16x2 Characters	Gold-bump Die	Figure 2 on page 7	-
SSD1800AV	16x2 Characters	Bare Die	Figure 3 on page 10	-

4 BLOCK DIAGRAM

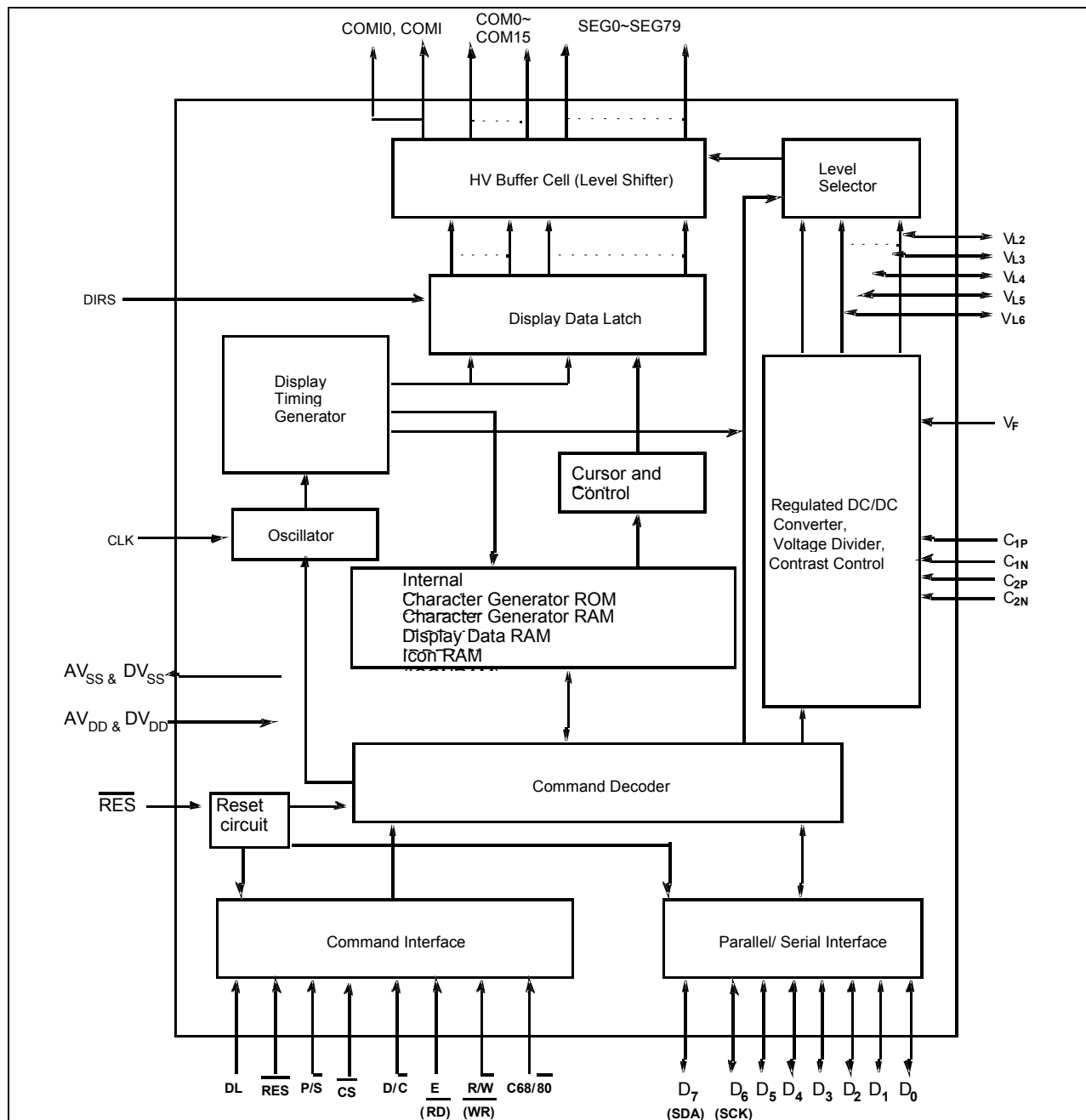
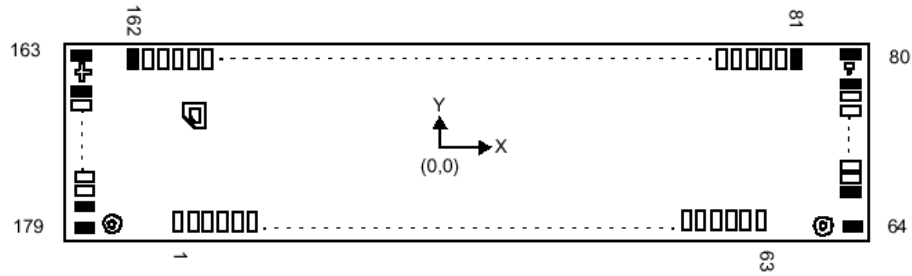


Figure 1 – Block Diagram of SSD1800

5 PIN ARRANGEMENT OF SSD1800Z GOLD BUMP DIE



Alignment Keys

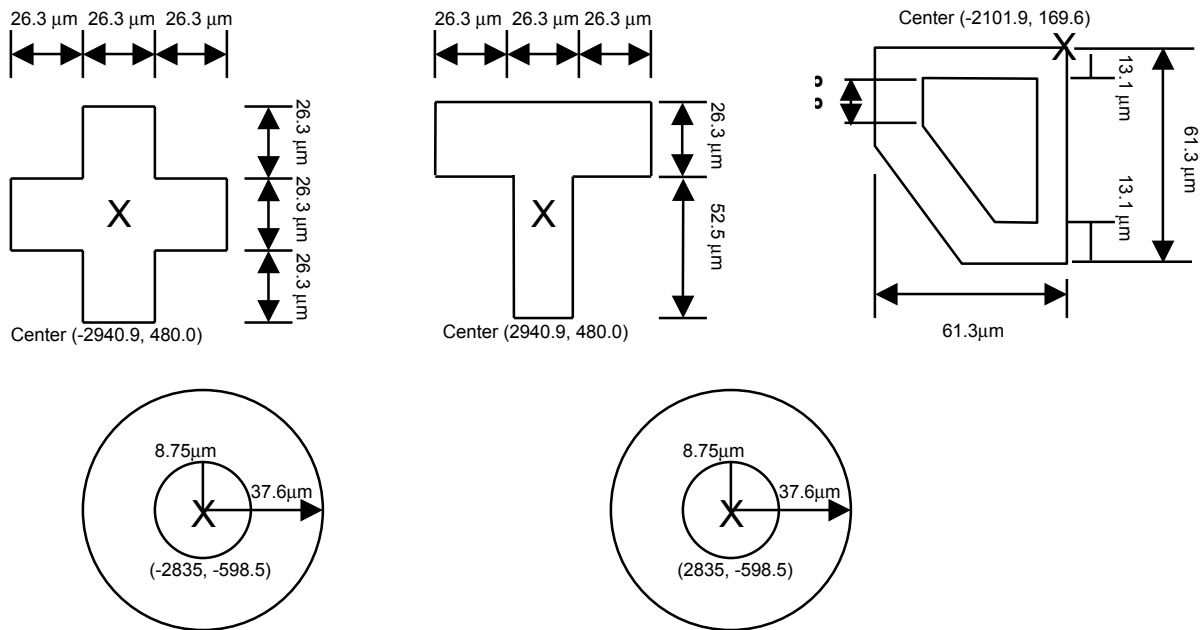


Figure 2 - SSD1800Z Pin Arrangement

Die Size: 6170um x 1480um (include scribe line)
6070um x 1380um (exclude scribe line)
Die Thickness: 670 +/-25um

PAD:	Bump Size	Minimum Pitch
1-63	52.15 x 60.2 um	76.3um
65-79,	164-178 74.9 x 42 um	63.7um
81-162	42 x 74.9 um	63.7um
64,80,163,179	52.15 X 52.15 um	

Bump Height: Nominal 18um

Note:

1. PADS: 35-36, 45, 64-65, 75-81, 162-164, 166-169, 178-179 NC pads.
2. The die faces up in the diagram.
3. Coordinates are reference to the center of the chip.
4. Unit of coordinates and size of all alignment keys are in um.
5. All alignment keys do not contain gold bump.

Table 2 - SSD1800Z Gold Bump Die Pad Coordinates

PAD#	NAME	X	Y	PAD#	NAME	X	Y
1	D/ \overline{C}	-2401.53	-600.78	41	C1N	684.78	-600.78
2	DVSS	-2325.23	-600.78	42	C1N	761.08	-600.78
3	R/ \overline{W} (\overline{WR})	-2248.93	-600.78	43	C1P	837.38	-600.78
4	DVDD	-2172.63	-600.78	44	C1P	913.68	-600.78
5	E(\overline{RD})	-2096.33	-600.78	45	NC	989.98	-600.78
6	\overline{CS}	-2020.03	-600.78	46	DVSS	1080.63	-600.78
7	D7	-1943.73	-600.78	47	AVSS	1156.93	-600.78
8	D6	-1867.43	-600.78	48	DVSS	1233.23	-600.78
9	D5	-1791.13	-600.78	49	REF	1309.53	-600.78
10	D4	-1714.83	-600.78	50	DIRS	1385.83	-600.78
11	D3	-1638.53	-600.78	51	DVDD	1462.13	-600.78
12	D2	-1562.23	-600.78	52	AVDD	1538.43	-600.78
13	D1	-1485.93	-600.78	53	DVDD	1614.73	-600.78
14	D0	-1409.63	-600.78	54	CLK	1691.03	-600.78
15	DVDD	-1333.33	-600.6	55	VSS	1767.33	-600.78
16	AVDD	-1257.03	-600.6	56	P / \overline{S}	1843.63	-600.78
17	DVDD	-1180.73	-600.6	57	DVDD	1919.93	-600.78
18	DVSS	-1104.43	-600.78	58	DL	1996.23	-600.78
19	AVSS	-1028.13	-600.6	59	DVSS	2072.53	-600.78
20	DVSS	-951.83	-600.6	60	C68/($\overline{80}$)	2148.83	-600.78
21	VL2	-861.18	-600.6	61	DVDD	2225.13	-600.78
22	VL2	-784.88	-600.6	62	\overline{RES}	2301.43	-600.78
23	VL3	-708.58	-600.6	63	TEST	2377.73	-600.78
24	VL3	-632.28	-600.78	64	NC	2939.3	-600.78
25	VL4	-555.98	-600.78	65	NC	2939.3	-520.1
26	VL4	-479.68	-600.78	66	COMI0	2939.3	-456.4
27	VL5	-403.38	-600.78	67	COM 0	2939.3	-392.7
28	VL5	-327.08	-600.78	68	COM 1	2939.3	-329
29	VL6	-246.05	-600.78	69	COM 2	2939.3	-265.3
30	VL6	-169.75	-600.78	70	COM 3	2939.3	-201.6
31	VL6	-93.45	-600.78	71	COM 4	2939.3	-137.9
32	VL6	-17.15	-600.78	72	COM 5	2939.3	-74.2
33	VF	64.75	-600.78	73	COM 6	2939.3	-10.5
34	VF	141.05	-600.78	74	COM 7	2939.3	53.2
35	NC	222.25	-600.78	75	NC	2939.3	116.90
36	NC	298.55	-600.78	76	NC	2939.3	180.6
37	C2N	379.58	-600.78	77	NC	2939.3	244.3
38	C2N	455.88	-600.78	78	NC	2939.3	308.0
39	C2P	532.18	-600.78	79	NC	2939.3	371.7
40	C2P	608.48	-600.78	80	NC	2939.3	593.43

PAD#	NAME	X	Y	PAD#	NAME	X	Y
81	NC	2579.85	593.43	131	SEG49	-605.15	593.43
82	SEG0	2516.15	593.43	132	SEG50	-668.85	593.43
83	SEG1	2452.45	593.43	133	SEG51	-732.55	593.43
84	SEG2	2388.75	593.43	134	SEG52	-796.25	593.43
85	SEG3	2325.05	593.43	135	SEG53	-859.95	593.43
86	SEG4	2261.35	593.43	136	SEG54	-923.65	593.43
87	SEG5	2197.65	593.43	137	SEG55	-987.35	593.43
88	SEG6	2133.95	593.43	138	SEG56	-1051.05	593.43
89	SEG7	2070.25	593.43	139	SEG57	-1114.75	593.43
90	SEG8	2006.55	593.43	140	SEG58	-1178.45	593.43
91	SEG9	1942.85	593.43	141	SEG59	-1242.15	593.43
92	SEG10	1879.15	593.43	142	SEG60	-1305.85	593.43
93	SEG11	1815.45	593.43	143	SEG61	-1369.55	593.43
94	SEG12	1751.75	593.43	144	SEG62	-1433.25	593.43
95	SEG13	1688.05	593.43	145	SEG63	-1496.95	593.43
96	SEG14	1624.35	593.43	146	SEG64	-1560.65	593.43
97	SEG15	1560.65	593.43	147	SEG65	-1624.35	593.43
98	SEG16	1496.95	593.43	148	SEG66	-1688.05	593.43
99	SEG17	1433.25	593.43	149	SEG67	-1751.75	593.43
100	SEG18	1369.55	593.43	150	SEG68	-1815.45	593.43
101	SEG19	1305.85	593.43	151	SEG69	-1879.15	593.43
102	SEG20	1242.15	593.43	152	SEG70	-1942.85	593.43
103	SEG21	1178.45	593.43	153	SEG71	-2006.55	593.43
104	SEG22	1114.75	593.43	154	SEG72	-2070.25	593.43
105	SEG23	1051.05	593.43	155	SEG73	-2133.95	593.43
106	SEG24	987.35	593.43	156	SEG74	-2197.65	593.43
107	SEG25	923.65	593.43	157	SEG75	-2261.35	593.43
108	SEG26	859.95	593.43	158	SEG76	-2325.05	593.43
109	SEG27	796.25	593.43	159	SEG77	-2388.75	593.43
110	SEG28	732.55	593.43	160	SEG78	-2452.45	593.43
111	SEG29	668.85	593.43	161	SEG79	-2516.15	593.43
112	SEG30	605.15	593.43	162	NC	-2579.85	593.43
113	SEG31	541.45	593.43	163	NC	-2939.3	593.43
114	SEG32	477.75	593.43	164	NC	-2939.3	371.7
115	SEG33	414.05	593.43	165	COM11	-2939.3	308
116	SEG34	350.35	593.43	166	NC	-2939.3	244.3
117	SEG35	286.65	593.43	167	NC	-2939.3	180.6
118	SEG36	222.95	593.43	168	NC	-2939.3	116.9
119	SEG37	159.25	593.43	169	NC	-2939.3	53.2
120	SEG38	95.55	593.43	170	COM15	-2939.3	-10.5
121	SEG39	31.85	593.43	171	COM14	-2939.3	-74.2
122	SEG40	-31.85	593.43	172	COM13	-2939.3	-137.9
123	SEG41	-95.55	593.43	173	COM12	-2939.3	-201.6
124	SEG42	-159.25	593.43	174	COM11	-2939.3	-265.3
125	SEG43	-222.95	593.43	175	COM10	-2939.3	-329
126	SEG44	-286.65	593.43	176	COM9	-2939.3	-392.7
127	SEG45	-350.35	593.43	177	COM8	-2939.3	-456.4
128	SEG46	-414.05	593.43	178	NC	-2939.3	-520.1
129	SEG47	-477.75	593.43	179	NC	-2939.3	-600.78
130	SEG48	-541.45	593.43				

6 PIN ARRANGEMENT OF SSD1800AV BARE DIE

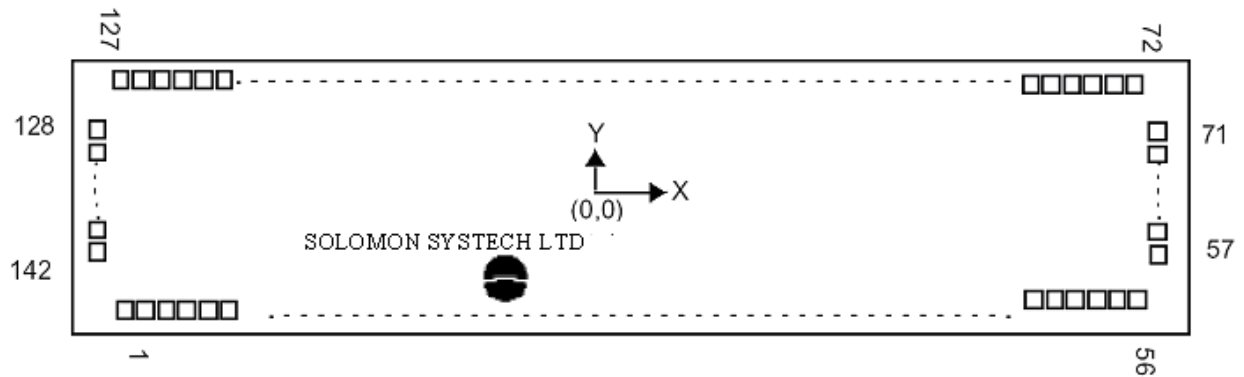


Figure 3 - SSD1800AV Pin Arrangement

Die Size: 6260um x 1810um (include scribe line)
 Die Thickness: 670 +/-25um
 Pad Metal Size: 88 x 88um
 Pad Opening Size: 80 x 80um

Pad number	Pad metal size
PADS: 1-9, 48-56, 72-80, 119-127	103um x111um
PADS: 57, 58, 70, 71, 128, 129, 141, 142	111um x103um
PADS: 10-47, 81-118	90um x111um
PADS: 59-69, 130-140	111um x90um

Note:

1. PADS: 1,2, 29, 34, 56-59, 141, 142 are NC pads.
2. The die faces up in the diagram.
3. Coordinates are reference to the center of the chip.

Table 3 - SSD1800AV Bare Die Pad Coordinates

PAD #	NAME	X	Y	PAD #	NAME	X	Y	PAD #	NAME	X	Y
1	NC	-2748.20	-772.71	51	COM3	2198.53	-772.71	101	SEG41	-145.08	772.98
2	NC	-2638.13	-772.71	52	COM4	2308.60	-772.71	102	SEG42	-239.93	772.98
3	COM15	-2528.05	-772.71	53	COM5	2418.68	-772.71	103	SEG43	-334.78	772.98
4	COM14	-2417.98	-772.71	54	COM6	2528.75	-772.71	104	SEG44	-429.63	772.98
5	COM13	-2307.90	-772.71	55	COM7	2638.83	-772.71	105	SEG45	-524.48	772.98
6	COM12	-2197.83	-772.71	56	NC	2748.90	-772.71	106	SEG46	-619.33	772.98
7	COM11	-2087.75	-772.71	57	NC	2998.10	-687.75	107	SEG47	-714.18	772.98
8	COM10	-1977.68	-772.71	58	NC	2998.10	-577.68	108	SEG48	-809.03	772.98
9	COM9	-1867.60	-772.71	59	NC	2998.10	-467.60	109	SEG49	-903.88	772.98
10	COM8	-1757.53	-772.71	60	SEG0	2998.10	-372.75	110	SEG50	-998.73	772.98
11	D/C	-1662.68	-772.71	61	SEG1	2998.10	-277.90	111	SEG51	-1093.58	772.98
12	R/W (WR)	-1567.83	-772.71	62	SEG2	2998.10	-183.05	112	SEG52	-1188.43	772.98
13	E(RD)	-1472.98	-772.71	63	SEG3	2998.10	-88.20	113	SEG53	-1283.28	772.98
14	CS	-1378.13	-772.71	64	SEG4	2998.10	6.65	114	SEG54	-1378.13	772.98
15	D7	-1283.28	-772.71	65	SEG5	2998.10	101.50	115	SEG55	-1472.98	772.98
16	D6	-1187.73	-772.71	66	SEG6	2998.10	196.35	116	SEG56	-1567.83	772.98
17	D5	-1092.18	-772.71	67	SEG7	2998.10	291.20	117	SEG57	-1662.68	772.98
18	D4	-996.63	-772.71	68	SEG8	2998.10	386.05	118	SEG58	-1757.53	772.98
19	D3	-901.08	-772.71	69	SEG9	2998.10	480.90	119	SEG59	-1867.60	772.98
20	D2	-805.53	-772.71	70	SEG10	2998.10	590.98	120	SEG60	-1977.68	772.98
21	D1	-709.98	-772.71	71	SEG11	2998.10	701.05	121	SEG61	-2087.75	772.98
22	D0	-614.43	-772.71	72	SEG12	2742.43	772.98	122	SEG62	-2197.83	772.98
23	VL2	-519.58	-772.71	73	SEG13	2632.35	772.98	123	SEG63	-2307.90	772.98
24	VL3	-424.73	-772.71	74	SEG14	2522.28	772.98	124	SEG64	-2417.98	772.98
25	VL4	-329.88	-772.71	75	SEG15	2412.20	772.98	125	SEG65	-2528.05	772.98
26	VL5	-235.03	-772.71	76	SEG16	2302.13	772.98	126	SEG66	-2638.13	772.98
27	VL6	-140.18	-772.71	77	SEG17	2192.05	772.98	127	SEG67	-2748.20	772.98
28	VF	-45.33	-772.71	78	SEG18	2081.98	772.98	128	SEG68	-2998.10	-687.75
29	NC	49.53	-772.71	79	SEG19	1971.90	772.98	129	SEG69	-2998.10	-577.68
30	C2N	144.38	-772.71	80	SEG20	1861.83	772.98	130	SEG70	-2998.10	-467.60
31	C2P	239.23	-772.71	81	SEG21	1751.75	772.98	131	SEG71	-2998.10	-372.75
32	C1N	334.08	-772.71	82	SEG22	1657.08	772.98	132	SEG72	-2998.10	-277.90
33	C1P	428.93	-772.71	83	SEG23	1562.23	772.98	133	SEG73	-2998.10	-183.05
34	NC	523.78	-772.71	84	SEG24	1467.38	772.98	134	SEG74	-2998.10	-88.20
35	AVSS	618.63	-772.71	85	SEG25	1372.53	772.98	135	SEG75	-2998.10	6.65
36	DVSS	713.48	-772.71	86	SEG26	1277.68	772.98	136	SEG76	-2998.10	101.50
37	REF	808.33	-772.71	87	SEG27	1182.83	772.98	137	SEG77	-2998.10	196.35
38	DIRS	903.18	-772.71	88	SEG28	1087.98	772.98	138	SEG78	-2998.10	291.20
39	AVDD	998.03	-772.71	89	SEG29	993.13	772.98	139	SEG79	-2998.10	386.05
40	DVDD	1092.88	-772.71	90	SEG30	898.28	772.98	140	ICONS2	-2998.10	480.90
41	CLK	1187.73	-772.71	91	SEG31	803.43	772.98	141	NC	-2998.10	590.98
42	P/S	1282.58	-772.71	92	SEG32	708.58	772.98	142	NC	-2998.10	701.05
43	DL	1377.43	-772.71	93	SEG33	613.73	772.98				
44	C68/(80)	1472.28	-772.71	94	SEG34	518.88	772.98				
45	RES	1567.13	-772.71	95	SEG35	424.03	772.98				
46	TEST	1661.98	-772.71	96	SEG36	329.18	772.98				
47	ICONS1	1758.23	-772.71	97	SEG37	234.33	772.98				
48	COM0	1868.30	-772.71	98	SEG38	139.48	772.98				
49	COM1	1978.38	-772.71	99	SEG39	44.63	772.98				
50	COM2	2088.45	-772.71	100	SEG40	-50.23	772.98				

7 PIN DESCRIPTIONS

7.1 $\overline{D/C}$

This pin is Data/ Command control pin. When the pin is pulled high, the data at D7-D0 is treated as display data. When the pin is pulled low, the data at D7-D0 will be transferred to the command register.

7.2 $\overline{R/W}$ (\overline{WR})

This pin is microprocessor interface input. When interfacing to a 6800-series microprocessor, this pin will be used as R/W signal input. Read mode will be carried out when this pin is pulled high and write mode when low.

When interfacing to a 8080-microprocessor, this pin will be the \overline{WR} input. Data write operation is initiated when this pin is pulled low and the chip is selected.

This pin must be fixed to high or low in serial mode.

7.3 DVDD & AVDD

Digital and Analog Power supply pin.

7.4 DVSS & AVSS

Ground.

7.5 $\overline{E}(\overline{RD})$

This pin is microprocessor interface input. When interfacing to a 6800-series microprocessor, this pin will be used as the enable signal, E. Read/ Write operation is initiated when this pin is pulled high and the chip is selected.

When interfacing to a 8080-microprocessor, this pin receives the \overline{RD} signal. Data read operation is initiated when this pin is pulled low and the chip is selected.

This pin must be fixed to high or low in serial mode.

7.6 \overline{CS}

This pin is the chip select input.

7.7 D7-D0

These pins are the 8-bit bi-directional data bus to be connected to the microprocessor in parallel interface mode. In 8-bit bus mode, D7 is the MSB while D0 is the LSB. In 4-bit bus mode, it is needed to transfer 4-bit data (through D7-D4) by two times. The high order bits (for 8-bit mode D7-D4) are written before the low order bits (for 8-bit mode D3-D0) in write transaction and low order bits (8-bit mode D3-D0) are read before the high order bits (8-bit mode D7-D4) in read transaction. The D3-D0 pins must be fixed to high or low in 4-bit bus mode. After resets, SSD1800 considers first 4-bit data from MPU as the high order bits.

When serial mode is selected, D7 is the serial data input (SDA) and D6 is the serial clock input (SCK). D5-D0 must be fixed to high or low in serial mode

7.7 VL6, VL5, VL4, VL3, VL2

LCD driving voltages. They can be supplied externally or generated by the internal bias divider. They have the following relationship:

$$VL6 > VL5 > VL4 > VL3 > VL2 > V_{SS}$$

	1:4 bias	1:5 bias (default)
VL5	$3/4 * VL6$	$4/5 * VL6$
VL4	$2/4 * VL6$	$3/5 * VL6$
VL3	$2/4 * VL6$	$2/5 * VL6$
VL2	$1/4 * VL6$	$1/5 * VL6$

VL6 is the most positive LCD driving voltage. It can be supplied externally or generated by the internal regulator. It is recommended to add a capacitor between VL6 and Vss for external regulator.

7.8 VF

This pin is the input of the built-in voltage regulator. When external resistor network is selected to generate the LCD driving level, VL6, two external resistors, R1 and R2, are connected between AVss and VF, and VF and VL6, respectively (see application circuit)

7.9 REF

This pin is to select the input voltage of internal voltage regulator. This pin is need to pulled low for normal internal voltage regulator operation.

7.10 DIRS

This pin controls the direction of Segment.

When DIRS = Low

SEG0 -> SEG2 -> -> SEG78 -> SEG79

When DIRS = High

SEG79 -> SEG78 -> -> SEG1 -> SEG0

7.11 CLK

External clock input. It must be fixed to high or low when the internal oscillation circuit is used. In case of the external clock mode, CLK is used as the clock and OSC bit should be OFF.

7.12 P/S

This pin is serial/ parallel interface selection input. When this pin is pulled high, parallel mode is selected. When it is pulled low, serial interface will be selected. Read back operation is only available in parallel mode.

7.13 DL

This pin is to select the data length for parallel data input.

When P/\bar{S} = Low

DL = Low or High: serial interface mode

When P/\bar{S} = High

DL = Low: 4-bit bus mode

DL = High: 8-bit bus mode

This pin must be fixed to high or low in serial mode.

7.14 C68/ $\overline{80}$

This pin is microprocessor interface selection input. When the pin is pulled high, 6800 series interface is selected and when the pin is pulled low, 8080 series MCU interface is selected. This pin must be fixed to high or low in serial mode.

7.15 \overline{RES}

This pin is reset signal input. Initialization of the chip is started once this pin is pulled low. Minimum pulse width for completing the reset is 10ms.

7.16 TEST

Test pin. This pin is not used for normal operation. Leave this pin open (NC).

7.17 C1P, C1N, C2P and C2N

When internal DC-DC voltage converter is used, external capacitors are connected between these pins. Different connection will result in different DC-DC converter multiple factor, 2x/3x. Details connections please refer to Figure 12.

7.18 COMI0, COMI1

There are two icons pins (pin47 and 140). Both pins output exactly the same signal. The reason for duplicating the pin is to enhance the flexibility of the LCD layout.

7.19 COM0 – COM15

These pins provide the common driving signal COM0 – COM15 to the LCD panel. Their output voltage levels are AV_{ss} during sleep mode and standby mode.

7.20 SEG0 - SEG79

These pins provide the LCD segment driving signals. Their output voltage levels are AV_{ss} during sleep mode and standby mode.

7.21 NC

These are the No Connection pins. Nothing should be connected to these pins, nor they are connected together. These pins should be left open individually.

8 FUNCTIONAL BLOCK DESCRIPTIONS

8.1 Command Decoder and Command Interface

This module determines whether the input data is interpreted as data or command. Data is directed to this module based upon the input of the D/\overline{C} pin. If D/\overline{C} is high, data is written to internal memories (DDRAM, CGRAM, ICONRAM). If D/\overline{C} is low, the input at D7-D0 is interpreted as a Command and it will be decoded and be written to the corresponding command register.

8.2 MPU Parallel 6800-series Interface in 8 bits bus mode

The parallel interface consists of 8 bi-directional data pins (D7-D0), R/\overline{W} (\overline{WR}), D/\overline{C} , $E(\overline{RD})$, \overline{CS} . R/\overline{W} (\overline{WR}) input high indicates a read operation from the internal RAM (DDRAM, CGRAM and ICONRAM). R/\overline{W} (\overline{WR}) input low indicates a write operation to internal RAM (DDRAM, CGRAM and ICONRAM) or Internal Command Registers depending on the status of D/\overline{C} input. The $E(\overline{RD})$ input serves as data latch signal (clock) when high provided that \overline{CS} are low. Refer to Figure 20 for Parallel Interface Timing Diagram of 6800-series microprocessors.

In order to match the operating frequency of display RAM with that of the microprocessor, some pipeline processings are internally performed which require the insertion of a dummy read before the first actual display data read. This is shown in Figure 4 below. The dummy read make the address counter (AC) increased by 1. So it is recommended to set address again before writing. The consecutive read after the dummy read are also the valid data. The instruction read cycle is not supported and it is regarded as a no operation cycle.

8.3 MPU Parallel 8080-series Interface in 8 bits bus mode

The parallel interface consists of 8 bi-directional data pins (D7-D0), R/\overline{W} (\overline{WR}), D/\overline{C} , $E(\overline{RD})$, \overline{CS} . $E(\overline{RD})$ input serves as data read latch signal (clock) when low provided that \overline{CS} is low whether it is Command write or internal RAM read/ write is controlled by D/\overline{C} . R/\overline{W} (\overline{WR}) input serves as data write latch signal (clock) when low provided that \overline{CS} is low. Refer to Figure 21 for Parallel Interface Timing Diagram of 8080-series microprocessor.

Similar to 6800-series interface, a dummy read is also required before the first actual display data read.

8.4 4-bit MPU Parallel 6800/8080-Series Interface

The control of 4-bit bus mode is exactly the same as 8-bit bus mode except 2 consecutive access (read/ write) is needed to read/ write 8 bits data. For write operation, upper order bits are written before the low order bits, and low order bits are always read before the upper order bit in read transaction.

8.5 MPU Serial Interface

The serial interface consists of serial clock SCK (D6), serial data SDA (D7), D/\overline{C} , \overline{CS} . SDA is shifted into a 8-bit shift register on every rising edge of SCK in the order of D7, D6, ... D0. D/\overline{C} is sampled on every eighth clock to determine whether the data byte in the shift register is written to the internal RAM (DDRAM, CGRAM, ICONRAM) or command register at the same clock.

8.6 Oscillator Circuit

This module is an On-Chip low power RC oscillator circuitry. The oscillator generates the clock for the DC-DC voltage converter. This clock is also used in the Display Timing Generator.

8.7 ADDRESS COUNTER (AC)

Address Counter (AC) in SSD1800 stores DDRAM/ CGRAM/ ICONRAM address. After writing into or reading from DDRAM/ CGRAM/ ICONRAM. AC is automatically increased by 1. There is only one address counter and stores the address among DDRAM / CGRAM / ICONRAM.

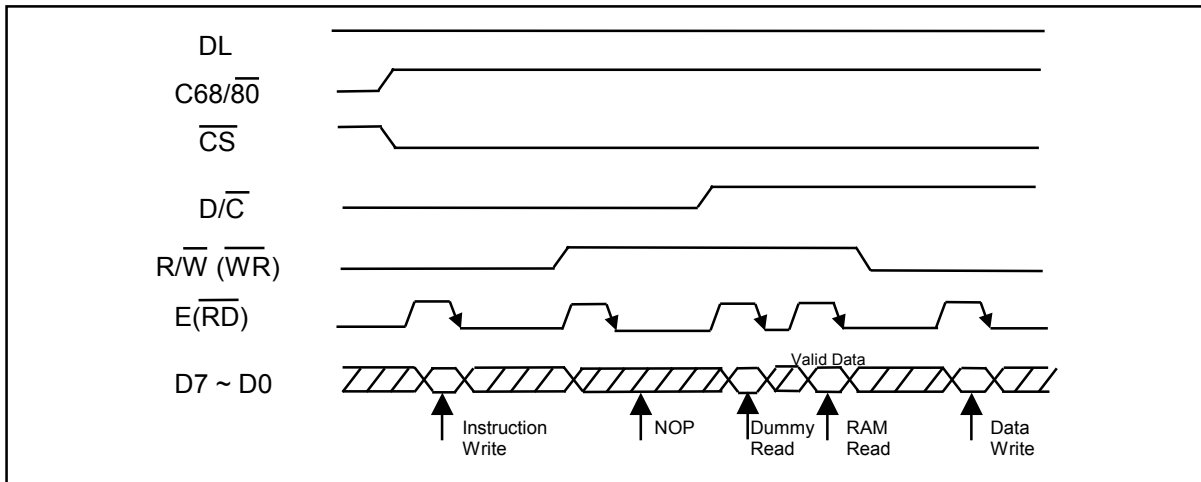


Figure 4 - Timing Diagram of 8-bit Parallel Bus Mode Data Transfer (6800 MPU Mode)

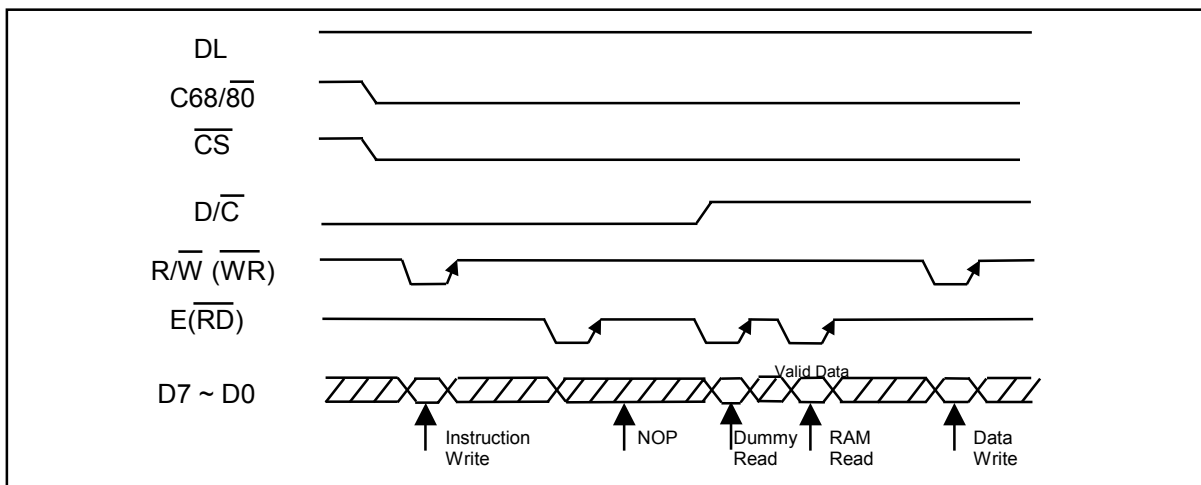


Figure 5 - Timing Diagram of 8-bit Parallel Bus Mode Data Transfer (8080 MPU Mode)

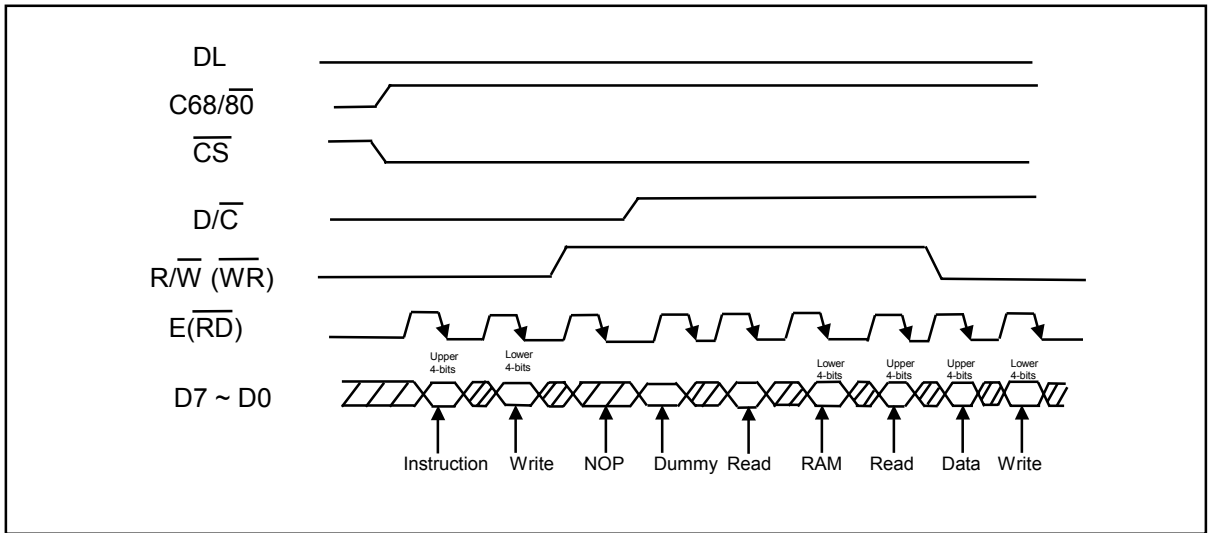


Figure 6 - Timing Diagram of 4-bit Parallel Bus Mode Data Transfer (6800 MPU Mode)

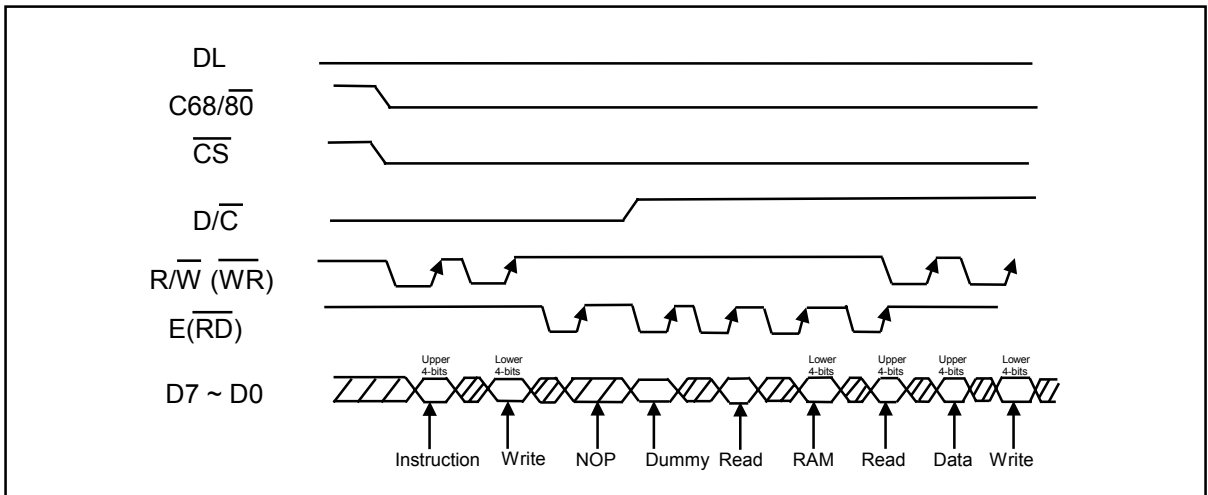


Figure 7 - Timing Diagram of 4-bit Parallel Bus Mode Data Transfer (8080 MPU Mode)

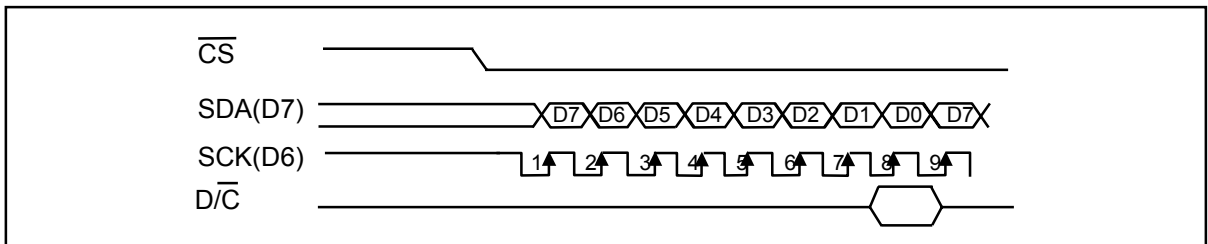
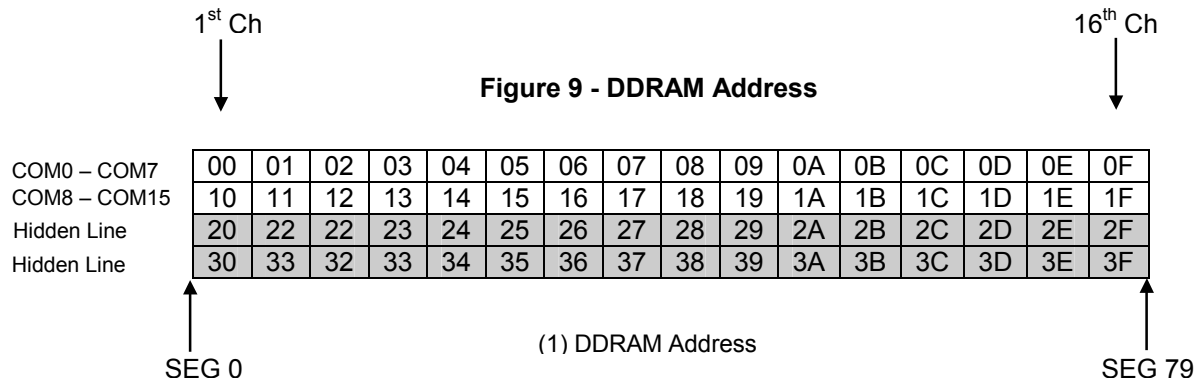


Figure 8 - Timing Diagram of Serial Data Transfer

8.8 Display Data RAM (DDRAM)

DDRAM stores display data of maximum 64 x 8 bits (Max 64 characters). DDRAM address is set in the address counter as a hexadecimal number.



8.9 SEGMENT ICON RAM (ICONRAM)

ICONRAM has segment control data and segment pattern data. There are 2 ICONS pins (COMI0 & COMI1), which have the same signal. So the icons on the same SEG are displayed at the same time. The number of icons is 80.

Table 4 - Relationship between ICONRAM Address and Display Pattern

ICONRAM address	ICONRAM bits							
	D7	D6	D5	D4	D3	D2	D1	D0
00h	-	-	-	S0	S1	S2	S3	S4
01h	-	-	-	S5	S6	S7	S8	S9
02h	-	-	-	S10	S11	S12	S13	S14
...
0Dh	-	-	-	S65	S66	S67	S68	S69
0Eh	-	-	-	S70	S71	S72	S73	S74
0Fh	-	-	-	S75	S76	S77	S78	S79

Note: “-“: Don't care.

8.10 Character Generator ROM (CGROM)

CGROM has 5 x 8 dot 256 characters. The Function Set instruction selects the 8 characters (00h - 07h) of CGROM or CGRAM.

Table 5 - CGROM Character Code

		Lower 4 bits															
		0000	0001	0010	0011	0100	0101	0110	0111	1000	1001	1010	1011	1100	1101	1110	1111
Upper 4 bits	0000																
	0001	⌘	⌘	⌘	⌘	⌘	⌘	⌘	⌘	⌘	⌘	⌘	⌘	⌘	⌘	⌘	⌘
	0010	.	!	"	#	\$	%	&	'	()	*	+	,	-	.	/
	0011	0	1	2	3	4	5	6	7	8	9	:	<	=	>	?	
	0100	A	B	C	D	E	F	G	H	I	J	K	L	M	N	O	
	0101	P	Q	R	S	T	U	V	W	X	Y	Z	[\]	^	
	0110	a	b	c	d	e	f	g	h	i	j	k	l	m	n	o	
	0111	p	q	r	s	t	u	v	w	x	y	z	{		}	~	
	1000	Ⓔ	Ⓕ	Ⓖ	Ⓗ	Ⓘ	Ⓚ	Ⓛ	Ⓜ	Ⓝ	Ⓞ	Ⓟ	Ⓠ	Ⓡ	Ⓢ	Ⓣ	Ⓤ
	1001	Ⓡ	Ⓢ	Ⓣ	Ⓤ	Ⓟ	Ⓠ	Ⓡ	Ⓢ	Ⓣ	Ⓤ	Ⓟ	Ⓠ	Ⓡ	Ⓢ	Ⓣ	Ⓤ
	1010	Ⓡ	Ⓢ	Ⓣ	Ⓤ	Ⓟ	Ⓠ	Ⓡ	Ⓢ	Ⓣ	Ⓤ	Ⓟ	Ⓠ	Ⓡ	Ⓢ	Ⓣ	Ⓤ
	1011	Ⓡ	Ⓢ	Ⓣ	Ⓤ	Ⓟ	Ⓠ	Ⓡ	Ⓢ	Ⓣ	Ⓤ	Ⓟ	Ⓠ	Ⓡ	Ⓢ	Ⓣ	Ⓤ
	1100	Ⓡ	Ⓢ	Ⓣ	Ⓤ	Ⓟ	Ⓠ	Ⓡ	Ⓢ	Ⓣ	Ⓤ	Ⓟ	Ⓠ	Ⓡ	Ⓢ	Ⓣ	Ⓤ
	1101	Ⓡ	Ⓢ	Ⓣ	Ⓤ	Ⓟ	Ⓠ	Ⓡ	Ⓢ	Ⓣ	Ⓤ	Ⓟ	Ⓠ	Ⓡ	Ⓢ	Ⓣ	Ⓤ
	1110	Ⓡ	Ⓢ	Ⓣ	Ⓤ	Ⓟ	Ⓠ	Ⓡ	Ⓢ	Ⓣ	Ⓤ	Ⓟ	Ⓠ	Ⓡ	Ⓢ	Ⓣ	Ⓤ
	1111	Ⓡ	Ⓢ	Ⓣ	Ⓤ	Ⓟ	Ⓠ	Ⓡ	Ⓢ	Ⓣ	Ⓤ	Ⓟ	Ⓠ	Ⓡ	Ⓢ	Ⓣ	Ⓤ

Note: The CGROM 0000xxxx are empty.

8.11 Character Generator RAM (CGRAM)

CGRAM has up to 5 x 8 dots 8 characters. By writing font data to CGRAM, user defined character can be used. CGRAM can be written regardless of Function Set instruction.

Table 6 - Relationship between Character Code (DDRAM) and Character Pattern (CGRAM)

Character Code (DDRAM data)	CGRAM address	ICONRAM bits							
		D7	D6	D5	D4	D3	D2	D1	D0
00h (Pattern 0)	40h	-	-	-	X	X	X	X	X
	41h	-	-	-	X	X	X	X	X
	42h	-	-	-	X	X	X	X	X
	43h	-	-	-	X	X	X	X	X
	44h	-	-	-	X	X	X	X	X
	45h	-	-	-	X	X	X	X	X
	46h	-	-	-	X	X	X	X	X
	47h	-	-	-	X	X	X	X	X
01h (Pattern 1)	48h	-	-	-	X	X	X	X	X
	49h	-	-	-	X	X	X	X	X
	4Ah	-	-	-	X	X	X	X	X
	4Bh	-	-	-	X	X	X	X	X
	4Ch	-	-	-	X	X	X	X	X
	4Dh	-	-	-	X	X	X	X	X
	4Eh	-	-	-	X	X	X	X	X
	4Fh	-	-	-	X	X	X	X	X
02h (Pattern 2)	50h	-	-	-	X	X	X	X	X
	51h	-	-	-	X	X	X	X	X
	52h	-	-	-	X	X	X	X	X
	53h	-	-	-	X	X	X	X	X
	54h	-	-	-	X	X	X	X	X
	55h	-	-	-	X	X	X	X	X
	56h	-	-	-	X	X	X	X	X
	57h	-	-	-	X	X	X	X	X
03h (Pattern 3)	58h	-	-	-	X	X	X	X	X
	59h	-	-	-	X	X	X	X	X
	5Ah	-	-	-	X	X	X	X	X
	5Bh	-	-	-	X	X	X	X	X
	5Ch	-	-	-	X	X	X	X	X
	5Dh	-	-	-	X	X	X	X	X
	5Eh	-	-	-	X	X	X	X	X
	5Fh	-	-	-	X	X	X	X	X
04h (Pattern 4)	60h	-	-	-	X	X	X	X	X
	61h	-	-	-	X	X	X	X	X
	62h	-	-	-	X	X	X	X	X
	63h	-	-	-	X	X	X	X	X
	64h	-	-	-	X	X	X	X	X
	65h	-	-	-	X	X	X	X	X
	66h	-	-	-	X	X	X	X	X
	67h	-	-	-	X	X	X	X	X
05h (Pattern 5)	68h	-	-	-	X	X	X	X	X
	69h	-	-	-	X	X	X	X	X
	6Ah	-	-	-	X	X	X	X	X
	6Bh	-	-	-	X	X	X	X	X
	6Ch	-	-	-	X	X	X	X	X
	6Dh	-	-	-	X	X	X	X	X
	6Eh	-	-	-	X	X	X	X	X
	6Fh	-	-	-	X	X	X	X	X

Character Code (DDRAM data)	CGRAM address	ICONRAM bits							
		D7	D6	D5	D4	D3	D2	D1	D0
06h (Pattern 6)	70h	-	-	-	X	X	X	X	X
	71h	-	-	-	X	X	X	X	X
	72h	-	-	-	X	X	X	X	X
	73h	-	-	-	X	X	X	X	X
	74h	-	-	-	X	X	X	X	X
	75h	-	-	-	X	X	X	X	X
	76h	-	-	-	X	X	X	X	X
	77h	-	-	-	X	X	X	X	X
07h (Pattern 7)	78h	-	-	-	X	X	X	X	X
	79h	-	-	-	X	X	X	X	X
	7Ah	-	-	-	X	X	X	X	X
	7Bh	-	-	-	X	X	X	X	X
	7Ch	-	-	-	X	X	X	X	X
	7Dh	-	-	-	X	X	X	X	X
	7Eh	-	-	-	X	X	X	X	X
	7Fh	-	-	-	X	X	X	X	X

NOTE: "-" Don't use
 "X" Pattern 0 or 1

8.12 LCD Driving Voltage Generator and Regulator

This module generates the LCD voltage required for display driving output. It takes a single supply input and generates necessary voltage levels. This block consists of:

1. 2x/3x DC-DC voltage converter

The built-in Regulated DC-DC voltage converter is used to generate positive LCD driving voltage with internal voltage reference, VREF, relative to AVSS

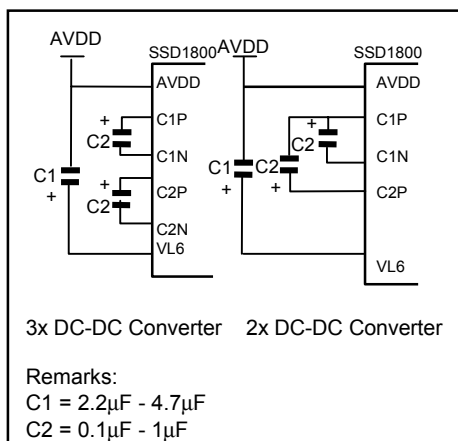


Figure 10 – Configurations for DC-DC Converter

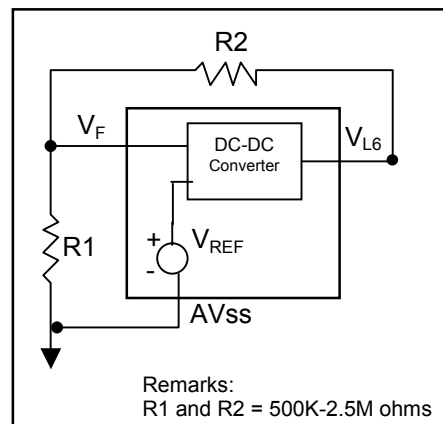


Figure 11 - Configurations for Voltage Regulator

2. Voltage Regulator

The feedback gain control for LCD driving contrast can be adjusted by using reference voltage and external resistor network. The reference voltage is supplied by internal Vref and Ref should be connected to low for normal operation of internal voltage reference Vref. The external resistors are required to be connected between AVss and VF (R1), and between VF and VL6 (R2). The following equations are used to calculate the regulator output voltages.

$$V_{L6} = \left(1 + \frac{R2}{R1}\right) \times V_{REF}$$

AND

$$V_{REF} = 2V \pm 0.06$$

3. Contrast Control

Software control of the 32 contrast voltage levels at each voltage regulator feedback gain. The equation of calculating the LCD driving voltage is given as:

$$V_{L6} = \left(1 + \frac{R2}{R1}\right) \times V_{REF} \times \left(1 - \frac{n}{150}\right)$$

where n is set in contrast control register.

Table 7- Contrast Control Register

No.	X7	X6	X5	X4	X3	X2	X1	X0	n	VL6	Contrast
1	-	-	-	0	0	0	0	0	0 (default)	Maximum	High
2	-	-	-	0	0	0	0	1	1	.	.
3	-	-	-	0	0	0	1	0	2	.	.
4	-	-	-	0	0	0	1	1	3	.	.
.	-	-	-
.	-	-	-
.	-	-	-
31	-	-	-	1	1	1	1	0	30	.	.
32				1	1	1	1	1	31	Minimum	Low

(" - ": Don't care)

4. Bias Divider

Divide the regulator output to give the LCD driving voltages (VL5-VL2). A low power consumption circuit design in this bias divider saves most of the display current comparing to traditional design.

5. Bias Ratio Selection circuitry

Software control of 1/4 and 1/5 bias ratio to match the characteristic of LCD panel.

8.13 Reset Circuit

This block includes Power On Reset circuitry and the Reset pin $\overline{\text{RES}}$. Both of these having the same reset function. Once $\overline{\text{RES}}$ receives a negative reset pulse, all internal circuitry will start to initialize. Minimum pulse width for completing the reset sequence is 10ms.

The status of the chip after reset is given by:

1. Display/ cursor/ blink is turned OFF
2. 2-line display mode
3. Power control register is set to 000b
4. Oscillator is OFF
5. Power save is OFF
6. CGRAM is not used
7. Shift register data clear in serial interface
8. Bias ratio is set to 1/5
9. Address counter is set to 00h
10. Normal scan direction of the COM outputs
11. Contrast control register is set to 00h
12. Test mode is turned OFF
13. In case of 4-bit interface mode selection, SSD1800 considers the 1st 4-bit data from MPU as the high order bits.
14. The 1st line of display is the address 00h-0Fh.

8.14 Display Data Latch

A series of registers carrying the display signal information. For SSD1800, there are 105 latches (80 + 25) for holding the data, which will be fed to the HV Buffer Cell and Level Selector to output the required voltage levels.

8.15 Level Selector

Level Selector is a control of the display synchronization. Display voltage can be separated into two sets and used with different cycles. Synchronization is important since it selects the required LCD voltage level to the HV Buffer Cell, which in turn outputs the COM or SEG LCD waveform.

8.16 HV Buffer Cell (Level Shifter)

Buffer Cell work as a level shifter, which translates the low voltage output signal to the required, driving voltage. The output is shifted out with an internal FRM clock that comes from the Display Timing Generator. The voltage levels are given by the level selector that is synchronized with the internal M signal.

9 VOLTAGE GENERATOR CIRCUIT

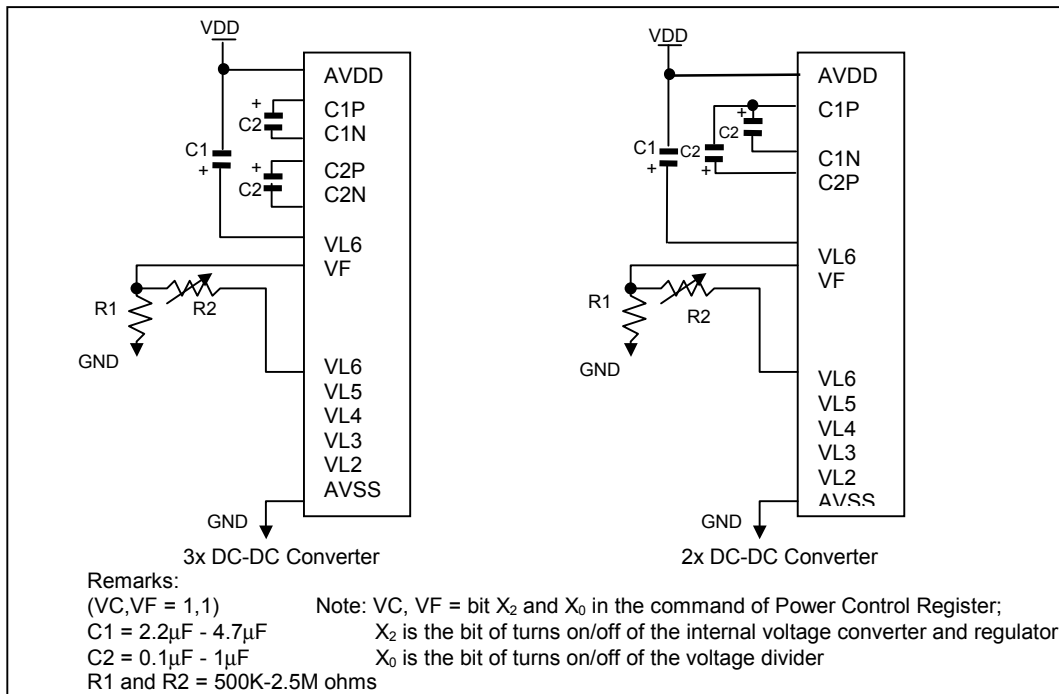


Figure 12 - When Built-in Power Supply is used

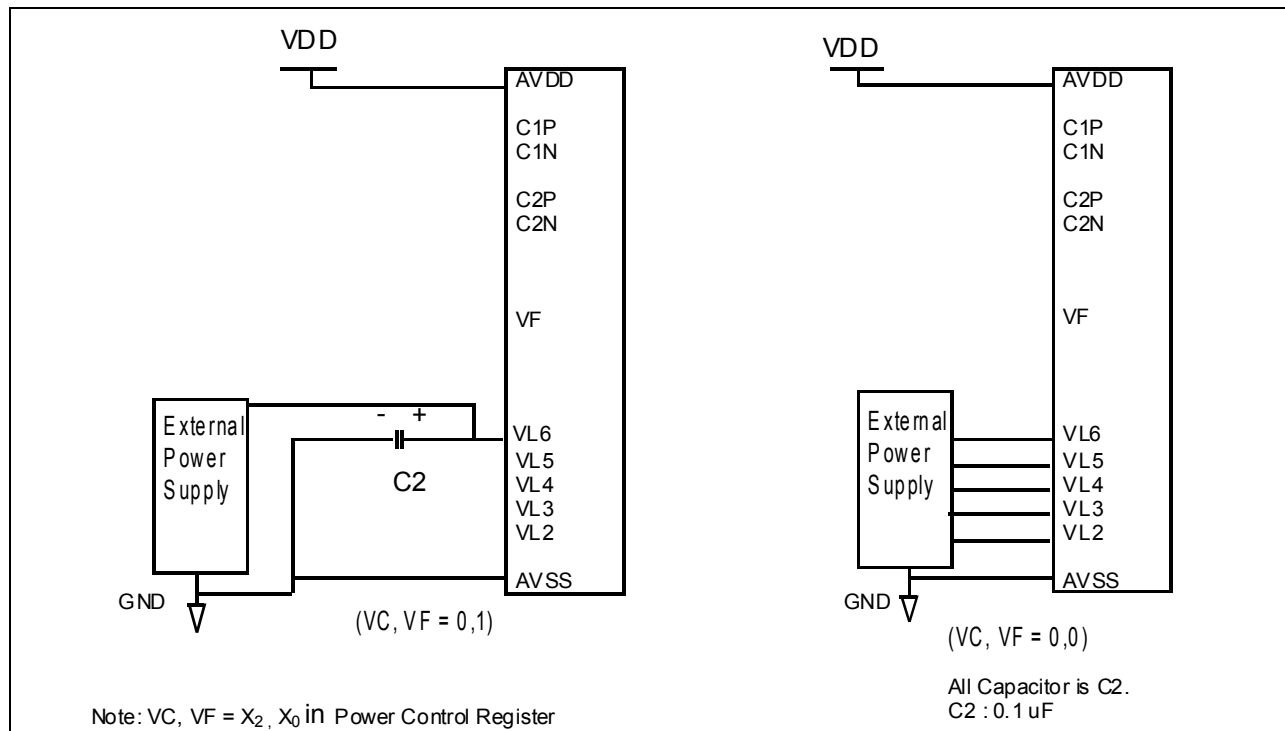
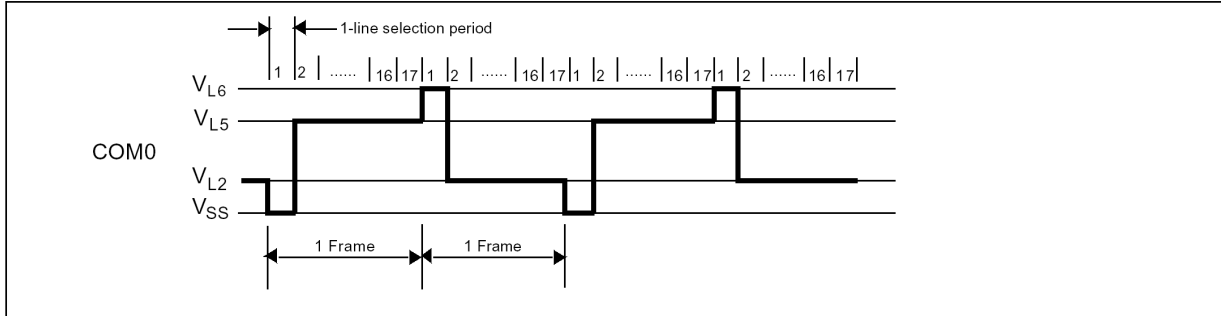


Figure 13 When External Power Supply is used

10 FRAME FREQUENCY

1/17 Duty



1-line selection period = 16 clocks

One frame = $16 \times 17 \times 49.02\mu\text{s} = 13.33\text{ms}$ (1 clock = $49.02\mu\text{s}$ at $f_{\text{osc}} = 20.4\text{kHz}$)

Frame frequency = $1 / 13.33\text{ms} = 75\text{Hz}$

11 COMMAND TABLE

Table 8 - Command Table

D/C	Hex	D7	D6	D5	D4	D3	D2	D1	D0	Command	Description
0	02	0	0	0	0	0	0	1	0	Return Home	DDRAM address is set to 00h from address counter and the cursor returns to 00h position The contents of DDRAM are not changed.
0	08 – 0B	0	0	0	0	1	0	X1	X0	Set Double Height Mode	X1X0 = 00: normal display (POR) X1X0 = 01: COM0 - COM15 is double height X1X0 = 10/11: normal display
0	0C – 0F	0	0	0	0	1	1	X1	X0	Set Power Save Mode / Oscillator Control	X0 = 0: power save OFF (POR) X0 = 1: power save ON X1 = 0: oscillator OFF (POR) X1 = 1: oscillator ON
0	10 – 13	0	0	0	1	0	0	X1	X0	Function Set	X0 = 0: CGROM is selected (POR) X0 = 1: CGRAM is selected X1 = 0: COM0 -> COM15 (POR) X1 = 1: COM15 -> COM0
0	18 – 1B	0	0	0	1	1	0	X1	X0	Set Display Start Line	X1X0 = 00: DDRAM line 1 shows at the first line of LCD (POR). X1X0 = 01: DDRAM line 2 shows at the first line of LCD. X1X0 = 10: DDRAM line 3 shows at the first line of LCD. X1X0 = 11: DDRAM line 4 shows at the first line of LCD.
0	1C – 1D	0	0	0	1	1	1	*	X0	Set Bias Control	X0 = 0: 1/5 bias (POR) X0 = 1: 1/4 bias
0	20 – 27	0	0	1	0	0	X2	X1	X0	Set Power Control Register	X0 = 0: turns off the voltage divider (POR) X0 = 1: turns on the voltage divider X1 : Don't care X2 = 0: turns off the internal voltage converter and regulator (POR) X2 = 1: turns on the internal voltage converter and regulator
0	28 – 2F	0	0	1	0	1	X2	X1	X0	Set Display Control	X0 = 0: turns off the display (POR) X0 = 1: turns on the display X1 = 0: blink off (POR) X1 = 1: blink on X2 = 0: cursor off (POR) X2 = 1: cursor on
0	80 – FF	1	X6	X5	X4	X3	X2	X1	X0	Set DD/CGRAM address	DDRAM/ CGRAM address range: DDRAM: 00h - 3Fh CGRAM: 40h - 7Fh
0	40 – 5F	0	1	0	X4	X3	X2	X1	X0	Set ICONRAM address / Contrast Control	ICONRAM address range / Contrast Control Register: ICONRAM: 00h - 0Fh Contrast Control Register: 10h TE: 11h (test byte)
0	00	0	0	0	0	0	0	0	0	NOP	Command for No Operation
0	30	0	0	1	1	*	*	*	*	Set Test Mode	Reserved for IC testing. Do Not use

Note:

1. Patterns other than that given in Command Table are prohibited to enter to the chip as a command. Otherwise, unexpected result will occur.
2. "*" : Don't care.

Data Read/ Write

To read data from the internal memories (DDRAM/ CGRAM/ ICONRAM), input high to $\overline{R/W}$ (\overline{WR}) pin and $\overline{D/C}$ pin for 6800-series parallel mode, low to $\overline{E(RD)}$ pin and high to $\overline{D/C}$ pin for 8080-series parallel mode. No data read is provided for serial mode. In normal mode, address counter will be increased by one automatically after each data read. A dummy read is required before the first data read. See Figure 4 in Functional Description.

To write data to the internal memories (DDRAM/ CGRAM/ ICONRAM), input low to $\overline{R/W}$ (\overline{WR}) pin and high to $\overline{D/C}$ pin for 6800-series and 8080-series parallel mode. For serial interface, it will always be in write mode. Address counter will be increased by one automatically after each data write.

12 COMMAND DESCRIPTIONS

12.1 Return Home

Return Home instruction field makes cursor return home. DDRAM address is set to 00h from address counter and the cursor returns to 00h position. The contents of DDRAM are not changed.

12.2 Set Double Height Mode

This command increases the height of one character line from 8 to 16 dots. If the number of COM signal needed exceeds the existing COM signal, the last character line will not be displayed. It will happen at following case:

1. For $X_1X_0 = 01$, where COM0-COM15 is double height.
The 2nd line will not be displayed.

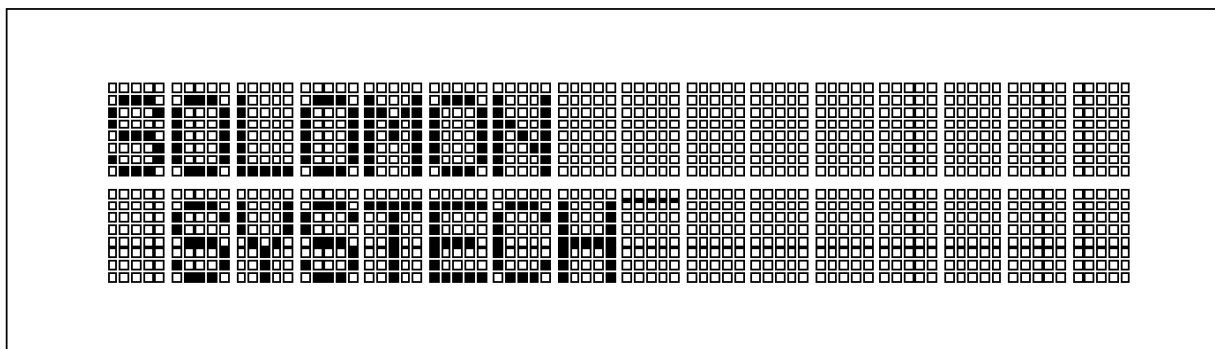


Figure 14– Function set command ($X_1X_0 = 00$)

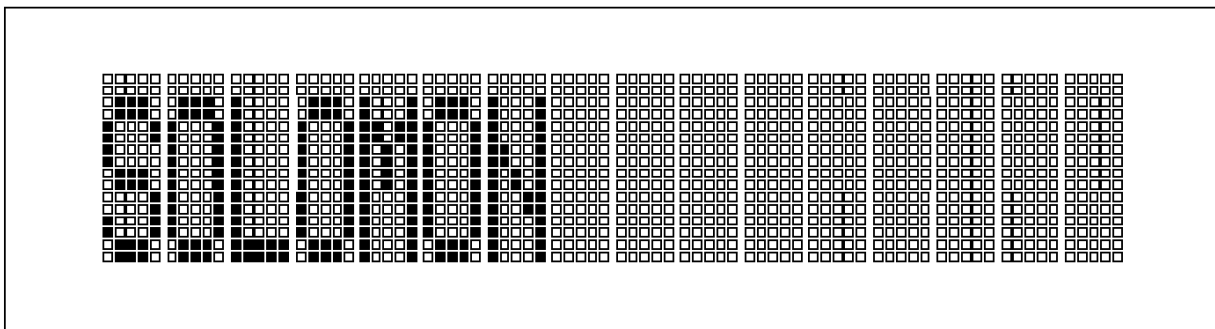


Figure 15 - COM0 ~ COM15 is a Double Height Line in function set command ($X_1X_0 = 01$)

12.3 Set Power Save Mode / Oscillator Control

To enter Standby or Sleep Mode, it should be done by turning off the internal oscillator and turning on the power save control bit. The corresponding control bits are $X_1X_0 = 01$. In order to put the system into low power consumption mode, internal voltage converter, voltage regulator and voltage divider should also be turned off by using Power Control Register. After putting the system into power save mode, the following status will be entered:

1. Internal oscillator and LCD power supply circuits are stopped.
2. Segment and Common drivers output AVss level.
3. The display data and operation mode before sleep are held. All the internal circuit is stopped.

12.4 Function Set

This command sets 2 functions on the system. They are COM shift direction (left or right) and CGROM/ CGRAM character area select.

12.5 Set Display Start Line

This command is to set Display Start Line register to determine starting address of display data RAM to be displayed by selecting a value from 0 to 3. With the value equals to 0, the display will start from address (00h-0Fh). With the value equals to 1, the display will start from address (10h-1Fh). With the value equals to 2, the display will start from address (20h-2Fh). With the value equals to 3, the display will start from address (30-3Fh).

12.6 Set Bias Control

Bias ratio 1/4 or 1/5 could be set using this command. When changing the number of line display, the bias ratio also needs to be adjusted to make display contrast consistent.

12.7 Set Power Control Register

This command turns on / off the various power circuits associated with the chip which including regulated DC-DC converter and voltage divider.

12.8 Set Display Control

This command provides 3 display functions. It turns on/off of the cursor, blink and display. When both cursor and blink control bit set high, the driver make LCD alternate between inverting display character and normal display character at the cursor position with about a half second. On the contrary, if cursor control bit is low, only a normal character is displayed regardless of blink control bit.

X2, X1	Display State
1, 0 (Cursor Mode)	
1, 1 (Blinking Mode)	
0, 0 0, 1	

Figure 16 - Display Attributes

12.9 Set DD/ CGRAM Address

Before writing/ reading data into/ from the RAM, set the address by RAM address set instruction. Next, when data are written/ read in succession, the address is automatically increased by 1. After accessing 7Fh, the address is 00h.

Table 9 - DD/ CGRAM Address Mapping

ADDRESS	0	1	2	3	4	5	6	7	8	9	A	B	C	D	E	F
00H	DDRAM LINE 1 (00H - 0FH)															
10H	DDRAM LINE 2 (10H - 1FH)															
20H	DDRAM LINE 3 (20H - 2FH)															
30H	DDRAM LINE 4 (30H - 3FH)															
40H	CGRAM (PATTERN 0)								CGRAM (PATTERN 1)							
50H	CGRAM (PATTERN 2)								CGRAM (PATTERN 3)							
60H	CGRAM (PATTERN 4)								CGRAM (PATTERN 5)							
70H	CGRAM (PATTERN 6)								CGRAM (PATTERN 7)							

12.10 Set ICONRAM Address Set

Before writing/ reading data into/ from the ICONRAM, set the address by ICONRAM Address Set instruction. Next, when data are written/ read in succession, the address is automatically increased by 1. The 5 icons at a time can blink if blinking is enabled. The blink attributes of ICON are the same as the cursor blink. For accessing DD/ CGRAM, the DD/ CGRAM Address Set instruction should be set before. After accessing 0Fh, the address of ICONRAM address is 00h. The ICONRAM address ranges are 00h-0Fh.

Table 10 - ICONRAM Address Mapping

ADDRESS	0	1	2	3	4	5	6	7	8	9	A	B	C	D	E	F
00H	ICONRAM (00h - 0Fh)															
10H	C C R	T E	Reserved													

12.11 Set Contrast Control Register

Set the Contrast Control Register (CCR) by ICONRAM Address Set Instruction. Next, data are written to the CCR. The default value of CCR is (00000).

TE: Test Mode Register (Do not Use) (11H)

When the CCR and TE registers are written, the address counter is not increased.

12.12 NOP

A command causing No Operation.

12.13 Set Test Mode

This command forces the driver chip into its test mode for internal testing of the chip. Under normal operation, user should NOT use this command.

13 MAXIMUM RATINGS

Table 11 - Maximum Ratings (Voltage Reference to VSS)

Symbol	Parameter	Value	Unit
AVDD, DVDD	Supply Voltage	-0.3 to +4.0V	V
VL6	VLCD Voltage	-0.3 to +6.5V	V
V _{IN}	Input Voltage	V _{SS} -0.3 to V _{DD} +0.3	V
T _A	Operating Temperature	-30 to +85	°C
T _{stg}	Storage Temperature Range	-65 to +150	°C

* Maximum Ratings are those values beyond which damage to the device may occur. Functional operation should be restricted to the limits in the Electrical Characteristics tables or Pin Description section

This device contains circuitry to protect the inputs against damage due to high static voltages or electric fields; however, it is advised that normal precautions to be taken to avoid application of any voltage higher than maximum rated voltages to this high impedance circuit. For proper operation it is recommended that V_{in} and VL6 be constrained to the range $V_{SS} \leq (V_{in}) \leq V_{DD}$.

Reliability of operation is enhanced if unused inputs are connected to an appropriate logic voltage level (e.g., either V_{SS} or V_{DD}). Unused outputs must be left open. This device may be light sensitive. Caution should be taken to avoid exposure of this device to any light source during normal operation. This device is not radiation protected.

14 DC CHARACTERISTICS

Table 12 - DC Characteristics (Unless otherwise specified, Voltage Referenced to VSS, VDD = 2.4 to 3.6V, TA = -30 to 85°C.)

Symbol	Parameter	Test Condition	Min	Typ	Max	Unit
DVDD AVDD	Logic and Analog Circuit Supply Voltage Range	(Absolute value referenced to DVSS and AVSS)	2.4	2.7	3.6	V
IDD1	Display Operation Supply Current Drain	VDD = 3V, TA = 25°C VLCD = 5.8V without load No access from MPU	-	-	85	μA
IDD2	Access operation from MPU Supply Current Drain	VDD = 3V, TA = 25°C fcyc = 200kHz	-	-	500	μA
ISB	Standby Mode Supply Current	Current No load Oscillator OFF Power Save ON	-	-	5	μA
VLCD VL6	LCD Driving Voltage Input Voltage Regulator Output	VLCD = VL6 - VSS TA = 25°C, C = 1μF	4 4	- -	5.8 5.8	V V
VIH	Logic High Input Voltage		0.8*DVDD	-	DVDD	V
VIL	Logic Low Input Voltage		0	-	0.2*DVDD	V
VOH	Logic High Output Voltage	IOH = -1mA, VDD = 2.4V	DVDD - 0.4	-	-	V
VOL	Logic Low Output Voltage	IOL = 1mA, VDD = 2.4V	-	-	0.4	V
VL6	LCD Driving Voltage Source (VL6)	Regulator Enable (VL6 voltage depends on contrast control/ external resistors network)	AVSS - 0.5	-	5.8	V
VL6	LCD Driving Voltage Source (VL6)	Regulator Disable	-	Floating	-	V
VL6 VL5 VL4 VL3 VL2	LCD Display Voltage Output (V L5, VL4, VL3, VL2)	Voltage reference to AVSS, Bias Divider Enabled, 1:a bias ratio	- - - - -	VL6 (a-1)/a * VL6 (a-2)/a * VL6 2/a * VL6 1/a * VL6	- - - - -	V V V V V
VL6 VL5 VL4 VL3 VL2	LCD Display Voltage Output (V L5, VL4, VL3, VL2)	Voltage reference to AVSS, External Voltage Generator, Bias Divider Disable	VL5 VL4 VL3 VL2 VSS	- - - - -	5.8 VL6 VL5 VL4 VL3	V V V V V
IOH	Logic High Output Current Source	VOUT = VDD - 0.4V	50	-	-	μA
IOL	Logic Low Output Current Drain	VOUT = 0.4V	-	-	-50	μA
IOZ	Logic Output Tri-state Current Drain Source		-1	-	1	μA
IIL/ IIH	Logic Input Current		-1	-	1	μA
CIN	Logic Pins Input Capacitance		-	5	7.5	PF
Vref	Voltage regulator reference voltage		1.94	2	2.06	V

15 AC CHARACTERISTICS

Table 13 - AC Characteristics (Unless otherwise specified, Voltage Referenced to VSS, VDD = 2.4 to 3.6V, TA = -30 to 85°C.)

Symbol	Parameter	Test Condition	Min	Typ	Max	Unit
F _{FRM}	Frame Frequency	Internal Oscillator VDD = 3V, TA = 25°C	67.5	75	90	Hz

Table 14 - 6800-Series MPU Parallel Interface Timing Characteristics (VDD - VSS = 2.4 to 3.6V, TA = -30 to 85°C)

Symbol	Parameter	Min	Typ	Max	Unit
t _{cycle}	Clock Cycle Time	650	-	-	ns
t _{AS}	Address Setup Time	60	-	-	ns
t _{AH}	Address Hold Time	30	-	-	Ns
t _{DSW}	Write Data Setup Time	100	-	-	Ns
t _{DHW}	Write Data Hold Time	50	-	-	Ns
t _{DHR}	Read Data Hold Time	50	-	-	ns
t _{OH}	Output Disable Time	-	-	70	ns
t _{ACC}	Access Time	-	-	100	ns
PW _{EL}	E(\overline{RD}) Low Pulse Width (read)	150	-	-	ns
	E(\overline{RD}) Low Pulse Width (write)	150	-	-	ns
PW _{EH}	E(\overline{RD}) High Pulse Width (read)	450	-	-	ns
	E(\overline{RD}) High Pulse Width (write)	450	-	-	ns
t _R	Rise Time	-	-	25	ns
t _F	Fall Time	-	-	25	ns

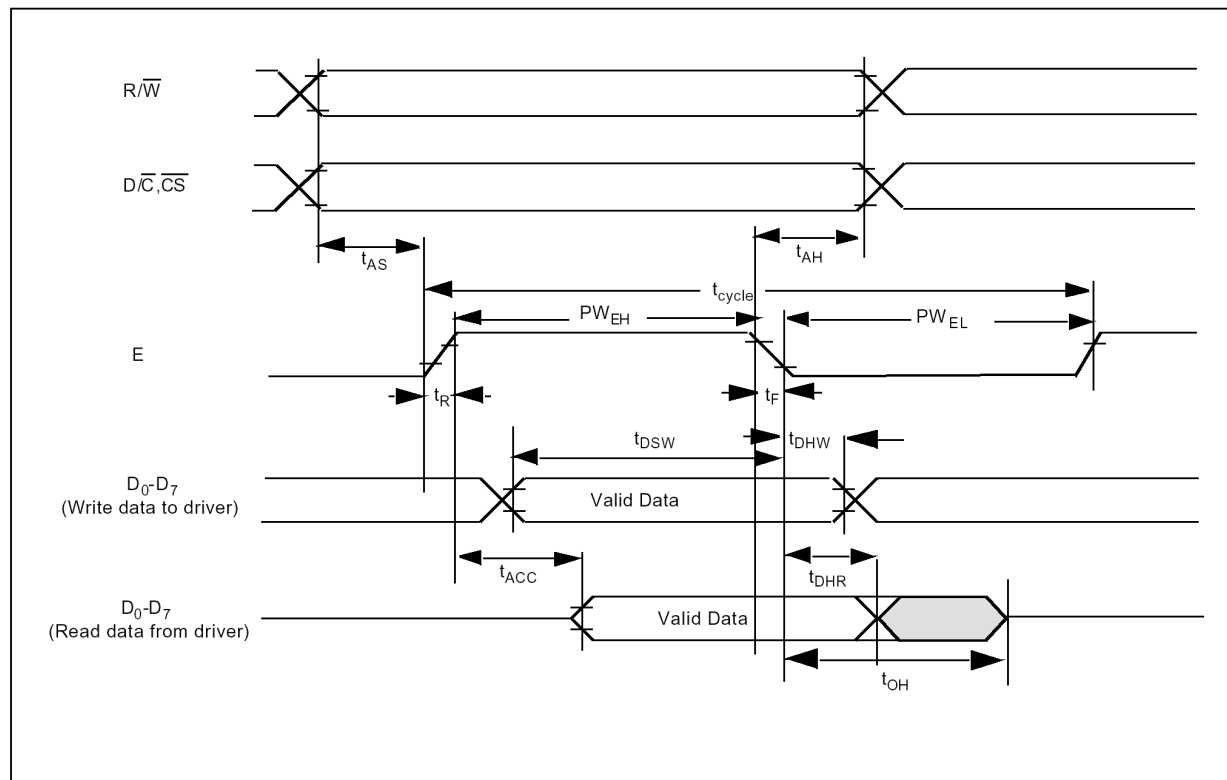


Figure 17- 6800-series MCU Parallel Interface Waveform

Table 15 - 8080-Series MPU Parallel Interface Timing Characteristics (VDD - VSS = 2.4 to 3.6V, TA = -30 to 85°C)

Symbol	Parameter	Min	Typ	Max	Unit
t_{cycle}	Clock Cycle Time	650	-	-	ns
t_{AS}	Address Setup Time	60	-	-	ns
t_{AH}	Address Hold Time	30	-	-	ns
t_{DSW}	Write Data Setup Time	100	-	-	ns
t_{DHW}	Write Data Hold Time	50	-	-	ns
t_{DHR}	Read Data Hold Time	50	-	-	ns
t_{OH}	Output Disable Time	-	-	70	ns
t_{ACC}	Access Time	-	-	100	ns
PW_{WRL}	\overline{WR} Low Pulse Width (read)	450	-	-	ns
	\overline{WR} Low Pulse Width (write)	450	-	-	ns
PW_{WRH}	\overline{WR} High Pulse Width (read)	150	-	-	ns
	\overline{WR} High Pulse Width (write)	150	-	-	ns
t_R	Rise Time	-	-	25	ns
t_F	Fall Time	-	-	25	ns

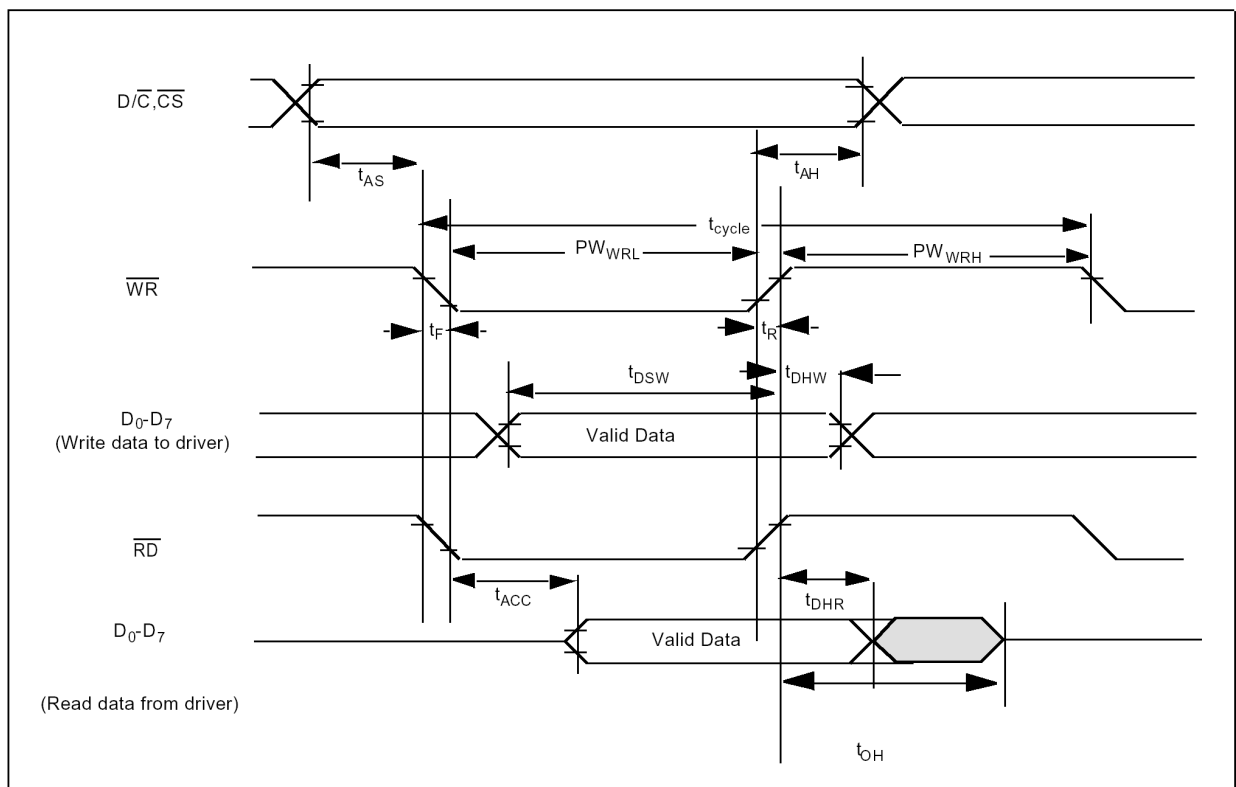


Figure 18– 8080-series MCU Parallel Interface Waveform

Table 16 - Serial Interface Timing Characteristics (VDD - VSS = 2.4 to 3.6V, TA = -30 to 85°C)

Symbol	Parameter	Min	Typ	Max	Unit
t_{cycle}	Clock Cycle Time	1000	-	-	ns
t_{AS}	Address Setup Time	50	-	-	ns
t_{AH}	Address Hold Time	300	-	-	ns
t_{CSS}	Chip Select Setup Time	150	-	-	ns
t_{CSH}	Chip Select Hold Time	700	-	-	ns
t_{DSW}	Write Data Setup Time	50	-	-	ns
t_{DHW}	Write Data Hold Time	50	-	-	ns
t_{CLKL}	Clock Low Time	300	-	-	ns
t_{CLKH}	Clock High Time	300	-	-	ns
t_{R}	Rise Time	-	-	25	ns
t_{F}	Fall Time	-	-	25	ns

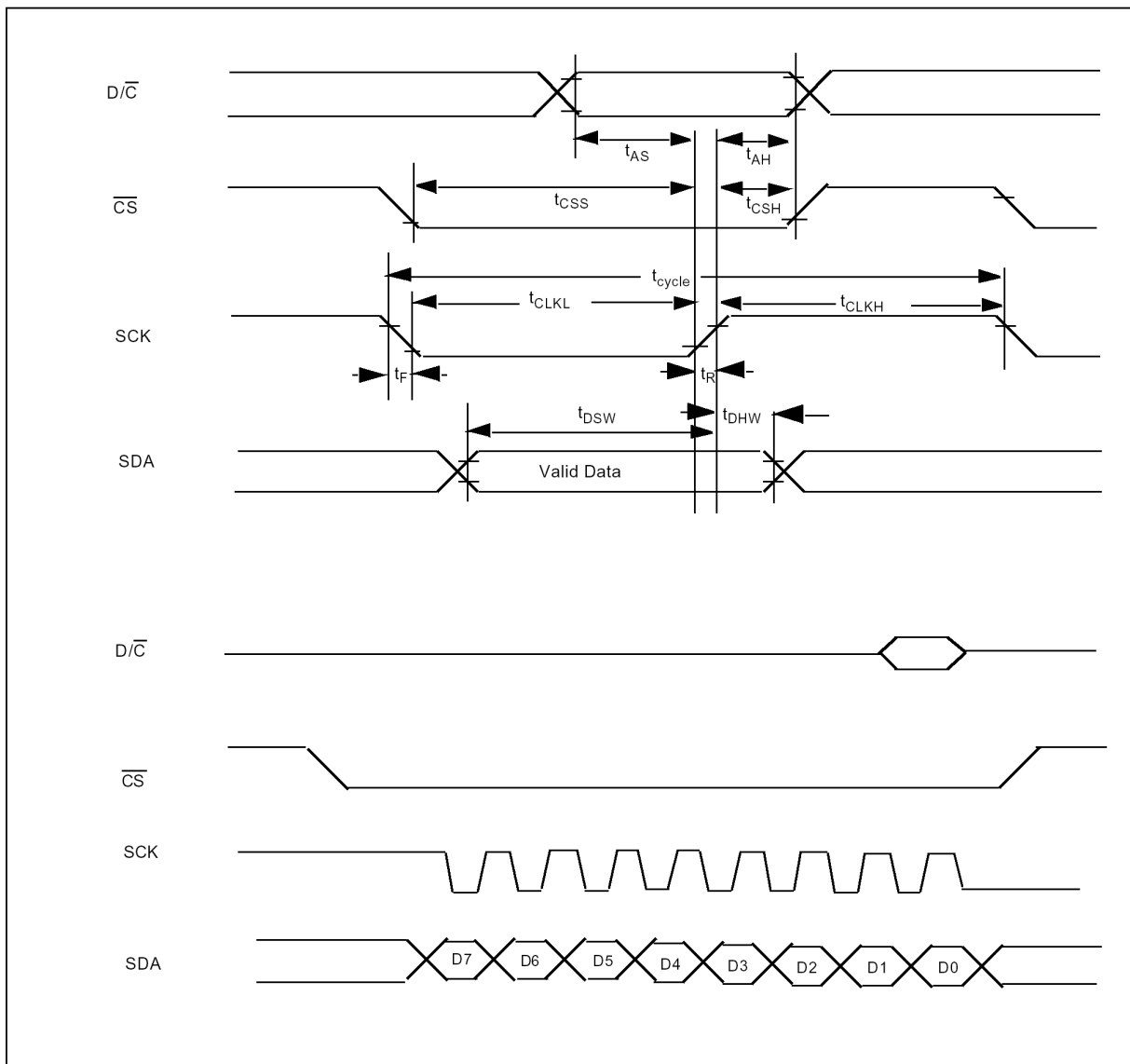


Figure 19– Serial Interface Characteristics

16 APPLICATION EXAMPLES

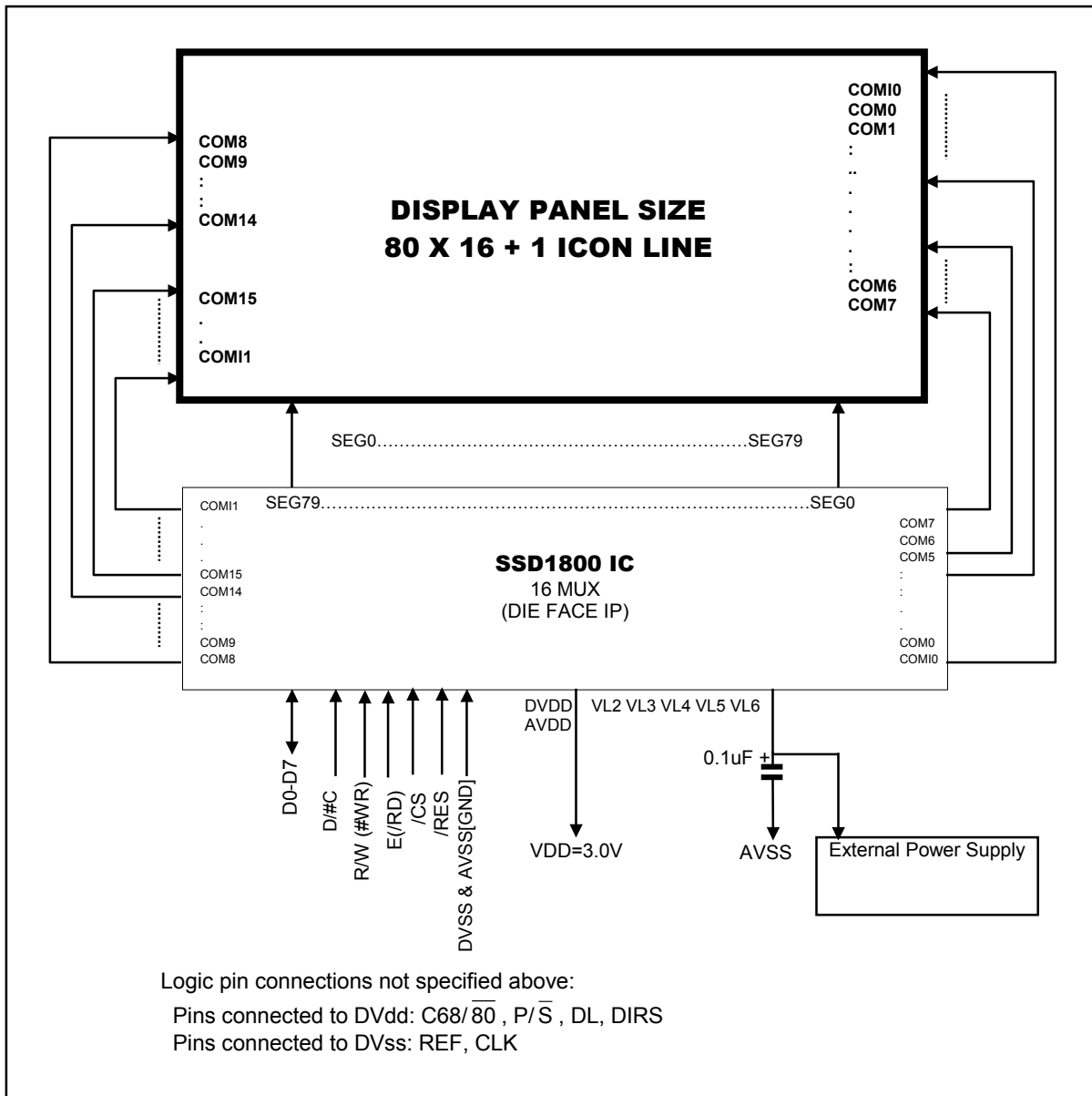


Figure 20- Application Circuit: External Regulator with internal divider mode (8-bit 6800 mode)

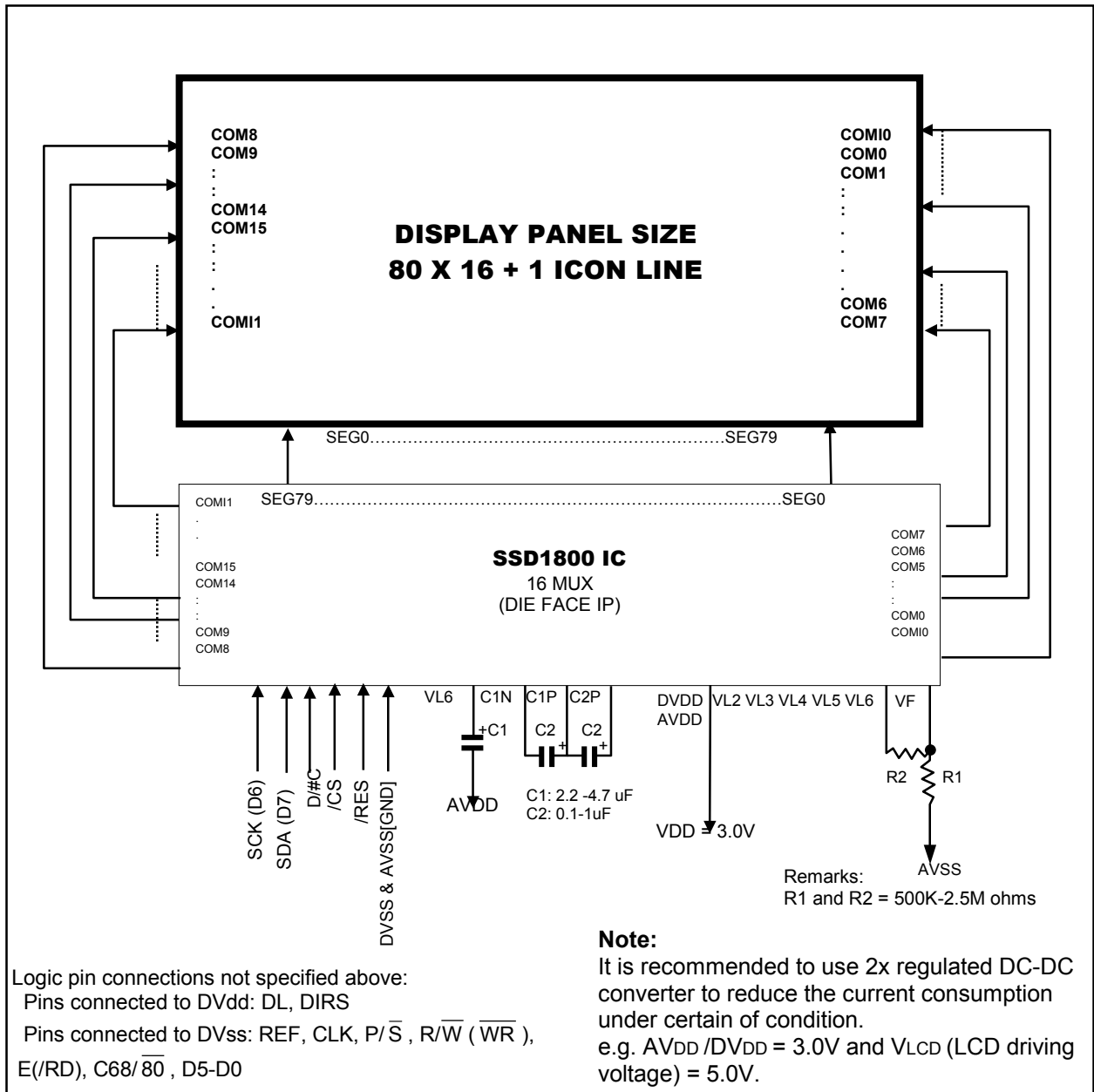


Figure 21 - Application Circuit: ALL internal power mode with 2x regulated DC-DC converter (serial mode)

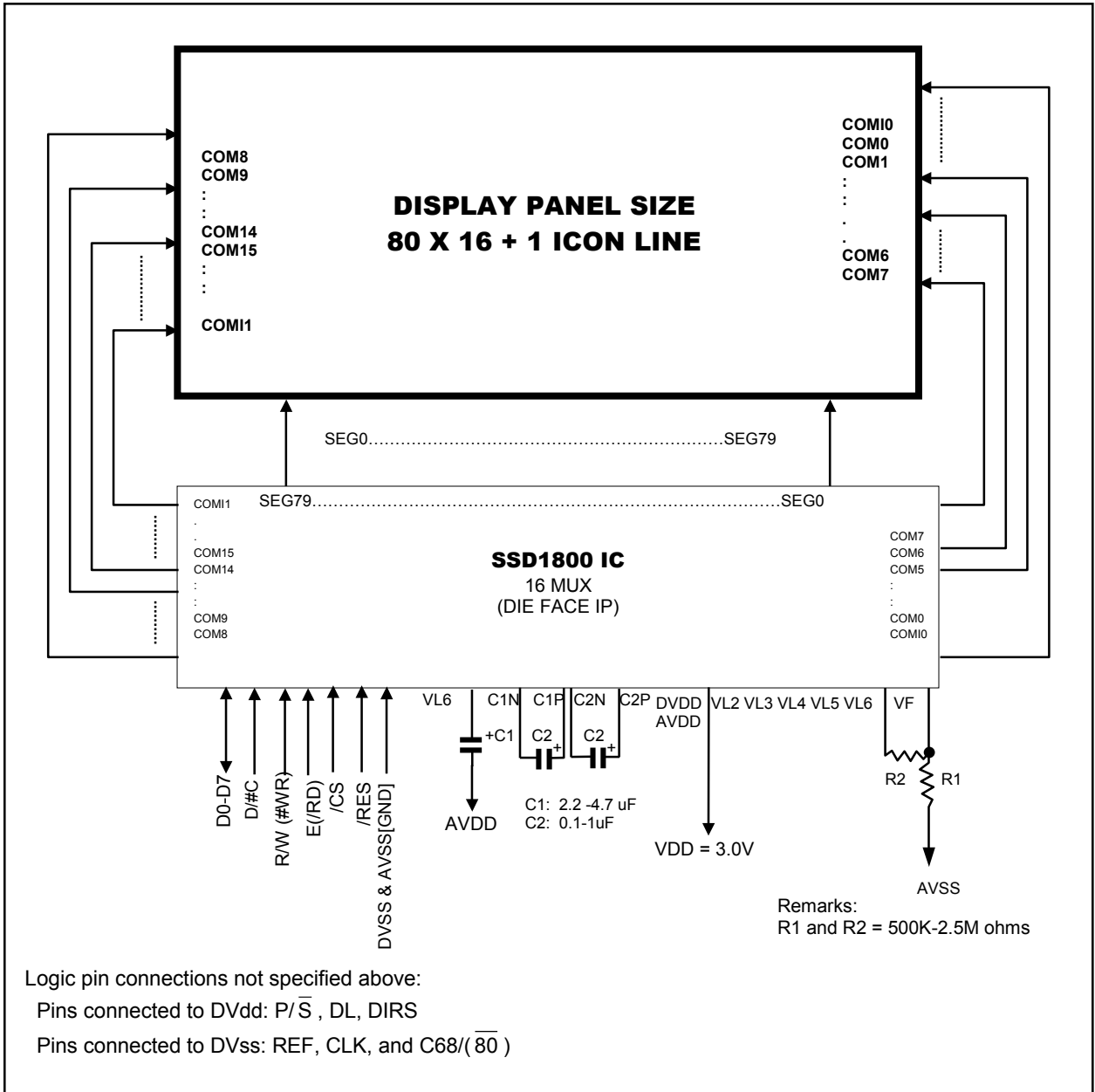


Figure 22- Application Circuit: ALL internal power mode with 3x regulated DC-DC converter (8-bit 8080 mode)

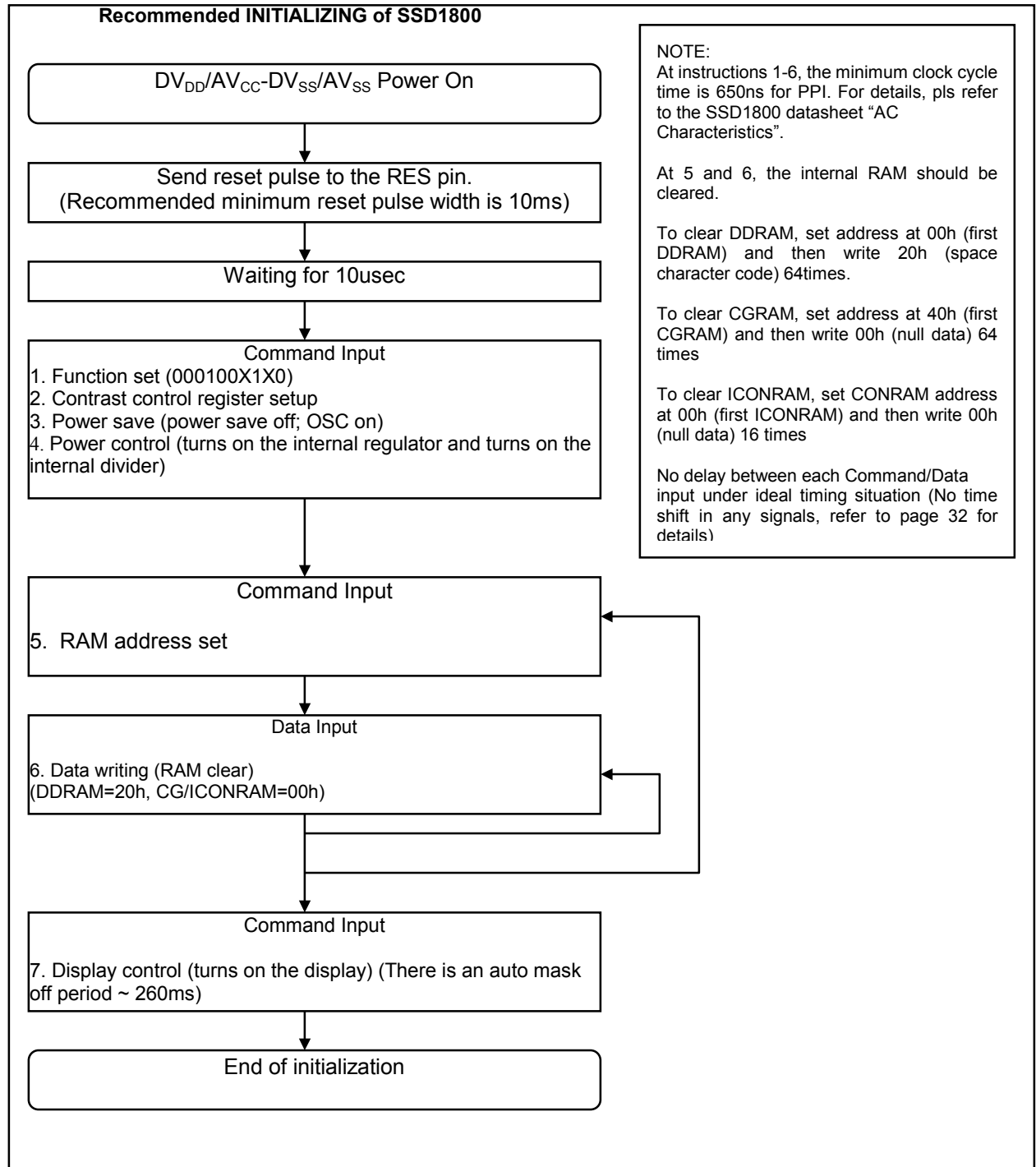


Figure 23- Recommended INITIALIZING of SSD1800

Solomon Systech reserves the right to make changes without further notice to any products herein. Solomon Systech makes no warranty, representation or guarantee regarding the suitability of its products for any particular purpose, nor does Solomon Systech assume any liability arising out of the application or use of any product or circuit, and specifically disclaims any and all liability, including without limitation consequential or incidental damages. "Typical" parameters can and do vary in different applications. All operating parameters, including "Typical" must be validated for each customer application by customer's technical experts. Solomon Systech does not convey any license under its patent rights nor the rights of others. Solomon Systech products are not designed, intended, or authorized for use as components in systems intended for surgical implant into the body, or other applications intended to support or sustain life, or for any other application in which the failure of the Solomon Systech product could create a situation where personal injury or death may occur. Should Buyer purchase or use Solomon Systech products for any such unintended or unauthorized application, Buyer shall indemnify and hold Solomon Systech and its offices, employees, subsidiaries, affiliates, and distributors harmless against all claims, costs, damages, and expenses, and reasonable attorney fees arising out of, directly or indirectly, any claim of personal injury or death associated with such unintended or unauthorized use, even if such claim alleges that Solomon Systech was negligent regarding the design or manufacture of the part.

<http://www.solomon-systech.com>