

# ISDN U Interface Hybrid

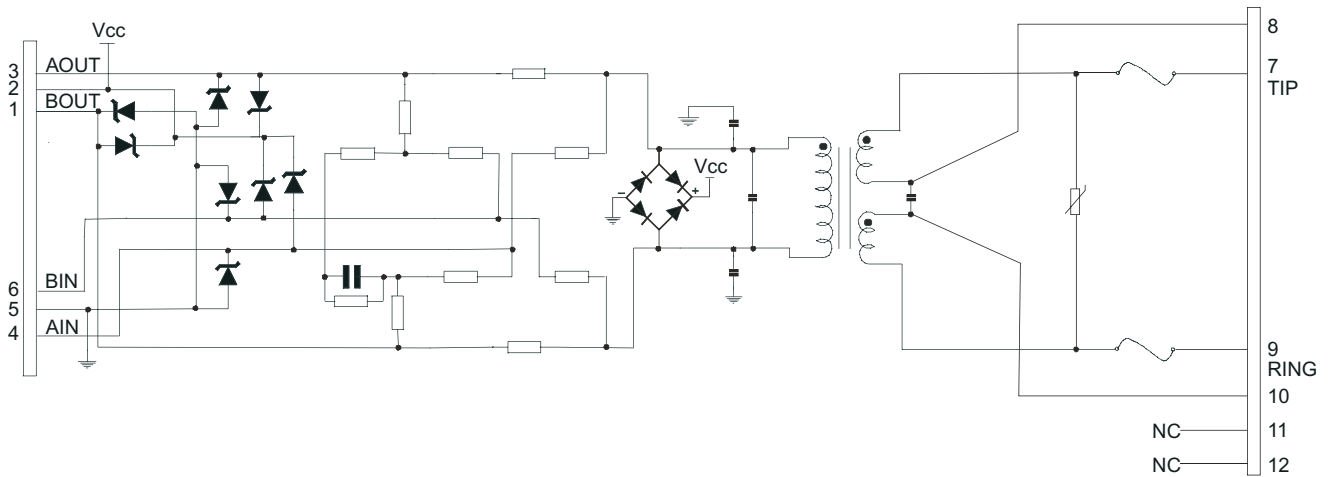
APC13115

**ELECTRICAL SPECIFICATIONS @ 25°C**  
**OPERATING TEMPERATURE -40°C TO +85°C**  
**STORAGE TEMPERATURE -40°C TO +85°C**

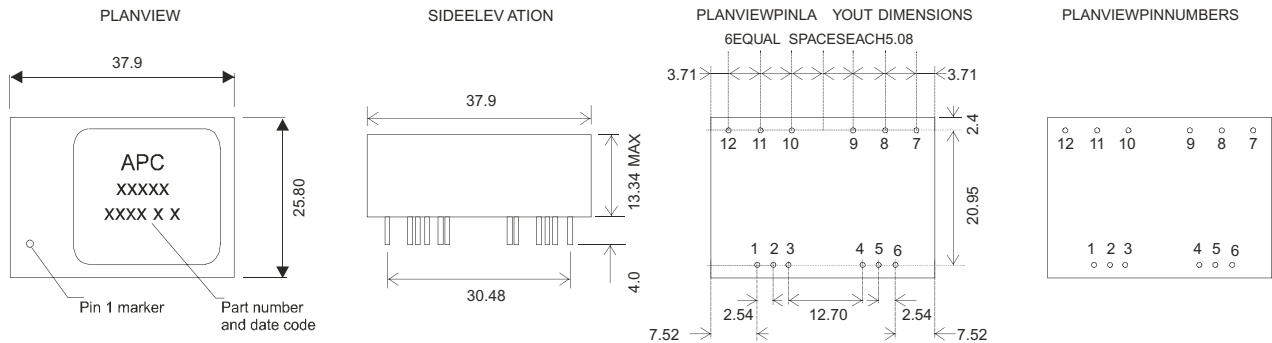
Turns Ratio PRI:SEC +/- 5%	Primary Inductance mH min	Leakage Inductance uH max	Primary DCR OHMS max	Secondary DCR OHMS max	Capacitance pF max	Isolation Voltage PRI:SEC Vrms
1.6:1	14.5	90	7	4.5	70	1500

NOTES: DESIGNED FOR SIEMENS U INTERFACE PEB2091 TRANSCEIVER IC. DESIGNED TO MEET WITH ANSI TEST LOOPS 1 - 15  
 UL CERTIFIED TO UL1459 THIRD EDITION AND UL 1950 SECOND EDITION WITH D3 DEVIATIONS  
 UL FILE NUMBER E175058

## SCHEMATIC



## MECHANICAL



NOTES: NOT TO SCALE  
 TOLERANCE +/- 0.2MM  
 ALL DIMENSIONS IN MM  
 PIN DIAMETER 0.75MM MAX  
 DOT ON TOP SURFACE INDICATES PIN 1