

TVGA9000 DATA SHEET

TVGA9000 LOW COST VGA CONTROLLER

Overview

- Single-chip solution for IBM PC/AT, PS/2 and compatibles
- Fully hardware compatible with VGA, EGA, CGA, MDA, and Hercules at the register level
- Requires only two 256Kx4 DRAM chips for VGA solution
- Supports 640x400, 640x480, 800x600 in 256 colors
- Supports 800x600, 1024x768 (interlaced or non-interlaced), and 768x1024 in 16 colors
- Supports 132-column text in 25, 30, 43, or 60 rows
- Supports Edsun CEG™ (Continuous Edge Graphics) DAC
- Supports plasma display
- Built-in data bus transceiver
- Built-in feature connector support
- Only one 32KB EPROM required to achieve 16-bit BIOS operation
- Minimum chip count offers low-cost VGA board level solution (besides DRAM only one EPROM, DAC and clockchip required)
- High-resolution drivers available
- 160 pin, PFP package

General Description

The TRIDENT TVGA9000 is a versatile and full-featured single-chip solution for low cost VGA systems. The TVGA9000 provides register-level compatibility, enhanced graphics and text modes, support for 256Kx4 DRAM, plasma display control, and support for analog VGA, EGA, CGA, and MDA monitors. Register-level compatibility insures compatibility with standard IBM VGA modes and backward compatibility with EGA, CGA, MDA, and Hercules modes. The enhanced graphics modes provide high-resolution displays in 4, 16, and 256 colors. A built-in data bus transceiver and built-in feature connector support save board space and provide cost savings. The TVGA9000 supports both the PC/AT bus and the PS/2 Micro Channel bus.

Software drivers are available to support: AutoCAD, Autoshade, CADkey, Framework, Gem, Lotus, MS Windows, MS Word, P-CAD, Symphony, Ventura, VersaCAD, WordPerfect, Wordstar, OS/2, SCO X-Windows (contact SCO), 8514/ AI emulation, and the VESA BIOS extension.

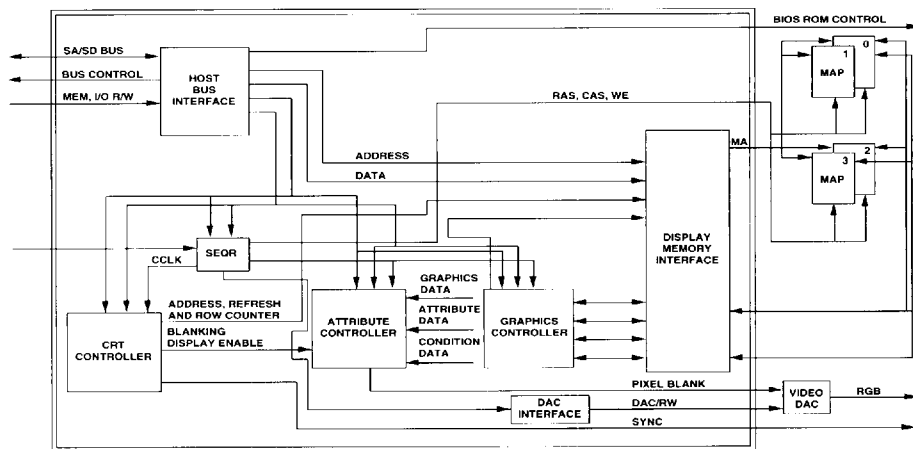


Figure 1. TVGA 9000 Functional Block Diagram



T V G A 9 0 0 0 D A T A S H E E T

Compatibility

The TVGA9000 is fully compatible with all standard IBM VGA modes and EGA, CGA, MDA, and Hercules modes, and allows:

- Use of application software that uses any of the above modes
- Emulation of EGA, CGA, MDA, and Hercules modes on a VGA monitor

Extended Graphics and Text Modes

Extended graphics modes supported include:

- 640x400, 640x480 and 800x600 in 256 colors from a palette of 262,144 colors (with 6-bit RAMDAC) or 16 million (with 8-bit RAMDAC)
- 800x600 and 1024x768 (interlaced or non-interlaced) in 16 colors from a palette of 256K/16M
- 1024x768 in 4 colors from a palette of 256K/16M
- Extended text modes offer 132-column text with 25, 30, 43, and 60 rows

Table 1 outlines the amount and speed of Fast Page Mode 256Kx4 DRAM required to implement the 4-, 16-, and 256-color modes.

Hardware Features

The TVGA9000 offers the following special hardware features:

- Source address register to speed memory read/write operations
- Optimized READY Line to speed CPU access
- All TTL included on-board chip
- 16-bit BIOS operation with only one 32KB EPROM

Table 1. 4, 16, and 256-Color DRAM Requirements

Resolution	Colors			DRAM Count		Speed ns
	4	16	256	2	4	100 80
Standard VGA		•		•		•
640x480 (Non-interlaced)			•		•	•
800x600 (Non-interlaced)		•		•		•
800x600 (Interlaced)			•		•	•
800x600 (Non-interlaced)			•		•	•
1024x768 (Interlaced)	•			•		•
1024x768 (Non-interlaced)	•			•		•
1024x768 (Interlaced)		•			•	•
1024x768 (Non-interlaced)		•			•	•

Software Drivers Supported

Extended graphics and text modes are supported by software application drivers developed by Trident. The following applications are supported:

- AutoCAD
- Autosshade
- CADKEY
- Framework
- GEM
- Lotus
- MS Windows
- MS Word
- P-CAD
- Symphony
- Ventura
- VersaCAD
- WordPerfect
- Wordstar
- OS/2
- SCO X-Windows (call SCO)
- Quattro Pro
- Edsun CEG™ (Windows, AutoCAD, Lotus)

Contact Trident for the latest high-resolution driver releases.

TVGA9000 Applications

The TVGA9000 works with your hardware to let you develop a cost efficient, high performance system. You can use the Trident TCK9002 clock chip to select up to 16 different clock frequencies. Such frequency



selection ability allows you to implement specific applications such as support for high-resolution analog VGA monitors, fixed-frequency VGA monitors, and EGA, CGA, MDA, and Hercules monitors. The TVGA9000 allows you to divide clock input frequencies by one and one half, two, or four. Four chips signals (SC1, SC2, SC3, and FOUT0) can be programmed to select specific clock inputs for the TVGA9000.

A minimum 256K DRAM configuration requires a TVGA9000, Trident Clock Chip, 32KB EPROM, 6-bit RAMDAC, 15-pin connector, jumpers, and miscellaneous ferrite beads, capacitors, resistors.

TVGA9000 Components

The TVGA9000 consists of seven major components: Sequencer, CRT Controller, Graphics Controller, Attribute Controller, DAC Support Logic, Host Bus Interface, and Display Memory Bus Interface. These components are used to generate video output and timing for video memory and the monitor. See Figure 1 on front cover for the TVGA9000 Functional Block Diagram.

Sequencer

The sequencer provides basic memory timing for DRAM interfacing, and a character clock for the CRT controller and for controlling regenerative memory fetch. The sequencer uses a 32 byte video cache to let the CPU access display memory during active display intervals. Video data from the cache can be output to the video screen while the CPU accesses the video memory. This greatly increases performance over standard CPU access implementations.

CRT Controller

The CRT (Cathode Ray Tube) Controller provides complete control for horizontal and vertical synchronous timing, address interface between video memory and display screen, cursor and underline timing, and refresh addressing for dynamic RAMs.

Graphics Controller

During the active display interval, the Graphics Controller directs data from video memory to the Attribute Controller. In graphics modes, memory data is formatted into serialized form and sent to the Attribute Controller in 4-bit plane format. In text mode, the parallel attribute byte goes directly to the Attribute Controller without going through the Graphics Controller. During video memory read/write operations, the Graphics Controller acts as an interface to the CPU. The Graphics Controller can perform logic operations on memory data before it reaches the display memory or system data bus.

Attribute Controller

The Attribute Controller takes in data from video memory and formats it for output on the display monitor. In addition, the Attribute Controller takes care of blinking, underlining, cursor insertion, and PEL panning. In text mode, 16 bits of code are divided into 8 bits of character code and 8 bits of attribute code. The character code is used as a look-up into a font table. The attribute code is used to determine character color, blinking, bold, etc. In graphics mode, the Graphics Controller serializes memory bits. Each output color is translated through the internal color palettes and then sent to the Video DAC. Here it is used as an address into the 18/24-bit color look-up table. The value read from the color look-up table is converted into three analog signals (R, G, B) for driving an analog display.

DAC Support Logic

To simplify the chip hardware design, the TVGA9000 provides a pixel clock and DAC write, DAC read, and blank signals to an off-chip color look-up table/DAC. Both 8- and 6-bit DACs can be supported from one of the TVGA 9000's programmable outputs. The Edsun Laboratories Anti-Aliasing CEG™ DAC is supported with special Trident Drivers.



T V G A 9 0 0 0 D A T A S H E E T

Host Bus Interface

The TVGA9000 supports the PC/AT bus and the Micro Channel bus respectively by setting or resetting the configuration bits during the system reset time. Four pins are defined as MEMR, MEMW, SIOR, and SIOW when the TVGA9000 is configured to the PC/AT mode (see Figure 2, page 6). These same four pins can be defined as M/I/O, S0, S1, and CMD when the TVGA9000 is part of a Micro Channel board solution (see Figure 3).

The BIOS PROM data width can be configured as 16-bit or 8-bit at system reset time by pulling MD7 high or low, respectively. If the 16-bit mode is turned on, the TVGA9000 will return MCS16 when the PROM is addressed. If the on-board BIOS is not used, the PROM chip(s) can be disabled by pulling MD6 low at system reset time. The TVGA9000 supports a 32KB BIOS, which is located at address hex C0000 to C7FFF. For additional system reset configuration definitions, see "Definitions of MD7-MD0 and RMD7-RMD0 at System Reset" section on this page.

The TVGA9000 can address up to 512KB of video memory depending on the mode (text or graphics). The 16-bit-wide data bus can be activated automatically by BIOS. The TVGA9000 will drive MCS16 when the 16-bit mode is set and video memory is accessed. In order to comply with the Micro Channel specifications, the TVGA9000 supports channel ID (I/O address 100 and 101) as well as the card-enable control bit (bit 0 of I/O port 102). When the video memory or on-board I/O registers are accessed, the TVGA9000 responds with CDSFBK. CDSFBK is generated by decoding the following groups of addresses together with a read/write command:

I/O Read/Write:

- 3BX - excluding 3B6, 3B7, 3BC, 3BD, and 3BE. For monochrome mode only.
- 3DX - excluding 3D6, 3D7, 3DE, and 3DF. For color mode only.
- 3CX - excluding 3CA, 3CB, and 3CD.

Memory Read/Write:

- ROMCS - on-board BIOS EPROM address from C0000 to C7FFF.
- MEMR/W - default display memory address space.

Since there is only the decoding delay for generation of CDSFBK, the signal will look very much like that of a system read/write command. Signal CDSFBK is open-drain output.

Display Memory Bus Interface

The TVGA9000 provides a bus interface for the video display DRAM. The interface provides address multiplexing, data multiplexing, refresh, and RAS, CAS, and write-enable signals. Eighteen address pins (MAA8-MAA0 for Bank A and MAB8-MAB0 for Bank B) and 32 data pins (MD31-MD0) are available for display memory.

Definitions of MD7-MD0 & RMD7-RMD0 at System Reset

Tables 2 and 3 list the values and definitions for MD7-MD0 and RMD7-RMD0, respectively, at system reset.

Table 2. MD7-MD0 Definitions

MD	Logic Value*	Definition
MD7	0	8-bit BIOS
	1	16-bit BIOS
MD6	0	ROM disable
	1	ROM enable
MD5	0	I/O port at 2xx
	1	I/O port at 3xx
MD4	0	MCA bus
	1	PC bus
MD3-MD0	**	Ext. switch settings

* Set a Logical 1 value by pulling-up to Vcc through a 4.7K-10K resistor. Set a Logical 0 value by pulling-down to GND through a 4.7K-10K resistor.

** Data is read into a 4-bit register. The data values can be used by the BIOS or application software.



Table 3. RMD7-RMD0 Definitions

RMD	Logic Value *	Definition
RMD7	0	8-bit video memory
	1	16-bit video memory
RMD6	0	One BIOS I/O wait state
	1	Two BIOS I/O wait states
RMD5	0	245Kx4 memory (4 chips)
	1	256Kx4 memory (2 chips)
RMD4	0	Selects 46E8 for port control
	1	Selects 3C3 for port control
RMD3	0	24K BIOS
	1	32K BIOS
RMD2	0	Selects test mode
	1	Normal operation
RMD1	0	Enables BIOS wait state control
	1	Disable BIOS wait state control
RMD0	0	Uses SA lines to decode $\overline{\text{MCS16}}$
	1	Uses LSA19-17 to decode $\overline{\text{MCS16}}$

* Set a Logical 1 value by pulling-up to Vcc through a 4.7K-10K resistor.
Set a Logical 0 value by pulling-down to GND through a 4.7K-10K resistor.

Chip Specifications

Table 4. Absolute Maximum Ratings

Parameter	Symbol	Minimum	Typ.	Maximum	Units
Power Supply Voltage	V_{DD}	4.75	5.0	5.25	V
Input Voltage	V_{IN}	GND		V_{DD}	V
Pin Voltage with respect to GND	V_{PIN}	-0.5		$V_{DD} + 0.5$	V
Operating Temperature	T_{OP}	0		70	°C
Storage Temperature	T_{STO}	-40		100	°C

Stresses above those listed under ABSOLUTE MAXIMUM RATINGS may cause permanent device failure. Functionality at or above these limits is not implied. Exposure to absolute maximum ratings for extended periods may effect device reliability.



Table 5. DC Specifications

Parameter	Symbol	Minimum	Maximum	Units	Conditions
Input Low Voltage	V_{IL}	GND	0.8	V	$V_{DD}=5V$
Input High Voltage	V_{IH}	2.0	V_{DD}	V	$V_{DD}=5V$
Input Low Current	I_{IL}	-	-0.5	μA	$V_{IN}=0.0V$
Input High Current	I_{IH}	-	20	μA	$V_{IN}=V_{DD}$
Output Low Voltage	V_{OL}	-	0.4	V	$I_{OL}=6.0mA$ (9mA for MCS16 and READY)
Output High Voltage	V_{OH}	2.4	-	V	$I_{OH}=6.0mA$ (9 mA for MCS16 and READY)
High Impedance Leakage	I_{OZ}	-	10.0	μA	$V_{SS}<V_{OUT}<V_{DD}$
Supply Current	I_{OC}	-	70.0	mA	$V_{DD}=5.25V$ (V_{DD} MAX.)

Table 6. AC Specifications In Nanoseconds (Parameters illustrated in Figures 2 and 3)

SYM	Description				Min	Typ	Max
T1a	$\overline{MCS16}$	active from latched	ADDRESS ¹	valid	10	10	15
T1b	$\overline{MCS16}$	active from unlatched	ADDRESS ²	valid	10	10	15
T2	ALE	active from unlatched	ADDRESS	valid	0	5	10
T3	ALE	pulse width	NA	NA	5	10	15
T4	DATA	read time from	$\overline{COMMAND}$	active	45	50	65
T5	DATA	hold time to	$\overline{COMMAND}$	inact.	10	15	20
T6	READY	inactive from	$\overline{COMMAND}$	active	10	15	20
T7	$\overline{MCS16}$	hold time to	$\overline{COMMAND}$	inact.	20	25	30
T8	READY	hold time before	$\overline{COMMAND}$	inact.	60	120	180
T9	$\overline{MCS16}$	active (low)	from ADDRESS	active	10	15	20
T10	\overline{CDSFBK}	active (low)	from ADDRESS	active	10	15	20
T11	READY	inactive (low)	from status	active	15	20	25
T12	DATA	read time	from READY	active	40	50	60

¹Slow mode. ²Fast mode.

TVGA9000 DATA SHEET

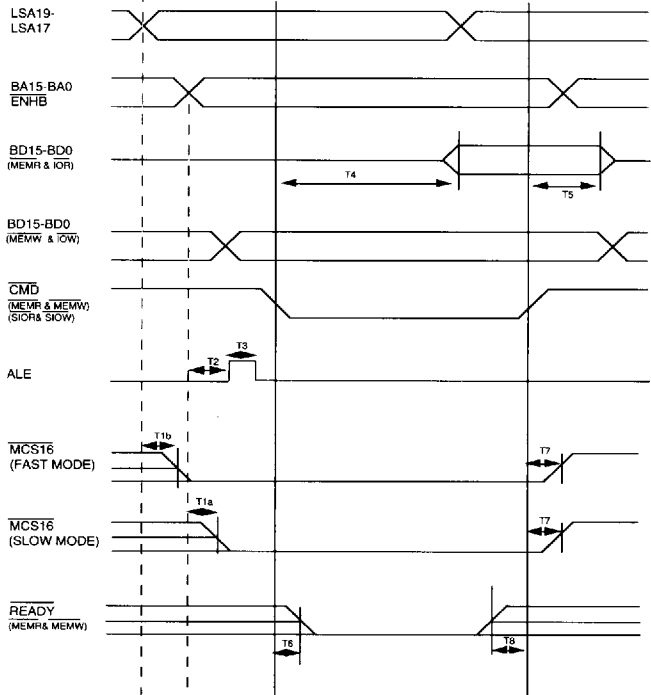


Figure 2. PC/AT Bus Timing

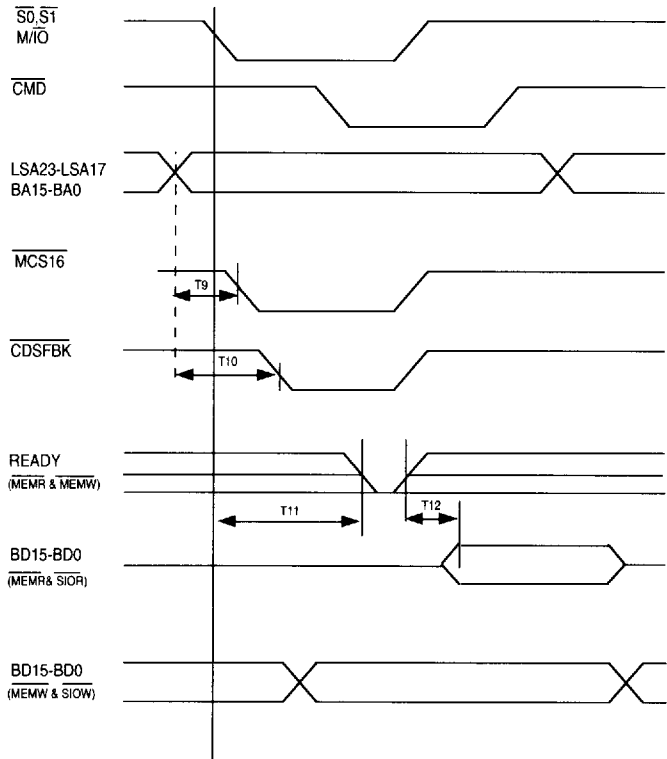


Figure 3. Micro Channel Bus Timing



T V G A 9 0 0 0 D A T A S H E E T

Table 7. Vertical and Horizontal Timing

Mode	CLK (MHz)	Type	Display	Max Colors	VERTICAL TIMING (ms)						Polarity	HORIZONTAL TIMING (µs)					
					T1	T2	T3	T4	T5	T6		T7	T8	T9	T10	T11	Polarity
0,1	25.2	A/N	40x25	16	1.577	12.711	0.413	14.268	0.064	+	6.356	25.422	0.636	1.907	3.813	31.778	-
2,3	25.2	A/N	80x25	16	1.577	12.711	0.413	14.268	0.064	+	6.356	25.422	0.636	1.907	3.813	31.778	-
0*,1*	25.2	A/N	40x25	16	3.146	11.122	1.208	14.268	0.064	-	6.356	25.422	0.636	1.907	3.813	31.778	+
2*,3*	25.2	A/N	80x25	16	3.146	11.122	1.208	14.268	0.064	-	6.356	25.422	0.636	1.907	3.813	31.778	+
0+,1+	28.3	A/N	40x25	16	1.577	12.711	0.413	14.268	0.064	+	6.356	25.422	0.636	1.907	3.813	31.778	-
2+,3+	28.3	A/N	80x25	16	1.577	12.711	0.413	14.268	0.064	+	6.356	25.422	0.636	1.907	3.813	31.778	-
4,5	25.2	APA	320x200	4	1.577	12.711	0.413	14.268	0.064	+	6.356	25.422	0.636	1.907	3.813	31.778	-
6	25.2	APA	640x200	2	1.577	12.711	0.413	14.268	0.064	+	6.356	25.422	0.636	1.907	3.813	31.778	-
7	28.3	A/N	80x25	Mono	3.146	11.122	1.208	14.268	0.064	+	6.356	25.422	0.636	1.907	3.813	31.778	+
7+	28.3	A/N	80x25	Mono	1.577	12.711	0.413	14.268	0.064	+	6.356	25.422	0.636	1.907	3.813	31.778	+
D	25.2	APA	320x200	16	1.577	12.711	0.413	14.268	0.064	+	6.356	25.422	0.636	1.907	3.813	31.778	-
E	25.2	APA	640x200	16	1.577	12.711	0.413	14.268	0.064	+	6.356	25.422	0.636	1.907	3.813	31.778	-
F	25.2	APA	640x350	Mono	3.146	11.122	1.208	14.268	0.064	-	6.356	25.422	0.636	1.907	3.813	31.778	+
10	25.2	APA	640x350	16	3.146	11.122	1.208	14.268	0.064	-	6.356	25.422	0.636	1.907	3.813	31.778	+
11	25.2	APA	640x480	2	1.430	15.253	0.350	16.683	0.064	-	6.356	25.422	0.636	1.907	3.813	31.778	-
12	25.2	APA	640x480	16	1.430	15.253	0.350	16.683	0.064	-	6.356	25.422	0.636	1.907	3.813	31.778	-
13	25.2	APA	320x200	256	1.577	12.711	0.413	14.268	0.064	+	6.356	25.422	0.477	2.066	3.813	31.778	-
50	25.2	A/N	80x30	16	1.430	15.253	0.350	16.683	0.064	-	6.356	25.422	0.636	1.907	3.813	31.778	-
51	25.2	A/N	80x43	16	1.652	15.031	0.540	16.683	0.064	-	6.356	25.422	0.636	1.907	3.813	31.778	-
52	25.2	A/N	80x60	16	1.430	15.253	0.350	16.683	0.064	-	6.356	25.422	0.636	1.907	3.813	31.778	-
53	40.0	A/N	132x25	16	3.168	11.200	1.248	14.368	0.064	-	5.600	26.400	0.000	1.800	3.800	32.000	+
54	40.0	A/N	132x30	16	1.376	15.360	0.352	16.736	0.064	-	5.600	26.400	0.000	1.800	3.800	32.000	-
55	40.0	A/N	132x43	16	1.600	15.136	0.576	16.736	0.064	-	5.600	26.400	0.000	1.800	3.800	32.000	-
56	40.0	A/N	132x60	16	1.376	15.360	0.352	16.736	0.064	-	5.600	26.400	0.000	1.800	3.800	32.000	-
57	44.9	A/N	132x25	16	3.079	11.225	1.219	14.304	0.064	-	5.612	26.459	-0.200	1.804	4.009	32.071	+
58	44.9	A/N	132x30	16	1.315	15.394	0.321	16.709	0.064	-	5.612	26.459	-0.200	1.804	4.009	32.071	-
59	44.9	A/N	132x43	16	1.539	15.170	0.417	16.709	0.064	-	5.612	26.459	-0.200	1.804	4.009	32.071	-
5A	44.9	A/N	132x60	16	1.315	15.394	0.321	16.709	0.064	-	5.612	26.459	-0.200	1.804	4.009	32.071	-
5B	36.0	APA	800x600	16	0.711	17.067	0.028	17.715	0.057	-	6.222	22.222	0.667	3.500	2.028	28.660	-
5B'	50.35	APA	800x600	16	1.395	12.489	0.479	13.883	0.125	+	4.926	15.889	0.794	2.066	2.066	20.814	+
5C	50.35	APA	640x400	256	1.557	12.711	0.413	14.268	0.064	+	6.356	25.422	0.556	1.668	4.131	31.778	-
5D	50.35	APA	640x480	256	1.430	15.253	0.350	16.683	0.064	-	6.356	25.422	0.556	1.668	4.131	31.778	-
5E	57.3	APA	800x600 (I)	256	1.073	10.057	0.151	11.130	0.067	-	5.587	27.937	0.139	1.676	3.771	33.524	+
5E	72.0	APA	800x600 (NI)	256	0.711	17.067	0.028	17.778	0.057	-	6.222	22.222	0.667	3.500	2.028	28.660	-
5F	44.9	APA	1024x768 (I)	16	0.873	10.810	0.155	11.683	0.056	+	5.345	22.806	0.204	1.260	3.956	28.151	+
5F	65.0	APA	1024x768 (NI)	16	0.945	15.785	0.329	16.731	0.041	+	4.800	15.754	0.615	1.108	3.077	20.554	+
5F'	75.0	APA	1024x768	16	0.673	13.599	0.053	14.272	0.106	+	4.053	13.653	0.320	1.920	1.813	17.707	+
60	44.9	APA	1024x768(I)	4	0.873	10.810	0.155	11.683	0.056	+	5.345	22.806	0.336	1.038	2.494	28.151	+
61	44.9	APA	768x1024 (I)	16	0.791	13.501	0.119	14.292	0.040	+	9.265	17.105	-1.782	4.633	3.956	26.370	+

¹Based on VESA (Video Electronics Standards Association) proposed standards VS900502 and VS910801.

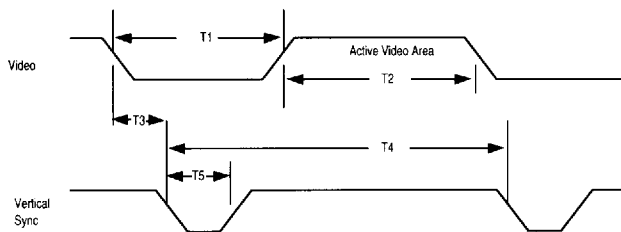


Figure 4-A. Vertical Timing (ms)

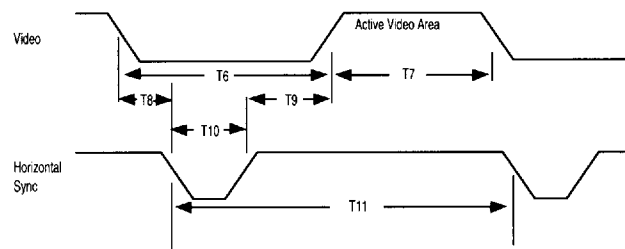
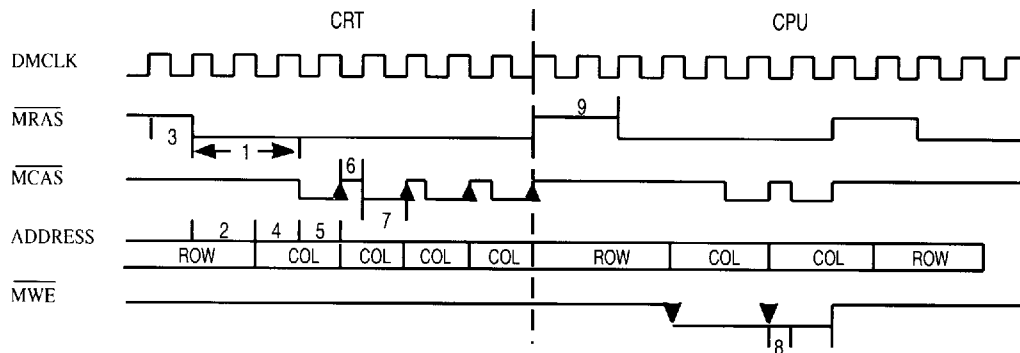


Figure 4-B. Horizontal Timing (µs)

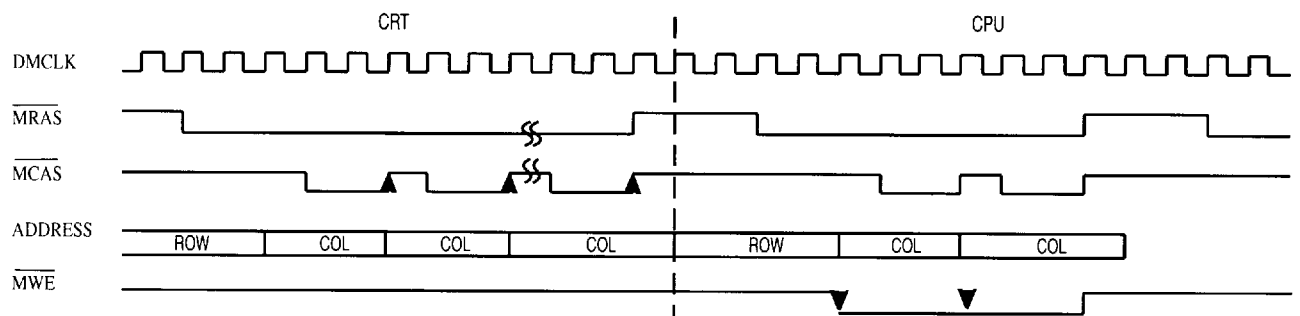
TVGA9000 DATA SHEET



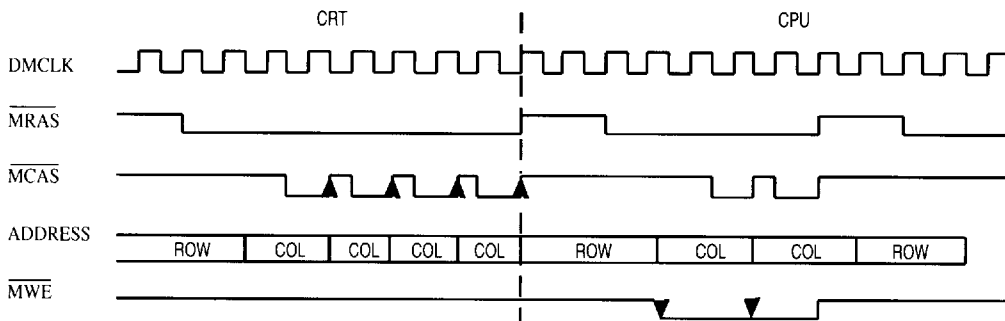
256Kx4 Graphics Mode (Two DRAM)



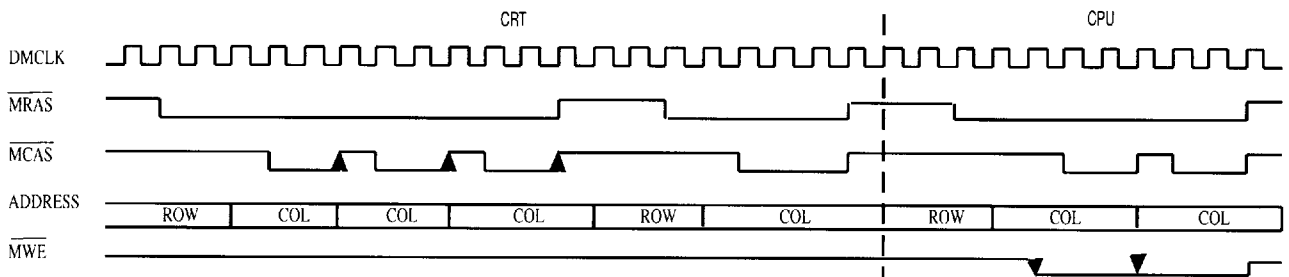
256Kx4 Graphics Mode (Four DRAM)



256Kx4 Text Mode (Two DRAM)



256Kx4 Text Mode (Four DRAM)



NOTES: *ROW refers to Row Address. *COL refers to Column Address. *Above DRAM timings represent worst case. *For each timing diagram, 1st cycle represents a memory read, 2nd cycle (NWE Active) represents a memory write. *▲ indicates when data is ready for a memory read. *▼ indicates when data is ready for a memory write.

Figure 5. Trident TVGA9000 DRAM Timing



TVGA9000 DATA SHEET

Table 8. Worst Case Memory Timing Parameters*

Parameter	2 DRAM	4 DRAM
Trcd 1	2.5t + 2	3t
Trah 2	1.5t + 3	2t
Tasr 3	≥ 0	≥ 0
Tasc 4	≥ t	≥ t
Tcah 5	t + 6	2t + 10
Tcp 6	0.5t + 2	t + 1
Tcas 7	t	2t
Tds 8	≥ 0	≥ 0
Trp 9	2t	3t + 10
Test Load	25pf	50pf

*(t=1/DMCLK if VCLK < 40MHz, or t=1/VCLK if VCLK ≥ 40MHz)

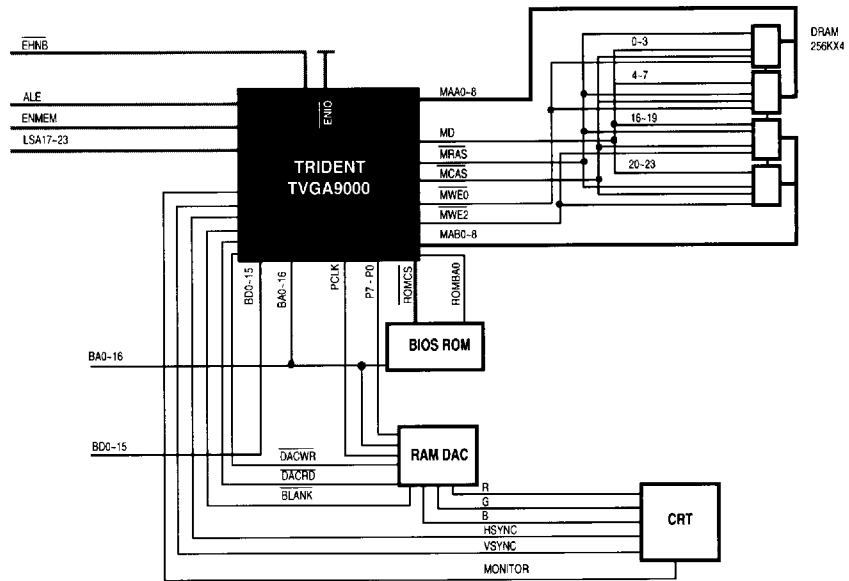


Figure 6-A.
Application For
Four 256Kx4 DRAM

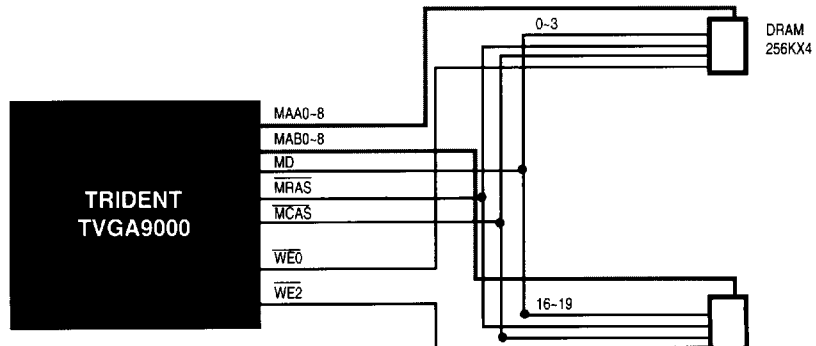


Figure 6-B.
Application For
Two 256Kx4 DRAM

TVGA9000 DATA SHEET

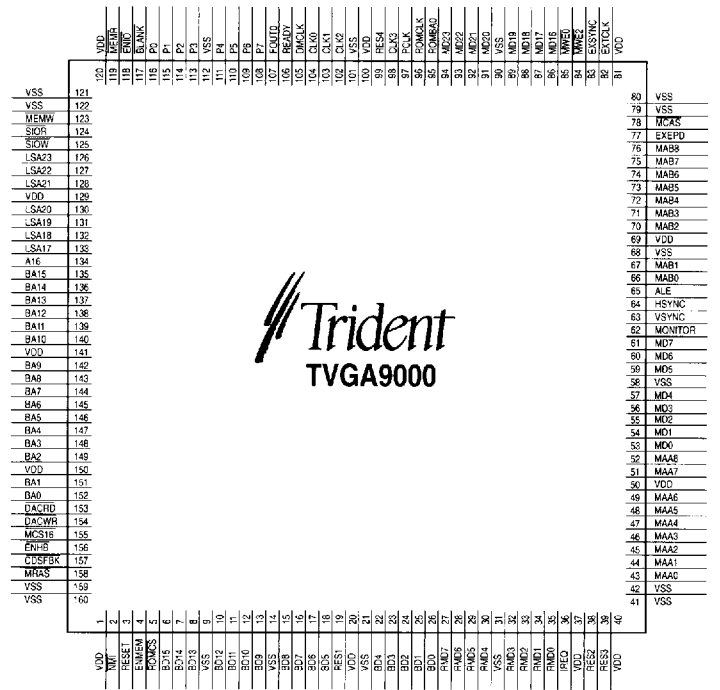


Figure 7. TVGA9000 Pin-Out

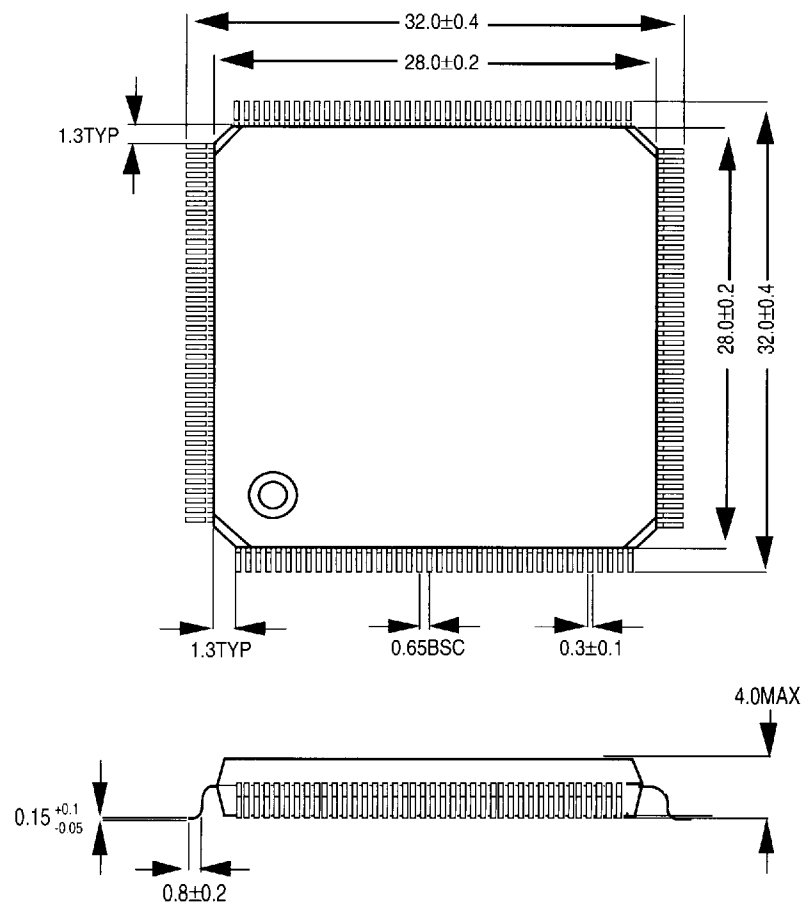


Figure 8. TVGA9000 Packaging PFP 160 Pins



T V G A 9 0 0 0 D A T A S H E E T

Table 9. TVGA9000 Pin Description

Pin	Pin Type	Pin Number	Description
RESET	I	3	System reset (active high); the falling edge latches configuration information into internal registers from memory data lines and AD7-AD0
CLK0	I	104	Video clock input
CLK1/SC3	I/O	103	Video clock input/Clock select output 1
CLK2/SC1	I/O	102	Video clock input/Clock select output 2
CLK3/SC2	I/O	98	Video clock input/Clock select output 3
DMCLK	I	105	DRAM clock
$\overline{\text{CDSFBK}}$	O	157	Card select feedback, open drain output
ENHB	I	156	Bus high-byte enable
ENIO ²	I	118	Enable on-board IO
ENMEM	I	4	Enable display memory
LSA23-LSA17	I	126-128, 130-133	Unlatched address bus, bit 23 to bit 17
BD15-BD8	I/O	6-8, 10-13, 15	Data bus (high byte), bit 15 to bit 8
BD7-BD0	I/O	16-18, 22-26	Data bus (low byte), bit 7 to bit 0
RMD7-RMD0	I/O	27-30, 32-35	ROM/DAC data bus, bit 7 to bit 0
BA16-BA10	I/O	134-140	Address Bus
BA9-BA0	I/O	142-152	Address Bus
MEMR ¹	I	119	Memory read strobe
MEMW ¹	I	123	Memory write strobe
$\overline{\text{SIOR}}^1$	I	124	I/O read strobe
$\overline{\text{SIOW}}^1$	I	125	I/O write strobe
MC516	O	155	Enable 16-bit transfer, open drain output
MD7-MD0	I/O	61-59, 57-53	Memory data bus (bit 7 to bit 0)
MD23-MD15	I/O	94-91, 89-86	Memory data bus (bit 23 to bit 15)
$\overline{\text{MRAS}}$	O	158	Row address strobe
$\overline{\text{MCAS}}$	O	78	Column address strobe
$\overline{\text{MWE0}}$	O	85	Write enable
$\overline{\text{MWE2}}$	O	84	Write enable
MAA8-MAA0	O	52-51, 49-43	Multiplexing address bus of display memory Bank A
MAB8-MAB0	O	76-70, 67-66	Multiplexed address bus of display memory Bank B
P7-P0	O	108-111, 113-116	Video DAC address, bit 7 to bit 0
PCLK	O	97	Pixel clock output
BLANK	O	117	BLANK output
HSYNC	O	64	Horizontal synchronization pulse, polarity programmable
VSYNC	O	63	Vertical synchronization pulse, polarity programmable
$\overline{\text{DACRD}}$	O	153	DAC read strobe
$\overline{\text{DACWR}}$	O	154	DAC write strobe
READY	O	106	I/O channel ready, open-drain output
IREQ	O	36	Interrupt request
$\overline{\text{ROMCS}}$	O	5	BIOS EPROM chip select
ROMBA0	O	95	BIOS EPROM address bit 0
FOUT0	O	107	Programmable output 0
MONITOR	I	62	Monitor type detect (analog monitors)
$\overline{\text{NMI}}$	O	2	Non-maskable interrupt, open-drain output
EXENPD	I	77	External pixel data enable (feature connector)
EXTCLK	I	82	External clock enable (feature connector)
EXSYNC	I	83	External sync enable (feature connector)
ALE	I	65	System address latch enable
ROMCLK	I	96	ROM wait state clock
RES4-RES1	NA	99, 39, 38, 19	Reserved pins
VSS	GND	9, 14, 21, 31, 41, 42, 58, 68, 79, 80, 90, 101, 112, 121, 122, 159, 160	Ground
VDD	PWR	1, 20, 37, 40, 50, 69, 81, 100, 120, 129, 141, 150	+5VDC

¹In Micro Channel Architecture, these four pins are defined as system signals M/IO, S0, S1, and CMD.

²In Micro Channel Architecture, this pin is defined as CDSTP. Definition - 1: normal 0: setup

The information in this document is subject to change in order to improve reliability, design, or function without prior notice and does not represent a commitment on the part of Trident Microsystems, Inc.

In no event will Trident be liable for direct, indirect, special, incidental, or consequential damages arising out of the use or the inability to use the product or documentation, even if advised of the possibility of such damages.

No part of this data sheet may be reproduced or transmitted in any form or by any means without the prior written permission of Trident Microsystems, Inc.

IBM is a registered trademark of International Business Machine Corp. Hercules is a registered trademark of Hercules Computer Technology, Inc.

© 1992 Trident Microsystems, Inc.
January 1992