

## R2860A Digital Receiver OC-192/STM-64

---



### Features

- High sensitivity,  $-20$  dBm typical
- Wide dynamic range, 2 dBm overload typical
- High transimpedance, 1200  $\Omega$  typical
- Hermetically sealed
- Qualified in accordance with *Telcordia Technologies*<sup>TM</sup> TR-NWT-000468 requirement

### Applications

- 10 Gbits/s short, intermediate, and long-haul systems
- SONET/SDH equipment
- Datacom equipment

### Description

The R2860A receiver module incorporates a high-speed planar PIN diode and a GaAs PHEMT preamplifier to provide exceptionally high performance. The unit provides high bandwidth and sensitivity to operate with long, dispersive fibers, plus wide dynamic range for operation over a variety of loss budgets. High transimpedance coupled with a nonquantizing limiting buffer output provides high gain while limiting the maximum output signal swing, thereby simplifying the interface to subsequent stages.

Agere Systems Inc. offers several 1R and 2R high-speed receiver components for 10 Gbits/s and 12.5 Gbits/s applications. APD and PIN versions are available in a 6-pin hermetic package with coaxial output. In addition, Agere Systems also offers a PIN receiver with coplanar waveguide in a multisource agreement form-factor or a smaller, space-sensitive package. For more information about the complete line of high-speed receiver products, please visit the Agere Systems' website at [www.agere.com/opto](http://www.agere.com/opto).

## Absolute Maximum Ratings

Stresses in excess of the absolute maximum ratings can cause permanent damage to the device. These are absolute stress ratings only. Functional operation of the device is not implied at these or any other conditions in excess of those given in the operational sections of the data sheet. Exposure to absolute maximum ratings for extended periods can adversely affect device reliability.

Parameter	Symbol	Min	Max	Unit
Operating Temperature Range	TOP	-5	70	°C
Storage Case Temperature Range	T <sub>stg</sub>	-40	85	°C
Preamplifier Supply Voltage	VCC	—	12	V
Photodiode Bias Voltage	VPD	—	20	V
Optical Input Power	PIN	—	4	dBm

## Electrical/Optical Characteristics

**Table 1. Electrical and Optical Characteristics** (25 °C Case Temperature)

Parameter	Symbol	Min	Typ	Max	Unit
Optical Wavelength Range	$\lambda$	1280	—	1580	nm
Sensitivity ( $10^{-10}$ BER, PRBS $2^{23} - 1$ )	—	—	-20	-18	dBm
Overload ( $10^{-13}$ BER, PRBS $2^{23} - 1$ )	—	0	2	—	dBm
Responsivity	R	0.7	0.8	—	A/W
Dark Current	I <sub>D</sub>	—	—	1	nA
High-Frequency Cutoff	—	8.0	9.0	—	GHz
Low-Frequency Cutoff	—	—	—	30	kHz
Transimpedance	Z	800	1200	—	$\Omega$
Maximum ac Output Voltage Swing	—	—	450	—	mVp-p
RF Output Return Loss* (0.1 GHz—10 GHz)	RLRF	—	—	10	dB
Optical Return Loss	RL	27	—	—	dB
Logic Sense	—	—	Noninverting	—	—
Preamplifier Supply Voltage	(VCC)	7.6	8.0	8.4	V
Photodiode Supply Voltage	VPD	7	8	12	V
Supply Current	I <sub>CC</sub>	—	80	120	mA

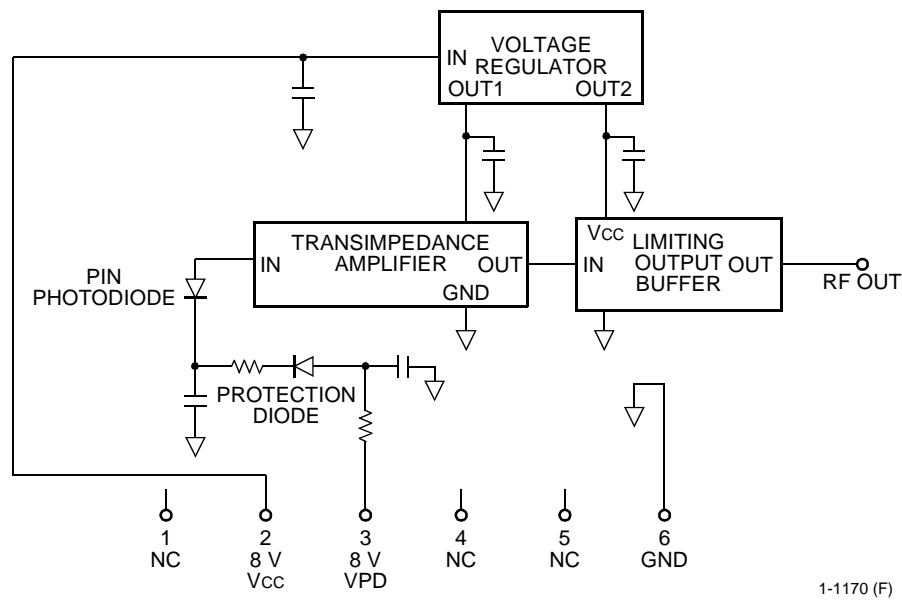
\* External blocking capacitor required.

## Pin Information

Table 2. Pin Descriptions

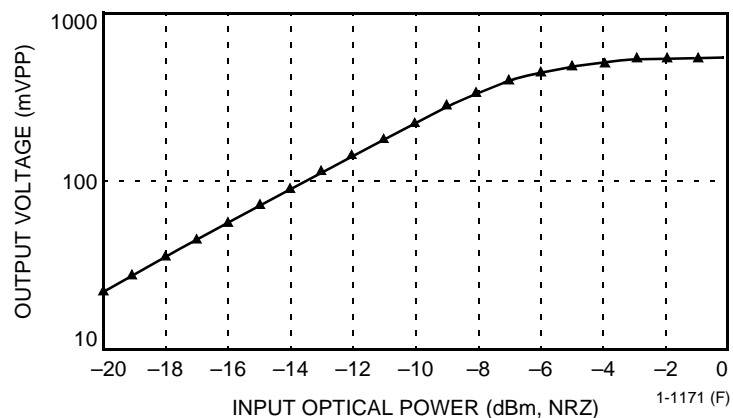
Pin No.	Description
1	NC
2	8 V (VCC)
3	8 V (VPD)
4	NC
5	NC
6	Ground

## Block Diagram



1-1170 (F)

## Characteristic Curve

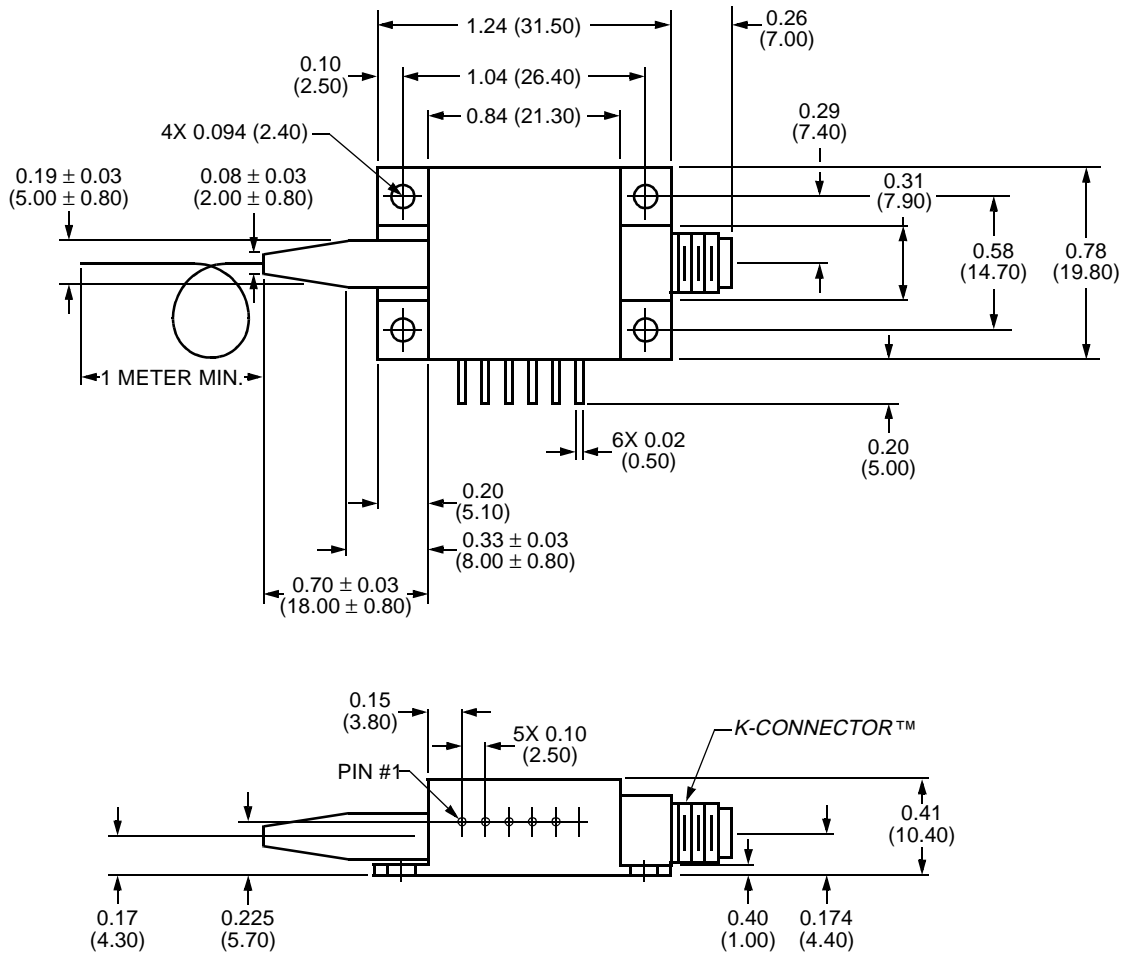


1-1171 (F)

Figure 1. R2860A Typical Electrical Output Voltage vs. Optical Input Power

### Outline Diagram

Dimensions are in inches and (millimeters).



1-1169 (F)

Note: External dc block required on RF output.

## Ordering Information

Table 3. Ordering Information<sup>1</sup>

Device Code	Description	Connector	Pigtail	Comcode
R2860A023	Digital Receiver, 800 $\Omega$ min. TIA gain, dc-coupled output	FC/SPC, Standard	SMF-28™ (1 m, min)	108870080
R2860A040	Digital Receiver, 800 $\Omega$ min. TIA gain, dc-coupled output	SC/UPC	SMF-28 (1 m, min)	108870098
R2860A050	Digital Receiver, 800 $\Omega$ min. TIA gain, dc-coupled output	LC	SMF-28 (1 m, min)	108870106

1. Other options available. For additional ordering information, please contact an account manager at Opto West, Agere Systems Inc., 1-800-362-3891 (for sales staff, please press option 2).

*Telcordia Technologies* is a trademark of Telcordia Technologies, Inc.  
*K-Connector* is a trademark of Anritsu Company.  
*SMF-28* is a trademark of Corning Incorporated.

---

For additional information, contact your Agere Systems Account Manager or the following:

INTERNET: <http://www.agere.com>

E-MAIL: [docmaster@agere.com](mailto:docmaster@agere.com)

N. AMERICA: Agere Systems Inc., 555 Union Boulevard, Room 30L-15P-BA, Allentown, PA 18109-3286

**1-800-372-2447**, FAX 610-712-4106 (In CANADA: **1-800-553-2448**, FAX 610-712-4106)

ASIA: Agere Systems Hong Kong Ltd., Suites 3201 & 3210-12, 32/F, Tower 2, The Gateway, Harbour City, Kowloon

**Tel. (852) 3129-2000**, FAX (852) 3129-2020

CHINA: **(86) 21-5047-1212** (Shanghai), **(86) 10-6522-5566** (Beijing), **(86) 755-695-7224** (Shenzhen)

JAPAN: **(81) 3-5421-1600** (Tokyo), KOREA: **(82) 2-767-1850** (Seoul), SINGAPORE: **(65) 778-8833**, TAIWAN: **(886) 2-2725-5858** (Taipei)

EUROPE: **Tel. (44) 7000 624624**, FAX (44) 1344 488 045

---

Agere Systems Inc. reserves the right to make changes to the product(s) or information contained herein without notice. No liability is assumed as a result of their use or application.