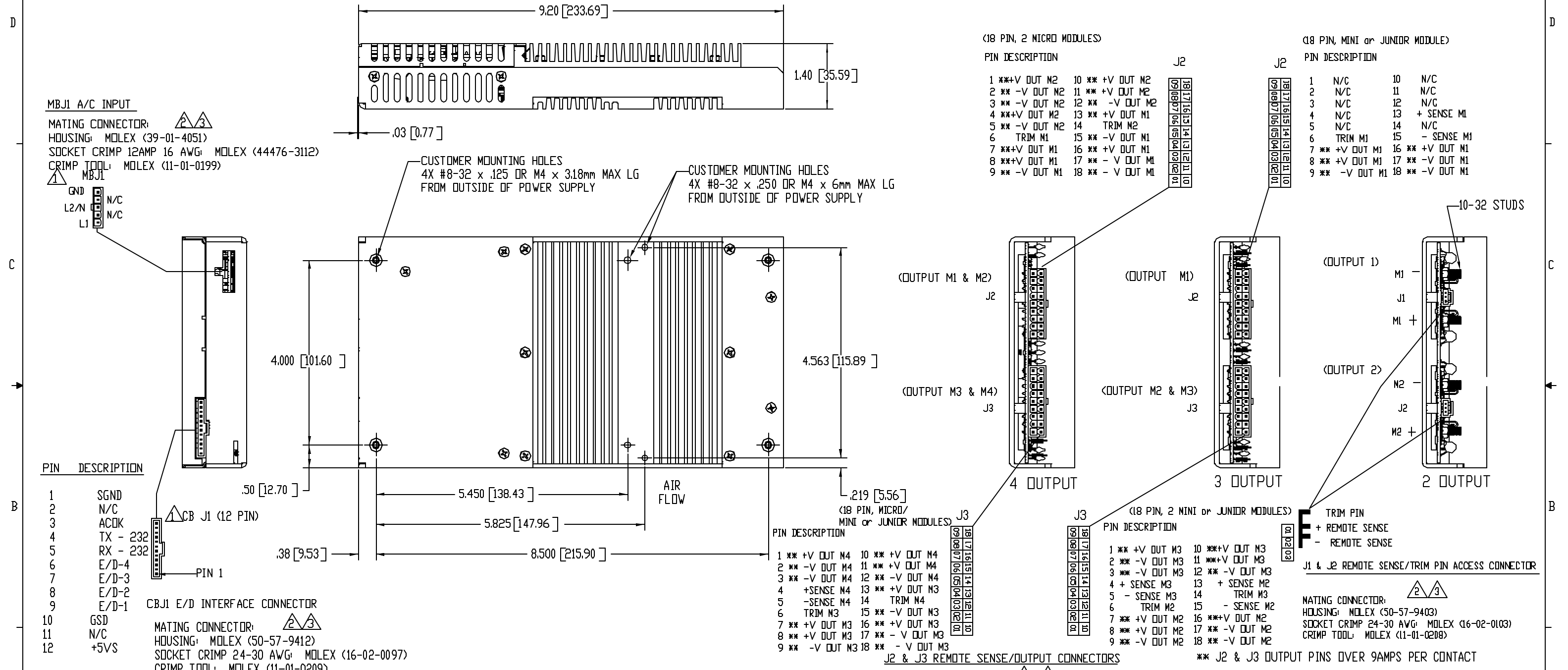


PROPRIETARY DATA:

This document and information contained may not be reproduced, used or disclosed without prior written permission of WESTCOR a division of VICOR Corporation.

NOTE: A DETAILED DESIGN GUIDE IS AVAILABLE @ www.vicorpower.com

REVISION HISTORY				
ECO	REV	DESCRIPTION	DATE	APPROVED
1208	A	BETA RELEASE	4/15/03	RME
1289	B	ADD HI POWER 12AMP 16AWG PINS AND KIT	7/21/03	LGK



NOTES: UNLESS OTHERWISE SPECIFIED

- REFERENCE DESIGNATION LEGEND:
 MB = MOTHER BOARD
 CB = CONTROL BOARD
- CONNECTOR PART NUMBERS SPECIFIED ARE MOLEX OR EQUIVALENT.
- A COMPLETE SET OF MATING CONNECTORS CAN BE PURCHASED FROM WESTCOR BY SPECIFYING CONNECTOR KIT P/N 19-130044. A KIT CONTAINING 40EA OF THE HI POWER 12 AMP 16 AWG CRIMP PINS IS P/N: 19-130050.

ITEM NO	PART OR IDENTIFYING NO	NOMENCLATURE OR DESCRIPTION	MATERIAL SPECIFICATION	QTY REQD
UNLESS OTHERWISE SPECIFIED DIMENSIONS ARE IN INCHES TOLERANCES ARE FRACTIONS DECIMALS ANGLES ± 1/32 .XX ± .01 ± 1/8 .XXX ± .005				
MATERIAL		THIRD ANGLE PROJECTION	APPROVALS	DATE
FINISH		DRAWN	3/1/02	
NEXT ASSY USED ON		CHECKED	05/19/03	
APPLICATION		DO NOT SCALE DRAWING	APPROVED	

WESTCOR a division of VICOR Corp.

OUTLINE DRAWING
 FLATPAC-EN

SIZE DWG. NO. 08-130140

SCALE NTS FILENAME: 08-130140 SHEET 1 OF 1