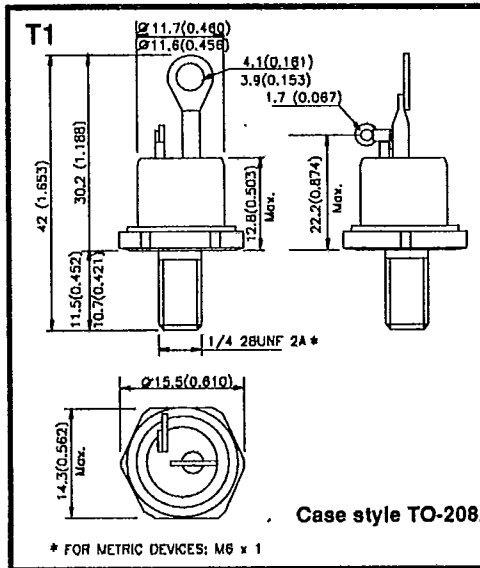




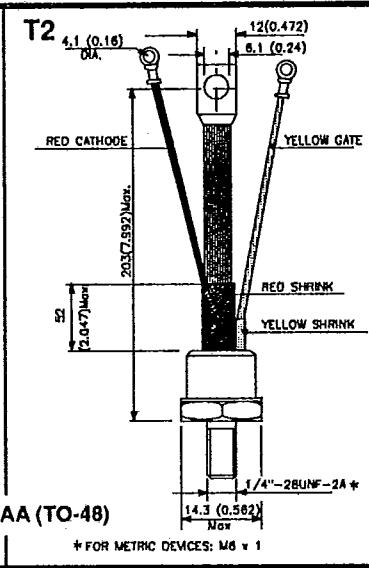
Case outlines

T-25-01



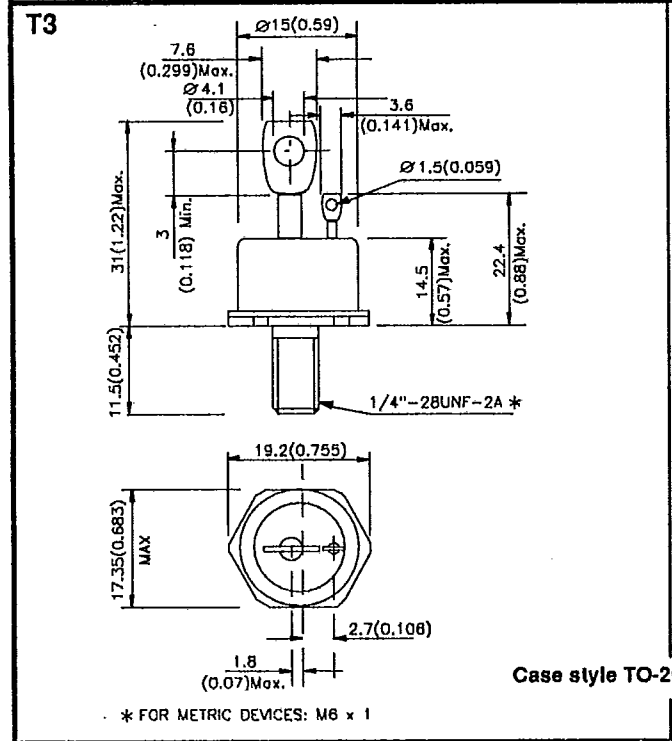
Case style TO-208AA (TO-48)

\* FOR METRIC DEVICES: M6 x 1



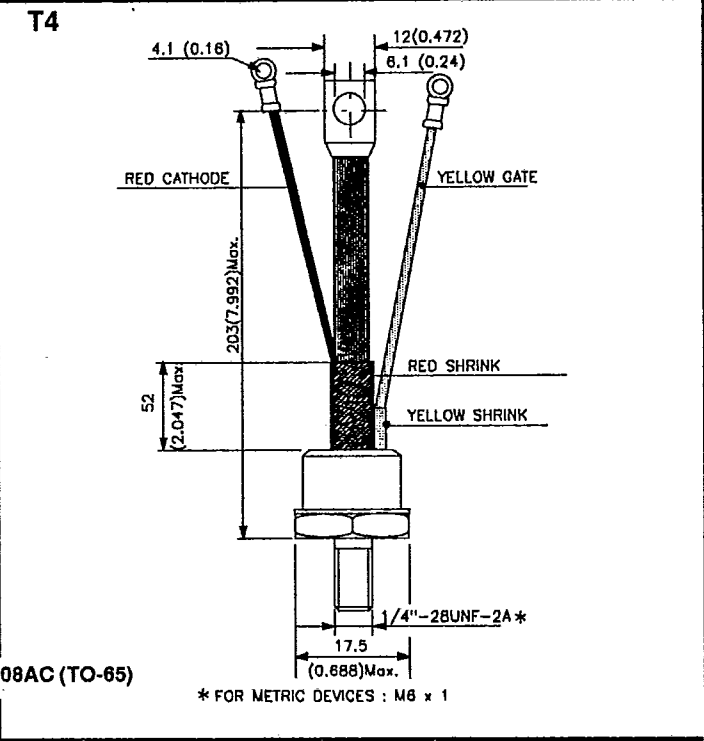
\* FOR METRIC DEVICES: M6 x 1

All dimensions in millimetres (inches).  
 Dimensions are nominal.  
 Full engineering drawings are available on request.

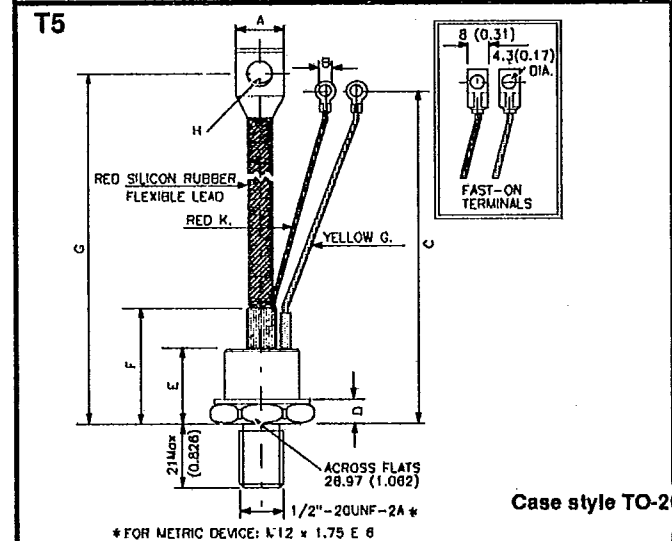


Case style TO-208AC (TO-65)

\* FOR METRIC DEVICES: M6 x 1

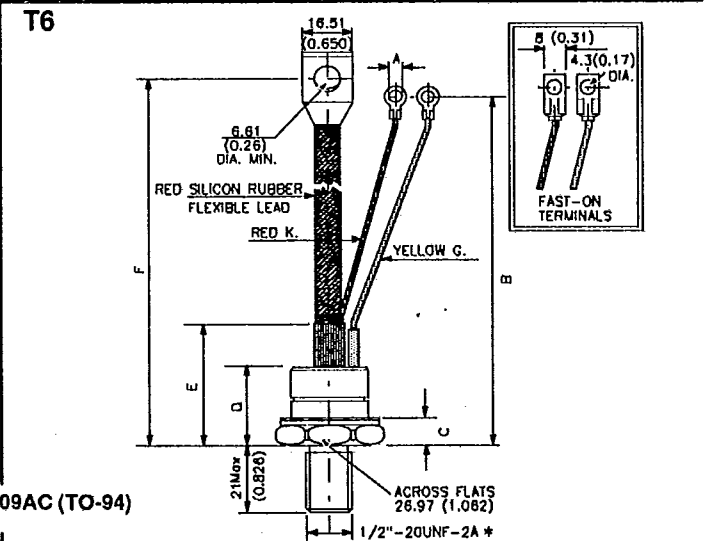


\* FOR METRIC DEVICES: M6 x 1



Case style TO-209AC (TO-94)

\* FOR METRIC DEVICE: M12 x 1.75 E 6



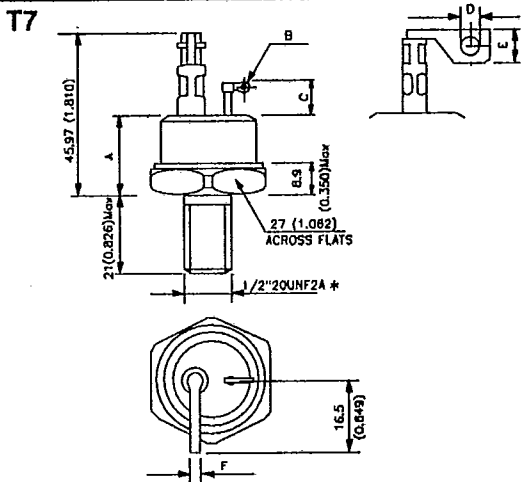
\* FOR METRIC DEVICE: M12 x 1.75 E 6

	A	B	C	D	E	F	G	H	
mm	15	7.6	173.99	8.9	20.5	58	160	8.3	T5 A
Inches	(0.59)	(0.299)	(6.850)	(0.350)	(0.807)	(2.283)	(6.299)	(0.326)	
mm	16.51	4.3	215	12.5	29	170	8.6		T5 B
Inches	(0.650)	(0.17)	(8.46)	(0.49)	(1.14)	(6.69)	(0.28)		
mm	14.60	3.56	173.99	8.9	20.44	38.1	154.49	6.8	T5 C
Inches	(0.575)	(0.140)	(6.850)	(0.350)	(0.805)	(1.500)	(6.082)	(0.26)	

	A	B	C	D	E	F	
mm	4.3	215	12.5	29	58	170	T6 A
Inches	(0.17)	(8.46)	(0.49)	(1.14)	(2.283)	(6.020)	
mm	3.56	173.99	8.9	28.57	58	152.91	T6 B
Inches	(0.140)	(6.850)	(0.350)	(1.125)	(2.283)	(6.020)	

Case outlines

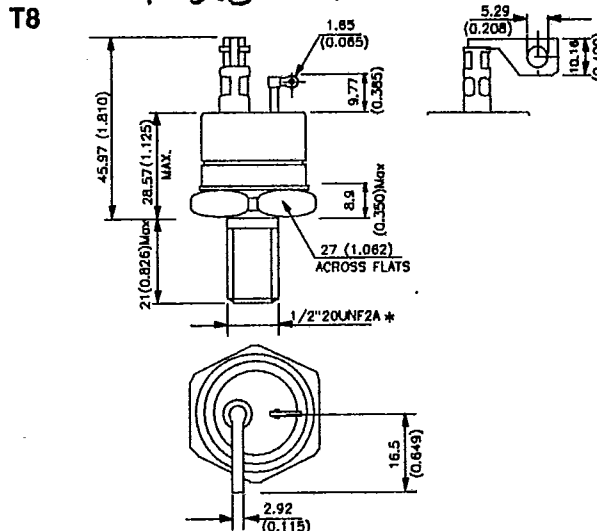
T-25-01



\* FOR METRIC DEVICE: M12 x 1.75 E 6

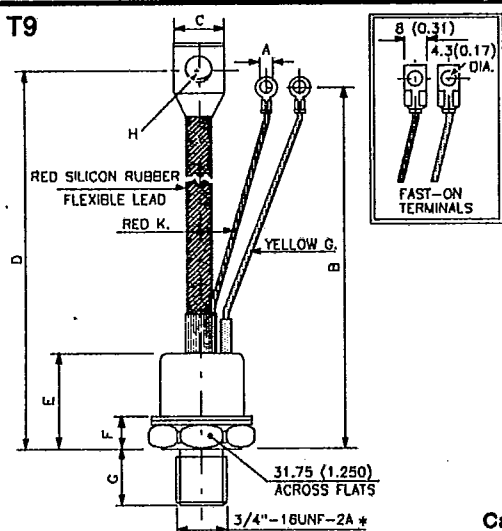
	A	B	C	D	E	F	
mm	20.5	1.8	9.9	8.3	16	2.3	T7 A
Inches	(0.807)	(0.07)	(0.374)	(0.22)	(0.393)	(0.090)	
mm	20.4	1.85	9.77	8.29	16.18	2.92	T7 B
Inches	(0.805)	(0.085)	(0.385)	(0.208)	(0.400)	(0.115)	

Case style TO-208AD (TO-83)



\* FOR METRIC DEVICE: M12 x 1.75 E 6

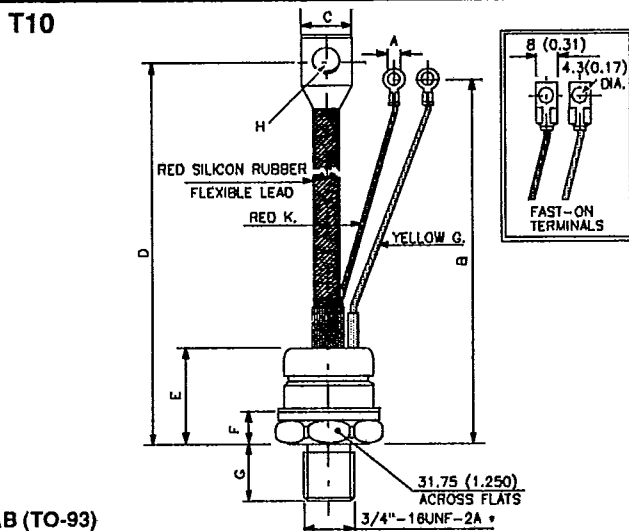
Case style TO-208AD (TO-83)



Case style TO-209AB (TO-93)

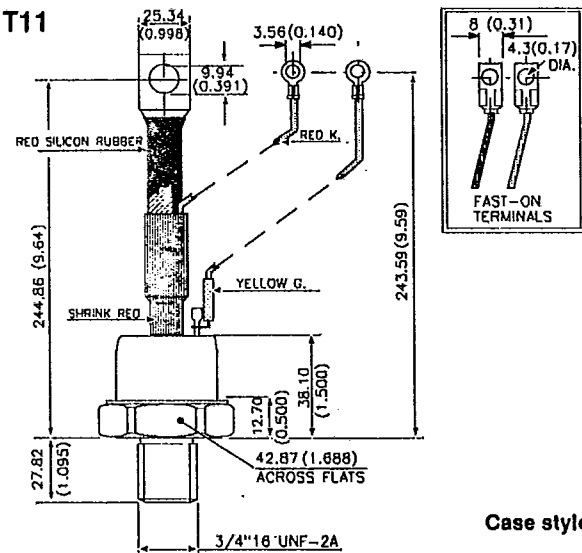
\* FOR METRIC DEVICE : M16 x 1.5 E 6

	A	B	C	D	E	F	G	
mm	4.3	220	19	210	38.5	16	27.5	T9 A
Inches	(0.17)	(8.66)	(0.75)	(8.26)	(1.51)	(0.63)	(1.08)	
mm	3.56	196.21	19.17	186.64	31.75	12.70	27.82	T9 B
Inches	(0.140)	(7.725)	(0.755)	(7.35)	(1.250)	(0.500)	(1.095)	

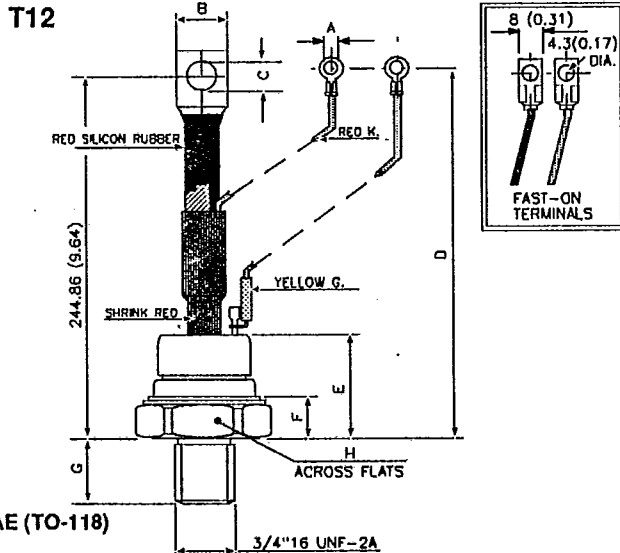


\* FOR METRIC DEVICE : M16 x 1.5 E 6

	A	B	C	D	E	F	G	
mm	4.3	220	19	210	38.5	16	27.5	T10 A
Inches	(0.17)	(8.66)	(0.75)	(8.26)	(1.51)	(0.63)	(1.08)	
mm	3.56	196.21	19.17	186.64	34.29	12.70	27.82	T10 B
Inches	(0.140)	(7.725)	(0.755)	(7.35)	(1.350)	(0.500)	(1.095)	



Case style TO-209AE (TO-118)



	A	B	C	D	E	F	G	H	
mm	4.3	22	10.5	245	47	21	27.5	45	T12 A
Inches	(0.17)	(0.866)	(0.41)	(9.64)	(1.85)	(0.82)	(1.08)	(1.77)	
mm	3.56	25.34	9.94	243.59	38.10	12.70	27.82	42.87	T12 B
Inches	(0.140)	(0.998)	(0.391)	(9.59)	(1.500)	(0.500)	(1.095)	(1.688)	

All dimensions in millimetres (inches)  
Dimensions are nominal  
Full engineering drawings are available on request

Case outlines

INTERNATIONAL RECTIFIER

T-25-01

**T13**

ANODE TO GATE  
 CREEPAGE DISTANCE: 7.82(0.300) MIN.  
 STRIKE DISTANCE: 7.12(0.280) MIN.

19.10 (0.752) DIA. MAX. TWO PLACES  
 D (TWO PLACES)  
 W  
 GATE TERM. FOR 1.47(0.058) DIA. NOM. PIN RECEPTACLE

2 HOLES 3.56(0.140) x 1.83 (0.072) MIN. DEEP

C  
 TERM. 4.75(0.187)  
 20° ± 5°

	A	B	C	D	E	
mm	42	28.1	8.5	0.3	13.1/14.4	T13 A
inches	1.65	1.10	0.25	0.012	0.518/0.567	
mm	41.5	28.32	8.10	0.77	13.85/14.35	T13 B
inches	1.63	1.115	0.240	0.030	0.537/0.565	

**Case style TO-200AB (A-PUK)**

**T14**

ANODE TO GATE  
 CREEPAGE DISTANCE: 11.18(0.440)  
 STRIKE DISTANCE: 7.82(0.300)

42(1.653) DIA. MAX.  
 25° ± 5°  
 C  
 B  
 2 HOLES 3.56(0.140) x 1.8 (0.070) MIN. DEEP

D (TWO PLACES) 25.3 (0.998) DIA. MAX. TWO PLACES  
 W  
 GATE TERM. FOR 1.47(0.058) DIA. NOM. PIN RECEPTACLE

	A	B	C	D	E	
mm	40.1	28.1	8.5	0.3	14.15/15.1	T14 A
inches	1.57	1.10	0.25	0.012	0.557/0.594	
mm	40.25	28.44	8.23	0.77	14.30/15.10	T14 B
inches	1.585	1.120	0.245	0.030	0.563/0.594	

**Case style TO-200AB (E-PUK)**

**T15**

0.782 (0.030) TWO PLACES  
 34.03(1.340) DIA. MAX. TWO PLACES  
 26.92 (1.060) MAX.  
 53.08 (2.090) DIA. MAX.

5.23 (0.245) MIN.  
 4.75 (0.187) NOM.  
 20° ± 5°  
 GATE TERM. FOR 1.47(0.058) DIA. NOM. PIN RECEPTACLE

2 HOLES 3.56(0.140) x 1.78(0.070) MIN. DEEP

35.78(1.409) MAX.

ANODE TO GATE  
 CREEPAGE DISTANCE: 36.33(1.430) MIN.  
 STRIKE DISTANCE: 17.43(0.68) MIN.

**Case style TO-200AC**

**T16**

67.05 (2.640) DIA. MAX.  
 47.82 (1.875) DIA. MAX. TWO PLACES  
 1.40 (0.055) TWO PLACES  
 27.68 (1.090) MAX.

5.23 (0.245) MIN.  
 4.75 (0.187) NOM.  
 20° ± 5°  
 GATE TERMINAL FOR 1.47 (0.058) DIA. NOM. PIN RECEPTACLE

3.56 (0.140) DIA. NOM. x 2.04 (0.080) DEEP MIN. BOTH ENDS  
 43.56 (1.715) MAX.

CREEPAGE DISTANCE: 28.88 (1.137) MIN.  
 STRIKE DISTANCE: 17.99 (0.708) MIN.  
 ANODE TO GATE

**Case style A-24**

**T17**

109.33 (3.950) DIA. MAX.  
 73.15 (2.880) DIA. MAX. TWO PLACES  
 0.87 (0.034) TWO PLACES  
 36.75 (1.447) MAX.

5.23 (0.245) MIN.  
 4.75 (0.187) NOM.  
 20° ± 5°  
 GATE TERMINAL FOR 1.47 (0.058) DIA. NOM. PIN RECEPTACLE

3.56 (0.140) DIA. NOM. x 1.78 (0.070) DEEP MIN. BOTH ENDS  
 61.97 (2.44) MAX.

CREEPAGE DISTANCE: 51.82 (2.04) MIN.  
 STRIKE DISTANCE: 32.52 (1.280) MIN.  
 ANODE TO GATE

**Case style A-36**

• All dimensions in millimetres (inches)  
 • Dimensions are nominal  
 • Full engineering drawings are available on request