

# TA8822SN

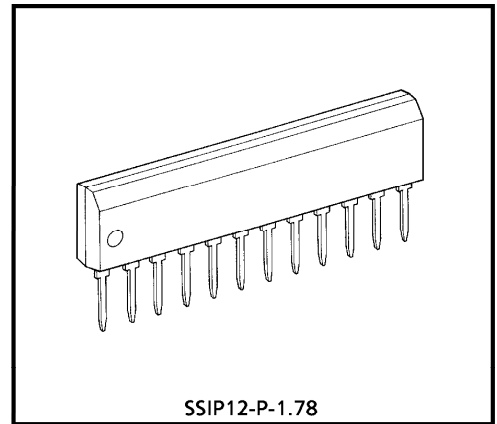
## AV SWITCH FOR COLOR TV

TA8822SN is a switching IC comprising one audio circuit and one video circuit and is offered in a shrink 12 pin plastic package.

TA8822SN has a DC-controllable electronic volume control function.

### FEATURES

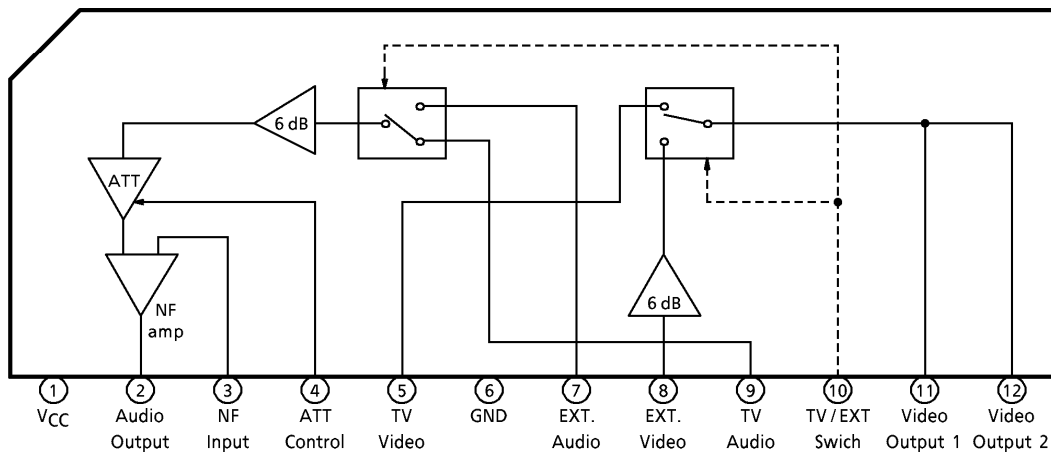
- Audio 2 inputs, 1 circuit  
Electronic volume control
- Video 2 inputs, 1 circuit



SSIP12-P-1.78

Weight : 0.71 g (Typ.)

### BLOCK DIAGRAM

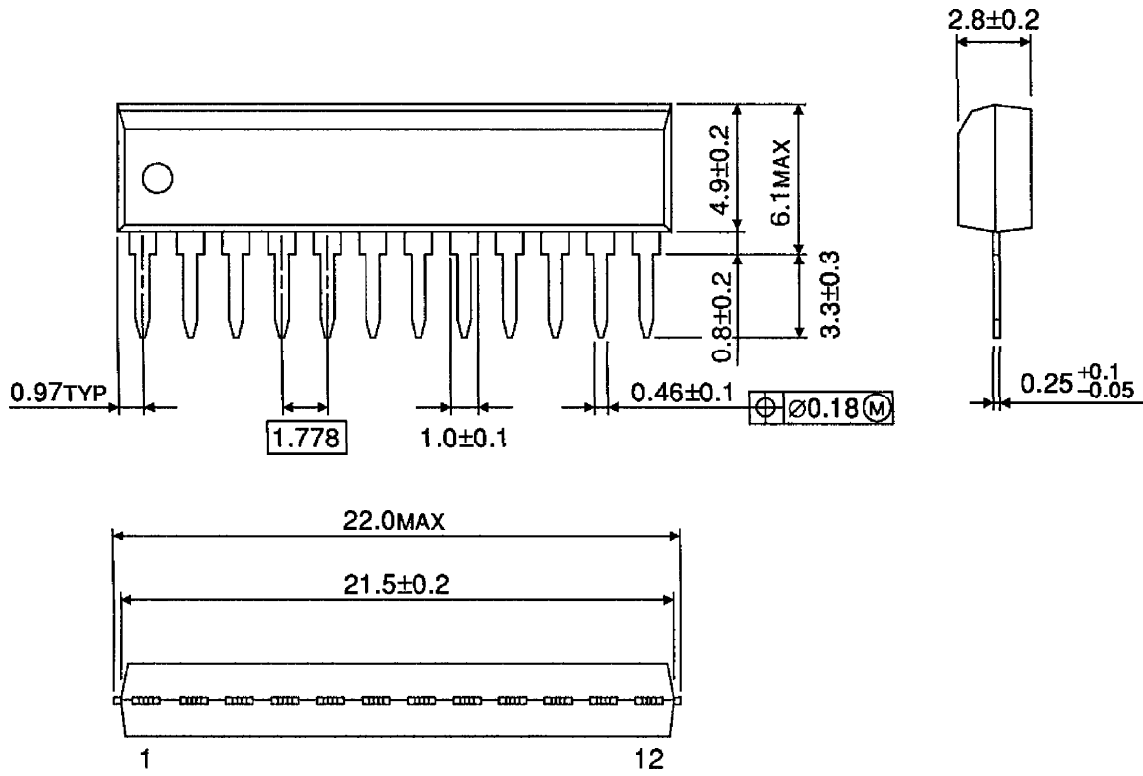


980910EBA1

- TOSHIBA is continually working to improve the quality and the reliability of its products. Nevertheless, semiconductor devices in general can malfunction or fail due to their inherent electrical sensitivity and vulnerability to physical stress. It is the responsibility of the buyer, when utilizing TOSHIBA products, to observe standards of safety, and to avoid situations in which a malfunction or failure of a TOSHIBA product could cause loss of human life, bodily injury or damage to property. In developing your designs, please ensure that TOSHIBA products are used within specified operating ranges as set forth in the most recent products specifications. Also, please keep in mind the precautions and conditions set forth in the TOSHIBA Semiconductor Reliability Handbook.
- The products described in this document are subject to the foreign exchange and foreign trade laws.
- The information contained herein is presented only as a guide for the applications of our products. No responsibility is assumed by TOSHIBA CORPORATION for any infringements of intellectual property or other rights of the third parties which may result from its use. No license is granted by implication or otherwise under any intellectual property or other rights of TOSHIBA CORPORATION or others.
- The information contained herein is subject to change without notice.

**PACKAGE DIMENSIONS**  
SSIP12-P-1.78

Unit : mm



Weight : 0.71 g (Typ.)