

# 2SA1672

## Silicon PNP Epitaxial Planar

☆ Complement to type 2SC4387

**Application Example:**  
Audio and General Purpose

● Outline Drawing 5 ..... FM100

**Absolute Maximum Ratings** (Ta=25°C)

Symbol	2SA1672	Unit
V <sub>CB0</sub>	-140	V
V <sub>CE0</sub>	-140	V
V <sub>EB0</sub>	-6	V
I <sub>C</sub>	-10	A
I <sub>B</sub>	-4	A
P <sub>C</sub>	80 (T <sub>C</sub> = 25°C)	W
T <sub>j</sub>	150	°C
T <sub>stg</sub>	-55~+150	°C

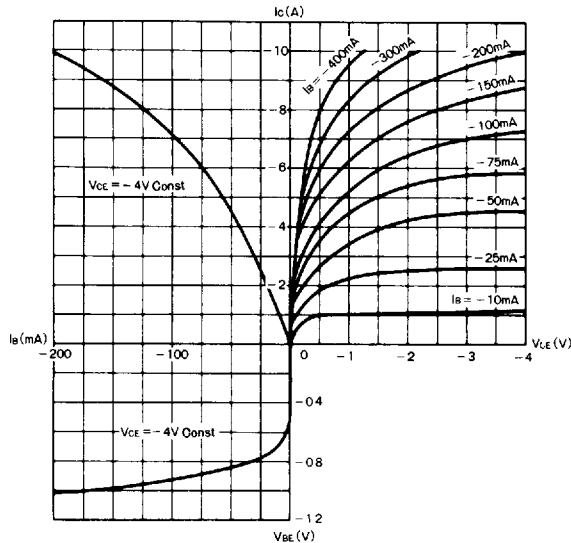
**Electrical Characteristics** (Ta=25°C)

Symbol	Conditions	2SA1672	Unit
I <sub>CB0</sub>	V <sub>CB</sub> = -140V	--10max	μA
I <sub>EB0</sub>	V <sub>EB</sub> = -6V	--10max	μA
V <sub>(BR)CEO</sub>	I <sub>C</sub> = -50mA	--140min	V
h <sub>FE</sub>	V <sub>CE</sub> = -4V, I <sub>C</sub> = -3A	50min	
V <sub>CE(sat)</sub>	I <sub>C</sub> = -5A, I <sub>B</sub> = -0.5A	--2.0max	V
f <sub>T</sub>	V <sub>CE</sub> = -12V, I <sub>E</sub> = 0.5A	20typ	MHz

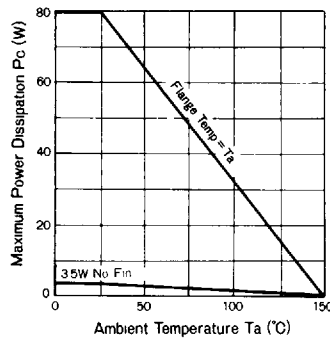
**Typical Switching Characteristics** (Common Emitter)

V <sub>CC</sub> (V)	R <sub>L</sub> (Ω)	I <sub>C</sub> (A)	V <sub>BB1</sub> (V)	V <sub>BB2</sub> (V)	I <sub>B1</sub> (A)	I <sub>B2</sub> (A)	t <sub>on</sub> (μs)	t <sub>stg</sub> (μs)	t <sub>r</sub> (μs)
-60	12	-5	-10	5	-0.5	0.5	0.3typ	0.9typ	0.2typ

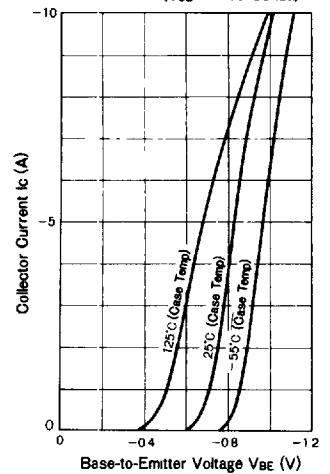
**Common Emitter Characteristics** (Typical Value)



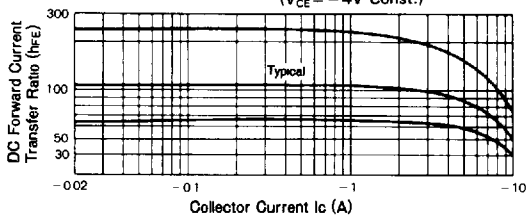
**Power Derating**



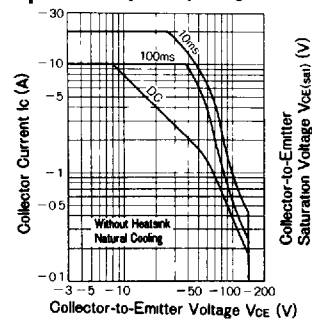
**Temperature Characteristics** (V<sub>CE</sub> = -4V Const.)



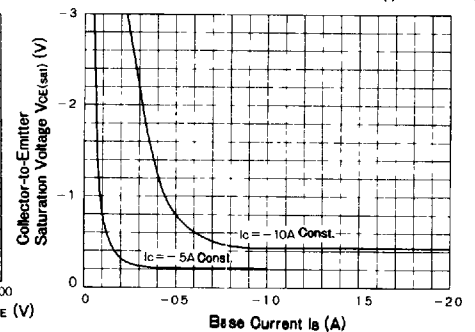
**DC Current Gain Characteristics** (V<sub>CE</sub> = -4V Const.)



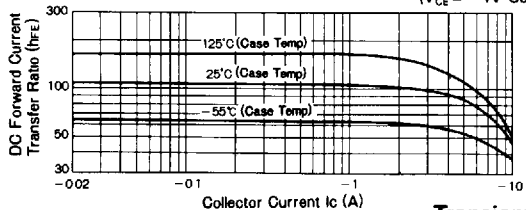
**Maximum Areas For Safe Operation (ASO) (Single Pulse)**



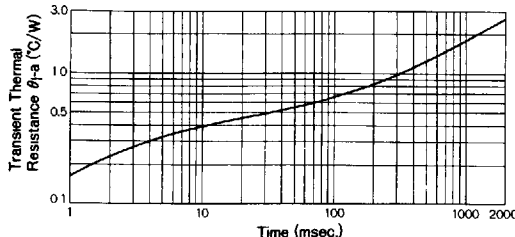
**V<sub>CE(sat)</sub> - I<sub>B</sub> Characteristics** (Typical Value)



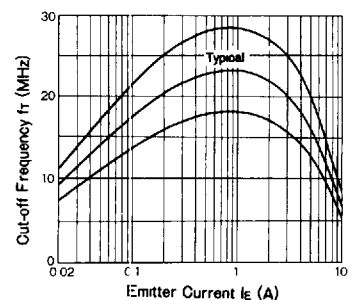
**DC Current Gain Temperature Characteristics** (V<sub>CE</sub> = -4V Const.)



**Transient Thermal Resistance Characteristics**



**Frequency Characteristics** (V<sub>CE</sub> = -12V Const.)



T-91-20

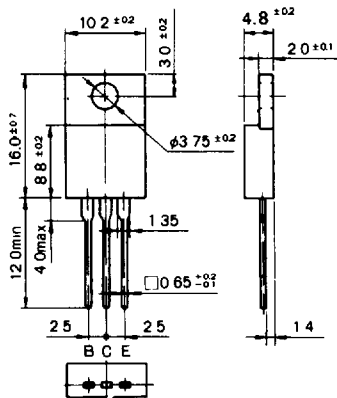
# Outline Drawings/Accessories

## Outline Drawing

- Nonflammability: UL94V-0 or equivalent
- Unit: in mm

### Outline Drawing 1

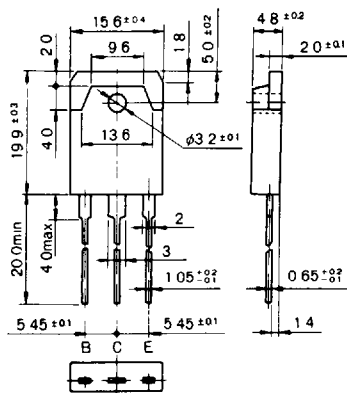
MT-25(T0220)



Weight: Approx. 2.6g

### Outline Drawing 2

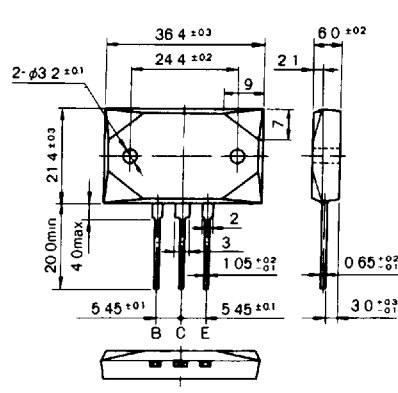
MT-100(T03P)



Weight: Approx. 6.0g

### Outline Drawing 3

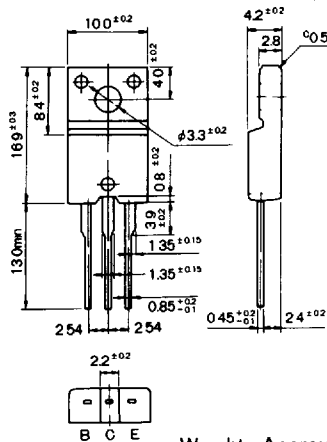
MT-200



Weight: Approx. 18.4g

### Outline Drawing 4

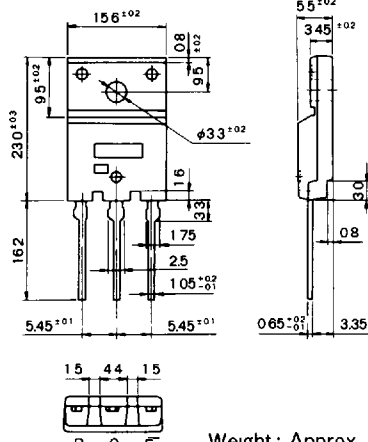
FM20 (Full Mold)



Weight: Approx. 2.0g

### Outline Drawing 5

FM100 (Full Mold)



Weight: Approx. 6.5g

## Accessories

☆Sanken Transistors do not include accessories. Accessories may be attached at a cost if requested.

☆Sanken transistor case is a standard size, and can replace any generally sold product.

- Heatsink: Mica, with a thickness of 0.06 mm, +0.045 -0.005 allowance

- Insulation Bush for MT-25(T0220)

Type Name: Molded (10) Mica    Type Name: Molded (14) Mica    Type Name: Molded (9) Mica

