

## TEMPERATURE SENSOR IC

### FEATURES

- Linear Output Voltage 6 MV/°C Output
- Active High On/Off Control
- 2.7 to 10.0 V Supply Range
- Miniature Package (SOT-25)
- Minimum External Parts Count
- Low Power Consumption

### DESCRIPTION

The TK11032 is a temperature sensor IC with a linear output of 6 mV/°C over the range of -30 to +105 °C. Its wide operating voltage range of 2.7 to 10.0 V makes it suitable for a number of applications requiring accurate temperature control, such as electronic thermostats for climate control, refrigerators, and industrial process controls. The device is in the "on" state when the control pin is pulled to a logic high level.

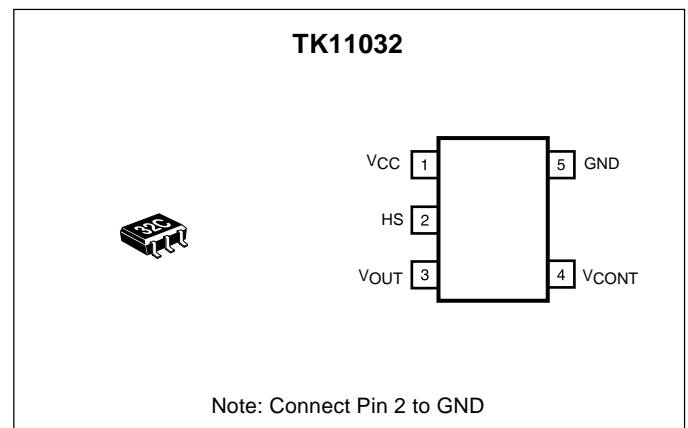
A typical application is to make a digital representation of temperature with an A/D converter, or to make a thermal detector with a comparator.

The TK11032 has a compensation pin for a 0.1 μF capacitor that ensures stability over the IC's operating temperature range.

The TK11032 is available in a miniature SOT-25 surface mount package.

### APPLICATIONS

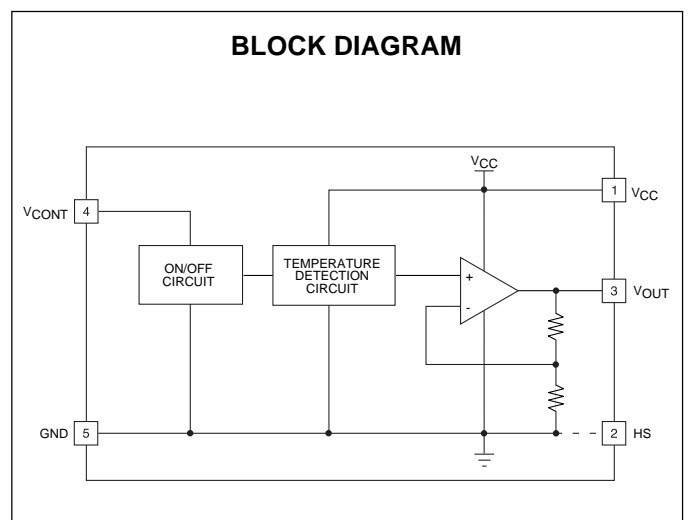
- Home and Industrial Thermostats
- Automotive Climate Control
- Battery Charger Temperature Monitor
- Notebook Computer Temperature Monitor
- Electronic Thermometers
- Fish Finder Water Temperature
- Industrial Process Controllers
- Home Appliance Temperature Control



**ORDERING INFORMATION**

TK11032M Tape/Reel Code

TAPE/REEL CODE  
 TL: Tape Left



# TK11032

## ABSOLUTE MAXIMUM RATINGS

Supply Voltage .....	12 V	Storage Temperature Range .....	-55 to +150 °C
Operating Voltage .....	2.7 to 10 V	Operating Temperature Range .....	-30 to +105 °C
Power Dissipation (Note 1) .....	150 mW	Lead Soldering Temperature (10 s) .....	235 °C
Junction Temperature .....	150 °C		

## TK11032 ELECTRICAL CHARACTERISTICS

Test Conditions:  $V_{CC} = 3.0\text{ V}$ ,  $V_{CONT} = 2.4\text{ V}$ ,  $I_{OUT} = 0\text{ }\mu\text{A}$ ,  $T_A = 25\text{ }^\circ\text{C}$ , unless otherwise specified.

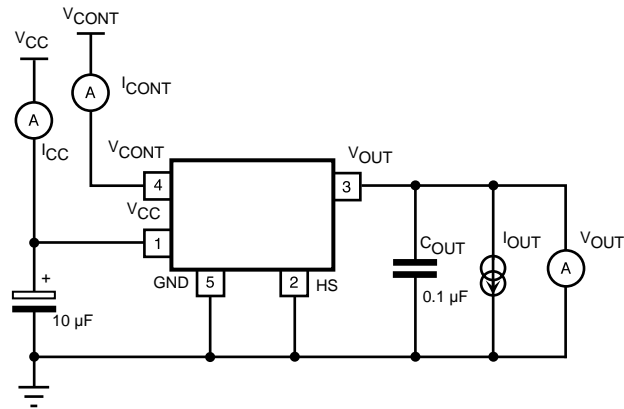
SYMBOL	PARAMETER	TEST CONDITIONS	MIN	TYP	MAX	UNITS
$V_{OUT}$	Output Voltage	$T_A = 25\text{ }^\circ\text{C}$	1.7712	1.7892	1.8072	V
		$T_A = 85\text{ }^\circ\text{C}$	2.1306	2.1546	2.1786	V
		$T_A = -30\text{ }^\circ\text{C}$		1.4610		V
$T_C$	Temperature Coefficient	$T_A = 25\text{ }^\circ\text{C}$ to $85\text{ }^\circ\text{C}$	5.61	6.09	6.57	mV/°C
Line Reg	Line Regulation	$V_{CC} = 3$ to $10\text{ V}$	-12	3	12	mV
Load Reg	Load Regulation	$I_{OUT} = 0$ to $400\text{ }\mu\text{A}$		3	20	mV
$I_{CC}$	Supply Current			85	150	$\mu\text{A}$
$I_{OUT}$	Output Current	$\Delta V_{OUT} \leq 20\text{ mV}$			400	$\mu\text{A}$
$I_{CC(STBY)}$	Standby Supply Current	$V_{CONT} \leq 0.6\text{ V}$			1	$\mu\text{A}$

### CONTROL TERMINAL SPECIFICATIONS

$V_{CONT(ON)}$	Control Voltage (ON)	$V_{OUT} = 1.7712$ to $1.8072\text{ V}$ , Output ON	1.8	2.4	$V_{CC}$	V
$V_{CONT(OFF)}$	Control Voltage (OFF)	$V_{OUT} \leq 0.1\text{ V}$ , Output OFF	GND		0.6	V
$I_{CONT}$	Control Current			4.5	7.5	$\mu\text{A}$

Note 1: Power dissipation is 150 mW when mounted as recommended. Derate at 1.2 mW/°C for operation above 25 °C.

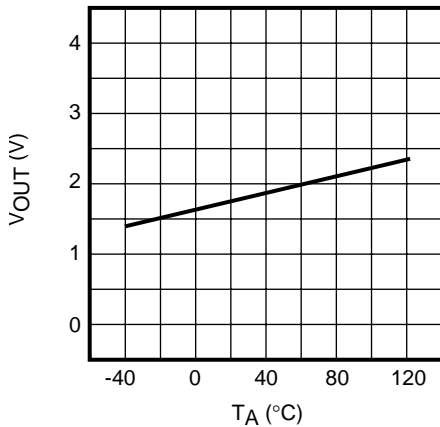
**TEST CIRCUIT**



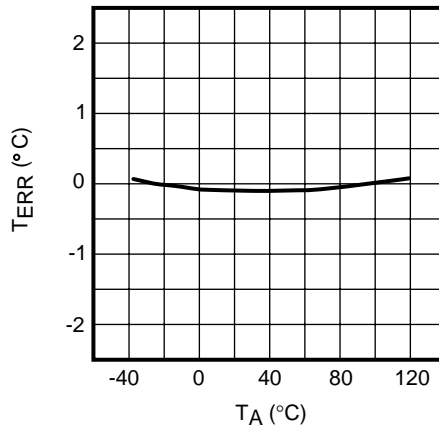
**TYPICAL PERFORMANCE CHARACTERISTICS**

$V_{CC} = 3\text{ V}$ ,  $V_{CONT} = 2.4\text{ V}$ ,  $I_{OUT} = 0\text{ }\mu\text{A}$ ,  $T_A = 25\text{ }^\circ\text{C}$ , unless otherwise specified.

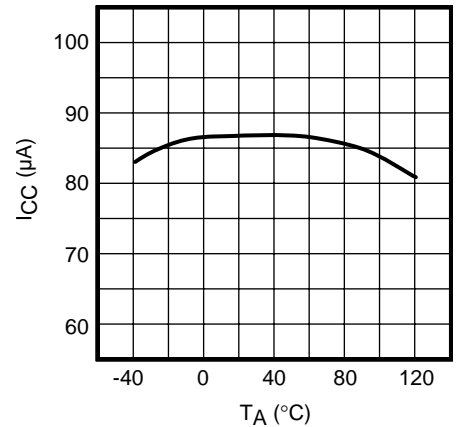
**OUTPUT VOLTAGE vs. TEMPERATURE**



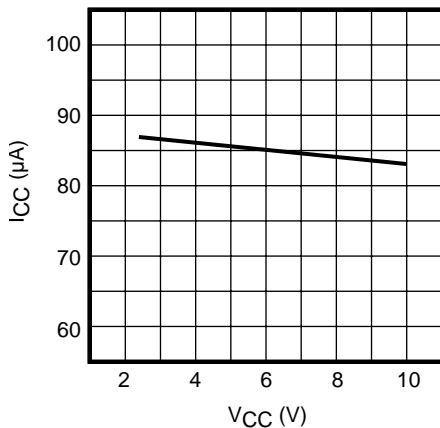
**LINEARITY ERROR vs. TEMPERATURE**



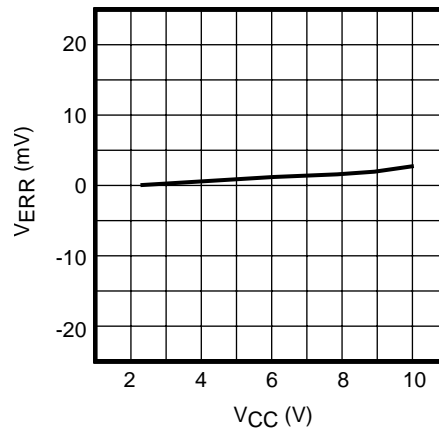
**INPUT CURRENT vs. TEMPERATURE**



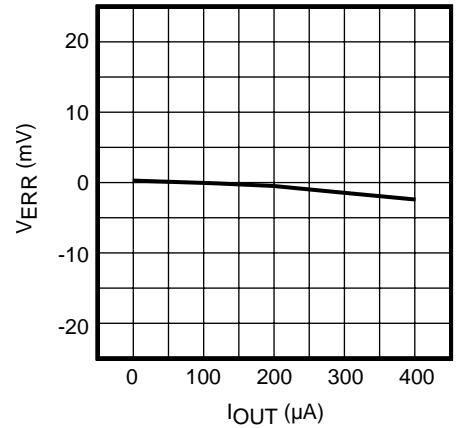
**INPUT CURRENT vs. INPUT VOLTAGE**



**LINE REGULATION**



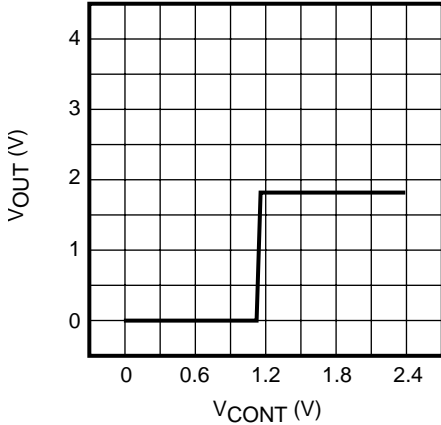
**LOAD REGULATION**



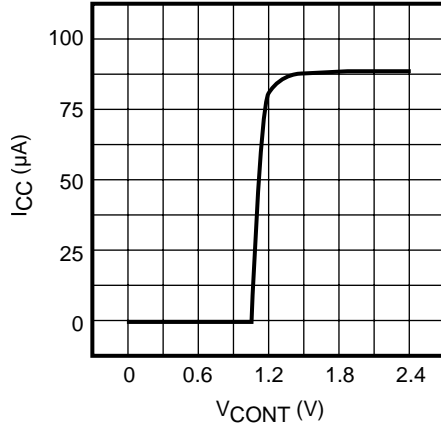
**TYPICAL PERFORMANCE CHARACTERISTICS (CONT.)**

$V_{CC} = 3\text{ V}$ ,  $V_{CONT} = 2.4\text{ V}$ ,  $I_{OUT} = 0\text{ }\mu\text{A}$ ,  $T_A = 25\text{ }^\circ\text{C}$ , unless otherwise specified.

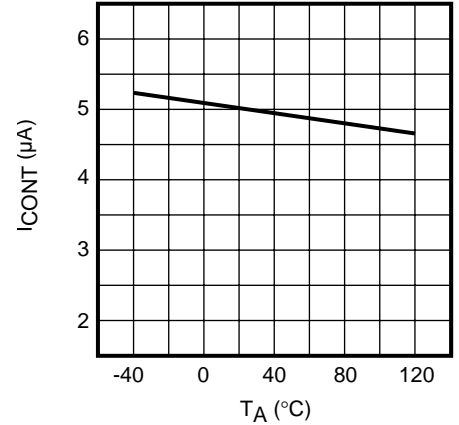
**OUTPUT VOLTAGE vs. CONTROL VOLTAGE**



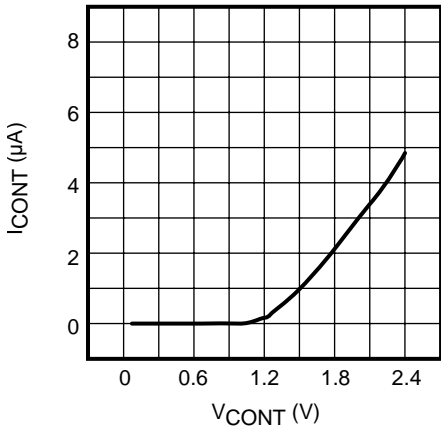
**INPUT CURRENT vs. CONTROL VOLTAGE**



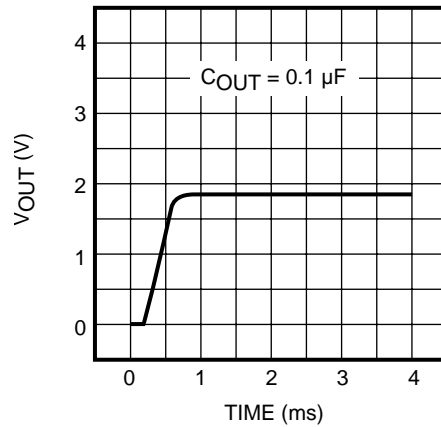
**CONTROL CURRENT vs. TEMPERATURE**



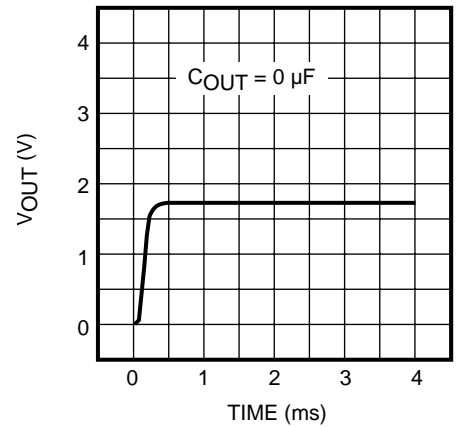
**CONTROL CURRENT vs. CONTROL VOLTAGE**



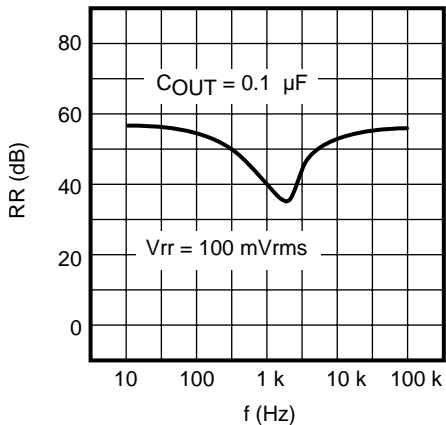
**CONTROL VOLTAGE RESPONSE A**



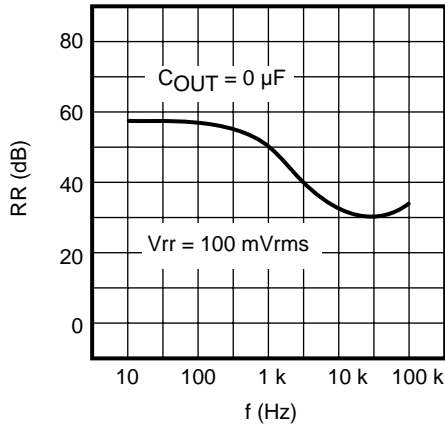
**CONTROL VOLTAGE RESPONSE B**



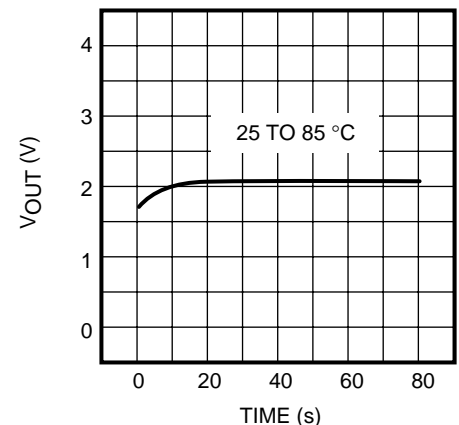
**RIPPLE REJECTION RATIO A**



**RIPPLE REJECTION RATIO B**

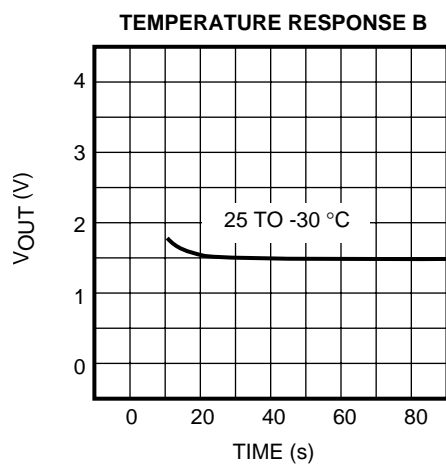


**TEMPERATURE RESPONSE A**

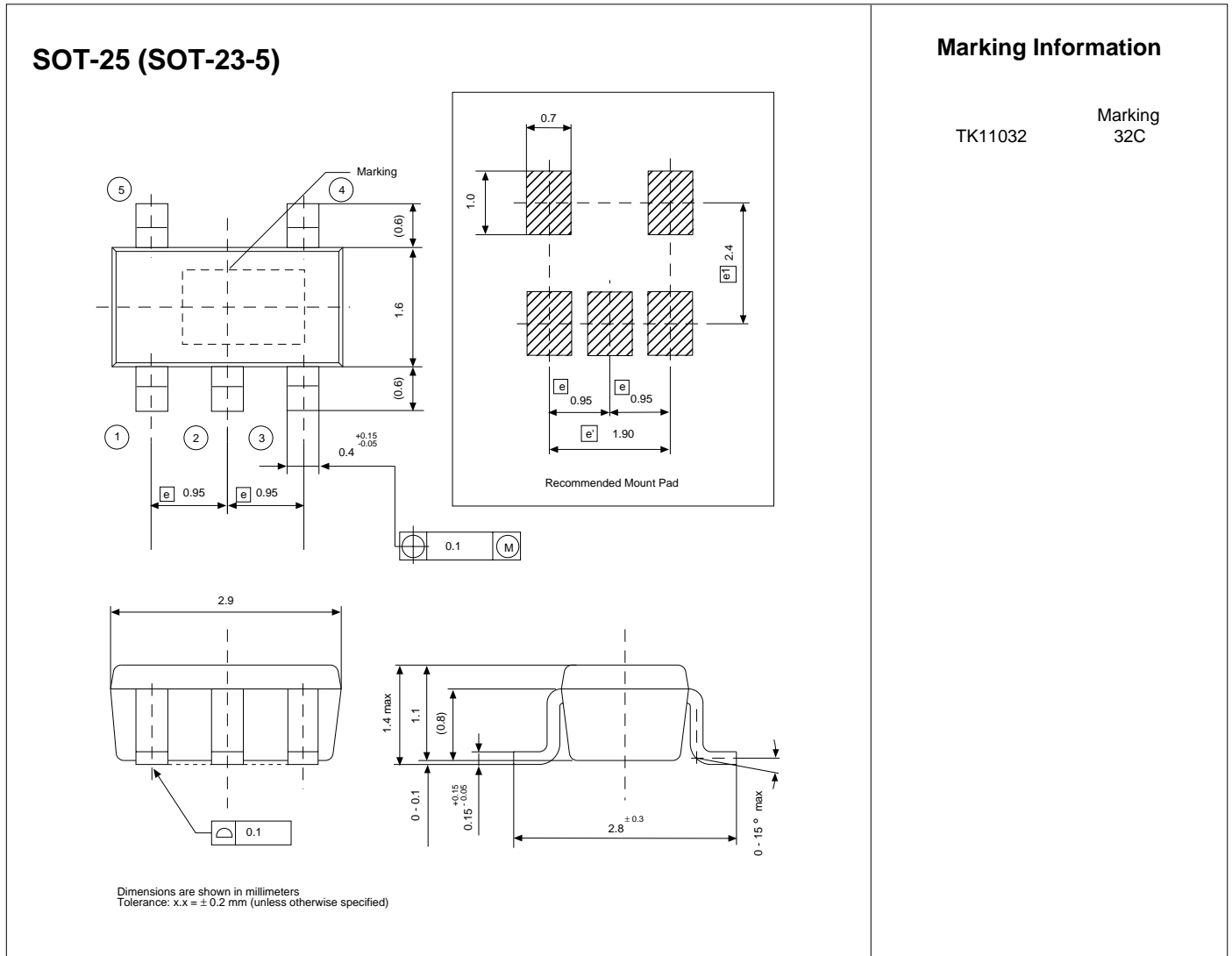


**TYPICAL PERFORMANCE CHARACTERISTICS (CONT.)**

$V_{CC} = 3\text{ V}$ ,  $V_{CONT} = 2.4\text{ V}$ ,  $I_{OUT} = 0\text{ }\mu\text{A}$ ,  $T_A = 25\text{ }^\circ\text{C}$ , unless otherwise specified.



PACKAGE OUTLINE



Toko America, Inc. Headquarters  
 1250 Feehanville Drive, Mount Prospect, Illinois 60056  
 Tel: (847) 297-0070 Fax: (847) 699-7864

TOKO AMERICA REGIONAL OFFICES

Midwest Regional Office  
 Toko America, Inc.  
 1250 Feehanville Drive  
 Mount Prospect, IL 60056  
 Tel: (847) 297-0070  
 Fax: (847) 699-7864

Western Regional Office  
 Toko America, Inc.  
 2480 North First Street, Suite 260  
 San Jose, CA 95131  
 Tel: (408) 432-8281  
 Fax: (408) 943-9790

Eastern Regional Office  
 Toko America, Inc.  
 107 Mill Plain Road  
 Danbury, CT 06811  
 Tel: (203) 748-6871  
 Fax: (203) 797-1223

Semiconductor Technical Support  
 Toko Design Center  
 4755 Forge Road  
 Colorado Springs, CO 80907  
 Tel: (719) 528-2200  
 Fax: (719) 528-2375

Visit our Internet site at <http://www.tokoam.com>

The information furnished by TOKO, Inc. is believed to be accurate and reliable. However, TOKO reserves the right to make changes or improvements in the design, specification or manufacture of its products without further notice. TOKO does not assume any liability arising from the application or use of any product or circuit described herein, nor for any infringements of patents or other rights of third parties which may result from the use of its products. No license is granted by implication or otherwise under any patent or patent rights of TOKO, Inc.