

# DATA SHEET



**OM6208**

65 x 96 pixels matrix grey-scale  
LCD driver

Product specification  
Supersedes data of 2003 Jan 30

2003 feb 10

**65 x 96 pixels matrix grey-scale LCD driver****OM6208**

<b>CONTENTS</b>		
1	FEATURES	
2	APPLICATIONS	
3	GENERAL DESCRIPTION	
4	ORDERING INFORMATION	
5	BLOCK DIAGRAM	
6	PINNING	
7	FUNCTIONAL DESCRIPTION	
7.1	I/O buffers and interfaces	11.4
7.2	Oscillator	11.5
7.3	Address counter	11.6
7.4	Display data RAM	11.6.1
7.5	Display address counter	11.6.2
7.6	Timing generator	11.7
7.7	Data processing	11.8
7.8	High voltage generator	11.9
7.9	Bias voltage generator	11.10
7.10	Command decoder	11.10.1
7.11	Orthogonal function generator	11.10.2
7.12	Reset	11.10.3
7.13	Row drivers and column drivers	11.11
8	RAM ADDRESSING	11.12
8.1	Display data RAM structure	12
8.1.1	Horizontal/vertical addressing	13
8.1.2	Mirror Y	14
8.1.3	Mirror X	15
9	SERIAL INTERFACING	16
9.1	Serial peripheral interface	16.1
9.1.1	Write mode	16.2
9.1.2	Read mode	16.3
9.2	Serial interface (3-line)	17
9.2.1	Write mode	17.1
9.2.2	Read mode	17.2
9.2.3	Read data format	17.2.1
10	I <sup>2</sup> C-BUS INTERFACE	17.2.2
10.1	Characteristics of the I <sup>2</sup> C-bus (Hs-mode)	17.3
10.1.1	System configuration	17.4
10.1.2	Bit transfer	17.4.1
10.1.3	Start and stop conditions	17.5
10.1.4	Acknowledge	17.5.1
10.2	I <sup>2</sup> C-bus Hs-mode protocol	17.5.2
10.3	Command decoder	17.6
10.4	Read mode	17.7
11	INSTRUCTIONS	17.8
11.1	Description of command bits	18
11.2	Frame frequency setting and oscillator tuning	19
11.3	Initialization	20
		21
		22
		23
		24
		Reset function
		Power-down mode
		Display Control
		Horizontal mirroring
		Vertical mirroring
		Set Y address of RAM
		Set X address of RAM
		Bias levels
		LCD drive voltage
		LCD drive voltage generation
		Temperature measurement
		Temperature compensation
		Grey-scale mode and black-and-white mode
		N-line inversion and frame inversion
		LIMITING VALUES
		HANDLING
		DC CHARACTERISTICS
		AC CHARACTERISTICS
		APPLICATION INFORMATION
		Protection from light
		Chip-on-glass displays
		Application examples
		MODULE MAKER PROGRAMMING
		V <sub>LCD</sub> calibration
		Factory defaults
		Configuration derived from OTP cells
		Defaults from interface registers
		Seal bit
		OTP architecture
		OTP operational effects
		Interface commands
		CALMM instruction
		Refresh instruction
		Example of filling the shift register
		Programming flow
		Programming specification
		DEVICE PROTECTION DIAGRAM
		BONDING PAD INFORMATION
		TRAY INFORMATION
		DATA SHEET STATUS
		DEFINITIONS
		DISCLAIMERS
		PURCHASE OF PHILIPS I <sup>2</sup> C COMPONENTS

## 65 x 96 pixels matrix grey-scale LCD driver

OM6208

**1 FEATURES**

- Single chip LCD Multiple Row Addressing (MRA) grey-scale/colour controller/driver
- Four grey levels/colours
- 65 row outputs and 96 column outputs
- Display Data RAM (DDRAM)  $65 \times 96 \times 2$  bits
- Selectable interface:
  - 6.5 MHz 3-line or 4-line Serial Peripheral Interface (SPI)
  - 6.5 MHz 3-line serial interface
  - High speed I<sup>2</sup>C-bus interface.
- On-chip:
  - Configurable voltage multiplier generating  $V_{LCD}$ ; external  $V_{LCD}$  also possible
  - Four-segment  $V_{LCD}$  temperature compensation
  - Generation of intermediate LCD bias voltage
  - Oscillator requires no external components; external clock input also possible
  - Integrated charge pump capacitors (reducing total system cost).
- External reset input
- Temperature read-back
- Selectable N-line inversion and frame inversion
- CMOS compatible inputs
- Logic supply voltage range 1.7 to 3.3 V
- High-voltage generator supply voltage range 2.4 to 4.5 V
- Display supply voltage range 5 to 9 V
- Low power consumption; suitable for battery operated systems



- Programmable row pad mirroring for compatibility with Tape Carrier Packages (TCP) and with Chip-On Glass (COG) applications
- Status read which allows chip recognition
- Start address line; for example, for scrolling the displayed image
- Slim chip layout; suitable for COG, COF and TCP applications
- Operating temperature range  $-40$  to  $+85$  °C.

**2 APPLICATIONS**

- Telecom equipment
- Portable instruments
- Point of sale terminals.

**3 GENERAL DESCRIPTION**

The OM6208 is a low power CMOS LCD controller driver, designed to drive a graphic display of 65 rows and 96 columns. All necessary functions for the display are provided in a single chip, including on-chip generation of LCD supply and bias voltages, resulting in a minimum of external components and low power consumption. The OM6208 can be interfaced to microcontrollers via a serial bus and I<sup>2</sup>C-bus.

The OM6208 is manufactured in n-well CMOS technology. Operation is with the substrate at  $V_{SS}$  potential.

**4 ORDERING INFORMATION**

TYPE NUMBER	PACKAGE		
	NAME	DESCRIPTION	VERSION
OM6208MU/2DA/1	–	chip with bumps in tray	–

65 x 96 pixels matrix grey-scale LCD driver

OM6208

5 BLOCK DIAGRAM

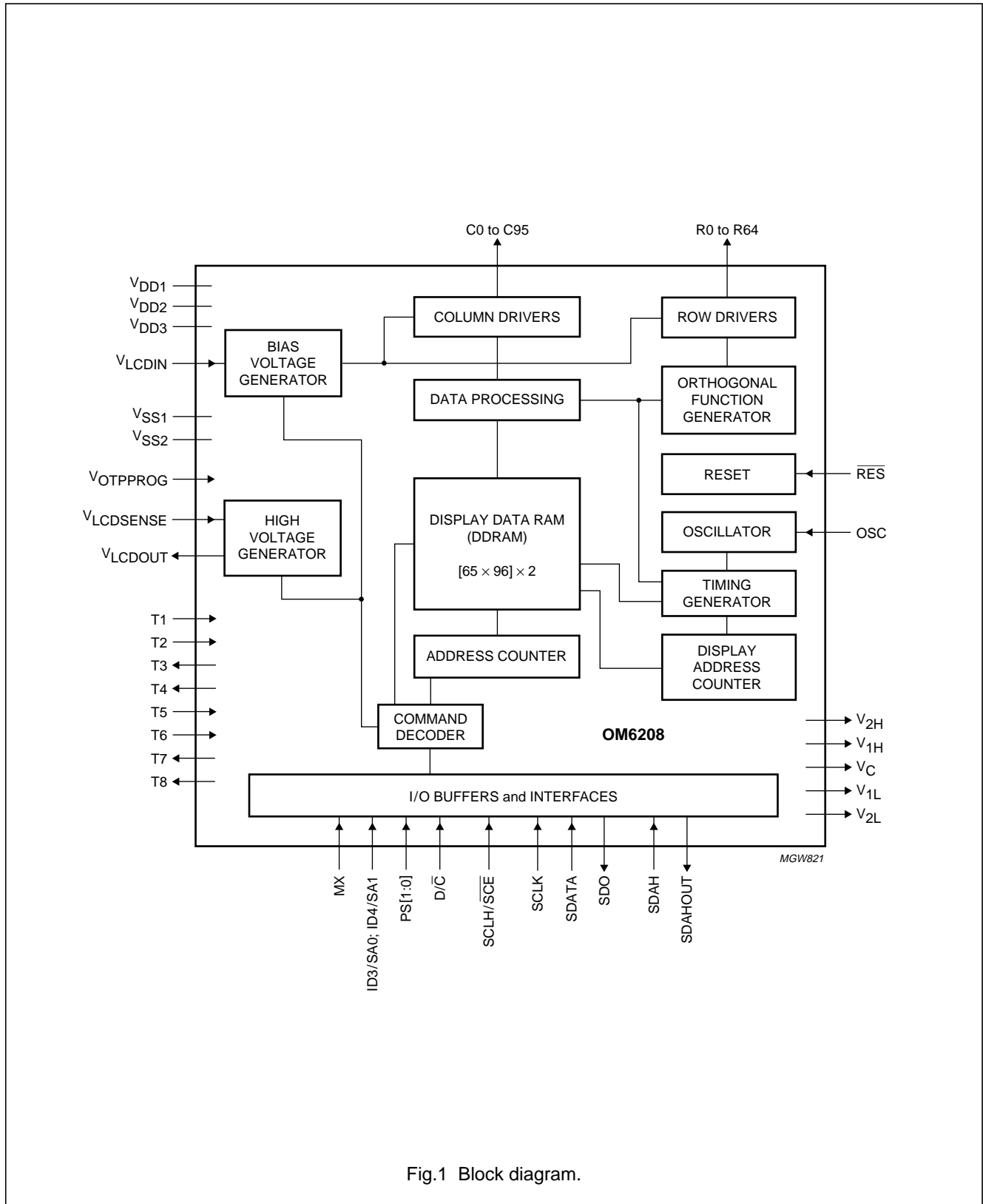


Fig.1 Block diagram.

## 65 x 96 pixels matrix grey-scale LCD driver

OM6208

## 6 PINNING

SYMBOL	PAD <sup>(1)</sup>	DESCRIPTION
V <sub>LCDIN</sub>	5 to 8	LCD supply voltage input; note 2
V <sub>LCDOUT</sub>	9 to 15	LCD supply voltage output from high voltage generator; note 2
V <sub>LCDSENSE</sub>	16	regulation input to high voltage generator; note 2
V <sub>DD2</sub>	17 to 26	supply voltage 2; note 3
V <sub>DD3</sub>	27 to 29	supply voltage 3; note 3
OSC	30	oscillator input; note 4
D/ $\bar{C}$	31	data/command input/output; note 5
PS[1:0]	32 and 33	interface selection inputs
V <sub>DD1</sub>	34 to 39	supply voltage 1; note 3
SDAHOUT	44	I <sup>2</sup> C-bus data output; note 6
SCLK	46	serial data clock input; used in 3-line or 4-line SPI or 3-line serial interface mode
SDAH	52	I <sup>2</sup> C-bus data input; note 7
SDO	53	serial data output; note 8
SDATA	54	serial data input; note 9
V <sub>SS2</sub>	55 to 61	ground 2 (analog ground); note 10
V <sub>SS1</sub>	62 to 67	ground 1 (digital ground); note 10
MX	68	horizontal mirroring input
T3	69	test outputs; note 11
T4	70	
T1	71	
T2	72	
T5	73	
T6	74	
ID3/SA0; ID4/SA1	75 and 76	
V <sub>DD1</sub>	77	supply voltage 1 (tie-off pad)
SCLH/ $\bar{SCE}$	83	I <sup>2</sup> C-bus clock input/serial chip enable input in 3-line or 4-line SPI mode; note 5
V <sub>OTPPROG</sub>	84 to 86	supply voltage input for OTP programming; note 13
$\bar{RES}$	88	external reset input; active low; must be applied to initialize the chip properly
R32 to R64	105 to 137	LCD row driver outputs
V <sub>C</sub>	138	bias buffer output; note 14
T8	141	test outputs; note 11
T7	142	
V <sub>1L</sub>	143	bias buffer output; note 14
C95 to C48	144 to 191	LCD column driver outputs
C47 to C0	194 to 241	
R31 to R0	247 to 278	LCD row driver outputs
V <sub>1H</sub>	244	bias buffer outputs; note 14
V <sub>2L</sub>	245	
V <sub>2H</sub>	246	

## 65 x 96 pixels matrix grey-scale LCD driver

## OM6208

**Notes**

1. Dummy pads are located at positions 1, 2, 4, 40 to 43, 45, 47 to 51, 78 to 82, 87, 89 to 92, 95 to 104, 139, 140, 192, 193, 242, 243, 279 and 280; alignment marks are located at positions 3 and 93; an alignment bump is located at position 94.
2. Positive power supply for the liquid crystal display (see also Figs 38, 39 and 40):
  - a) If the internal voltage generator is used, pads  $V_{LCDIN}$ ,  $V_{LCDSENSE}$  and  $V_{LCDOUT}$  must be connected together.
  - b) An external LCD supply voltage can be incorporated using the  $V_{LCDIN}$  pad; the internal voltage generator must then be switched off, pad  $V_{LCDOUT}$  must be open-circuit (not connected to pad  $V_{LCDIN}$ ) and pad  $V_{LCDSENSE}$  connected to the  $V_{LCDIN}$  input;  $V_{DD2,3}$  should be applied according to the specified voltage range. In Power-down mode, the external LCD supply voltage must be switched off.
3.  $V_{DD2}$  and  $V_{DD3}$  supply the internal voltage generator, both have the same voltage and may be connected together outside of the chip;  $V_{DD1}$  supplies the remainder of the chip.  $V_{DD1}$ ,  $V_{DD2}$  and  $V_{DD3}$  can be connected together but then care must be taken with respect to the supply voltage range.
4. When the on-chip oscillator is used, the OSC input must be connected to  $V_{DD1}$ . If an external clock signal is used, then this is connected to the OSC input. If both the oscillator and external clock are inhibited by connecting pad OSC to  $V_{SS1}$ , the display is not clocked and may be in a DC state. To avoid this, the chip should always be put into Power-down mode before stopping the clock.
5. This input is not used with the 3-line serial interface and must be connected to  $V_{DD1}$  or  $V_{SS1}$  when this interface is in use.
6. SDAHOUT is the serial data acknowledge output from the I<sup>2</sup>C-bus interface. By connecting SDAHOUT to SDAH externally, the SDAH line becomes fully I<sup>2</sup>C-bus compatible. Having the acknowledge output separated from the serial data line is advantageous in COG applications because here the track resistance from the SDAHOUT pad to the system SDAH line can be significant and a potential divider can be generated by the bus pull-up resistor and the ITO track resistance. It is possible that during the acknowledge cycle the OM6208 will not be able to create a valid logic 0. By splitting the SDAH input from the SDAHOUT output the device could be used in a mode that ignores the acknowledge bit. Therefore in COG applications where the acknowledge cycle is required, it is necessary to minimize the track resistance from the SDAHOUT pad to the system SDAH line to guarantee a valid logic 0. When SDAHOUT is not used, it must be connected to  $V_{DD1}$  or  $V_{SS1}$ .
7. When I<sup>2</sup>C-bus is not used, this pad must be connected to  $V_{DD1}$  or  $V_{SS1}$ .
8. SDO is a push-pull output; when it is intended to use the readback function of the OM6208, this pad must be connected to the SDATA pad, or used separately; when I<sup>2</sup>C-bus interface is selected, this pad should be connected to  $V_{DD1}$  or  $V_{SS1}$ .
9. When I<sup>2</sup>C-bus interface is selected this pin should be connected to  $V_{DD1}$  or  $V_{SS1}$ .
10. Supply rails  $V_{SS1}$  and  $V_{SS2}$  must be connected together.
11. Test pads T1 to T8 are not accessible to users: T1, T2, T5 and T6 must be connected to  $V_{SS}$ ; T3, T4, T7 and T8 must be open-circuit.
12. Module identification bits: these bits may be read back via the 'read back' instruction; when the I<sup>2</sup>C-bus interface is being used, these bits are the two LSBs of the slave address.
13.  $V_{OTPROG}$  can be connected to SCLH/ $\overline{SCE}$  pad to reduce the external connections. If not connected in this configuration, then  $V_{OTPROG}$  should be open-circuit during normal operation.
14. These pads are not accessible to users and must be left open-circuit; an explanation of the bias buffer function is given in Section 11.9.

## 65 x 96 pixels matrix grey-scale LCD driver

## OM6208

**7 FUNCTIONAL DESCRIPTION****7.1 I/O buffers and interfaces**

One of four industrial standard interfaces can be selected using the interface configuration inputs PS1 and PS0.

**Table 1** Serial/I<sup>2</sup>C-bus interface selection

PS1	PS0	SELECTED INTERFACE
0	0	3-line SPI
0	1	4-line SPI
1	0	I <sup>2</sup> C-bus interface
1	1	3-line serial interface

**7.2 Oscillator**

The on-chip oscillator provides the clock signal for the display system. No external components are required when the internal oscillator is used. An external clock signal, if used, is connected to this input.

**7.3 Address counter**

The Address Counter (AC) assigns addresses to the display data RAM for writing. The X address X[6:0] and the Y address Y[4:0] are set separately.

**7.4 Display data RAM**

The OM6208 contains a 65 × 96 × 2 bit static RAM which stores the display data. The display data RAM is divided into 17 banks of 96 bytes, although only two bits of the 17th bank are used. During RAM access, data is transferred to the RAM via the serial interface. There is a direct correspondence between X address and column output number.

**7.5 Display address counter**

The display is generated by simultaneously reading out the RAM content for two or four rows, depending on the current display size that is selected. This content will be processed with the corresponding set of two or four orthogonal functions and so generate the signals for switching the pixels of the display on or off according to the RAM content.

The display status (all dots on/all dots off and normal/inverse video) is set by the bits DON, DAL and E in the command Display control (see Table 8).

**7.6 Timing generator**

The timing generator produces the various signals required to drive the internal circuitry. Internal chip operation is not affected by operations on the data bus.

**7.7 Data processing**

The data processing block receives data from the RAM and the orthogonal function from the logic circuits, then selects the correct voltage level to be provided to the columns.

**7.8 High voltage generator**

The high voltage generator provides the programmed V<sub>LCD</sub> to the bias voltage generator block.

**7.9 Bias voltage generator**

The bias voltage generator generates all the voltage levels required for the MRA driving system.

**7.10 Command decoder**

The command decoder identifies command words arriving at the interface and routes the data bytes that follow to their destination.

**7.11 Orthogonal function generator**

The orthogonal function generator generates a set of orthogonal functions suitable for the selected value of p (number of active rows).

**7.12 Reset**

The reset block handles the hardware reset input ( $\overline{\text{RES}}$ ) and software reset and provides all internal blocks with the required reset signal.

**7.13 Row drivers and column drivers**

The OM6208 contains 65 row and 96 column drivers which connect the appropriate LCD bias voltages in sequence to the display in accordance with the data to be displayed. A typical MRA driving scheme with waveforms for p = 4 is shown in Fig.2. The value of p represents the number of simultaneously selected rows.

65 x 96 pixels matrix grey-scale LCD driver

OM6208

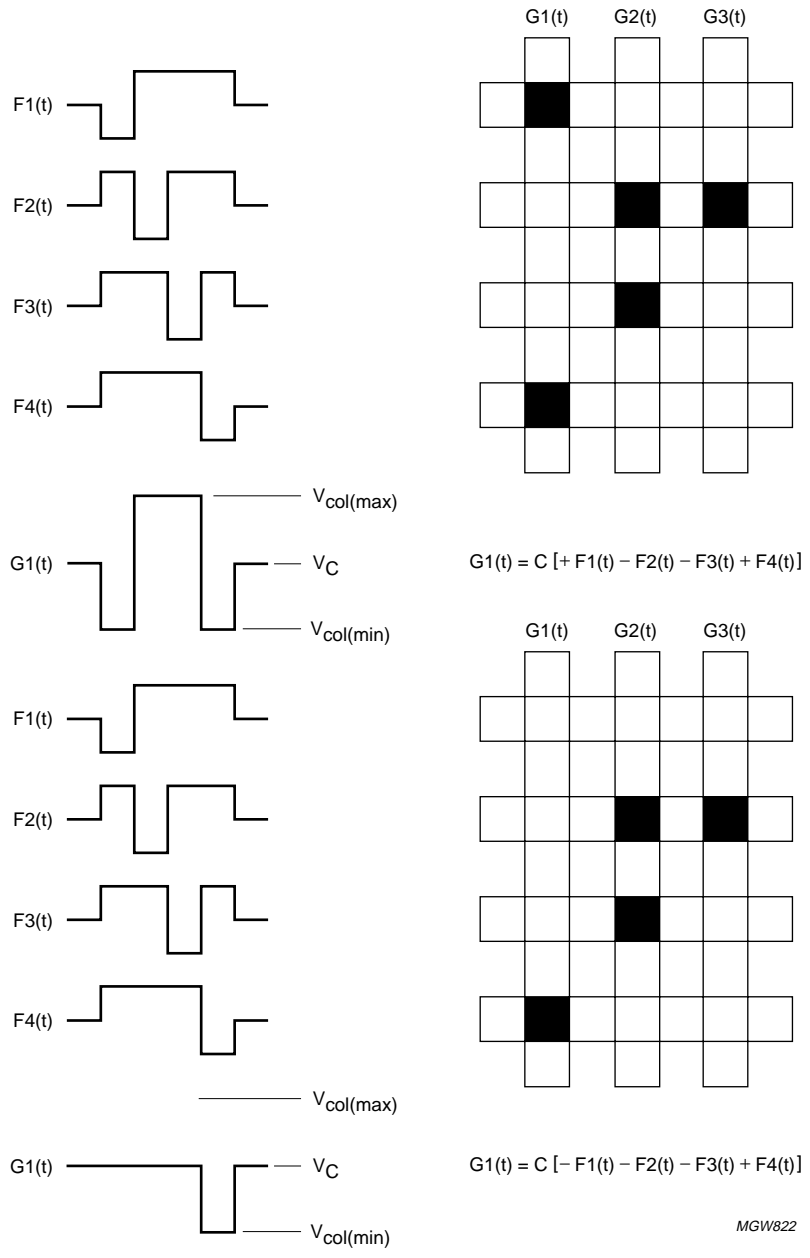


Fig.2 Typical MRA LCD driver waveforms for  $p = 4$ .



65 x 96 pixels matrix grey-scale LCD driver

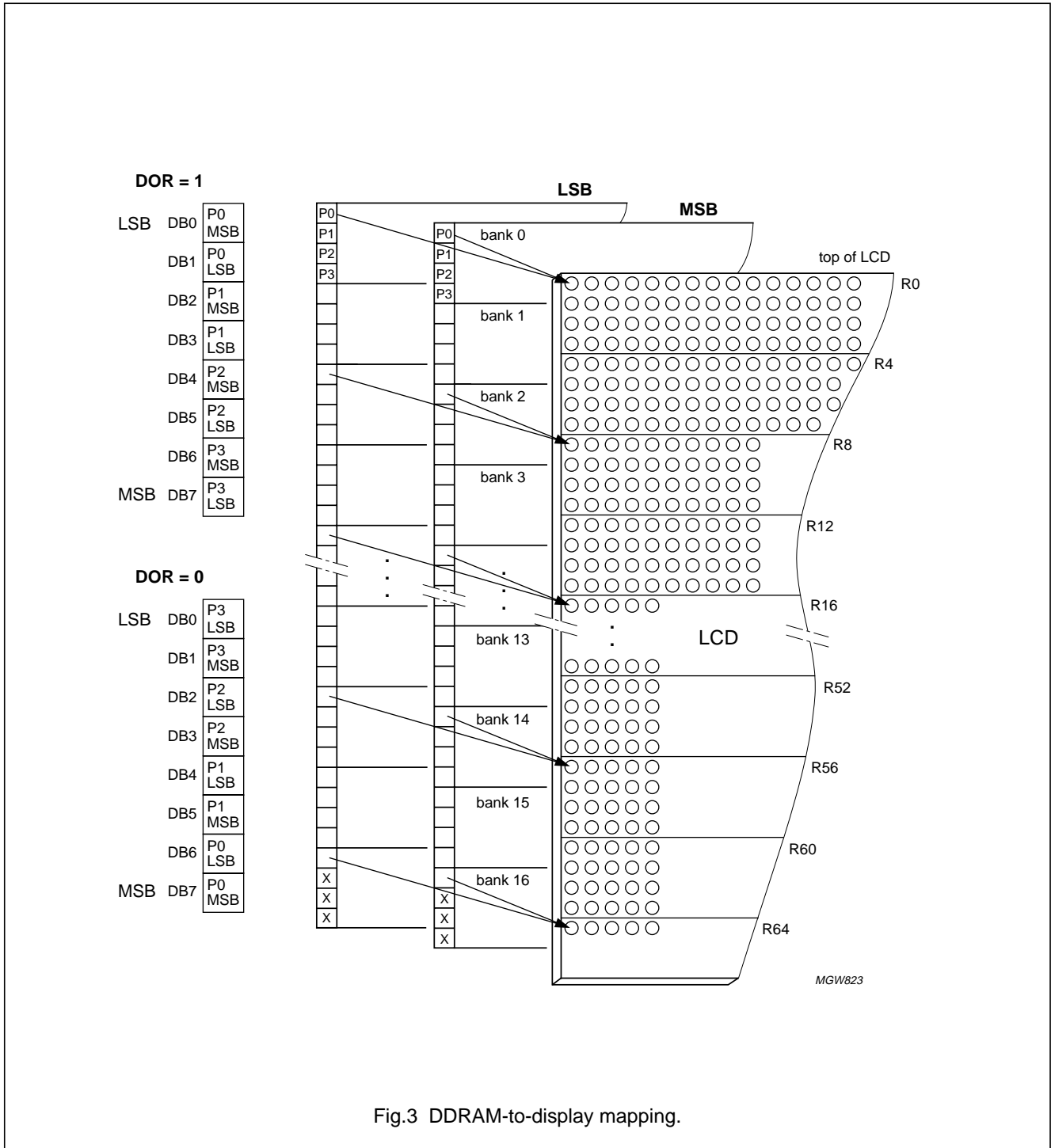
OM6208

8 RAM ADDRESSING

Data is downloaded in bytes into the RAM matrix of the OM6208 as indicated in Fig.3. The display RAM has a matrix of 65 × 96 × 2 bits. The columns are addressed by the address pointer. The address ranges (decimal values)

are X = 0 to 95 and Y = 0 to 16. The Y address represents the bank number. Addresses outside these ranges are not allowed.

The Data Order Bit (DOR) defines the bit order (LSB on top or MSB on top) for writing into the RAM.





65 x 96 pixels matrix grey-scale LCD driver

OM6208

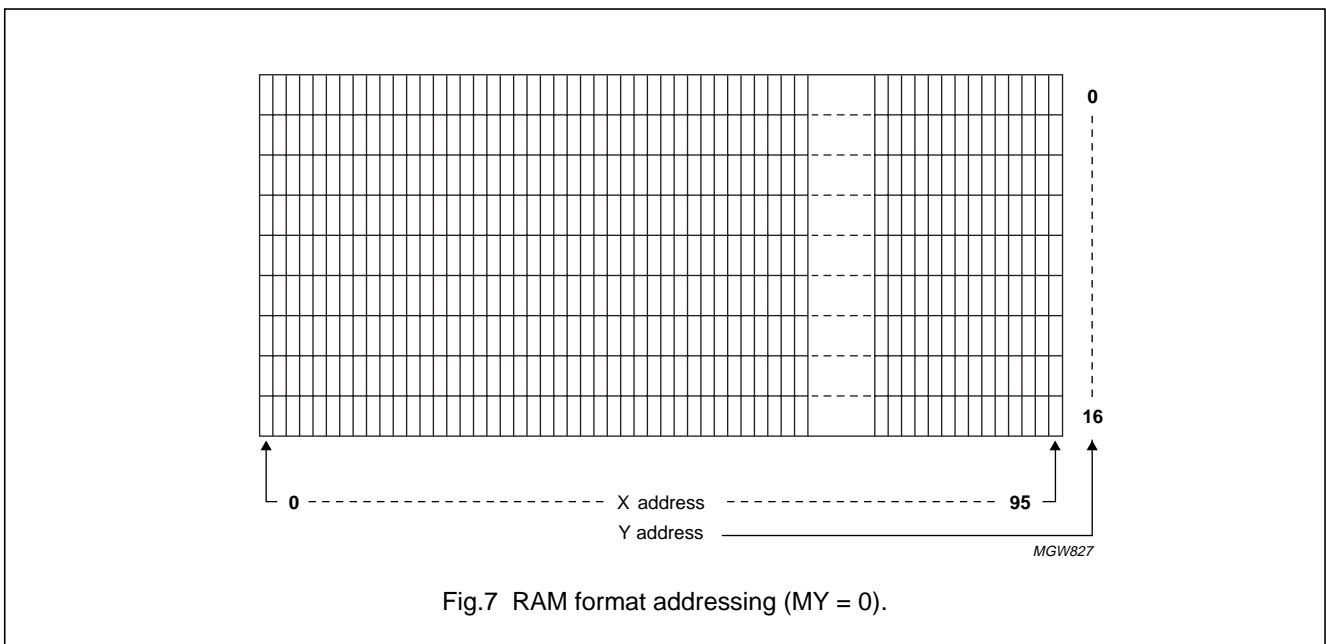
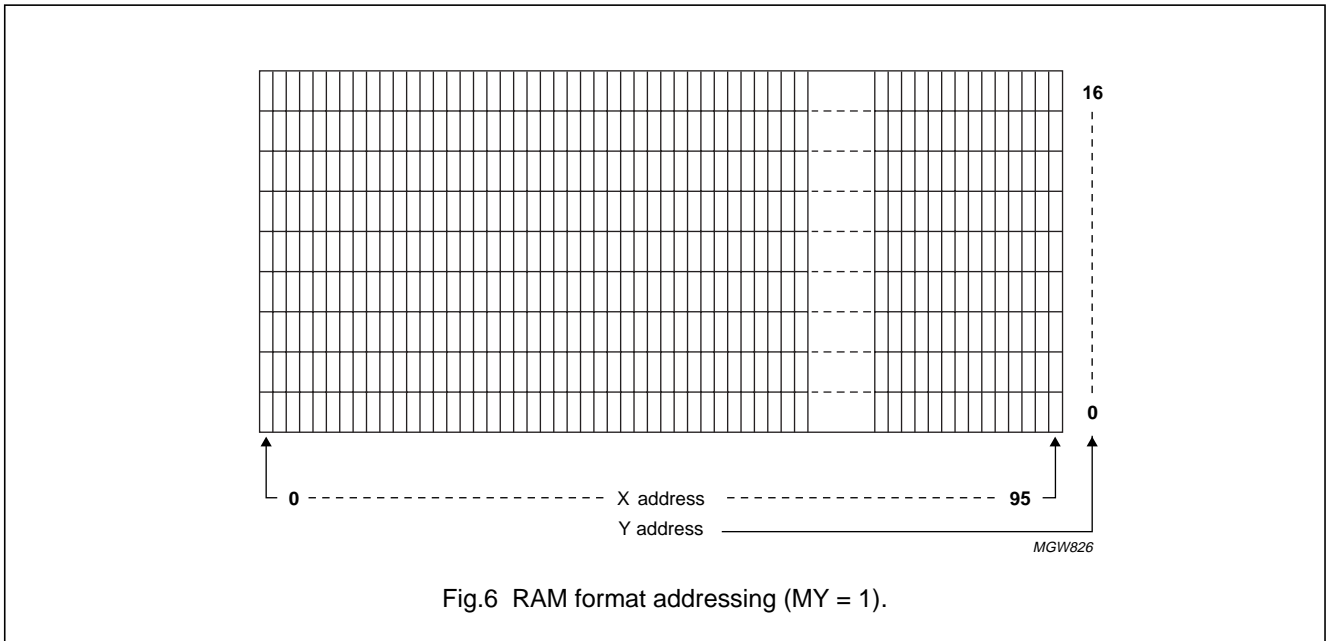
8.1.2 MIRROR Y

The Mirror Y (MY) bit allows vertical mirroring:

- When MY = 1, the Y address space is mirrored; the address Y = 0 is then located at the bottom of the display (see Fig.6)

- When MY = 0, the mirroring is disabled and the address Y = 0 is located at top of the display (see Fig.7).

Refer also to Section 11.6.



65 x 96 pixels matrix grey-scale LCD driver

OM6208

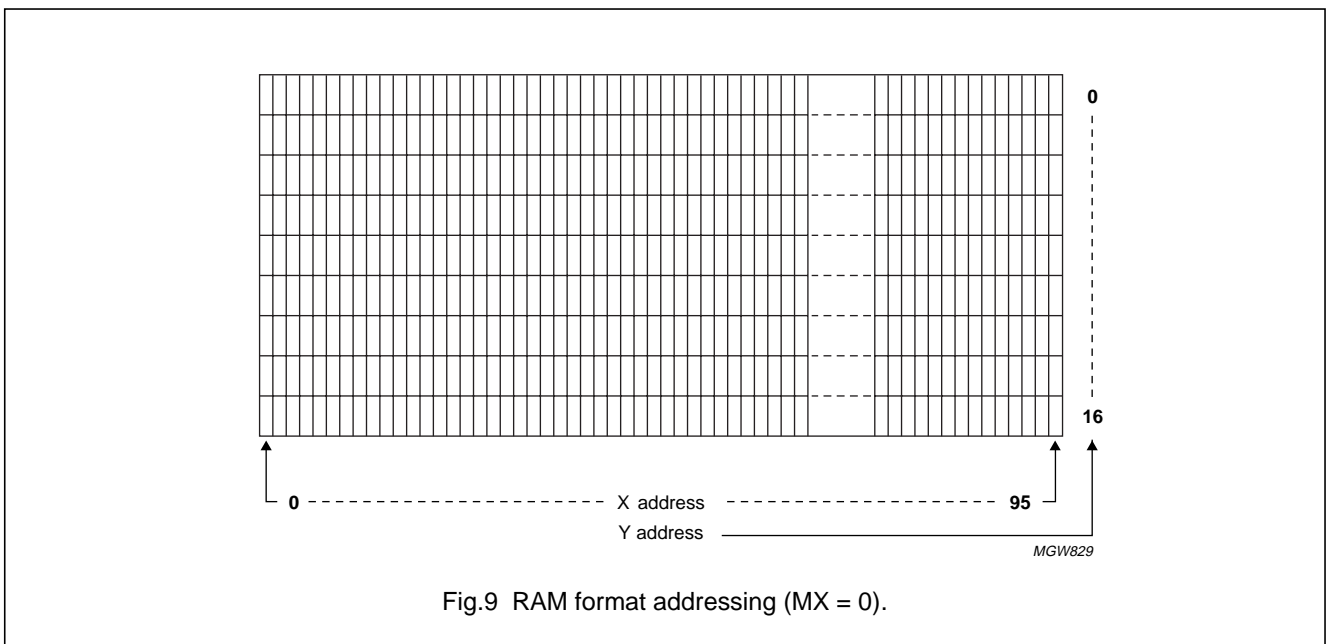
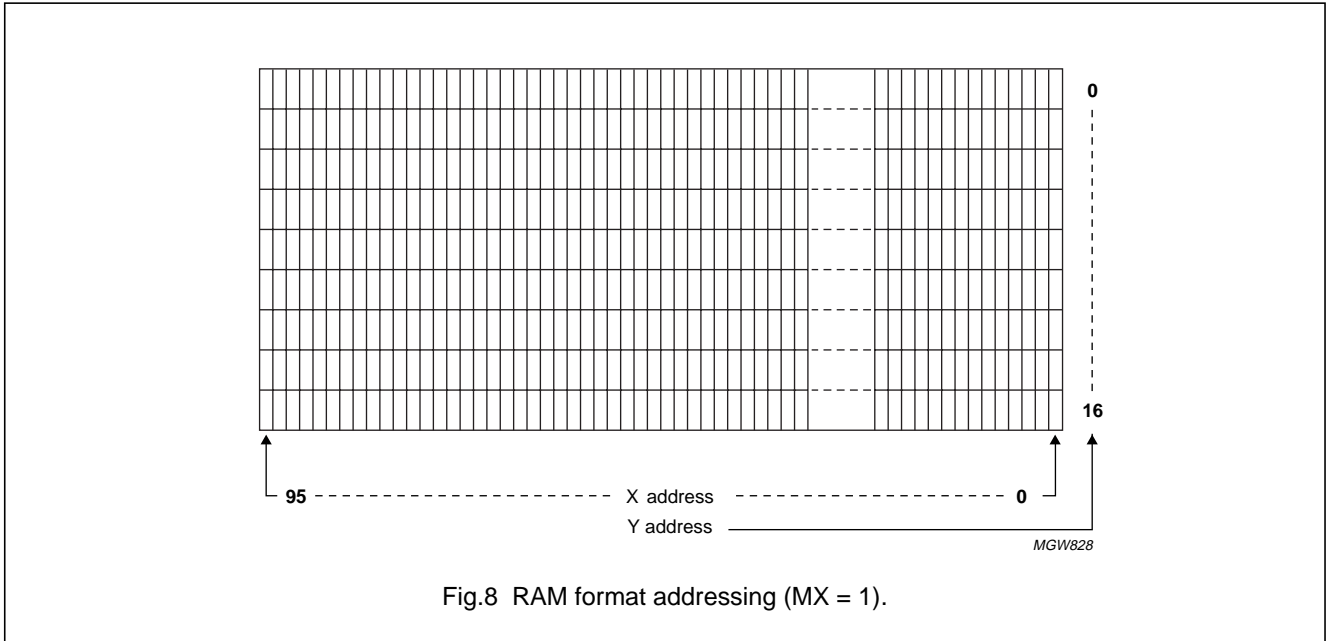
8.1.3 MIRROR X

The Mirror X (MX) input allows a horizontal mirroring:

- When MX = 1, the X address space is mirrored; the address X = 0 is then located at the right side ( $X_{max}$ ) of the display (see Fig.8)

- When MX = 0, the mirroring is disabled and the address X = 0 is located at the left side (column 0) of the display (see Fig.9).

Refer also to Section 11.6.



# 65 x 96 pixels matrix grey-scale LCD driver

# OM6208

## 9 SERIAL INTERFACING

Communication with the microcontroller can occur via a clock-synchronized serial peripheral interface. It is possible to select two different 3-line (SPI and serial interface) or a 4-line SPI interface. Selection is done via the PS[1:0] inputs.

### 9.1 Serial peripheral interface

The Serial Peripheral Interface (SPI) is a 3-line or 4-line interface for communication between the microcontroller and the LCD driver chip. Three lines are common to both 3-line and 4-line SPI, these are  $\overline{SCE}$  (chip enable), SCLK (serial clock) and SDATA (serial data). For the 4-line SPI a separate D/C line is added. The OM6208 is connected to the serial data I/O of the microcontroller by pads SDATA (data input) and SDO (data output) connected together.

#### 9.1.1 WRITE MODE

The display data/command indication may be controlled by software or by the D/C select pin. When the D/C pad is used, display data is transmitted when D/C is HIGH, and command data is transmitted when D/C is LOW (see Figs 10 and 11). When D/C is not used, the 'display data length' instruction is used to indicate that a specific number of display data bytes (1 to 255) are to be transmitted (see Fig.11). The next byte after the display data string is handled as an instruction command.

When the 3-line SPI interface is used the display data/command is controlled by software (see Fig.12).

If  $\overline{SCE}$  is pulled high during a serial display data stream, the interrupted byte is invalid data but all previously transmitted data is valid. The next byte received will be handled as an instruction command (see Fig.13).

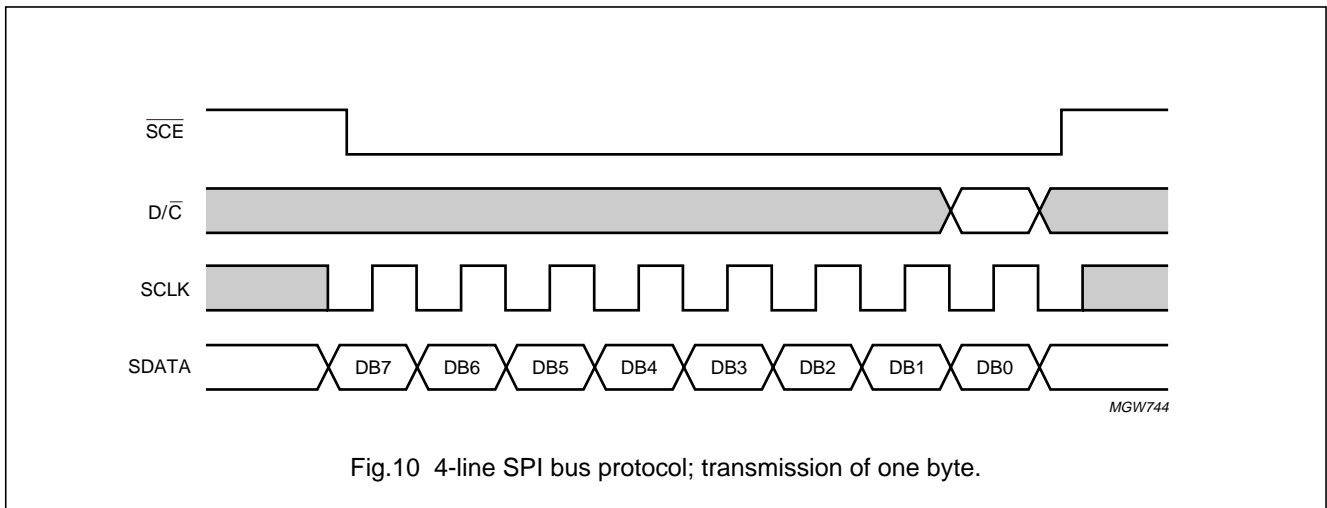


Fig.10 4-line SPI bus protocol; transmission of one byte.

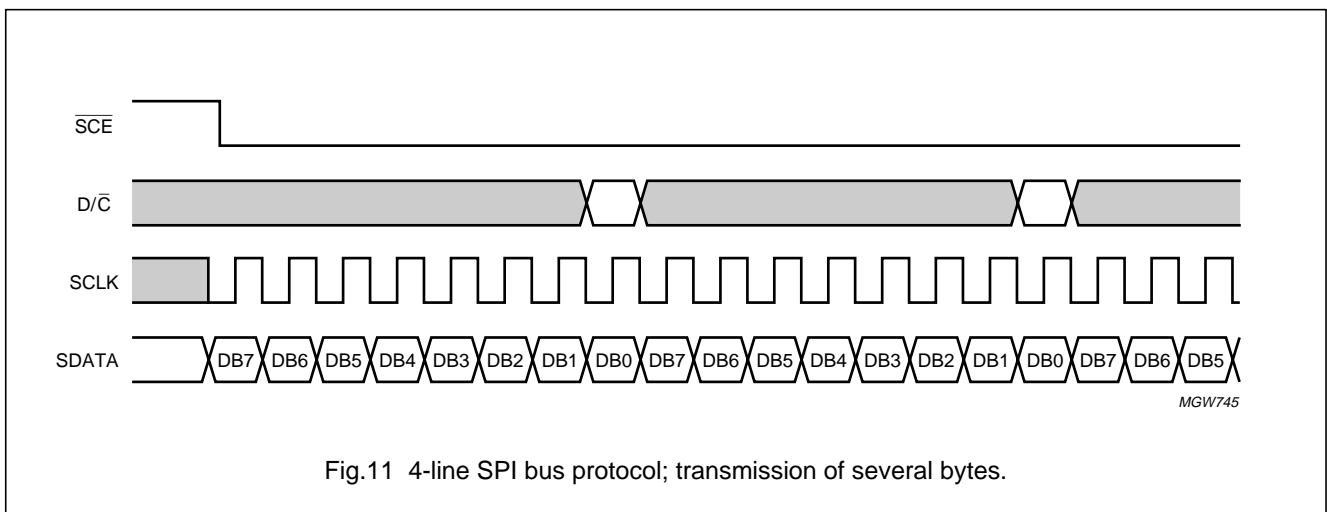


Fig.11 4-line SPI bus protocol; transmission of several bytes.

65 x 96 pixels matrix grey-scale LCD driver

OM6208

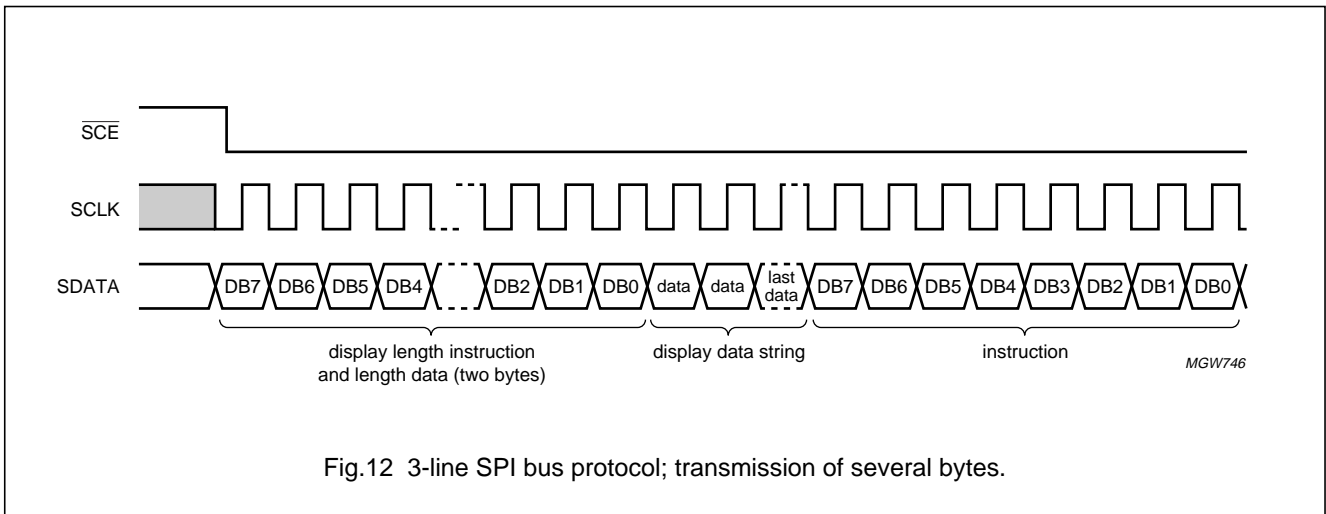


Fig.12 3-line SPI bus protocol; transmission of several bytes.

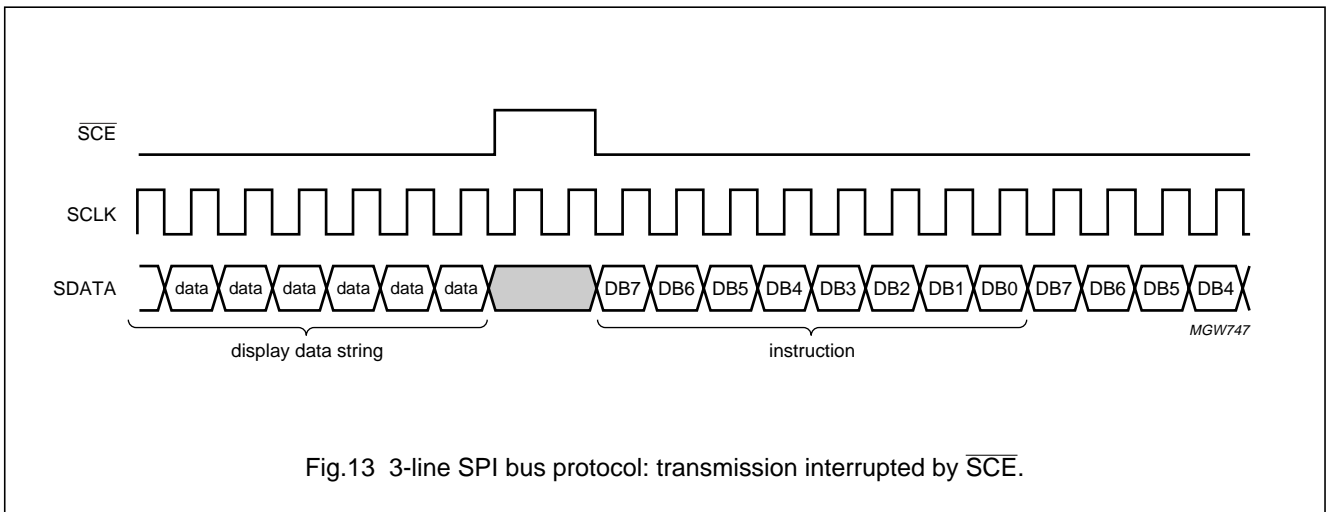


Fig.13 3-line SPI bus protocol: transmission interrupted by  $\overline{SCE}$ .

# 65 x 96 pixels matrix grey-scale LCD driver

# OM6208

## 9.1.2 READ MODE

The read mode of the interface means that the microcontroller reads data from the OM6208. To do so the microcontroller first has to send a command, the read status command, and then OM6208 will respond by transmitting data on the SDO line. After that,  $\overline{SCE}$  is required to go HIGH (see Fig.14).

The OM6208 samples the SDATA data at rising SCLK edges, but shifts SDO data at falling SCLK edges. Thus

the SDO data is available to be read by the microcontroller at rising SCLK edges.

After the read status command has been sent, the SDATA line must be set to 3-state (high-impedance) not later than at the falling SCLK edge of the last bit (see Fig.14).

For the read data format, see Section 9.2.3; the serial interface timing diagram is given in Chapter 15.

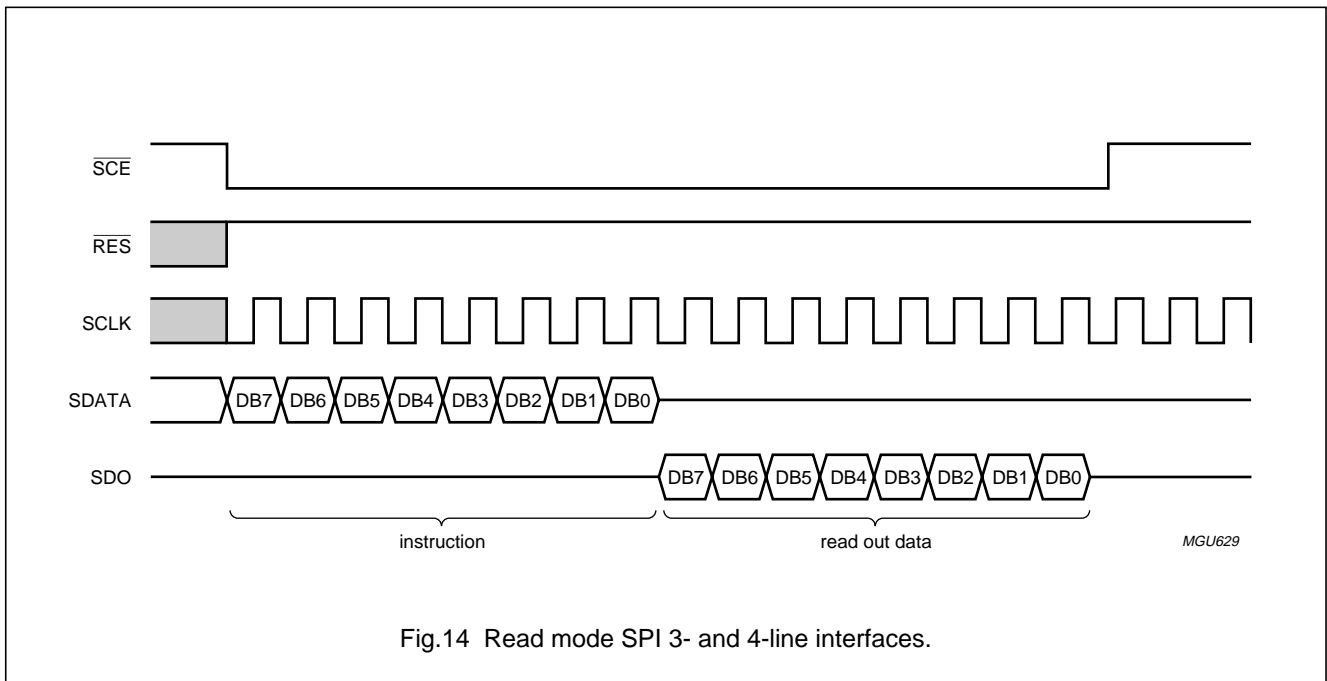


Fig.14 Read mode SPI 3- and 4-line interfaces.

# 65 x 96 pixels matrix grey-scale LCD driver

# OM6208

## 9.2 Serial interface (3-line)

The serial interface is also a 3-line bidirectional interface for communication between the microcontroller and the LCD driver chip. The three lines are  $\overline{SCE}$  (chip enable), SCLK (serial clock) and SDATA (serial data). The OM6208 is connected to the SDA of the microcontroller by the SDATA (data input) and SDO (data output) pads which are connected together.

### 9.2.1 WRITE MODE

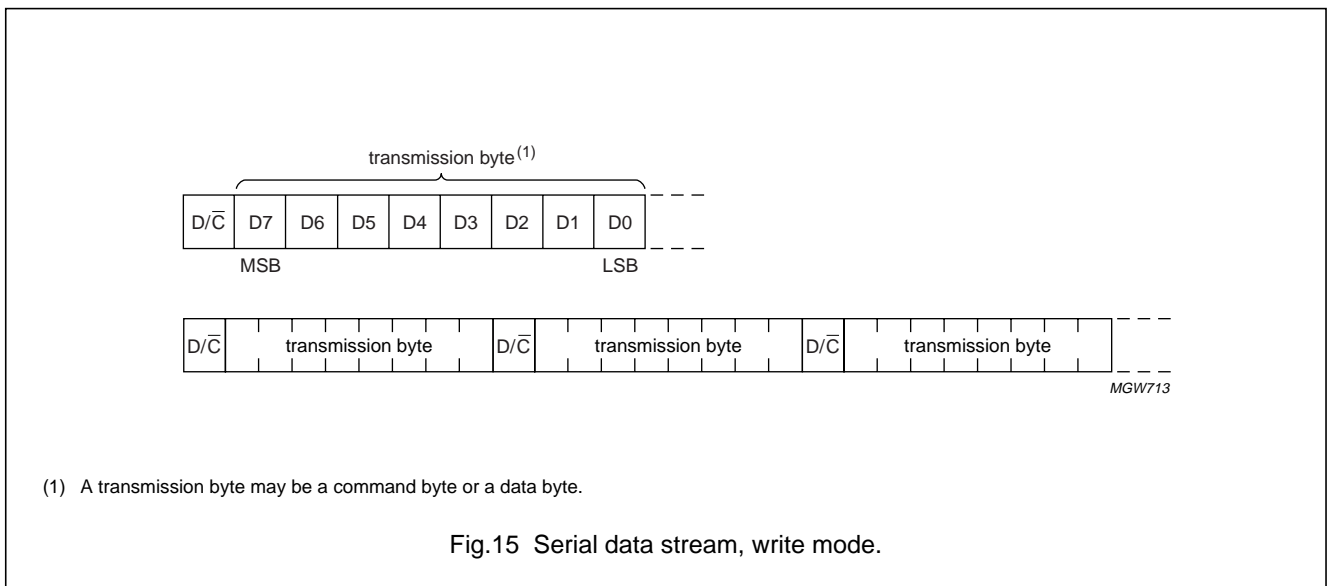
The write mode of the interface means that the microcontroller writes instructions and data to the OM6208. Each data packet contains a control bit  $D/\overline{C}$  and a transmission byte. If  $D/\overline{C}$  is LOW, the following byte is interpreted as command byte. The instruction set is given in Table 7. If  $D/\overline{C}$  is HIGH, the following byte is stored in the display data RAM. After every data byte the address counter is incremented automatically. The general format of the write mode and the definition of the transmission byte is shown in Fig.15.

Any instruction can be sent in any order to the OM6208. The MSB is transmitted first. The serial interface is initialized when  $\overline{SCE}$  is HIGH. In this state, SCLK clock

pulses have no effect and no power is consumed by the serial interface. A falling edge on  $\overline{SCE}$  enables the serial interface and indicates the start of data transmission.

Figures 16, 17 and 18 show the protocol of the write mode:

- When  $\overline{SCE}$  is HIGH, SCLK clocks are ignored. During the HIGH time of  $\overline{SCE}$  the serial interface is initialized (see Fig.16)
- At the falling  $\overline{SCE}$  edge, SCLK must be LOW (see Fig.32)
- SDATA is sampled at the rising edge of SCLK
- $D/\overline{C}$  indicates whether the byte is a command ( $D/\overline{C} = 0$ ) or RAM data ( $D/\overline{C} = 1$ ) byte; it is sampled with the first rising SCLK edge
- If  $\overline{SCE}$  stays LOW after the last bit of a command/data byte, the serial interface is ready for the  $D/\overline{C}$  bit of the next byte at the next rising edge of SCLK (see Fig.17)
- A reset pulse with  $\overline{RES}$  interrupts the transmission. The data being written into the RAM may be corrupted. The registers are cleared. If  $\overline{SCE}$  is LOW after the rising edge of  $\overline{RES}$ , the serial interface is ready to receive the  $D/\overline{C}$  bit of a command/data byte (see Fig.18).





65 x 96 pixels matrix grey-scale LCD driver

OM6208

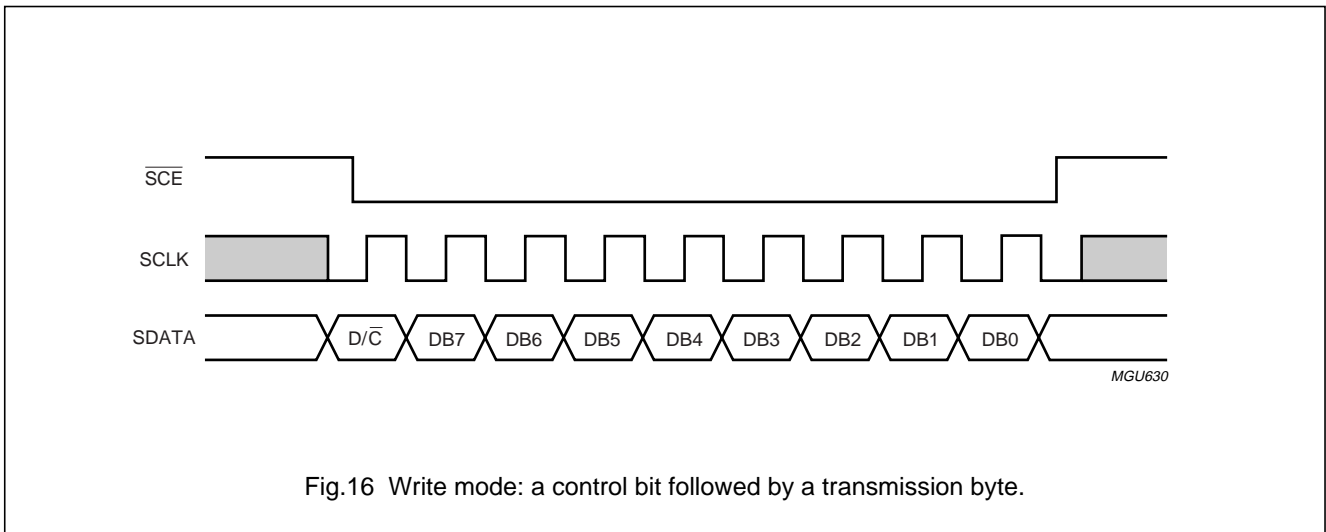


Fig.16 Write mode: a control bit followed by a transmission byte.

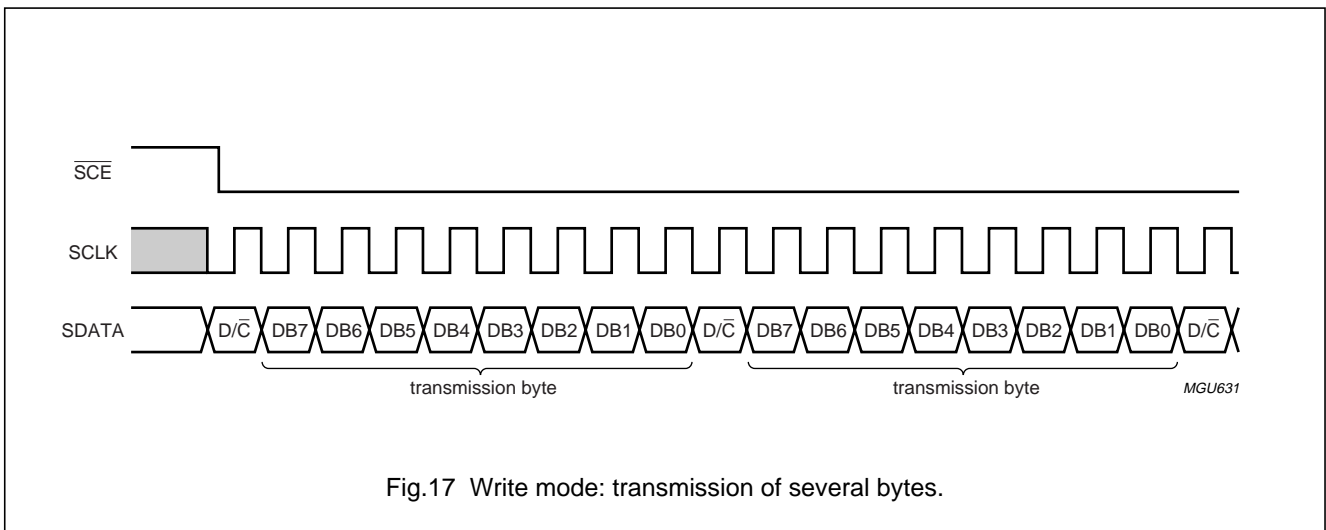


Fig.17 Write mode: transmission of several bytes.

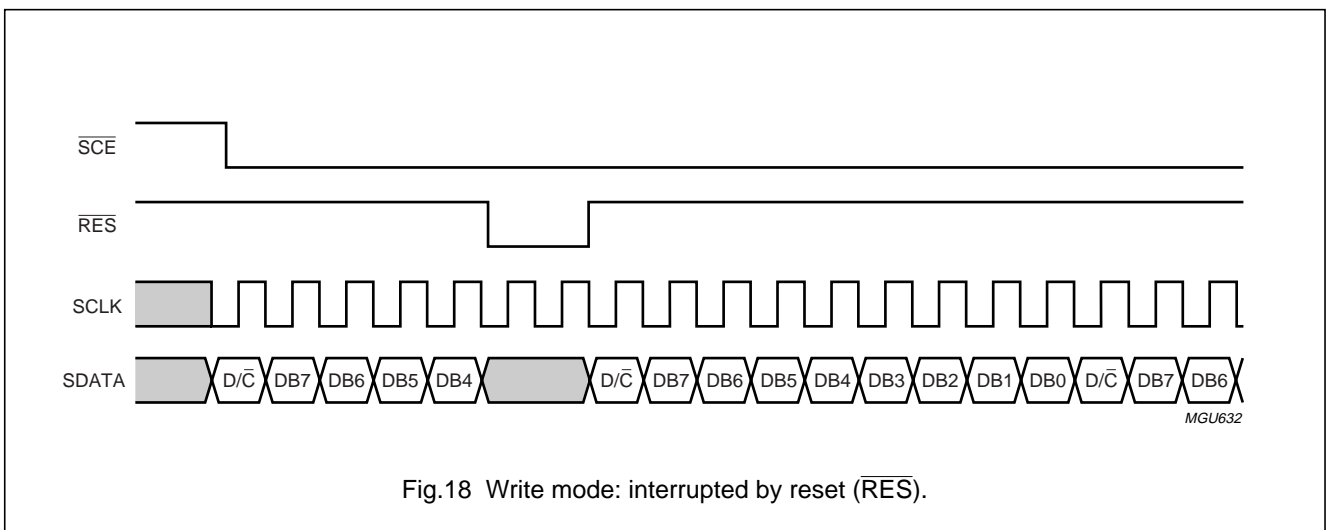


Fig.18 Write mode: interrupted by reset ( $\overline{\text{RES}}$ ).

65 x 96 pixels matrix grey-scale LCD driver

OM6208

9.2.2 READ MODE

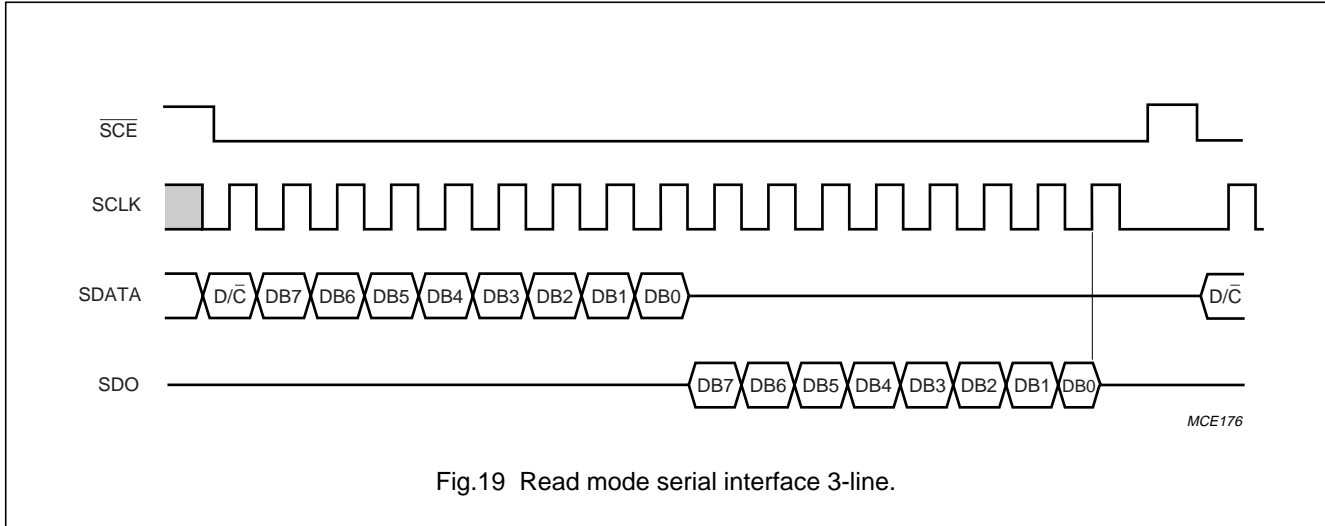


Fig.19 Read mode serial interface 3-line.

The read mode of the interface means that the microcontroller reads data from the OM6208. To do so the microcontroller first has to send a command, the read status command, and then the following byte is transmitted in the opposite direction using SDO (see Fig.19). After that, SCE is required to go HIGH before a new command is sent.

The OM6208 samples the SDATA data at rising SCLK edges and shifts SDO data at falling SCLK edges. Thus the SDO data is available for the microcontroller to read at rising SCLK edges.

After the read status command has been sent, the SDATA line must be set to 3-state not later then at the falling SCLK edge of the last bit (see Fig.19).

The 8th read bit is shorter than the others because it is terminated by the rising SCLK edge (see Fig.35). The last rising SCLK edge sets SDO to 3-state after the delay time  $t_4$ .

9.2.3 READ DATA FORMAT

Regardless of which serial interface is used there are five bits that can be read (ID1 to ID4 and VM) and one temperature register. For the bits, one bit is transmitted per byte read and is selected by issuing the appropriate read instruction from the instruction set. Bits ID1 and ID2 are hard-wired so that ID1 always returns a logic 0 and ID2 always returns a logic 1. Bits ID3 and ID4 are the identification bits and are set via ID3/SA0 and ID4/SA1 pads. The format for the read bit, B, is shown in Table 2.

Table 2 Read data format

D7 (MSB)	D6	D5	D4	D3	D2	D1	D0 (LSB)
x <sup>(1)</sup>	B	B	B	B	B	B	B

Note

1. x = undefined.

Table 3 Read temperature sensor

Sending the instruction to read back the temperature sensor data will select the following status byte.

D7 (MSB)	D6	D5	D4	D3	D2	D1	D0 (LSB)
x <sup>(1)</sup>	TD[6]	TD[5]	TD[4]	TD[3]	TD[2]	TD[1]	TD[0]

Note

1. x = undefined.

# 65 x 96 pixels matrix grey-scale LCD driver

# OM6208

## 10 I<sup>2</sup>C-BUS INTERFACE

### 10.1 Characteristics of the I<sup>2</sup>C-bus (Hs-mode)

The I<sup>2</sup>C-bus Hs-mode is for bidirectional, two-line communication between different ICs or modules with speeds up to 3.4 MHz. The only difference between Hs-mode slave devices and F/S-mode slave devices is the speed at which they operate, therefore the buffers on the SDAH output have an open drain. This is the same for I<sup>2</sup>C-bus master devices which have an open-drain SDAH output and a combination of an open-drain pull-down and current source pull-up circuits on the SCLH output. Only the current source of one master is enabled at any one time and only during Hs-mode. Both lines must be connected to a positive supply via a pull-up resistor.

Data transfer may be initiated only when the bus is not busy.

### 10.1.1 SYSTEM CONFIGURATION

Definition (see Fig.20):

- Transmitter: the device that sends the data to the bus
- Receiver: the device that receives the data from the bus
- Master: the device that initiates a transfer, generates clock signals and terminates a transfer
- Slave: the device addressed by a master
- Multi-master: more than one master can attempt to control the bus at the same time without corrupting the message
- Arbitration: procedure to ensure that, if more than one master simultaneously tries to control the bus, only one is allowed to do so and the message is not corrupted
- Synchronisation: procedure to synchronize the clock signals of two or more devices.

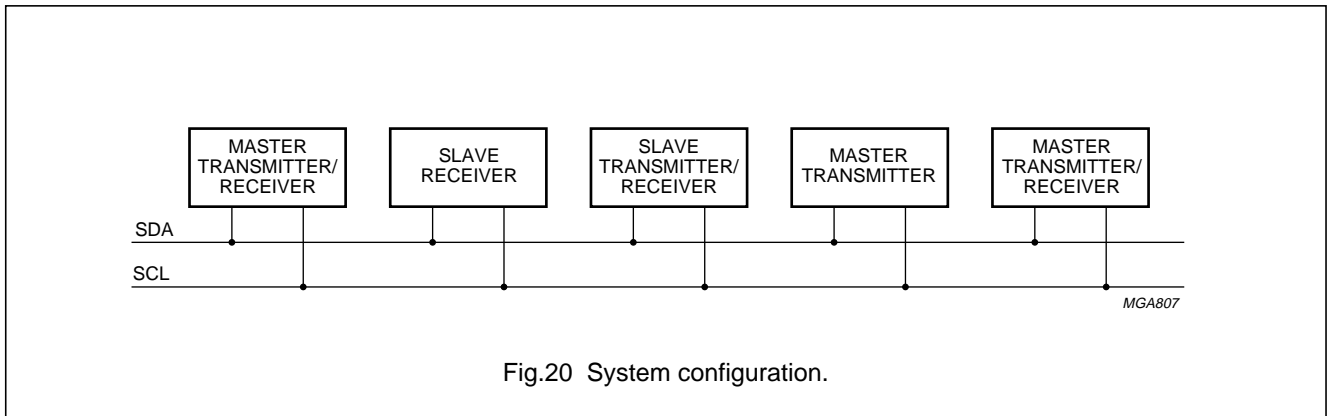


Fig.20 System configuration.

### 10.1.2 BIT TRANSFER

One data bit is transferred during each clock pulse (see Fig.21). The data on the SDAH line must remain stable

during the HIGH period of the clock pulse as changes in the data line at this time will be interpreted as a control signal.

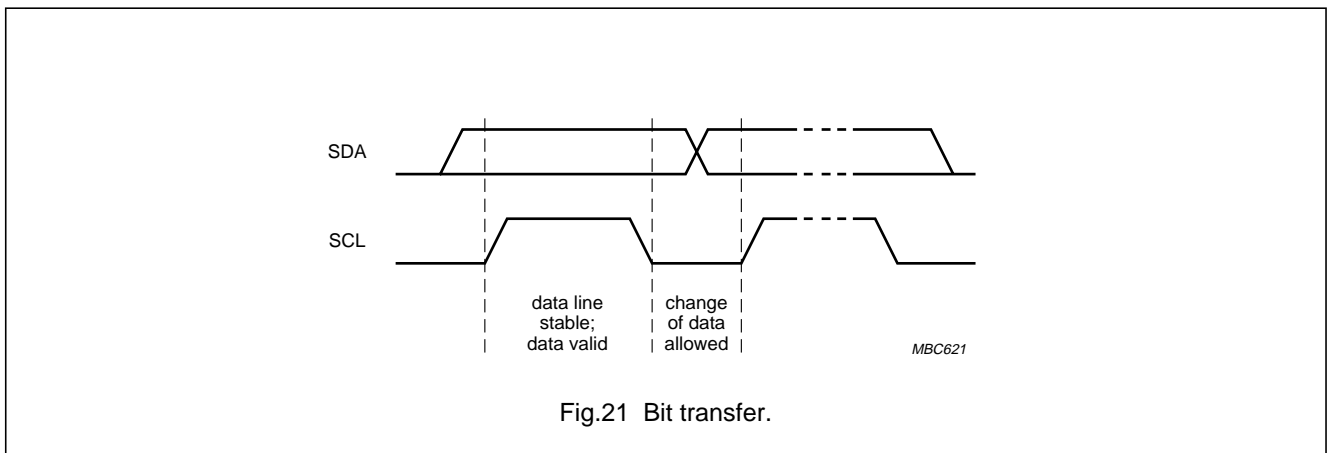


Fig.21 Bit transfer.

# 65 x 96 pixels matrix grey-scale LCD driver

# OM6208

### 10.1.3 START AND STOP CONDITIONS

Both data and clock lines remain HIGH when the bus is not busy (see Fig.22). A HIGH-to-LOW transition of the data

line, while the clock is HIGH is defined as the START condition (S). A LOW-to-HIGH transition of the data line while the clock is HIGH is defined as the STOP condition (P).

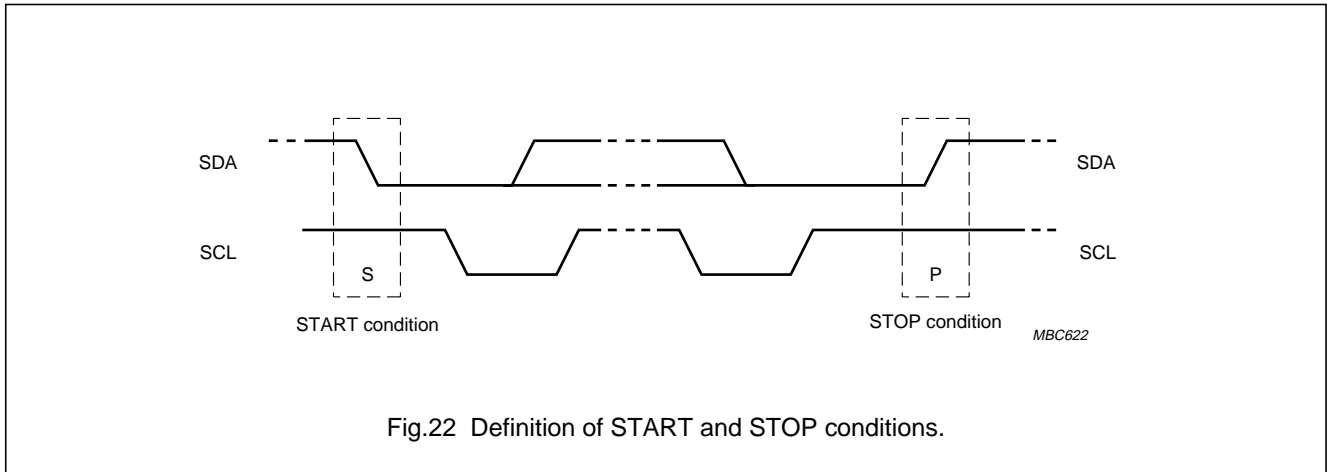


Fig.22 Definition of START and STOP conditions.

### 10.1.4 ACKNOWLEDGE

Each byte of 8 bits is followed by an acknowledge bit (see Fig.23). The acknowledge bit is a HIGH signal put on the bus by the transmitter during which time the master generates an extra acknowledge related clock pulse. A slave receiver which is addressed must generate an acknowledge after the reception of each byte. Also a master receiver must generate an acknowledge after the reception of each byte that has been clocked out of the

slave transmitter. The device that acknowledges must pull-down the SDA line during the acknowledge clock pulse, so that the SDA line is stable LOW during the HIGH period of the acknowledge related clock pulse (set-up and hold times must be taken into consideration). A master receiver must signal an end of data to the transmitter by not generating an acknowledge on the last byte that has been clocked out of the slave. In this event the transmitter must leave the data line HIGH to enable the master to generate a stop condition.

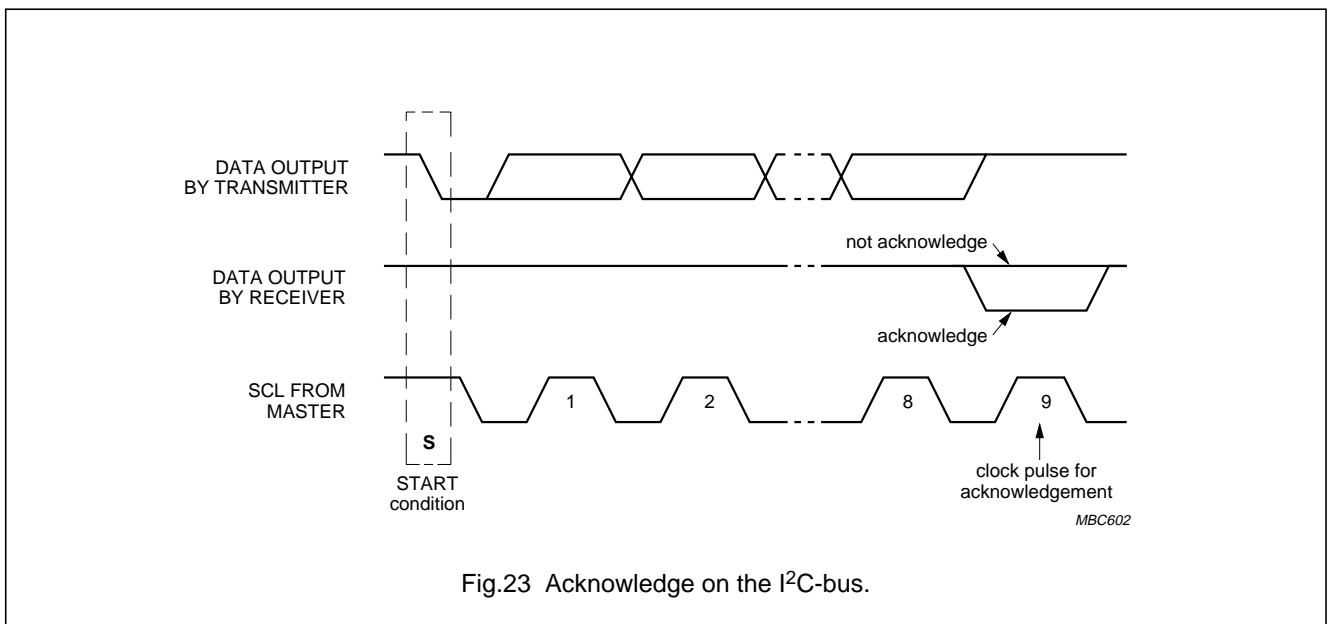


Fig.23 Acknowledge on the I<sup>2</sup>C-bus.

65 x 96 pixels matrix grey-scale LCD driver

OM6208

10.2 I<sup>2</sup>C-bus Hs-mode protocol

The OM6208 is a slave receiver/transmitter. If data is to be read from the device the SDAHOUT and SDAH pads must be connected for acknowledge to be used (see Table 1, note 6).

Hs-mode can only commence after the following conditions.

- START condition (S)
- 8-bit master code (00001XXX)
- not-acknowledge bit ( $\bar{A}$ ).

The master code has two functions as shown in Figs 24 and 25, it allows arbitration and synchronization between competing masters at F/S-mode speeds, resulting in one winner. Also the master code indicates the beginning of an Hs-mode transfer.

As no device is allowed to acknowledge the master code, then a master code transmission must be followed by a not-acknowledge ( $\bar{A}$ ). After this  $\bar{A}$  bit, and the SCLH line has been pulled up to a HIGH level, the active master switches to Hs-mode and enables at  $t_H$  the current-source pull-up circuit for the SCLH signal (see Fig.25).

The active master will then send a repeated START condition (Sr) followed by a 7-bit slave address with a

$R/\bar{W}$  bit, and receives an acknowledge bit (A) from the selected slave. After each acknowledge bit (A) or not-acknowledge bit ( $\bar{A}$ ) the active master disables its current-source pull-up circuit. The active master re-enables its current source again when all devices have released and the SCLH signal reaches a HIGH level. The rising of the SCLH is done by a resistor pull-up and so is slower, the last part of the SCLH rise time is speeded up because the current source is enabled. Data transfer only switches back to F/S-mode after a STOP (P) condition.

The write sequence that occurs after the Hs-mode is selected is shown in Fig.26. The sequence is initiated with a START (S) condition from the I<sup>2</sup>C-bus master which is followed by the slave address. All slaves with the corresponding address acknowledge in parallel, all the others will ignore the I<sup>2</sup>C-bus transfer.

After an acknowledgement cycle of a write ( $\bar{W}$ ), one or more command words follow which define the status of the addressed slaves. A command word consists of a control byte, which defines Co and D/ $\bar{C}$ , plus a data byte (see Fig.26 and Table 4).

The last control byte is tagged with a cleared most significant bit, the continuation bit Co. The control and data bytes are also acknowledged by all addressed slaves on the bus.

Table 4 Co and Sr definition

Co	D/ $\bar{C}$	R/W	ACTION
0	–	–	last control byte to be sent; only a stream of data bytes are allowed to follow; this stream may only be terminated by a STOP or repeated START condition
1	–	–	another control byte will follow the data byte unless a STOP or repeated START condition is received
–	0	0	data byte will be decoded and used to set up the device
		1	data byte will return the status byte
–	1	0	data byte will be stored in the display RAM
		1	RAM read back is not supported

After the last control byte, depending on the D/ $\bar{C}$  bit setting, a series of display data bytes or command data bytes may follow. If the Sr bit was set to logic 1, these display bytes are stored in the display RAM at the address specified by the data pointer. The data pointer is automatically updated and the data is directed to the intended OM6208 device. If the Sr bit of the last control byte was set to logic 0, these command bytes will be decoded and the setting of the device will be changed according to the received commands. The acknowledgement after each byte is made only by the addressed OM6208. At the end of the

transmission the I<sup>2</sup>C-bus master issues a STOP condition (P) and switches back to F/S-mode, however, to reduce the overhead of the master code, it is possible that a master links a number of Hs-mode transfers, separated by repeated START conditions (Sr).

A read sequence (see Fig.27) follows after the Hs-mode is selected. The OM6208 will immediately start to output the requested data until a not acknowledge is transmitted by the master. The write access should be terminated by a repeated START condition so that the Hs-mode is not disabled.

65 x 96 pixels matrix grey-scale LCD driver

OM6208

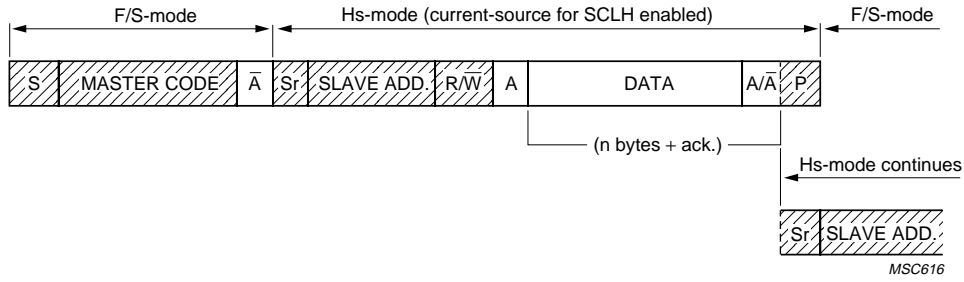


Fig.24 Data transfer format in Hs-mode.

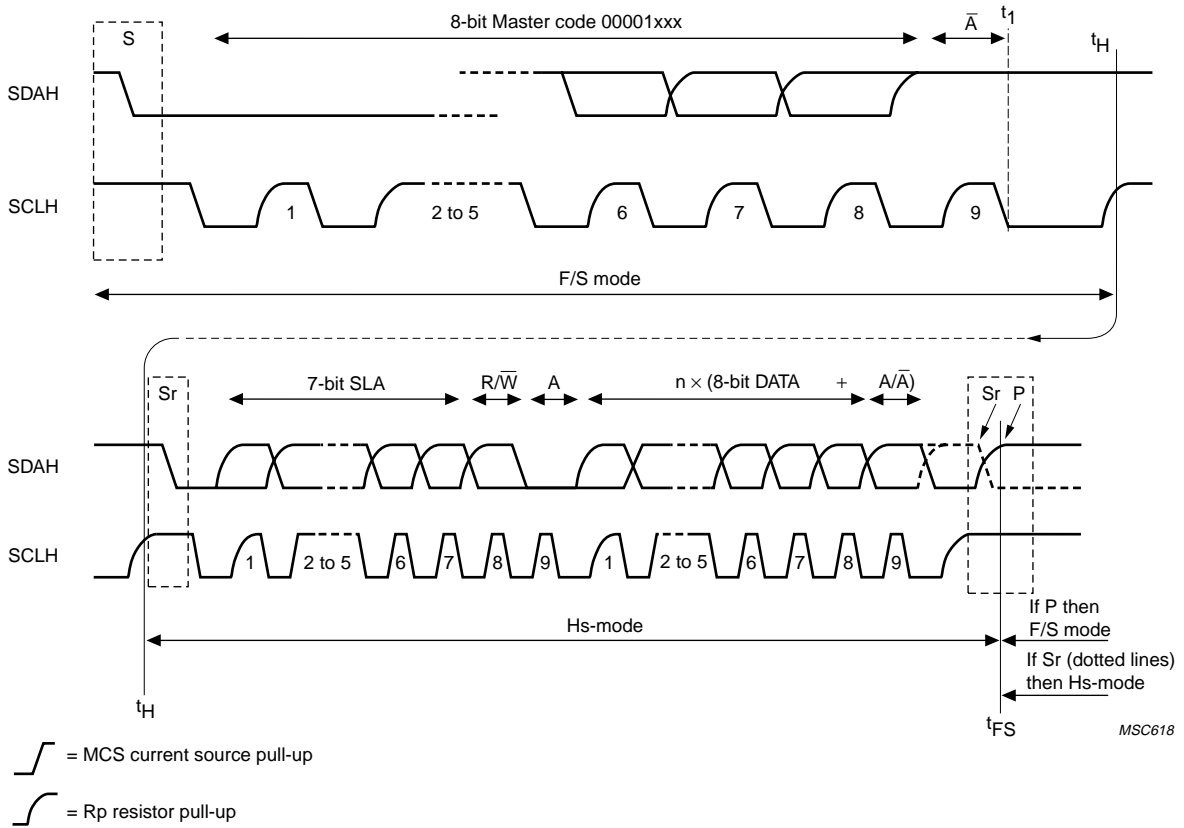


Fig.25 Complete data transfer in Hs-mode.

65 x 96 pixels matrix grey-scale LCD driver

OM6208

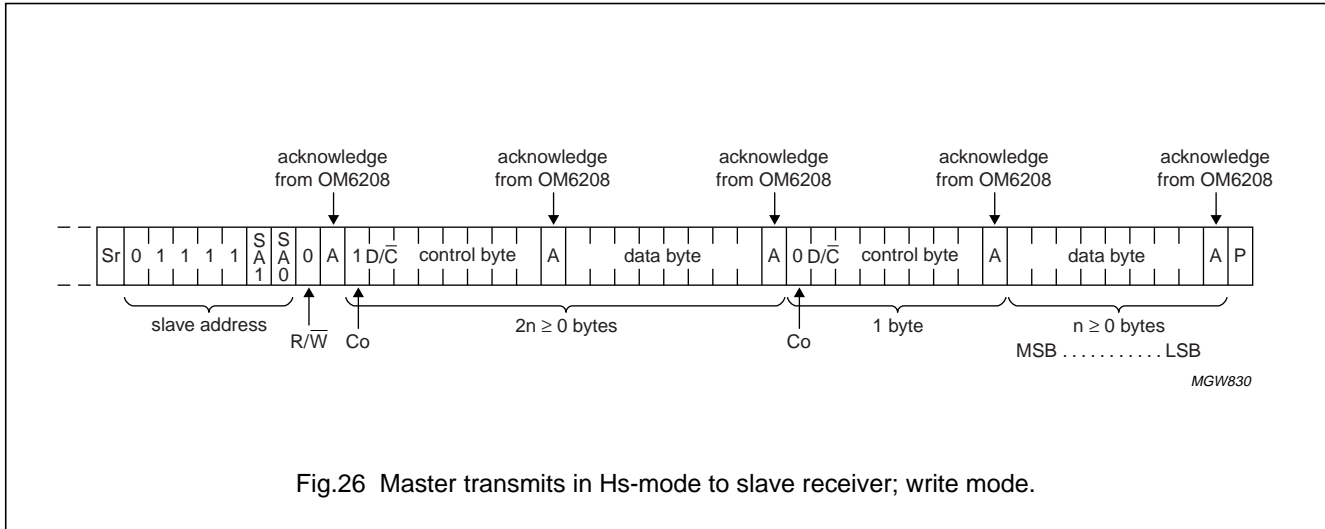
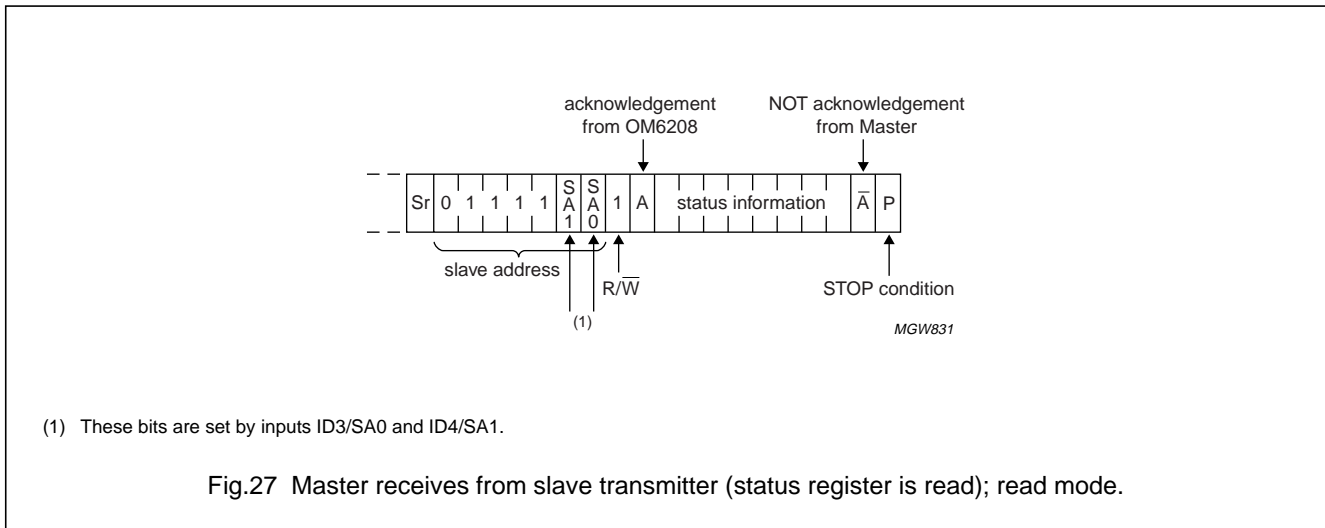


Fig.26 Master transmits in Hs-mode to slave receiver; write mode.



(1) These bits are set by inputs ID3/SA0 and ID4/SA1.

Fig.27 Master receives from slave transmitter (status register is read); read mode.

**10.3 Command decoder**

The command decoder identifies command words that arrive on the I<sup>2</sup>C-bus:

- Pairs of bytes
  - first byte determines whether information is display or instruction data
  - 2nd byte contains information.
- Stream of information bytes after Co = 0; display or instruction data depending on last D/C-bar.

The most-significant bit of a control byte is the continuation bit Co. If this bit is logic 1, it indicates that only one byte, either command or RAM-data, will follow. If this bit is logic 0, it indicates that a series of bytes, either command or RAM-data, may follow. The DB6 bit of a control byte is the RAM-data/command bit D/C-bar. When this bit is logic 1, it indicates that a RAM-data byte will be transferred next. If the bit is logic 0, it indicates that a command byte will be transferred next.

65 x 96 pixels matrix grey-scale LCD driver

OM6208

**10.4 Read mode**

I<sup>2</sup>C-bus read mode operates differently from the other interfaces. Two different status bytes can be read back and are selected by first sending a 'read' instruction. A repeated START or STOP and START must then be generated followed by the slave address with the R/W bit set to read in order to read the status register.

Sending the instruction to read ID1, ID2 and VM will select the status byte shown in Table 5.

Sending the instruction to read back the temperature sensor will select the status byte shown in Table 6.

**Table 5** Read status byte ID1, ID2 and VM

D7 (MSB)	D6	D5	D4	D3	D2	D1	D0 (LSB)
x <sup>(1)</sup>	x <sup>(1)</sup>	x <sup>(1)</sup>	x <sup>(1)</sup>	x <sup>(1)</sup>	VM	ID2 <sup>(2)</sup>	ID1 <sup>(2)</sup>

**Notes**

1. x = undefined.
2. Bits ID3 and ID4 are not available for I<sup>2</sup>C-bus because they are used to make up the two LSBs of the slave address.

**Table 6** Read temperature sensor

D7 (MSB)	D6	D5	D4	D3	D2	D1	D0 (LSB)
x <sup>(1)</sup>	TD[6]	TD[5]	TD[4]	TD[3]	TD[2]	TD[1]	TD[0]

**Note**

1. x = undefined.



## 65 x 96 pixels matrix grey-scale LCD driver

## OM6208

## 11 INSTRUCTIONS

The OM6208 may be interfaced via 3-line or 4-line Serial Peripheral Interface (SPI), 3-line serial interface or I<sup>2</sup>C-bus interface. In all cases, processing of instructions is asynchronous and does not require the internal/external oscillator to be running.

Data transmission to OM6208 may be of two types, those that define the operating mode of the device (commands) and those that fill display RAM (data). Table 7 lists all commands that are recognised by OM6208.

The Most Significant Bit (MSB) is sent first. The mode in which the D/C bit is defined varies with the type of serial interface that is used.

D/C bit definitions:

- With 4-line SPI interface selected, the D/C bit is implemented as hard-wired input at pad D/C
- With 3-line SPI interface selected, the D/C bit is not implemented and all transmission are commands by default unless preceded by the Display data length command
- With 3-line serial and I<sup>2</sup>C-bus interface selected, the D/C bit is implemented through the interface protocol.

Commands can consist of one byte (single-byte) and two bytes (double-byte). Unless otherwise specified, commands may be executed in any order.

**Table 7** Instruction set

Instructions not expressly defined in this table and reserved instructions must not be used.

COMMAND NAME	D/C	COMMAND BYTE								FUNCTION DESCRIPTION
		(MSB)	D6	D5	D4	D3	D2	D1	D0 (LSB)	
Write data	1	D <sub>7</sub>	D <sub>6</sub>	D <sub>5</sub>	D <sub>4</sub>	D <sub>3</sub>	D <sub>2</sub>	D <sub>1</sub>	D <sub>0</sub>	RAM data
Horizontal addressing	0	0	0	0	0	X <sub>3</sub>	X <sub>2</sub>	X <sub>1</sub>	X <sub>0</sub>	set X address; lower 4 bits
Horizontal addressing	0	0	0	0	1	δ <sup>(1)</sup>	X <sub>6</sub>	X <sub>5</sub>	X <sub>4</sub>	set X address; upper 3 bits
Power control	0	0	0	1	0	1	PC	δ <sup>(1)</sup>	δ <sup>(1)</sup>	charge pump on/off
Charge pump control	0	0	0	1	1	1	1	0	1	set multiplication factor
	0	δ <sup>(1)</sup>	δ <sup>(1)</sup>	δ <sup>(1)</sup>	δ <sup>(1)</sup>	δ <sup>(1)</sup>	δ <sup>(1)</sup>	S <sub>1</sub>	S <sub>0</sub>	
Set V <sub>PR</sub>	0	0	0	1	0	0	V <sub>pr7</sub>	V <sub>pr6</sub>	V <sub>pr5</sub>	write V <sub>pr</sub> register
Set V <sub>PR</sub>	0	1	0	0	V <sub>pr4</sub>	V <sub>pr3</sub>	V <sub>pr2</sub>	V <sub>pr1</sub>	V <sub>pr0</sub>	write V <sub>pr</sub> register
Set bias	0	0	0	1	1	0	BS <sub>2</sub>	BS <sub>1</sub>	BS <sub>0</sub>	set bias
Display mode	0	1	0	1	0	0	1	0	DAL	all on/normal display
Display mode	0	1	0	1	0	0	1	1	E	normal/inverse display
Display mode	0	1	0	1	0	1	1	1	DON	display ON/OFF
Data order	0	1	0	1	0	1	0	0	DOR	swap RAM MSB/LSB order
RAM addressing	0	1	0	1	0	1	0	1	V	vertical or horizontal mode
Vertical addressing	0	1	0	1	1	Y <sub>3</sub>	Y <sub>2</sub>	Y <sub>1</sub>	Y <sub>0</sub>	set Y address
Vertical addressing	0	0	0	1	1	1	1	1	Y <sub>4</sub>	set Y address
Vertical mirroring	0	1	1	0	0	MY	δ <sup>(1)</sup>	δ <sup>(1)</sup>	δ <sup>(1)</sup>	mirror Y
ID read	0	1	1	0	1	1	0	1	0	identification: ID1 <sup>(2)(3)</sup>
ID read	0	1	1	0	1	1	0	1	1	identification: ID2 <sup>(2)(3)</sup>
ID read	0	1	1	0	1	1	1	0	0	identification: ID3 <sup>(2)</sup>
ID read	0	1	1	0	1	1	1	0	1	identification: ID4 <sup>(2)</sup>
Temperature sense	0	1	1	0	1	1	1	1	0	temperature read back
VM read	0	1	1	0	1	1	1	1	1	voltage monitor <sup>(3)(4)</sup>
Row control	0	1	1	1	0	0	0	0	BRS	swap the bottom rows

## 65 x 96 pixels matrix grey-scale LCD driver

## OM6208

COMMAND NAME	D/C	COMMAND BYTE								FUNCTION DESCRIPTION
		(MSB)	D6	D5	D4	D3	D2	D1	D0 (LSB)	
Software reset	0	1	1	1	0	0	0	1	0	internal reset
NOP	0	1	1	1	0	0	0	1	1	no operation
Display data length	0	1	1	1	0	1	0	0	0	display data length for 3-line SPI
	0	D <sub>7</sub>	D <sub>6</sub>	D <sub>5</sub>	D <sub>4</sub>	D <sub>3</sub>	D <sub>2</sub>	D <sub>1</sub>	D <sub>0</sub>	
Temperature compensation	0	0	0	1	1	1	0	0	0	set TC slopes A and B (SLA and SLB)
	0	δ <sup>(1)</sup>	SLB <sub>2</sub>	SLB <sub>1</sub>	SLB <sub>0</sub>	δ <sup>(1)</sup>	SLA <sub>2</sub>	SLA <sub>1</sub>	SLA <sub>0</sub>	
Temperature compensation	0	0	0	1	1	1	0	0	1	set TC slopes C and D (SLC and SLD)
	0	δ <sup>(1)</sup>	SLD <sub>2</sub>	SLD <sub>1</sub>	SLD <sub>0</sub>	δ <sup>(1)</sup>	SLC <sub>2</sub>	SLC <sub>1</sub>	SLC <sub>0</sub>	
Frame frequency range, oscillator tune and mode	0	0	0	1	1	1	1	0	0	frame frequency range and oscillator tune and working mode
	0	MOD	T <sub>2</sub>	T <sub>1</sub>	T <sub>0</sub>	δ <sup>(1)</sup>	FR <sub>2</sub>	FR <sub>1</sub>	FR <sub>0</sub>	
Temperature compensation enable	0	1	1	1	0	1	0	1	TCE	enable/disable temperature compensation
Oscillator selection	0	0	0	1	1	1	0	1	EC	external oscillator
OTP programming	0	1	1	1	1	0	0	OSE	CAL MM	enter calibration mode and control programming
LOAD 0	0	1	1	0	1	1	0	0	0	write 0 to shift register
LOAD 1	0	1	1	0	1	1	0	0	1	write 1 to shift register
Select factory defaults	0	1	1	1	0	1	1	0	SFD	enable/disable defaults
N-line inversion and super-frame inversion	0	1	0	1	0	1	1	0	1	N-line inversion and super-frame Inversion
	0	FI	NL <sub>6</sub>	NL <sub>5</sub>	NL <sub>4</sub>	NL <sub>3</sub>	NL <sub>2</sub>	NL <sub>1</sub>	NL <sub>0</sub>	
	0	0	1	δ <sup>(1)</sup>	δ <sup>(1)</sup>	δ <sup>(1)</sup>	δ <sup>(1)</sup>	δ <sup>(1)</sup>	δ <sup>(1)</sup>	reserved
	0	1	0	1	0	0	0	δ <sup>(1)</sup>	δ <sup>(1)</sup>	reserved
	0	1	0	1	0	1	1	0	0	reserved
	0	1	1	0	1	0	δ <sup>(1)</sup>	δ <sup>(1)</sup>	δ <sup>(1)</sup>	reserved
	0	1	1	1	0	1	0	0	1	reserved
	0	1	1	1	0	0	1	δ <sup>(1)</sup>	δ <sup>(1)</sup>	reserved
	0	1	1	1	0	1	1	1	δ <sup>(1)</sup>	reserved
	0	1	1	1	1	0	1	δ <sup>(1)</sup>	δ <sup>(1)</sup>	reserved for testing
	0	1	1	1	1	1	δ <sup>(1)</sup>	δ <sup>(1)</sup>	δ <sup>(1)</sup>	reserved for testing

**Notes**

1. δ = don't care.
2. ID1, ID2, ID3, ID4 and VM are read back via interface as described in Section 9.2.3. Reading back with I<sup>2</sup>C-bus interface is possible for temperature, ID1, ID2 and VM, as described in Section 10.4.
3. ID1 will always return to logic 0; ID2 will always return to logic 1. The VM bit is set to logic 1 when the charge pump is running and logic 0 when the charge pump is not running.
4. If the Factory Defaults bit (MMFD) has been programmed to 1, then the SFD instruction is ignored and the device will always use the OTP default data.

## 65 x 96 pixels matrix grey-scale LCD driver

OM6208

## 11.1 Description of command bits

Table 8 Bit descriptions

BIT	0	1	RESET STATE
DON	display off	display on	0
E	normal display	inverse video mode	0
DAL	normal display	all pixel on	1
MY	no Y mirroring	Y mirroring	0
PC	charge pump off	charge pump on	0
DOR	normal data order	MSB/LSB transposed for RAM data	0
V	horizontal addressing	vertical addressing	0
BRS	bottom rows are not mirrored	bottom rows are mirrored	0
EC	internal oscillator is selected	external clock to be used	0
CALMM	exit OTP calibration mode	enter OTP calibration mode <sup>(1)</sup>	0
TCE	disable temperature compensation	enable temperature compensation	1
OSE	disable OTP programmed voltage	enable OTP programmed voltage <sup>(1)</sup>	0
SFD	use interface programmed data	use OTP programmed data <sup>(2)</sup>	0
MOD	grey-scale mode is selected	black-and-white mode is selected	0
SLA[2:0]	select slope for segment A		000 <sup>(2)</sup>
SLB[2:0]	select slope for segment B		000 <sup>(2)</sup>
SLC[2:0]	select slope for segment C		000 <sup>(2)</sup>
SLD[2:0]	select slope for segment D		000 <sup>(2)</sup>
X[6:0]	sets X address (column) for writing in the RAM		0000000
Y[4:0]	sets Y address (bank) for writing in the RAM		00000
S[1:0]	charge pump multiplication factor (see Table 10)		0000 <sup>(2)</sup>
NL[6:0]	sets N-line inversion (see Table 18)		0001101 <sup>(2)</sup>
FR[2:0]	sets frame frequency range (see Table 11)		001 <sup>(2)(3)</sup>
T[2:0]	oscillator tune; sets frame frequency within a range (see Table 11)		110 <sup>(2)(3)</sup>
D[7:0]	display data length for 3-line SPI interface		00000000
VPR[7:0]	V <sub>PR</sub> register		00000000 <sup>(2)</sup>
BS[2:0]	bias setting level (see Table 13)		000 <sup>(2)</sup>
FI	super-frame inversion		0 <sup>(2)</sup>

## Notes

1. Calibration mode may not be entered if the SEAL bit has been set. Programming is only possible when in calibration mode.
2. These values can be set by the module maker. If the factory defaults OTP bit (MMFD) has been set then these values cannot be changed via the interface. Otherwise, the OTP data will only be used if bit SFD is set to 1.
3. FR[2:0] = 001 and T[2:0] = 110 gives 150 Hz as default frame frequency.

## 65 x 96 pixels matrix grey-scale LCD driver

## OM6208

**Table 9** Display and power mode bits DON, DAL and E

DON	DAL <sup>(1)</sup>	E <sup>(2)</sup>	DESCRIPTION
0	0	X <sup>(3)</sup>	display off; all row and column outputs at V <sub>SS</sub> ; oscillator on; HV generator enabled
0	1	X <sup>(3)</sup>	Power-down mode; display off; all row and column outputs at V <sub>SS</sub> ; oscillator off; HV generator disabled
1	0	0	normal display mode
1	0	1	inverse display mode
1	1	X <sup>(3)</sup>	all pixels on

**Notes**

1. The DAL bit has priority over the  $\bar{E}$  bit.
2. Refer also to Table 17.
3. X = don't care.

**Table 10** Multiplication settings for charge pump

S1	S0	VOLTAGE MULTIPLIER
0	0	4 ×
0	1	5 ×
1	0	6 ×
1	1	7 ×

**11.2 Frame frequency setting and oscillator tuning**

Grey-scale mode and black-and-white mode require different frame frequencies. The appropriate frame frequency ( $f_{\text{frame}}$ ) is derived from the oscillator frequency ( $f_{\text{osc}}$ ) using a presettable divider as shown in the equation

$$f_{\text{frame}} = \frac{f_{\text{osc}}}{\text{division ratio}}$$

There are eight possible divider settings and these are selected by the parameter FR[2:0], see Table 11.

**Table 11** Frame frequencies for  $f_{\text{osc}} = 400 \text{ kHz}$ 

FR2	FR1	FR0	DIVISION RATIO	$f_{\text{frame}}$ (Hz)
0	0	0	2448	163.4
0	0	1	3265	122.5
0	1	0	4082	98.0
0	1	1	4896	81.7
1	0	0	5714	70.0
1	0	1	7340	54.5
1	1	0	8968	44.6
1	1	1	11428	35.0

Oscillator tuning is controlled by the parameter T[2:0]. As a result of oscillator tuning,  $f_{\text{osc}}$  is increased by approximately 4% per step according to the equation

$$f_{\text{osc}} = 400 \text{ kHz} \times (1 + 0.04 \times T) \quad (1)$$

where T is the decimal value of T[2:0].

**Example.** For the default values given in Table 8 (i.e. FR[2:0] = 001 and T[2:0] = 110) the selected frame frequency is  $122.5 \text{ Hz} \times (1 + 6 \times 0.04) = 151.9 \text{ Hz}$ .

Equation (1) shows the typical value of the oscillator frequency. The accuracy of this parameter is defined in Chapter 15. The frame frequency accuracy results directly from the oscillator accuracy.

**11.3 Initialization**

Immediately following power-on, all internal registers and the RAM content are undefined. A reset pulse must be applied to the RES pad.

Reset is accomplished by applying an external reset pulse (active LOW) to the  $\overline{\text{RES}}$  input. When reset occurs within the specified time, all internal registers are reset, however the RAM remains undefined. The state after reset is described in Section 11.4.

At power-on, the  $\overline{\text{RES}}$  input must be  $\leq 0.3V_{\text{DD1}}$  when  $V_{\text{DD1}}$  reaches  $V_{\text{DD(min)}}$  (or higher) within the maximum time  $t_{\text{VHRL}}$  after  $V_{\text{DD1}}$  going HIGH (see Fig.37). Alternatively a reset pulse can be applied when  $V_{\text{DD1}}$  is stable.

A reset can also be made by sending a reset command. This command can be used during normal operation but not to initialize the chip after power-on.

After power-off, the  $\overline{\text{RES}}$  input must not be HIGH when  $V_{\text{DD1}}$  is not HIGH.

## 65 x 96 pixels matrix grey-scale LCD driver

## OM6208

**11.4 Reset function**

After reset, the LCD driver is in Power-down mode, the RAM is undefined and the internal registers have the status shown in Table 8.

**11.5 Power-down mode**

In the Power-down mode:

- All LCD outputs (row and column outputs) are at  $V_{SS}$  (display off)
- Bias generator and  $V_{LCD}$  generator are switched off; external  $V_{LCD}$  supply can be applied or disconnected
- Oscillator is off (an external clock is possible)
- RAM contents are unchanged; RAM data can be written
- $V_{LCD}$  is discharged to  $V_{SS}$ .

Power-down mode is active when the display is off ( $DON = 0$ ) and all the pixels are on ( $DAL = 1$ ).

**11.6 Display Control**

The bits  $DON$ ,  $E$  and  $DAL$  select the display mode (see Table 9).

**11.6.1 HORIZONTAL MIRRORING**

When the  $MX$  input is at logic 0, the display RAM is written from left to right ( $X = 0$  is on the left side).

When the  $MX$  input is set to 1, the display RAM is written from right to left ( $X = 0$  is on the right side).

The  $MX$  input value has an impact on the way the RAM is written: if a horizontal mirroring of the display is desired, the RAM must be rewritten after changing the  $MX$  pad value.

**11.6.2 VERTICAL MIRRORING**

When the  $MY$  bit is set to logic 1, the display is mirrored vertically.

A change of this bit has an immediate effect on the display, it is not necessary to rewrite RAM for the effect to take place.

**11.7 Set Y address of RAM**

$Y[4:0]$  defines the Y address of the display RAM.

**Table 12** Y address range

Y4	Y3	Y2	Y1	Y0	DISPLAY RAM
0	0	0	0	0	bank 0
0	0	0	0	1	bank 1
0	0	0	1	0	bank 2
0	0	0	1	1	bank 3
0	0	1	0	0	bank 4
0	0	1	0	1	bank 5
0	0	1	1	0	bank 6
0	0	1	1	1	bank 7
0	1	0	0	0	bank 8
0	1	0	0	1	bank 9
0	1	0	1	0	bank 10
0	1	0	1	1	bank 11
0	1	1	0	0	bank 12
0	1	1	0	1	bank 13
0	1	1	1	0	bank 14
0	1	1	1	1	bank 15
1	0	0	0	1	bank 16

**11.8 Set X address of RAM**

The X address points to the columns. The range of X is 0 to 95.

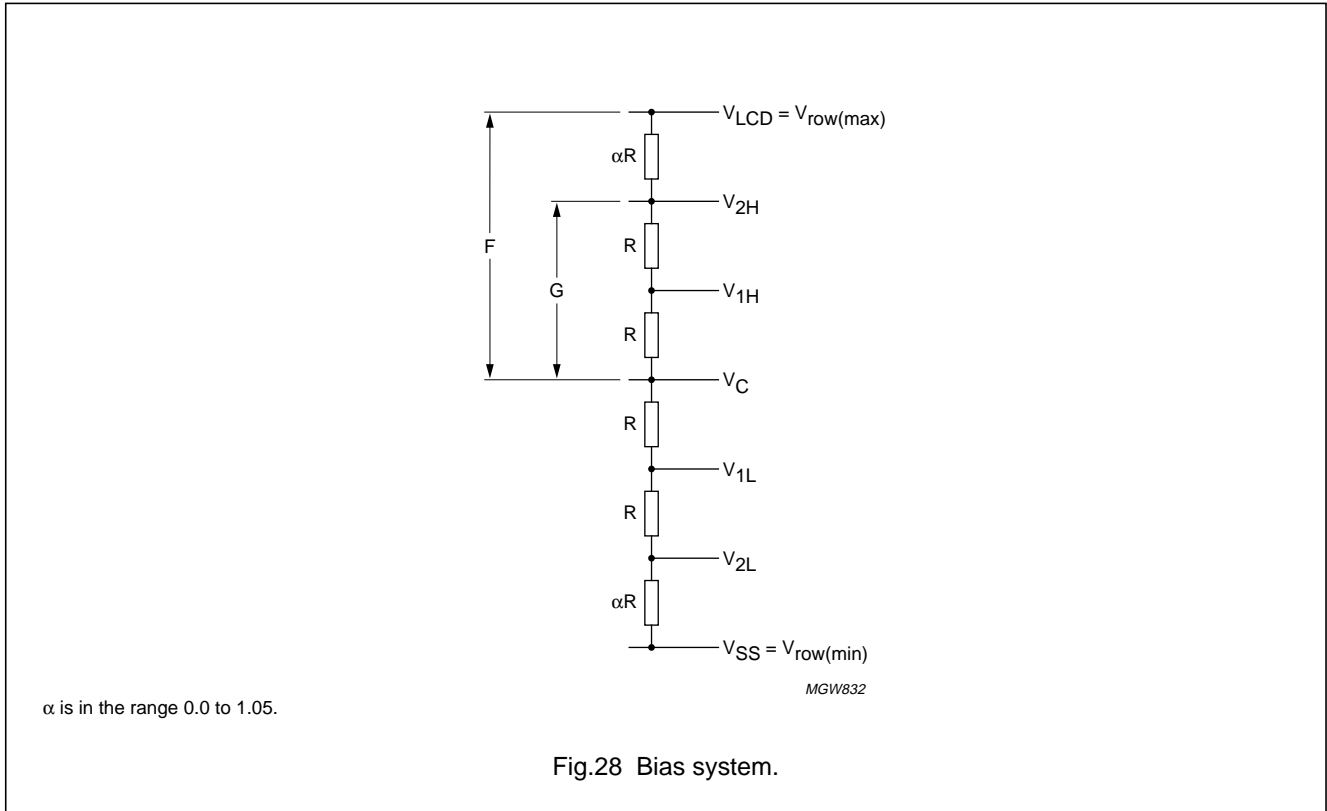
**11.9 Bias levels**

The OM6208 is a grey-scale driver able to provide different bias voltage levels for rows and columns. The row voltage values are  $V_{LCD}$ ,  $V_{SS}$  and  $V_C$ , generated using the resistor chain shown in Fig.28.

The five levels used to drive the columns are shown in Fig.28. These are  $V_{2L}$ ,  $V_{1L}$ ,  $V_C$ ,  $V_{1H}$  and  $V_{2H}$ , all of which depend on the value of alpha. Table 13 shows all possible combinations of alpha settable by programming the  $BS[2:0]$  bits.

65 x 96 pixels matrix grey-scale LCD driver

OM6208



**Table 13** Bias setting levels for  $p = 4$

BS2	BS1	BS0	F/G	$\alpha$	a
0	0	0	1.000	0.00	4.00
0	0	1	1.075	0.15	4.30
0	1	0	1.150	0.30	4.60
0	1	1	1.225	0.45	4.90
1	0	0	1.300	0.60	5.20
1	0	1	1.375	0.75	5.50
1	1	0	1.450	0.90	5.80
1	1	1	1.525	1.05	6.10

Each of the eight possible values of alpha results in a different set of five values for the column voltages.

Bias level F (see Fig.28) is half of the maximum row voltage level as shown by the equation

$$F = \frac{V_{LCD}}{2}$$

Figure 28 also shows that G is used to define the maximum column voltage level related to the  $V_C$  level.

Because the voltage level of the row depends on the programmed bias level, it can be seen that  $F \geq G$

The situation where  $F = G$  occurs only when BS[2:0] is zero and alpha is zero. In this case  $\alpha R = 0$  and  $G = F$ ; therefore  $V_{2H} = V_{LCD}$  and  $V_{2L} = V_{SS}$ , also two of the internal buffers are no longer needed and therefore are switched off to reduce power consumption.

The relationship between F and G is defined by the parameter a (indicated in Table 13) and p as follows

$$\frac{F}{G} = \frac{a}{p}$$

It can be seen from Fig.28 that

$$\frac{F}{G} = \frac{a}{p} = \frac{(\alpha + 2)}{2} = 1 + \frac{\alpha}{2}$$

or

$$a = \left(\frac{\alpha}{2} + 1\right) \cdot p \quad \alpha = \left(\frac{a}{p} - 1\right) \cdot 2$$

The BS[2:0] bias bits can be selected by a command and also can be programmed by OTP.

65 x 96 pixels matrix grey-scale LCD driver

OM6208

The relationship between the parameters F, p, a and N (number of rows of the display) and the  $V_{on(rms)}$  and  $V_{off(rms)}$  voltage values according to the typical LCD properties of the pixel are shown in equations (2) and (3).

$$V_{on(rms)} = \frac{F}{a} \cdot \sqrt{\frac{p \cdot (a^2 + N + 2a)}{N}} \quad (2)$$

$$V_{off(rms)} = \frac{F}{a} \cdot \sqrt{\frac{p \cdot (a^2 + N - 2a)}{N}} \quad (3)$$

**11.10 LCD drive voltage**

11.10.1 LCD DRIVE VOLTAGE GENERATION

$V_{LCD}$  may be supplied externally or generated internally by the on-chip capacitive charge pump. OM6208 features on-chip capacitors resulting in a minimum of external components required for operation (see Chapter 16).

The ‘power control’ instruction may be used to switch  $V_{LCD}$  generation on or off. The charge pump control instruction may be used to select the required voltage multiplication factor. The ‘set  $V_{PR}$ ’ instruction is used for programming the LCD drive voltage  $V_{LCD}$ .

The generation of  $V_{LCD}$  in OM6208 is illustrated in Fig.29. This shows all factors that effect  $V_{LCD}$  generation, including the 6 bits of MMVOPCAL (from OTP) and the 7 bits resulting from the temperature compensation mechanism. Equations summarizing all factors are

$$V_{OP} = V_{PR} + MMVOPCAL + V_T \quad (4)$$

and

$$V_{LCD} = V_{OP} \cdot b + a \quad (5)$$

Where:

$V_{PR}[7:0]$  is set in the instruction decoder and is the programmed  $V_{PR}$  register value as an unsigned number

MMVOPCAL[5:0] is the value of the offset stored in the OTP cells in twos complement format

$V_T[7:0]$  in twos complement format comes from the temperature compensation block (see Table 16)

a and b are fixed constant values (see Table 14).

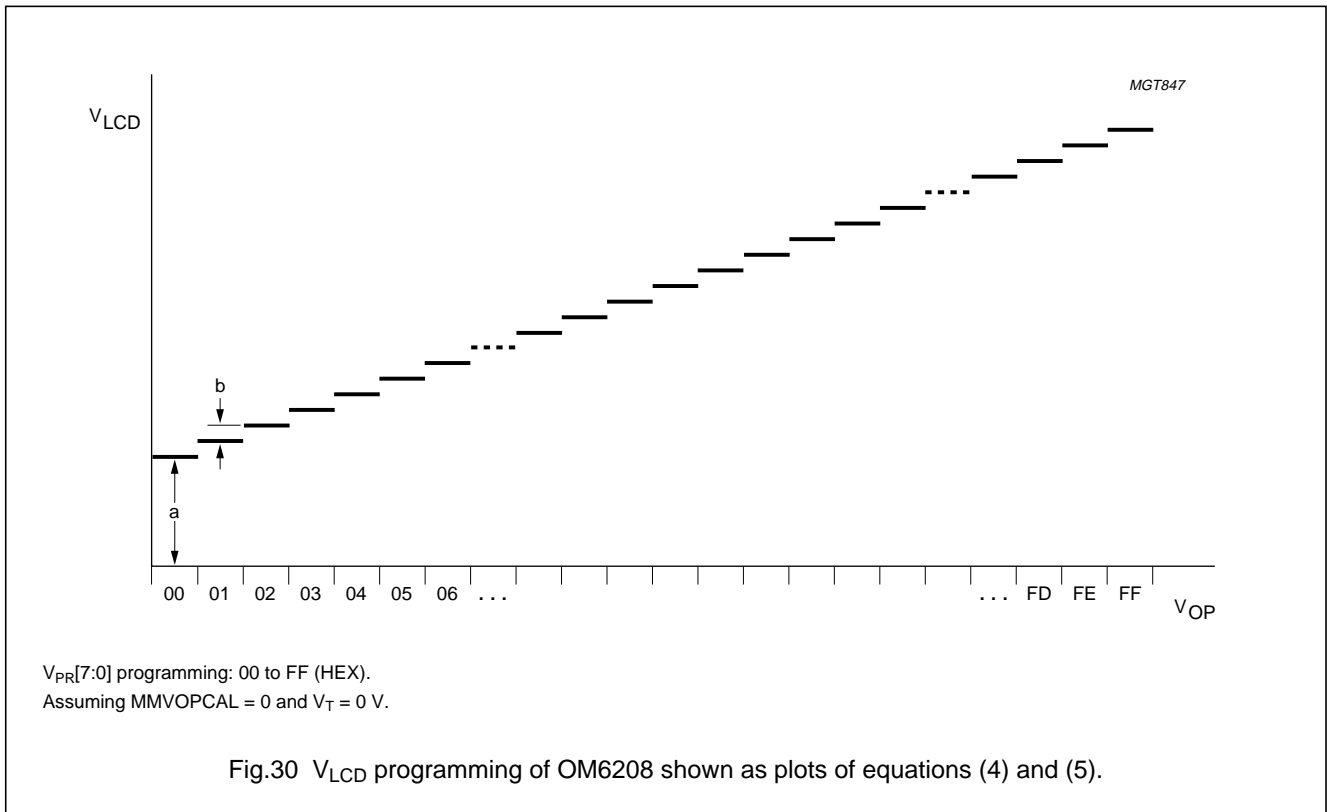
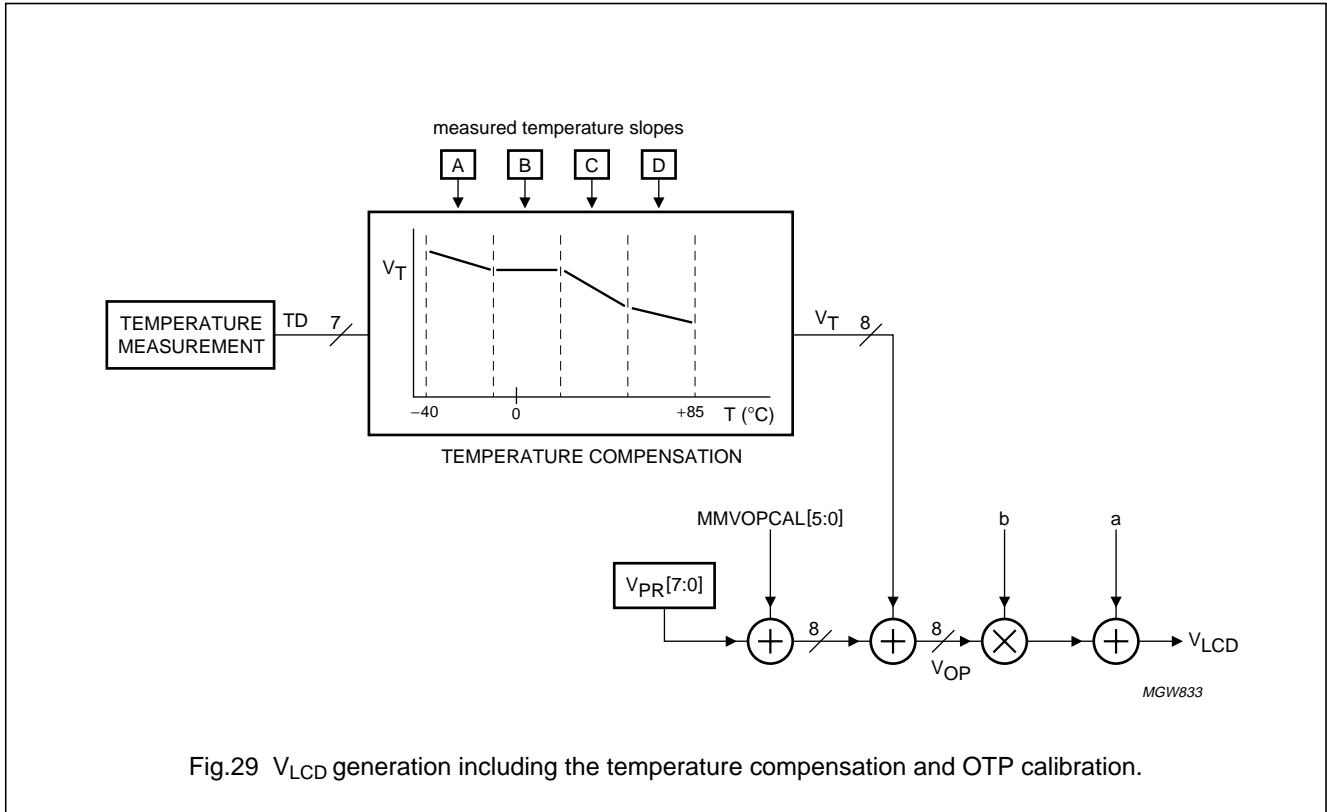
**Table 14** Parameters of  $V_{LCD}$

SYMBOL	VALUE	UNIT
b	0.03	V
a	3	V

CAUTION		
As the programming range for the internally generated $V_{LCD}$ allows values above the maximum allowed $V_{LCD}$ (9 V), the user has to ensure, while setting the $V_{PR}$ register and selecting the temperature compensation, that under all conditions and including all tolerances $V_{LCD}$ remains below 9.0 V.		
Also, because the programming range for the internally generated $V_{LCD}$ allows values below the minimum allowed $V_{LCD}$ (5 V), the user has to ensure, while setting the $V_{PR}$ register and selecting the temperature compensation, that under all conditions and including all tolerances $V_{LCD}$ remains above 5.0 V.		

65 x 96 pixels matrix grey-scale LCD driver

OM6208





65 x 96 pixels matrix grey-scale LCD driver

OM6208

11.10.2 TEMPERATURE MEASUREMENT

The temperature measurement is repeated every 10 seconds. The measured value is provided as a 7-bit digital value TD[6:0] which can be read back via the interface. The temperature can be determined from TD[6:0] using the equation

$$T = (1.875 \times TD - 40)^\circ\text{C} \tag{6}$$

11.10.3 TEMPERATURE COMPENSATION

Due to the temperature dependency of the liquid crystal's viscosity, the LCD controlling voltage  $V_{LCD}$  may have to be adjusted at different temperatures to maintain optimal contrast.

Internal temperature compensation may be enabled via the 'temperature compensation enable' instruction. When the internal temperature compensation is applied (TCE bit is set to 1) then according to Equation (4) the  $V_{LCD}$  depends also on  $V_T$  (the temperature compensation component defined in Table 16), otherwise  $V_T$  is considered to be 0 V.

After the reset, the  $V_{LCD}$  is fixed because the  $V_{PR}$  is a register that is reset to zero. The MMVOPCAL is also set to zero because this comes from the registers of OTP that are not refreshed yet, also  $V_T$  is evaluated after the reset because the temperature measurement block supplies a TD value that is the default value stored in the register after the reset.

The four temperature coefficients MA, MB, MC and MD correspond to four equally spaced temperature regions. Each coefficient can be selected from a choice of eight different slopes, or multiplication factors. Each one of these coefficients may be independently selected by the user via the 'temperature compensation enable' instruction. The default for each slope register can be stored in OTP.

**Table 15** Temperature coefficients

Slopes of  $V_{LCD}$  are calculated from equations (4), (5), (6) and Table 16.

SLA, SLB, SLC and SLD	MA, MB, MC and MD	SLOPE (mV/K)
111	3.00	-48
110	2.00	-32
101	1.25	-20
100	1.00	-16
011	0.75	-12
010	0.50	-8
001	0.25	-4
000	0.00	0

Temperature compensation is implemented by adding an offset  $V_T$  to the  $V_{PR}$  value (additionally to the OTP calibration offset MMVOPCAL).

The final result for  $V_{LCD}$  calculation is an 8-bit positive number as shown in equations (4) and (5). Care must be taken by the user to ensure that the ranges of  $V_{PR}$ , MMVOPCAL and  $V_T$  do not cause clipping and hence undesired results. The adder stages will not permit overflow or underflow and will clamp results to either end of the range.

The temperature read-out generates a 7-bit result, TD[6:0]. For temperatures below  $-40^\circ\text{C}$ , the value of TD is zero. For temperatures above  $79^\circ\text{C}$ , the value of TD is higher than 63, but for  $V_T$  calibration the value  $TD = 63$  is used.

The offset value  $V_T$  may be calculated from Table 16. The effect on  $V_{LCD}$  can be calculated by multiplying the offset value with the value of b (from Table 14).

For example, if  $T = -10^\circ\text{C}$ ,  $TD = 16$  and  $MB = 1.25$  then  $V_{LCD\text{offset}} = 30\text{ mV} \times (32 - 16) \times 1.25 = 600\text{ mV}$ .

**Table 16** Temperature compensation equations

TEMPERATURE RANGE (°C)	TD RANGE	EQUATION
-40 to -11	0 to 15	$V_T = (16 \times MB) + MA \times (16 - TD)$
-10 to +19	16 to 31	$V_T = (32 - TD) \times MB$
+20 to +49	32 to 47	$V_T = -(TD - 32) \times MC$
+50 to +79	48 to 63	$V_T = -(16 \times MC) + MD \times (TD - 48)$

65 x 96 pixels matrix grey-scale LCD driver

OM6208

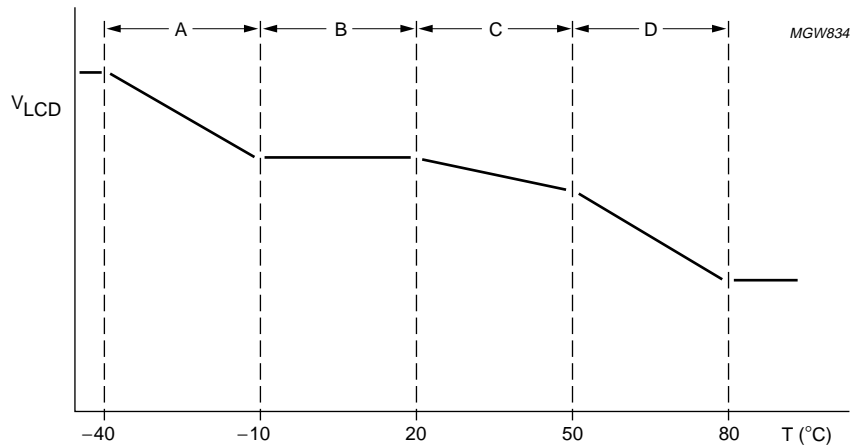


Fig.31 Example of segmented temperature coefficients.

11.11 Grey-scale mode and black-and-white mode

It is possible to set via command the working mode of the OM6208. This is by setting the MOD bit of the 'frame frequency' instruction, oscillator tune and mode. By default, the MOD bit is set to logic 0 and grey-scale mode is selected. In that mode, grey-scales are generated using Frame Rate Control (FRC). Three frames together form a super-frame. The frame frequency is adjustable but all three frames have the same duration. A grey-scale is generated by selecting either 0, 1, 2 or all 3 frames (see Table 17).

If the MOD bit is set to logic 1 black-and-white mode is selected, meaning that only black-and-white levels are generated and only one frame type is sent to the display. Thus only the MSBs stored in the RAM are used for all three frames. The LSBs are ignored. Thus the way the data is stored in the RAM is the same as for grey-scale. As all frames are identical the frame frequency may be reduced (see Table 11).

Table 17 Grey-scale levels with FRC

GS[1:0]		SUPER-FRAME <sup>(1)</sup>	GREY-SCALE LEVELS
<b>Normal mode (E = 0)</b>			
0	0	000	white
0	1	001	light grey
1	0	110	dark grey
1	1	111	black
<b>Inverse mode (E = 1)</b>			
0	0	111	black
0	1	110	dark grey
1	0	001	light grey
1	1	000	white

Note

- The first and second frames in each super-frame are related to the MSB of GS[1:0] (GS = 11); the third frame is related to the LSB (GS = 00).

11.12 N-line inversion and frame inversion

N-line inversion can be set from 0 to 127 as shown in Table 18.

## 65 x 96 pixels matrix grey-scale LCD driver

## OM6208

**Table 18** N-line inversion

INVERSION AFTER	NL <sub>6</sub>	NL <sub>5</sub>	NL <sub>4</sub>	NL <sub>3</sub>	NL <sub>2</sub>	NL <sub>1</sub>	NL <sub>0</sub>	FI
0-line inversion	0	0	0	0	0	0	0	0
1-line inversion	0	0	0	0	0	0	1	0
2-line inversion	0	0	0	0	0	1	0	0
3-line inversion	0	0	0	0	0	1	1	0
4-line inversion	0	0	0	0	1	0	0	0
5-line inversion	0	0	0	0	1	0	1	0
6-line inversion	0	0	0	0	1	1	0	0
7-line inversion	0	0	0	0	1	1	1	0
8-line inversion	0	0	0	1	0	0	0	0
:	:	:	:	:	:	:	:	:
66-line inversion	1	0	0	0	0	1	0	0
67-line inversion	1	0	0	0	0	1	1	0
68-line inversion	1	0	0	0	1	0	0	0
:	:	:	:	:	:	:	:	:
127-line inversion	0	1	0	0	0	0	0	0
0 only super-frame inversion	0	0	0	0	0	0	0	1
1-line inversion and super-frame inversion	0	0	0	0	0	0	1	1
2-line inversion and super-frame inversion	0	0	0	0	0	1	0	1
3-line inversion and super-frame inversion	0	0	0	0	0	1	1	1
4-line inversion and super-frame inversion	0	0	0	0	1	0	0	1
5-line inversion and super-frame inversion	0	0	0	0	1	0	1	1
6-line inversion and super-frame inversion	0	0	0	0	1	1	0	1
7-line inversion and super-frame inversion	0	0	0	0	1	1	1	1
8-line inversion and super-frame inversion	0	0	0	1	0	0	0	1
:	:	:	:	:	:	:	:	:
66-line inversion and super-frame inversion	1	0	0	0	0	1	0	1
67-line inversion and super-frame inversion	1	0	0	0	0	1	1	1
68-line inversion and super-frame inversion	1	0	0	0	1	0	0	1
:	:	:	:	:	:	:	:	:
127-line inversion and super-frame inversion	1	1	1	1	1	1	1	1

**Notes**

1. In grey-scale mode the super-frame inversion is performed if bit FI in the 'N-line inversion and super-frame inversion' instruction is set to logic 1. In black-and-white mode, the super-frame inversion continues in groups of three frames.
2. NL[6:0] may be set in the range 0 to 127. If NL = 0, then no line inversion is performed; if NL = MUX rate = 68 then N-line inversion is equal to frame inversion.
3. With N-line inversion the output signal polarity changes every N row pulse periods (with p = 4 this means inversion occurs after every 4 × NL rows of the display).
4. If after a super-frame FI = 1 and there is an inversion due to an N-line inversion, this inversion occurs only once.



## 65 x 96 pixels matrix grey-scale LCD driver

OM6208

**12 LIMITING VALUES**

In accordance with the Absolute Maximum Rating System (IEC 60134); notes 1 and 2.

SYMBOL	PARAMETER	MIN.	MAX.	UNIT
$V_{DD1}$	supply voltage (logic circuits)	-0.5	+6.5	V
$V_{DD2}$ , $V_{DD3}$	supply voltage (analog circuits)	-0.5	+5.0	V
$V_{LCD}$	LCD supply voltage	-0.5	+10.0	V
$V_I$	input voltage (any pad)	-0.5	$V_{DD1} + 0.5$	V
$I_{SS}$	ground supply current	-50	+50	mA
$I_I$ , $I_O$	DC input or output current	-10	+10	mA
$P_{tot}$	total power dissipation	-	300	mW
$P/out$	power dissipation per output	-	30	mW
$T_{stg}$	storage temperature	-65	+150	°C

**Notes**

- Stresses above those listed under limiting values may cause permanent damage to the device.
- Parameters are valid over operating temperature range unless otherwise specified. All voltages are with respect to  $V_{SS}$  unless otherwise noted.

**13 HANDLING**

Inputs and outputs are protected against electrostatic discharge in normal handling. However, to be totally safe, it is desirable to take normal precautions appropriate to handling MOS devices (see "Handling MOS devices").

**14 DC CHARACTERISTICS**

$V_{DD1} = 1.7$  to  $3.3$  V;  $V_{SS} = 0$  V;  $V_{LCD} = 5$  to  $9.0$  V;  $T_{amb} = -40$  to  $+85$  °C; unless otherwise specified.

SYMBOL	PARAMETER	CONDITIONS	MIN.	TYP.	MAX.	UNIT
$V_{DD1}$	supply voltage (logic circuits)		1.7	-	3.3	V
$V_{DD2}$ , $V_{DD3}$	supply voltage (analog circuits)		2.4	-	4.5	V
$V_{LCDIN}$	LCD supply voltage input	LCD voltage supplied externally; high voltage generator disabled	-	-	9.0	V
$V_{LCDOUT}$	LCD supply voltage output	LCD voltage generated internally; high voltage generator enabled; note 1	-	-	9.0	V
$V_{LCD(tol)}$	tolerance of generated $V_{LCD}$	with calibration; note 2	-70	-	+70	mV
$I_{DD}$	supply current; pins $V_{DD1}$ , $V_{DD2}$ and $V_{DD3}$	Power-down mode (all static currents switched off); note 3	-	3	-	μA
$I_{DD1}$	supply current; pin $V_{DD1}$	notes 3 and 4	-	20	40	μA
$I_{DD2}$ , $I_{DD3}$	supply current; pins $V_{DD2}$ and $V_{DD3}$	notes 3 and 4 DC load on $V_{LCD} = 300$ μA DC load on $V_{LCD} = 170$ μA	- -	2400 1200	- 2000	μA μA
$I_{DD2}$	supply current; pin $V_{DD2}$	notes 4 and 5 DC load on $V_{LCD} = 32$ μA	-	360	-	μA

## 65 x 96 pixels matrix grey-scale LCD driver

OM6208

SYMBOL	PARAMETER	CONDITIONS	MIN.	TYP.	MAX.	UNIT
<b>Logic circuits</b>						
$V_{OL}$	LOW-level output voltage	$I_{OL} = 0.5 \text{ mA}$	$V_{SS}$	–	$0.2V_{DD1}$	V
$V_{OH}$	HIGH-level output voltage	$I_{OH} = -0.5 \text{ mA}$	$0.8V_{DD1}$	–	$V_{DD1}$	V
$V_{IL}$	LOW-level input voltage		$V_{SS}$	–	$0.3V_{DD1}$	V
$V_{IH}$	HIGH-level input voltage		$0.7V_{DD1}$	–	$V_{DD1}$	V
$I_L$	leakage current	$V_I = V_{DD1} \text{ or } V_{SS}$	–1	–	+1	$\mu\text{A}$
<b>Column and row outputs</b>						
$R_{col}$	column output resistance C0 to C95	$V_{LCD} = 7 \text{ V}$	–	3	7	$\text{k}\Omega$
$R_{row}$	row output resistance R0 to R64	$V_{LCD} = 7 \text{ V}$ ; load $10 \mu\text{A}$ ; outputs tested one at a time	–	2	5	$\text{k}\Omega$
$V_{col}$	bias tolerance C0 to C95		–70	0	+70	mV
$V_{row}$	bias tolerance R0 to R64		–70	0	+70	mV
<b>Temperature read-back</b>						
$\Delta T_{RB}$	temperature read-back tolerance		–8	–	+8	$^{\circ}\text{C}$

**Notes**

1. The maximum possible  $V_{LCD}$  voltage that may be generated is dependent on voltage, temperature and (display) load.
2. Valid for the values of temperature,  $V_{PR}$  and temperature compensation used at calibration.
3.  $V_{DD1} = 1.8 \text{ V}$ ;  $V_{DD2} = 2.7 \text{ V}$ ; inputs at  $V_{DD1}$  or  $V_{SS}$ ; interface inactive; internal  $V_{LCD}$  generation.
4. Grey-scale or black-and-white mode; display mode ON; all outputs open-circuit;  $BS[2:0] = 000$ .
5.  $V_{LCD} = 6.84 \text{ V}$ ; default frequency; data pattern in RAM is with all bytes = AA(HEX); multiplication factor = 5.

## 65 x 96 pixels matrix grey-scale LCD driver

## OM6208

**15 AC CHARACTERISTICS**

$V_{DD1} = 1.7$  to  $3.3$  V;  $V_{SS} = 0$  V;  $V_{LCD} = \text{max. } 9.0$  V;  $T_{\text{amb}} = -40$  to  $+85$  °C; all timings are between 20% and 80% of  $V_{DD1}$ ; unless otherwise specified.

SYMBOL	PARAMETER	CONDITIONS	MIN.	TYP.	MAX.	UNIT
$f_{\text{OSC}}$	oscillator frequency selection	see Section 11.2, equation (1)	400 <sup>(1)</sup>	496 <sup>(2)</sup>	512 <sup>(3)</sup>	kHz
$f_{\text{EXT}}$	external clock frequency		400	496	512	kHz
$f_{\text{frame}}$	frame frequency selection	default frequency: FR[2:0] = 001; T[2:0] = 110	35	151.9	210	Hz
$\Delta f_{\text{OSC}}$ , $\Delta f_{\text{frame}}$	accuracy of oscillator frequency and frame frequency	$V_{DD1} = 2.8$ V; $T_{\text{amb}} = -20$ to $+70$ °C	-15	-	+15	%
<b>Serial timing characteristics: 3-line and 4-line SPI and serial interface; <math>V_{DD1} = 1.8</math> to <math>3.3</math> V; see Figs 32 to 35</b>						
$f_{\text{SCLK}}$	clock frequency		-	-	6.5	MHz
$T_{\text{CYC}}$	SCLK clock cycle time		153	-	-	ns
$t_{\text{PWH1}}$	SCLK pulse width high		70	-	-	ns
$t_{\text{PWL1}}$	SCLK pulse width low		60	-	-	ns
$t_{\text{S2}}$	$\overline{\text{SCE}}$ set-up time		60	-	-	ns
$t_{\text{H2}}$	$\overline{\text{SCE}}$ hold time		60	-	-	ns
$t_{\text{PWH2}}$	$\overline{\text{SCE}}$ minimum HIGH time		50	-	-	ns
$t_{\text{S4}}$	SDATA set-up time		60	-	-	ns
$t_{\text{H4}}$	SDATA hold time		60	-	-	ns
$t_{\text{S3}}$	data/command set-up time		60	-	-	ns
$t_{\text{H3}}$	data/command hold time		60	-	-	ns
$t_{\text{S1}}$	SDATA set-up time		50	-	-	ns
$t_{\text{H1}}$	SDATA hold time		70	-	-	ns
$t_1$	SDO access time		-	-	50	ns
$t_2$	SDO disable time	3-line SPI or 4-line SPI interface	-	-	50	ns
$t_3$	SCE hold time		50	-	-	ns
$t_4$	SDO disable time	3-line serial interface	25	-	110	ns
$C_b$	capacitive load for SDO	note 4	-	-	50	pF
$R_b$	series resistance for SDO	note 4	-	-	500	$\Omega$
<b>I<sup>2</sup>C-bus interface timing characteristics; <math>V_{DD1} = 1.8</math> to <math>3.3</math> V; see Fig.36</b>						
$f_{\text{SCLH}}$	SCLH clock frequency		0	-	3.4	MHz
$t_{\text{SU;STA}}$	set-up time (repeated) START condition		160	-	-	ns
$t_{\text{HD;STA}}$	hold time (repeated) START condition		160	-	-	ns
$t_{\text{LOW}}$	LOW period of the SCLH clock		160	-	-	ns
$t_{\text{HIGH}}$	HIGH period of the SCLH clock		60	-	-	ns
$t_{\text{SU;DAT}}$	data set-up time		10	-	-	ns
$t_{\text{HD;DAT}}$	data hold time		15	-	70	ns
$t_{\text{rDA}}$	rise time of SDAH signal		20	-	80	ns
$t_{\text{fDA}}$	fall time of SDAH signal		20	-	80	ns

## 65 x 96 pixels matrix grey-scale LCD driver

## OM6208

SYMBOL	PARAMETER	CONDITIONS	MIN.	TYP.	MAX.	UNIT
$t_{SU;STO}$	set-up time for STOP condition		160	–	–	ns
$C_b$	capacitive load for SDAH and SCLH lines	note 5	–	–	100	pF
	capacitive load for SDAH + SDA line and SCLH + SCL line		–	–	400	pF
$t_{SW}$	tolerable spike width on bus		–	–	5	ns
$V_{nL}$	noise margin at the LOW level for each connected device (including hysteresis)		$0.1V_{DD}$	–	–	V
$V_{nH}$	noise margin at the HIGH level for each connected device (including hysteresis)		$0.2V_{DD}$	–	–	V
<b>RESET timing characteristics; see Fig.37</b>						
$t_{VHRL}$	$V_{DD}$ to $\overline{RES}$ LOW		0 <sup>(6)</sup>	–	1	$\mu$ s
$t_{RW}$	reset low pulse width		1000	–	–	ns
$t_{RWS}$	reset pulse width spike suppression		–	–	100	ns

**Notes**

- $f_{OSC}$  defined for T[2:0] = 000.
- $f_{OSC}$  defined for T[2:0] = 110 (default value).
- $f_{OSC}$  defined for T[2:0] = 111.
- Maximum value is for  $f_{SCLK} = 6.5$  MHz; series resistance includes ITO track + connector resistance + PCB.
- $C_b = 100$  pF total capacitance of one bus line.
- $\overline{RES}$  may be LOW before  $V_{DD1}$  goes HIGH.



65 x 96 pixels matrix grey-scale LCD driver

OM6208

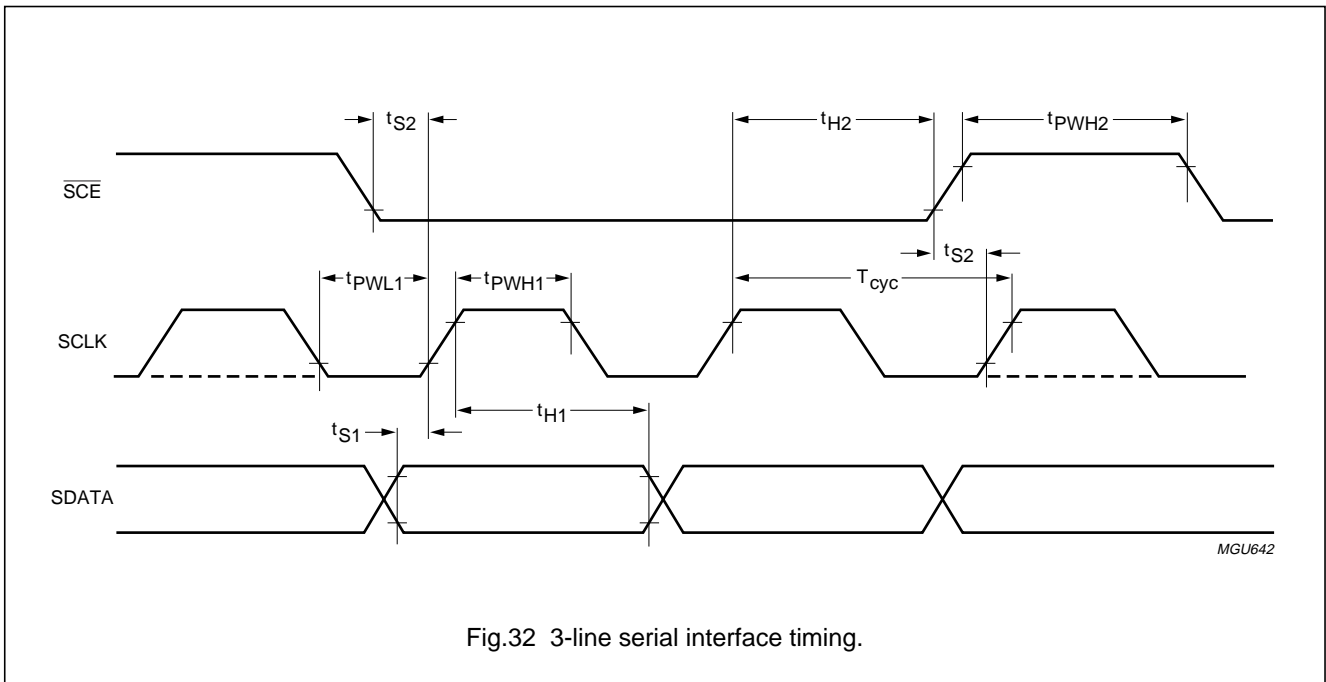


Fig.32 3-line serial interface timing.

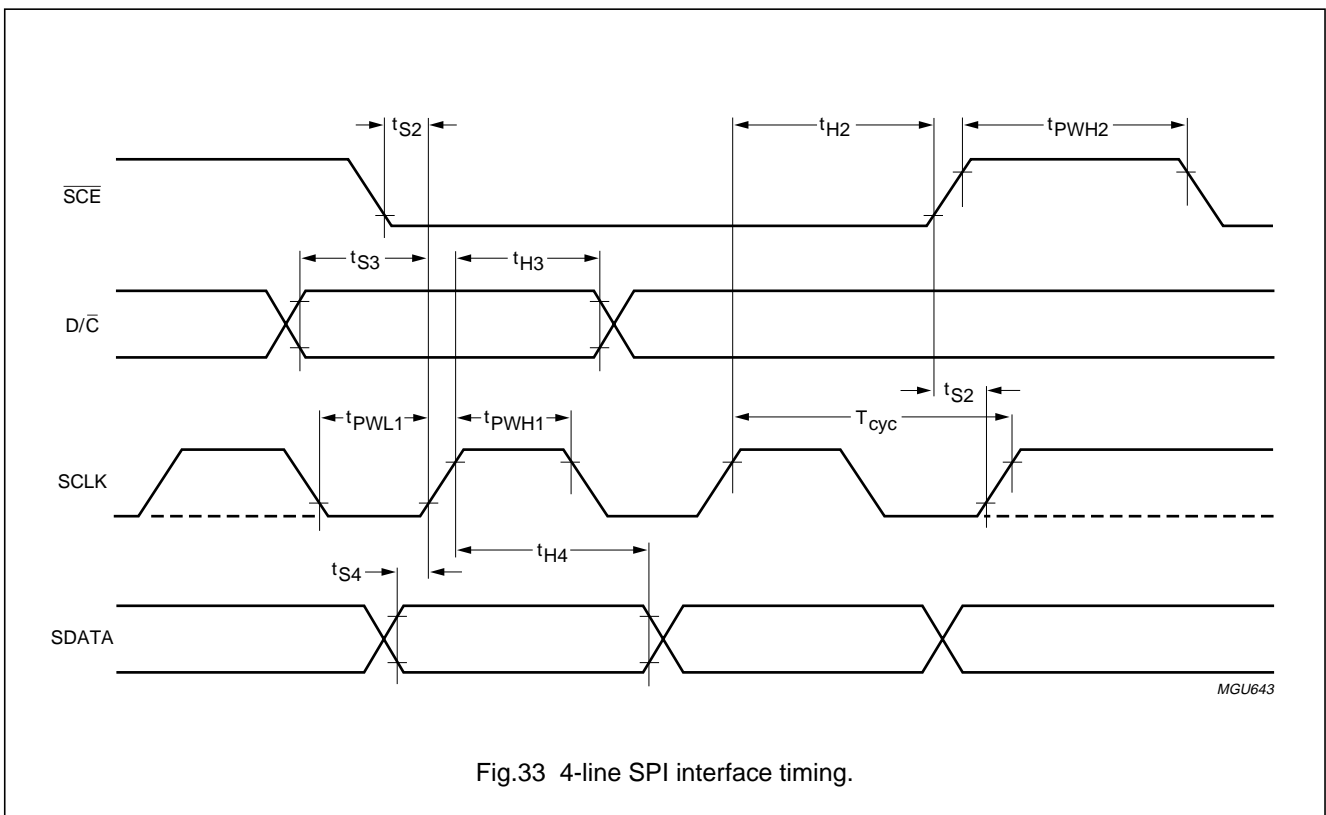


Fig.33 4-line SPI interface timing.

65 x 96 pixels matrix grey-scale LCD driver

OM6208

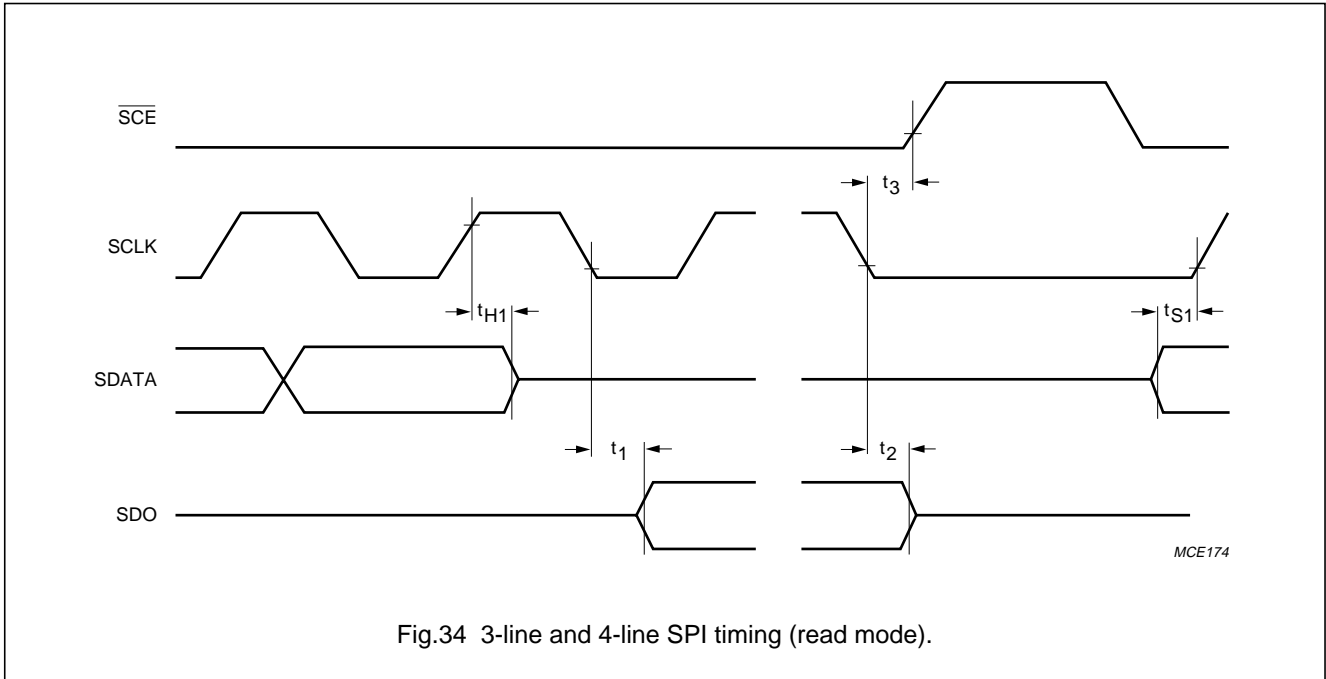


Fig.34 3-line and 4-line SPI timing (read mode).

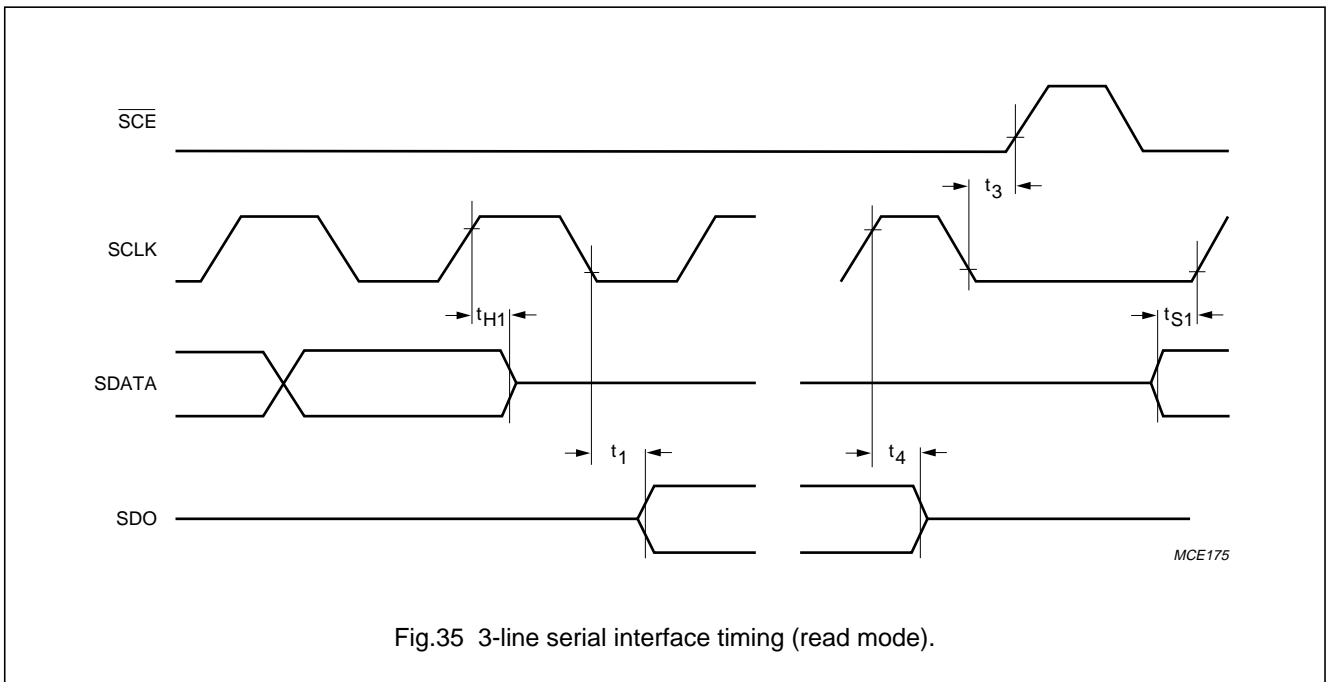


Fig.35 3-line serial interface timing (read mode).

65 x 96 pixels matrix grey-scale LCD driver

OM6208

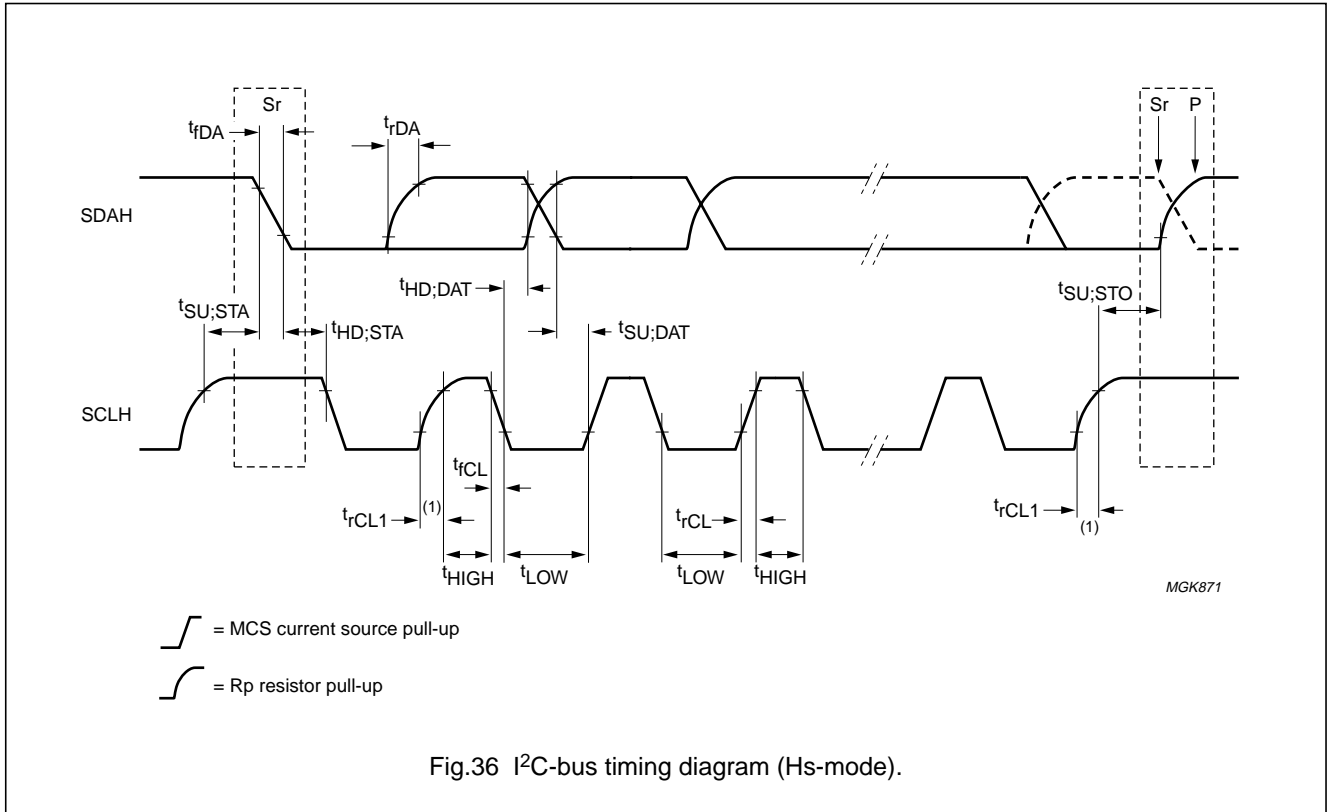


Fig.36 I<sup>2</sup>C-bus timing diagram (Hs-mode).

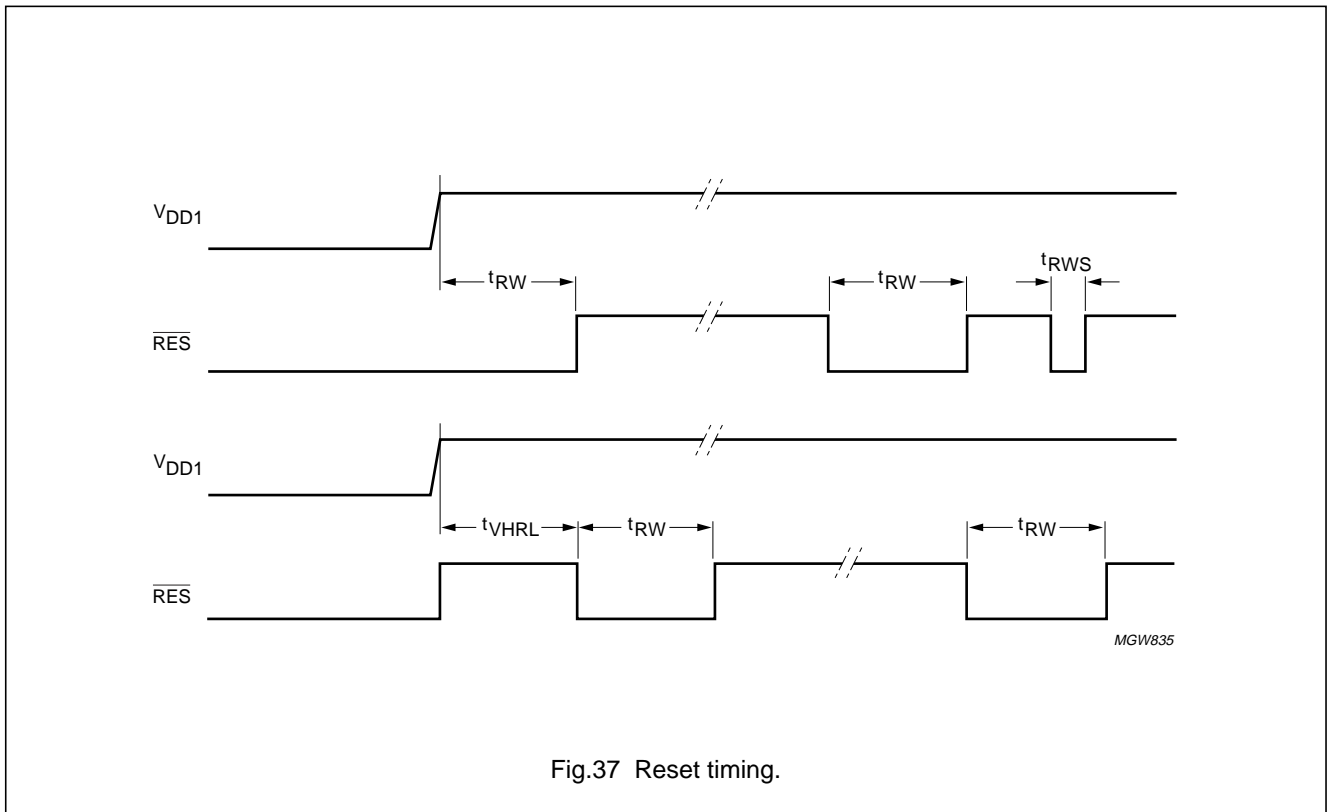


Fig.37 Reset timing.

# 65 x 96 pixels matrix grey-scale LCD driver

# OM6208

## 16 APPLICATION INFORMATION

### 16.1 Protection from light

Semiconductors are light sensitive. Exposure to light sources can cause malfunction of the IC. In the application it is therefore required to protect the IC from light. The protection has to be done on all sides of the IC, i.e. front, rear and all edges.

### 16.2 Chip-on-glass displays

The pinning of the OM6208 has an optimal design for single plane wiring, e.g. for chip-on-glass display modules.

### 16.3 Application examples

In the following application examples, the required values of the external capacitors are:

- $C_{V_{LCD}} = 1 \mu F$  minimum
- $C_{V_{DD}}$ ,  $C_{V_{DD1}}$  and  $C_{V_{DD2}} = 1 \mu F$  minimum
- Higher capacitor values can be used for the supply.

When the internal charge pump is used, the  $V_{LCD}$  lines must be short-circuited externally to ensure that the resistance between pads is zero. This is to allow the bias system to work correctly when BS[2:0] is not 000.

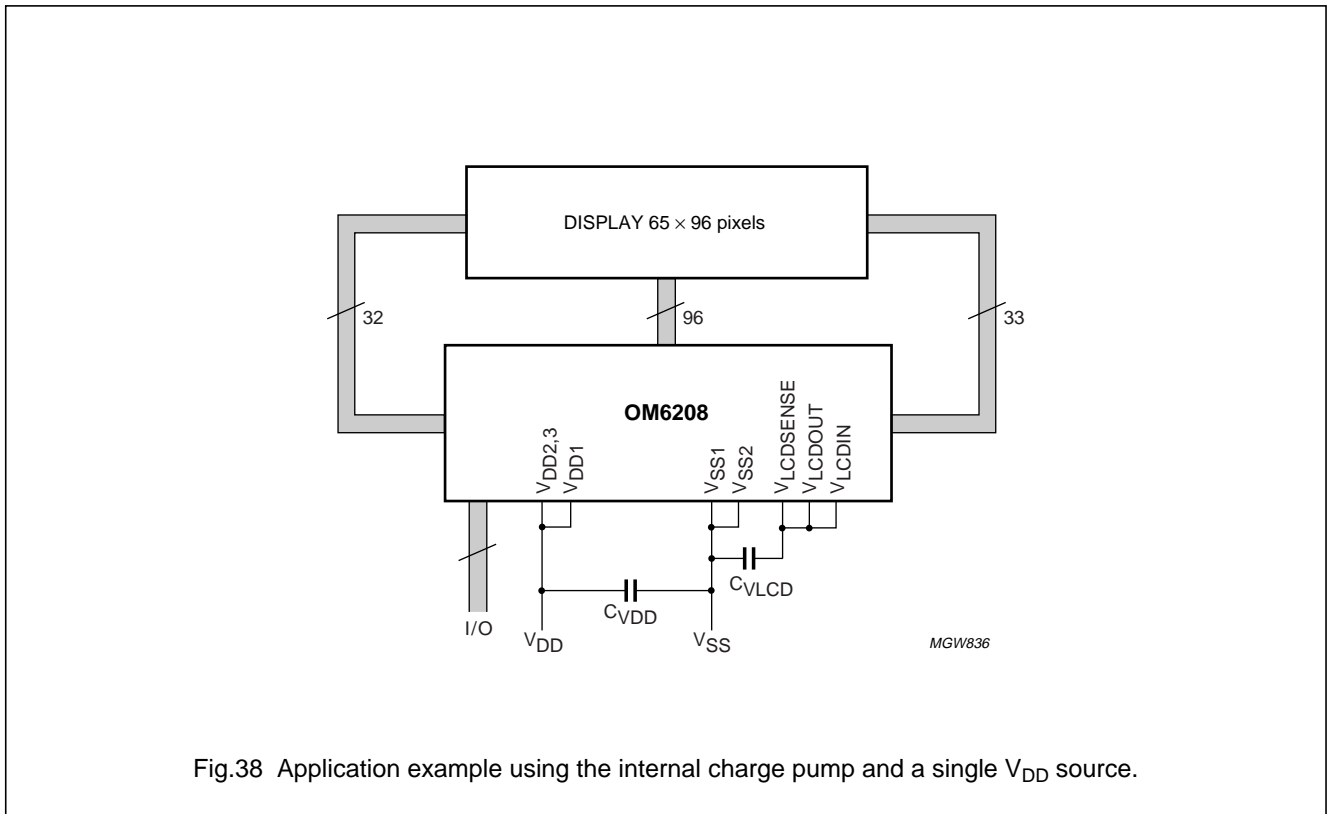


Fig.38 Application example using the internal charge pump and a single V<sub>DD</sub> source.

65 x 96 pixels matrix grey-scale LCD driver

OM6208

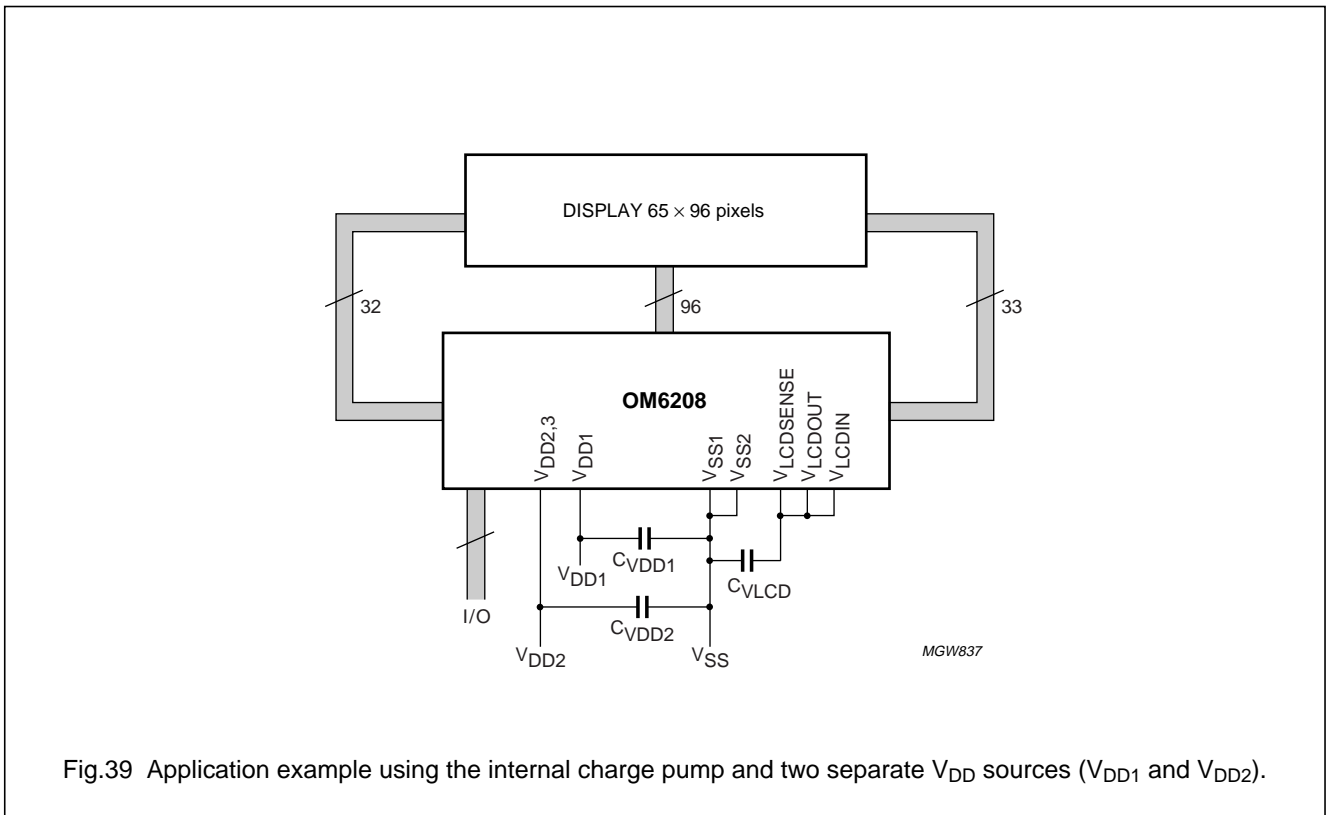


Fig.39 Application example using the internal charge pump and two separate V<sub>DD</sub> sources (V<sub>DD1</sub> and V<sub>DD2</sub>).

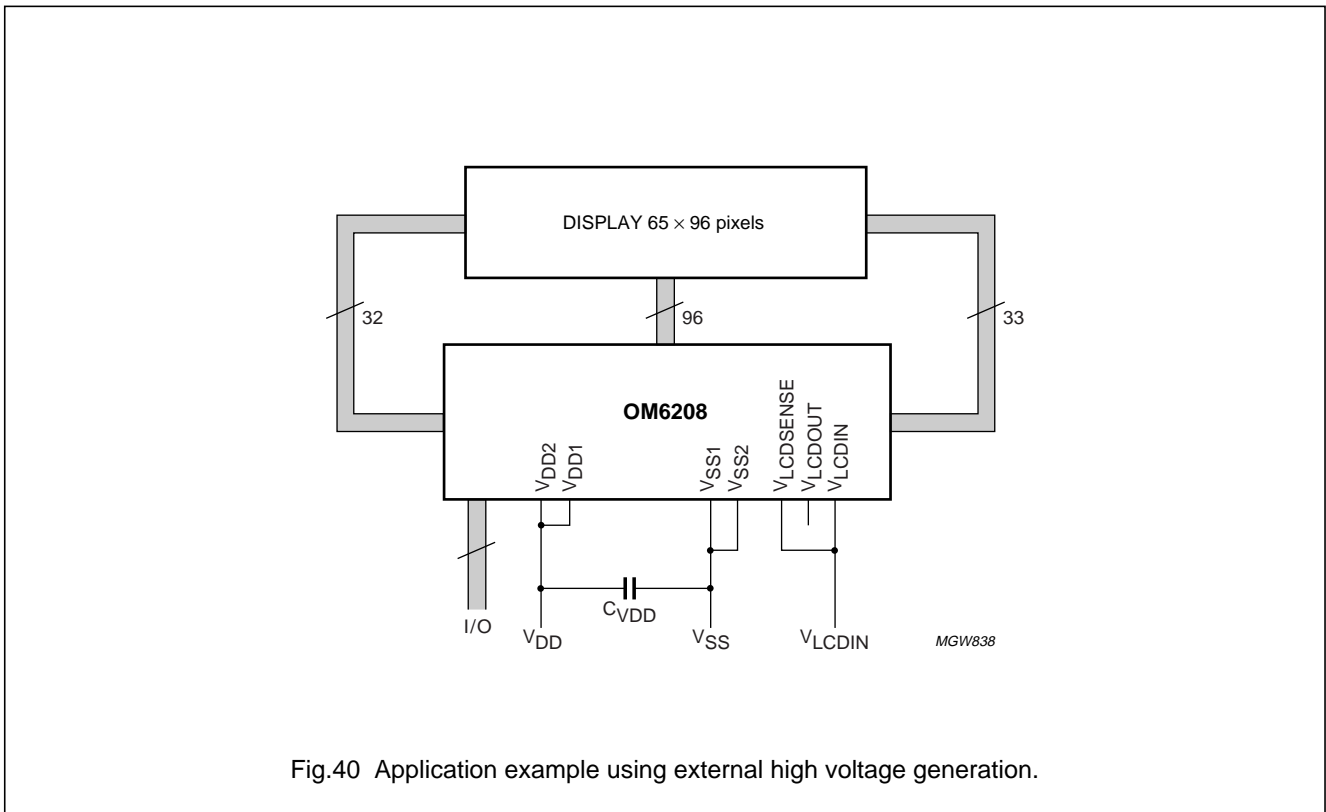


Fig.40 Application example using external high voltage generation.

65 x 96 pixels matrix grey-scale LCD driver

OM6208

17 MODULE MAKER PROGRAMMING

One Time Programmable (OTP) technology has been implemented in the OM6208. This enables the module maker to program some extended features of the OM6208 after it has been assembled on an LCD module. Programming is made under the control of the interfaces and the use of one special pin. This pin must be made available on the module glass but does not need to be accessed by the set maker.

The OM6208 features the following module maker programmable parameters:

- V<sub>LCD</sub> calibration
- Default temperature compensation slopes
- Default charge pump multiplication factor
- Default V<sub>PR</sub> value
- Default bias levels BS[2:0]
- Default frame frequency range in grey-scale mode GFR[2:0]
- Default oscillator tuning in grey-scale mode GT[2:0]
- Default frame frequency in black-and-white mode SFR[2:0]
- Default oscillator tune in black-and-white mode ST[2:0]
- Default N-line inversion NL[6:0]
- Default frame inversion FI
- Enable factory default FD
- Seal bit.

17.1 V<sub>LCD</sub> calibration

The first OTP feature included is the ability to tune the V<sub>LCD</sub> voltage with a 6-bit code (MMVOPCAL). This code is implemented in twos complement notation giving rise to a positive or negative offset to the V<sub>PR</sub> register. The adder in the circuit has underflow and overflow protection. In the event of an overflow, the output will be clamped to 255; with an underflow, the output will be clamped to logic 0.

The final control to the high voltage generator, V<sub>OP</sub>, will be the sum of all the calibration registers according to Section 11.10, equation (4).

Table 20 V<sub>LCD</sub> calibration

MMVOPCAL						DECIMAL EQUIVALENT	V <sub>LCD</sub> OFFSET (mV)
5	4	3	2	1	0		
0	1	1	1	1	1	31	930
0	1	1	1	1	0	30	900
0	1	1	1	0	1	29	870
:	:	:	:	:	:	:	:
0	0	0	0	1	0	2	60
0	0	0	0	0	1	1	30
0	0	0	0	0	0	0	0
1	1	1	1	1	1	-1	-30
1	1	1	1	1	0	-2	-60
:	:	:	:	:	:	:	:
1	0	0	0	1	0	-30	-900
1	0	0	0	0	1	-31	-930
1	0	0	0	0	0	-32	-960

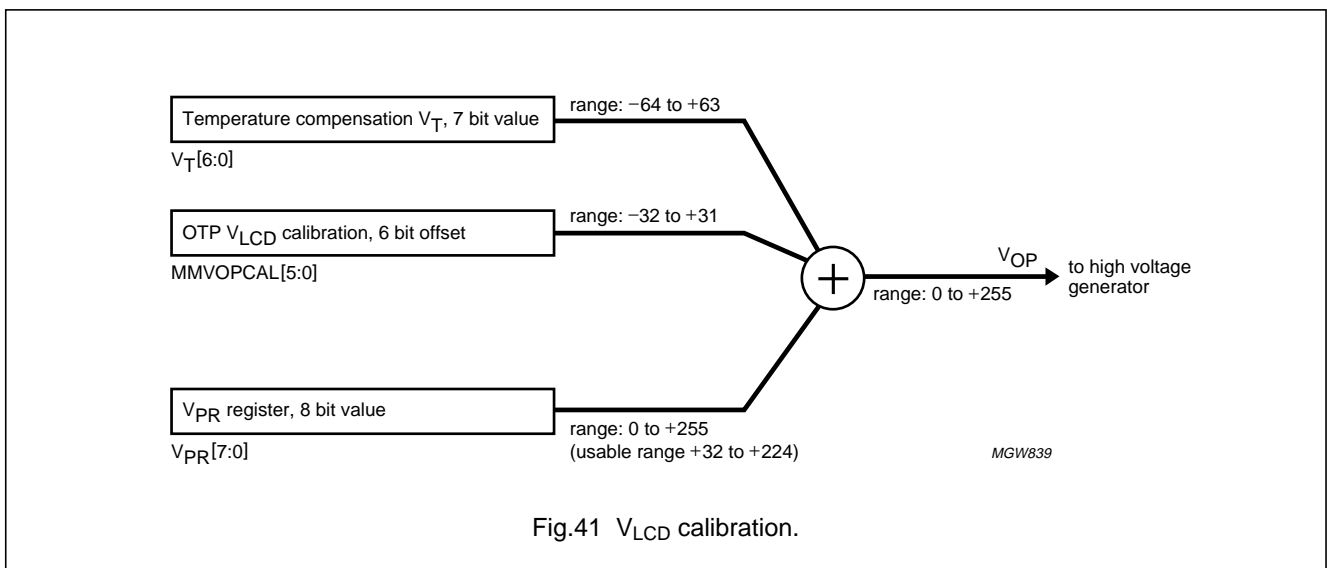


Fig.41 V<sub>LCD</sub> calibration.

# 65 x 96 pixels matrix grey-scale LCD driver

# OM6208

## 17.2 Factory defaults

### 17.2.1 CONFIGURATION DERIVED FROM OTP CELLS

In some instances it is desirable that the configuration is derived from OTP cells and not from user-configurable registers. It is therefore possible to pre-define the following features using the OTP facility:

- Default temperature compensation slopes
- Default charge pump multiplication factor
- Default  $V_{PR}$  value
- Default bias levels BS[2:0]
- Default frame frequency range in grey-scale mode GFR[2:0]
- Default oscillator tune in grey-scale mode GT[2:0]
- Default frame frequency in black-and-white mode SFR[2:0]
- Default oscillator tune in black-and-white mode ST[2:0]

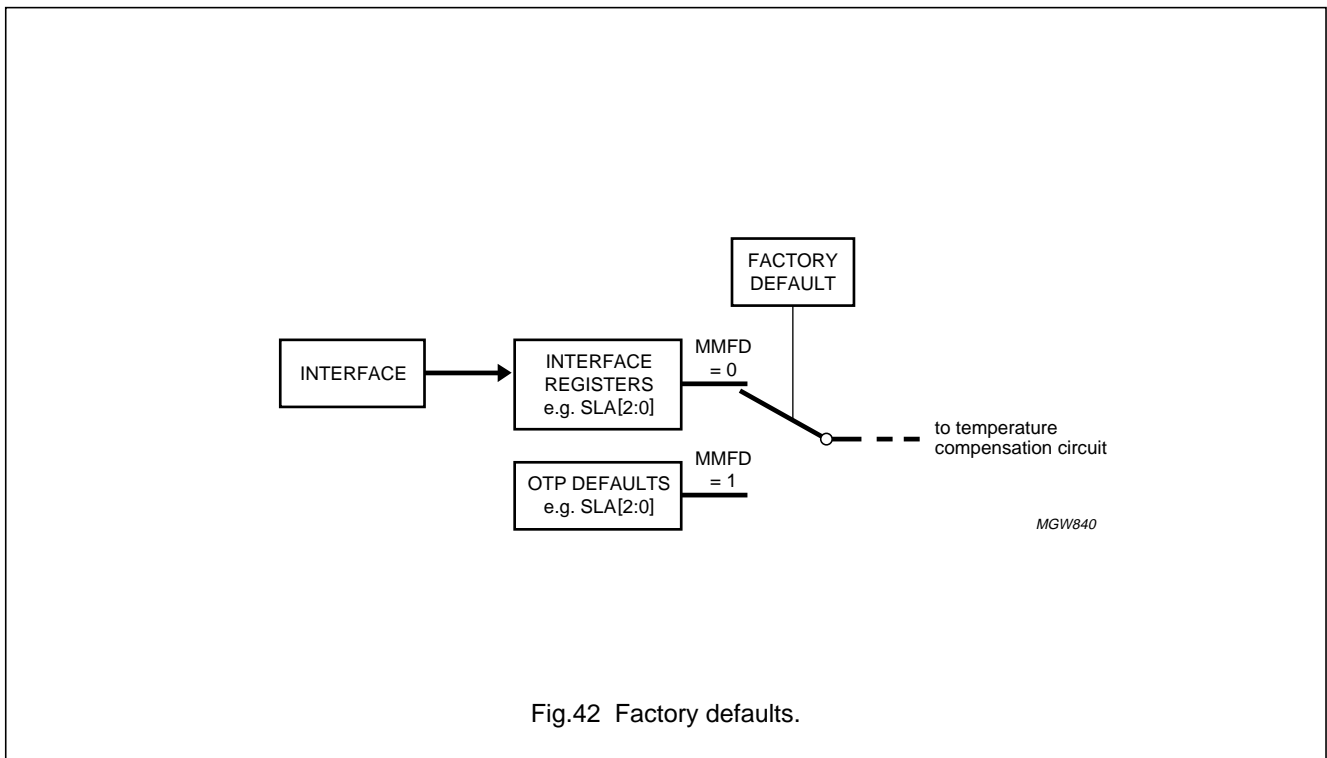
- Default N-line inversion NL[6:0]
- Default frame inversion FI
- Enable factory default FD
- Seal bit.

The selection of the mode for factory defaults is made by setting the factory default OTP cell bit MMFD.

**Table 21** Factory default bit MMFD

MMFD	ACTION
0	configuration data is taken from the interface
1	OTP values are used for configuration data

The operation can be shown as a switch that selects between two sources of data (see Fig.42). When the OTP defaults are selected, changing the default values via the interface is not possible.



65 x 96 pixels matrix grey-scale LCD driver

OM6208

17.2.2 DEFAULTS FROM INTERFACE REGISTERS

Factory defaults available from user-configurable registers are as follows:

- Temperature slope selection values are set by SLA[2:0], SLB[2:0], SLC[2:0] and SLD[2:0]
- Default charge pump multiplication factor value is set by S[1:0]
- Default  $V_{PR}$  value is set by  $V_{PR}[7:0]$
- Default bias level values are set by BS[2:0]
- Grey-scale mode default frame frequency and tuning values are set by GFR[2:0] and GT[2:0]
- Black-and-white mode default frame frequency and tuning values are set by SFR[2:0] and ST[2:0].

17.3 Seal bit

The module maker programming is performed in a special mode: the calibration mode (CALMM). This mode is entered via a special interface command, CALMM. To prevent wrongful programming, a seal bit has been implemented which prevents the device from entering the

calibration mode. This seal bit, once programmed, cannot be reversed, thus further changes in programmed values are not possible. Applying the programming voltages when not in CALMM mode has no effect on the programmed values.

Table 22 Seal bit definition

SEAL BIT	ACTION
0	possible to enter calibration mode
1	calibration mode disabled

17.4 OTP architecture

The OTP circuitry in the OM6208 contains many bits of data. The circuitry for one bit is called an OTP slice. Each OTP slice consists of two main parts: the OTP cell (a non-volatile memory cell) and the shift register cell (a flip-flop). The OTP cells are accessible only through their shift register cells: both reading from and writing to the OTP cells are performed with the shift register cells, but only the shift register cells are visible to the rest of the circuit. The basic OTP architecture is shown in Fig.43.

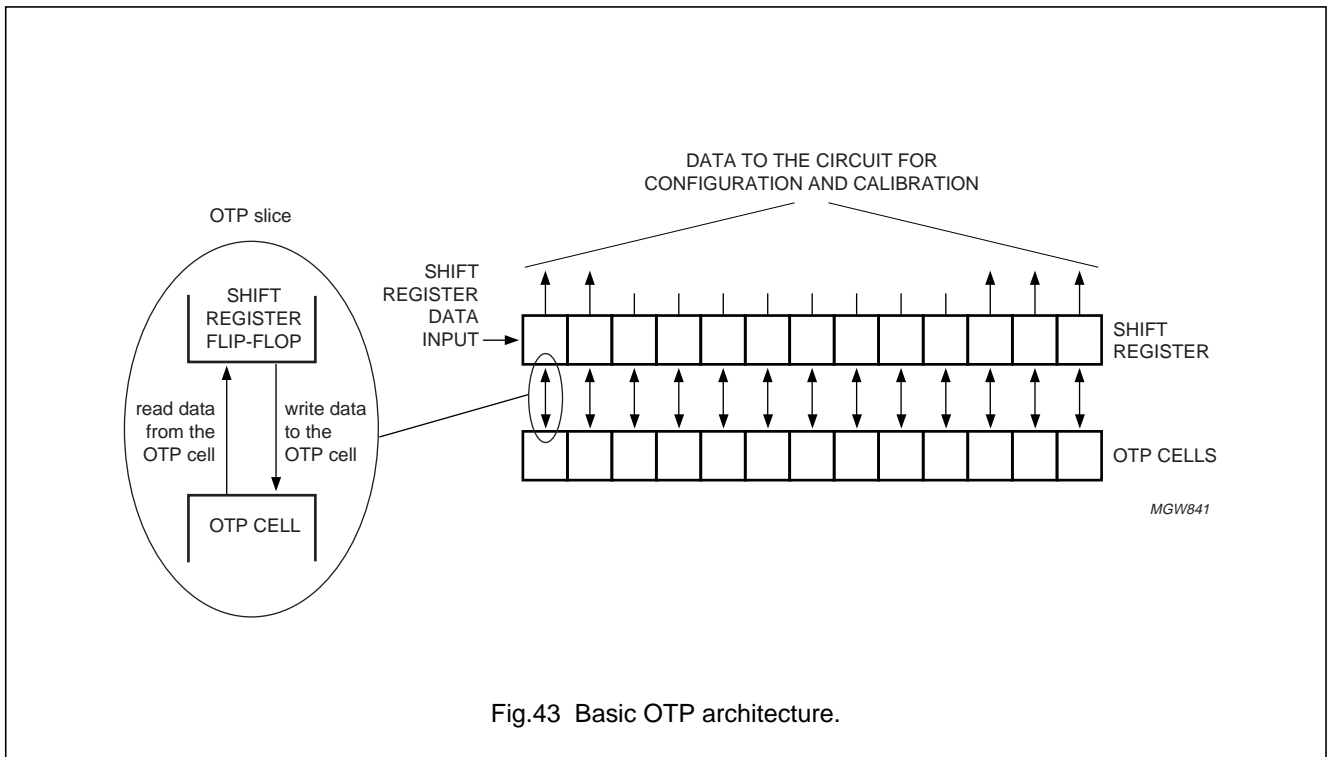


Fig.43 Basic OTP architecture.



## 65 x 96 pixels matrix grey-scale LCD driver

## OM6208

## 17.4.1 OTP OPERATIONAL EFFECTS

The OTP architecture allows the following operations:

- Reading data from the OTP cells. The content of the non-volatile OTP cells is transferred to the shift register where upon it may affect the OM6208 operation.
- Writing data to the OTP cells. First, all 9 bits of data are shifted into the shift register via the interface. Then the content of the shift register is transferred to the OTP cells (there are some limitations related to storing data in these cells, see Section 17.7).
- Checking calibration without writing to the OTP cells. Shifting data into the shift register allows the effects on the  $V_{LCD}$  voltage to be observed.

The reading of data from the OTP cells is initiated by writing to the DON register. The OTP cells will not be updated until the device leaves power down and the oscillator starts. The reading operation needs up to 5 ms to complete.

The shifting of the data into the shift register is performed in the special mode CALMM. In the OM6208, the CALMM mode is entered through the CALMM command. Once in the CALMM mode the data is shifted into the shift register via the interface at the rate of 1-bit per command. After transmitting the last bit and exiting the CALMM mode the serial interface is again in the normal mode and all other commands can be sent. Care should be taken that always all bits of data (or a multiple of all bits) are transferred before exiting the CALMM mode, otherwise the bits will be in the wrong positions.

In the shift register the value of the seal bit is, like the other bits, always zero at reset. To make sure the security feature works correctly, the CALMM command is disabled until a Power-down mode has been left. Once a refresh is completed, the seal bit value in the shift register is valid and permission to enter CALMM mode can thus be determined.

The bits are shifted into the shift register in a predefined order as shown in Table 23.

**Table 23** OTP bit order (See Fig.44 for a graphical representation)

POSITION	OTP CELL	POSITION	OTP CELL	POSITION	OTP CELL
1	MMVPR[7]	19	MMSLA[1]	37	MMGT[1]
2	MMVPR[6]	20	MMSLA[0]	38	MMGT[0]
3	MMVPR[5]	21	MMS[1]	39	MMSFR[2]
4	MMVPR[4]	22	MMS[0]	40	MMSFR[1]
5	MMVPR[3]	23	MMBS[2]	41	MMSFR[0]
6	MMVPR[2]	24	MMBS[1]	42	MMST[2]
7	MMVPR[1]	25	MMBS[0]	43	MMST[1]
8	MMVPR[0]	26	MMFD	44	MMST[0]
9	MMSLD[2]	27	MMVOPCAL[5]	45	MMNL[6]
10	MMSLD[1]	28	MMVOPCAL[4]	46	MMNL[5]
11	MMSLD[0]	29	MMVOPCAL[3]	47	MMNL[4]
12	MMSLC[2]	30	MMVOPCAL[2]	48	MMNL[3]
13	MMSLC[1]	31	MMVOPCAL[1]	49	MMNL[2]
14	MMSLC[0]	32	MMVOPCAL[0]	50	MMNL[1]
15	MMSLB[2]	33	MMGFR[2]	51	MMNL[0]
16	MMSLB[1]	34	MMGFR[1]	52	MMFI
17	MMSLB[0]	35	MMGFR[0]	53	SEAL
18	MMSLA[2]	36	MMGT[2]	–	–

## 65 x 96 pixels matrix grey-scale LCD driver

## OM6208

## 17.5 Interface commands

Table 24 OTP instructions

These instructions are in addition to those in the Instruction set, Table 7.

NAME	D/C	COMMAND BYTE								ACTION
		D7	D6	D5	D4	D3	D2	D1	D0	
OTP programming	0	1	1	1	1	0	0	OSE	CALMM	enter calibration mode and control programming
DON (refresh)	0	1	0	1	0	1	1	1	DON	display ON/OFF
Load 0	0	1	1	0	1	1	0	0	0	write 0 to shift register
Load 1	0	1	1	0	1	1	0	0	1	write 1 to shift register

## 17.5.1 CALMM INSTRUCTION

This instruction enters the device into the calibration mode. This mode enables the shift register for loading and allows programming of the non-volatile OTP cells to take place. If the seal bit is set, then this mode cannot be accessed and the instruction will be ignored. Once in calibration mode, data may be loaded into the shift register via the 'LOAD0' and 'LOAD1' instructions (on the falling edge of SCLK).

The CALMM mode may be left by setting the CALMM bit to logic 0. Reset will also clear this mode.

The programming can only take place when OTP Switch Enable (OSE) has been set to logic 1. This bit enables the  $V_{OTPPROG}$  input to be passed to the OTP cells. This allows  $V_{OTPGATE}$  to be tied to  $SCLH/\overline{SCE}$  on the module for normal operation. Reset will also clear this mode.

## 17.5.2 REFRESH INSTRUCTION

The action of the 'refresh' instruction is to force the OTP shift register to reload from the non-volatile OTP cells. This instruction takes up to 5 ms to complete. During this time all other instructions may be sent.

In the OM6208 the 'refresh' instruction is associated with the 'DON' instruction so that the shift register is automatically refreshed every time DON is enabled or disabled.

Note: If this instruction is sent while in power save mode, the DON bit will be updated but the refreshing is delayed until the device leaves power-down.

65 x 96 pixels matrix grey-scale LCD driver

OM6208

17.6 Example of filling the shift register

An example sequence of commands and data is shown in Table 25. In this example the shift register is filled with the following data: MMVPR = 11010000, and the seal bit is logic 0.

It is assumed that the OM6208 has just been reset. After transmitting the last bit, the OM6208 can exit or remain in CALMM mode (see step 1). Note that while in CALMM

mode the interface does not recognize commands in the normal sense.

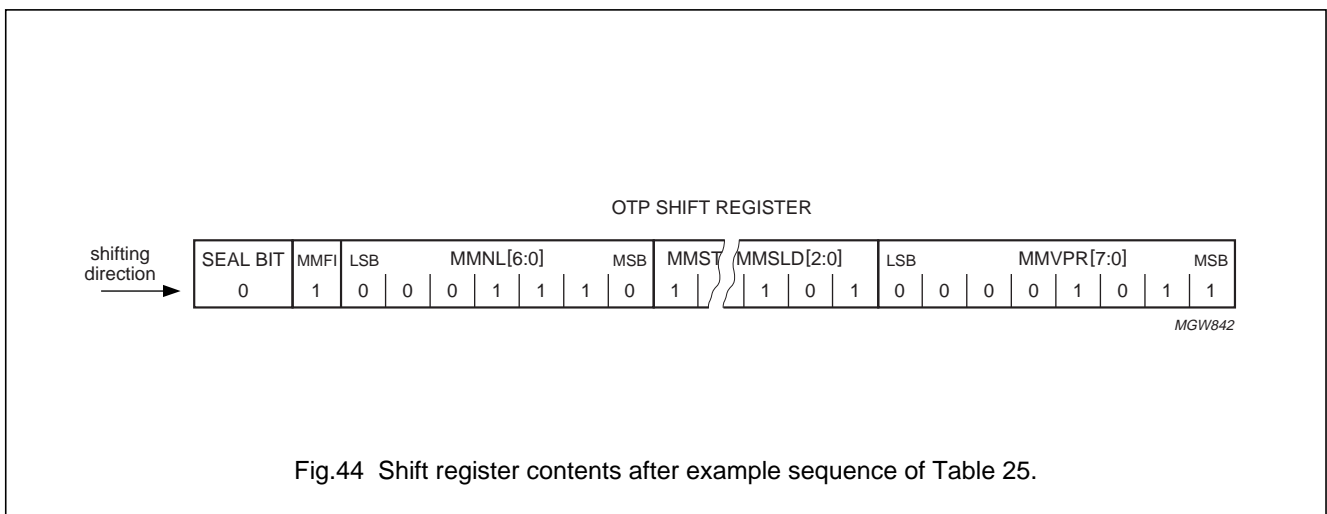
After this sequence has been applied it is possible to observe the impact of the data shifted in. The sequence described is not useful for OTP programming because the number of bits with the value logic 1' is greater than that allowed for programming (see Section 17.7). The shift register contents after this action are shown in Fig.44.

Table 25 Example sequence for filling the shift register

STEP	D/C	D7	D6	D5	D4	D3	D2	D1	D0	ACTION
1	0	1	0	1	0	1	1	1	1	exit power-down
2										wait 5 ms for refresh to take effect
3	0	1	1	1	1	0	0	0	1	enter CALMM mode
4	0	1	1	0	1	1	0	0	1	shift in data, first bit is MMVPR[7]; note 1
5	0	1	1	0	1	1	0	0	1	MMVPR[6]
6	0	1	1	0	1	1	0	0	0	MMVPR[5]
7	0	1	1	0	1	1	0	0	1	MMVPR[4]
8	0	1	1	0	1	1	0	0	0	MMVPR[3]
9	0	1	1	0	1	1	0	0	0	MMVPR[2]
10										
:	:	:	:	:	:	:	:	:	:	
57	0	1	1	0	1	1	0	0	1	MMFI
58	0	1	1	0	1	1	0	0	0	seal bit
59	0	1	1	1	1	0	0	0	0	exit CALMM mode

Note

1. The data for the bits is not in the correct shift register position until all bits have been sent.



65 x 96 pixels matrix grey-scale LCD driver

OM6208

**17.7 Programming flow**

Programming is achieved whilst in CALMM mode and with the application of the programming voltages. As the data for programming the OTP cell is contained in the corresponding shift register cell, the shift register cell must be loaded with a logic 1 in order to program the corresponding OTP cell. If the shift register cell contains a logic 0, then no action will take place when the programming voltages are applied.

Once an OTP cell is programmed it cannot be de-programmed. An already programmed cell (an OTP cell containing a logic 1) must not be reprogrammed.

A sequence of commands and data for OTP programming is shown as an example in Table 26.

Although the order for programming cells is not significant, it is recommended that the seal bit is programmed last. Once this bit has been programmed it will not be possible to re-enter the CALMM mode.

During programming, a substantial current flows in the  $V_{LCDIN}$  pin. For this reason it is recommended programming only one OTP cell at a time. This is achieved by filling all but one shift register cells with logic 0.

The programming specification refers to the voltages at the chip pads, therefore the contact resistance is significant and must be considered by the user.

**Table 26** Sequence for OTP programming

This sequence assumes the OM6208 has just been reset.

STEP	D/C	D7	D6	D5	D4	D3	D2	D1	D0	ACTION
1	0	1	0	1	0	1	1	1	1	exit power-down (DON = 1)
2										wait 5 ms for refresh to take effect
3	0	1	1	1	1	0	0	1	1	enter CALMM mode and OSE
4	0	1	1	0	1	1	0	0	1	shift-in data, MMVPR[7] is first bit; note 1
5	0	1	1	0	1	1	0	0	0	MMVPR[6]
6	0	1	1	0	1	1	0	0	0	MMVPR[5]
7	0	1	1	0	1	1	0	0	0	MMVPR[4]
7	0	1	1	0	1	1	0	0	0	MMVPR[3]
9	0	1	1	0	1	1	0	0	0	MMVPR[2]
10										
:	:	:	:	:	:	:	:	:	:	
58	0	1	1	0	1	1	0	0	0	MMFI
59	0	1	1	0	1	1	0	1	0	seal bit
60										apply programming voltage at pins $V_{OTPPROG}$ and $V_{LCDIN}$ according to Section 17.8
Repeat steps 5 to 60 for each bit that should be programmed to 1										
61										apply external reset

**Note**

1. The data for the bits is not in the correct shift register position until all the bits have been sent.

## 65 x 96 pixels matrix grey-scale LCD driver

## OM6208

## 17.8 Programming specification

Table 27 Programming specification (refer to Fig.45)

SYMBOL	PARAMETER	CONDITION	MIN.	TYP.	MAX.	UNIT
$V_{OTPPROG}$	voltage applied to pad $V_{OTPPROG}$	$V_{OTPPROG}$ relative to $V_{SS1}$ ; note 1 programming active programming inactive	11.0 $V_{SS} - 0.2$	11.5 0	12.0 $V_{DD1}$	V V
$V_{LCDIN}$	voltage applied to pad $V_{LCDIN}$	$V_{LCDIN}$ relative to $V_{SS1}$ ; notes 1 and 2 programming active programming inactive	9.0 $V_{SS2}$	9.5 $V_{DD2}$	10.0 4.5	V V
$I_{LCDIN}$	current drawn by pad $V_{LCDIN}$ during programming	when programming a single bit to logic 1	–	850	1000	$\mu A$
$I_{OTPPROG}$	current drawn by pad $V_{OTPPROG}$ during programming		–	100	200	$\mu A$
$T_{PROG}$	ambient temperature during programming		0	25	40	$^{\circ}C$
$t_{su(SCLK)}$	internal data set-up time after last clock		1	–	–	$\mu s$
$t_{hd(SCLK)}$	internal data hold time before next clock		1	–	–	$\mu s$
$t_{su(gate)}$	$V_{OTPPROG}$ gate set-up time prior to programming		1	–	10	$\mu s$
$t_{hd(gate)}$	$V_{OTPPROG}$ gate hold time after programming		1	–	10	$\mu s$
$t_{PW}$	pulse width of programming voltage		100	120	200	ms

## Notes

1. The voltage drop across the ITO track and zebra connector must be taken into account to guarantee sufficient voltage at the chip pads.
2. The Power-down mode ( $DON = 0$  and  $DAL = 1$ ) and CALMM mode must be active while the  $V_{LCDIN}$  input is being driven.

65 x 96 pixels matrix grey-scale LCD driver

OM6208

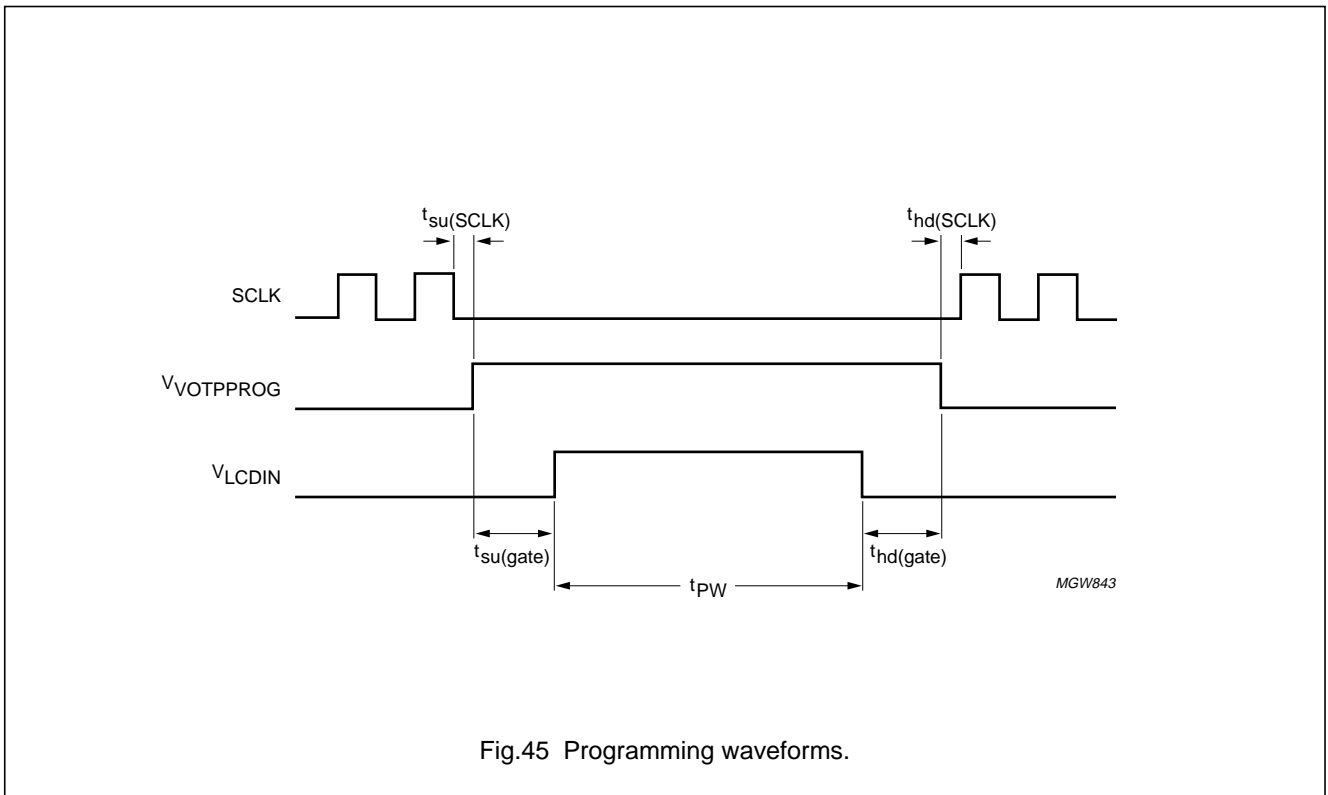
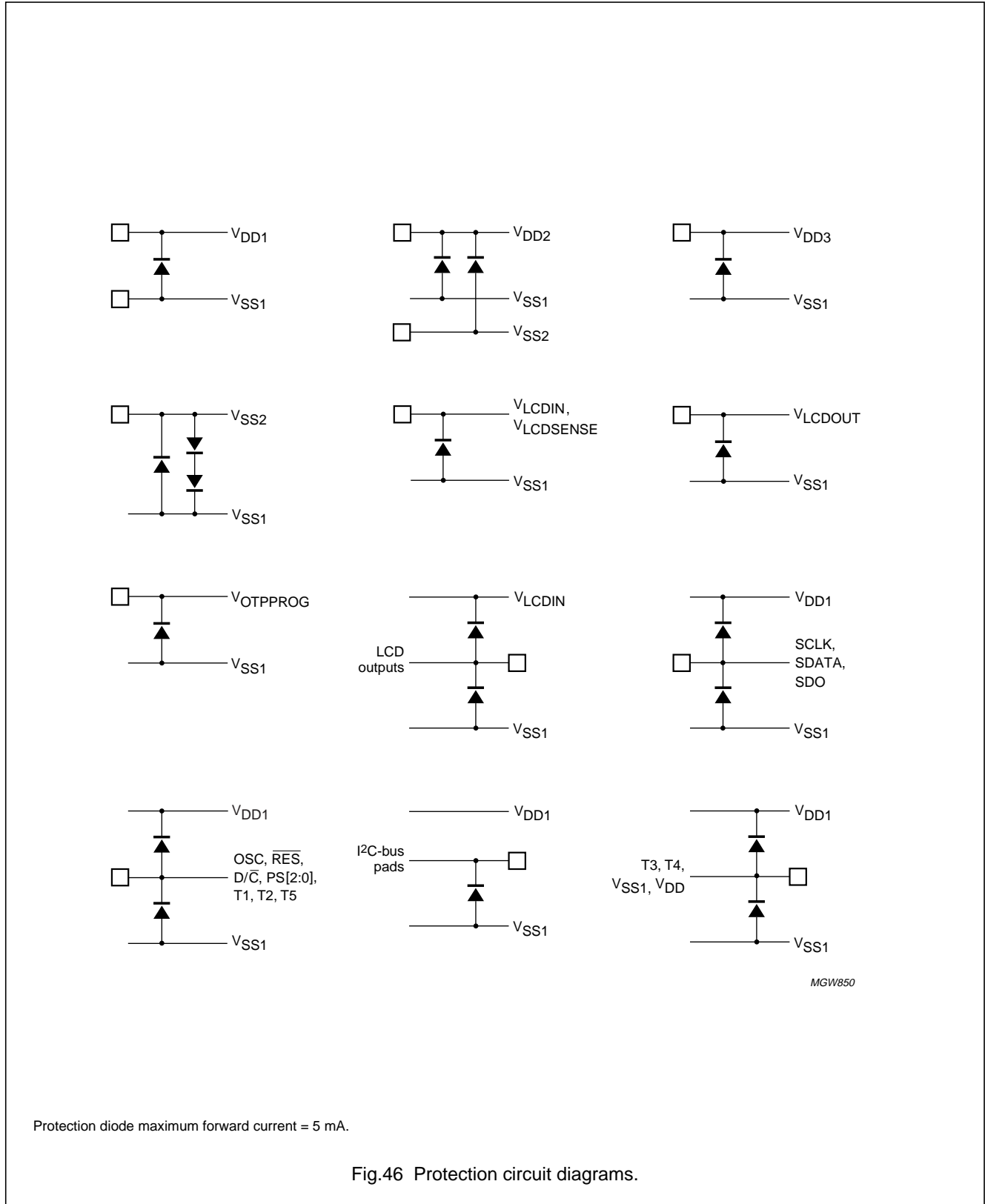


Fig.45 Programming waveforms.

65 x 96 pixels matrix grey-scale LCD driver

OM6208

18 DEVICE PROTECTION DIAGRAM



65 x 96 pixels matrix grey-scale LCD driver

OM6208

19 BONDING PAD INFORMATION

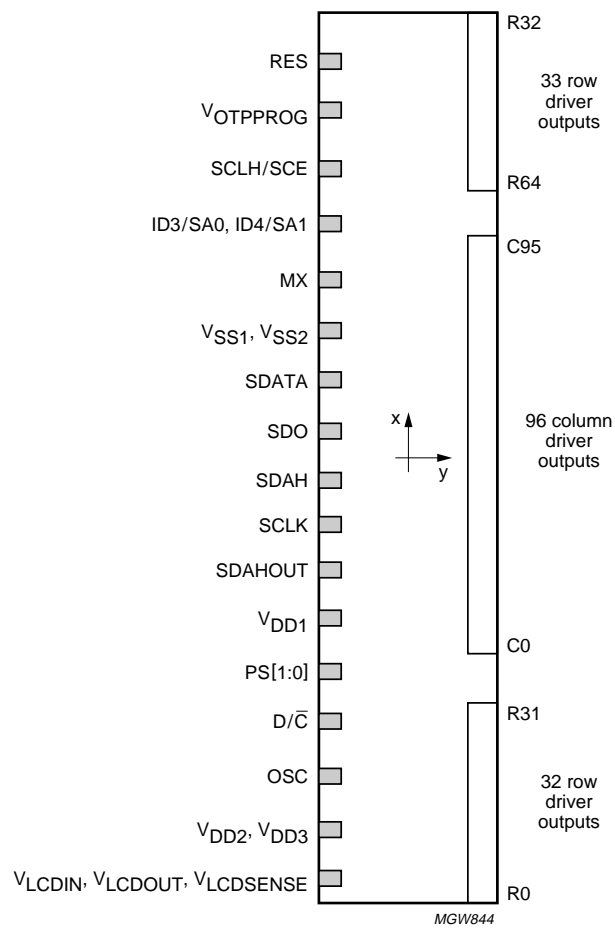


Fig.47 Bonding pad locations (viewed from bump side).



## 65 x 96 pixels matrix grey-scale LCD driver

## OM6208

**Table 28** Bonding pad locations

All x and y coordinates indicate pad centres and are referenced to the centre of the chip; dimensions in  $\mu\text{m}$  (see Fig.47).

SYMBOL	PAD	COORDINATES	
		x	y
dummy	1	-4919	+1279
dummy	2	-4856	+1279
alignment mark	3	-4762	+1220
dummy	4	-4649	+1279
V <sub>LCDIN</sub>	5	-4586	+1279
V <sub>LCDIN</sub>	6	-4523	+1279
V <sub>LCDIN</sub>	7	-4460	+1279
V <sub>LCDIN</sub>	8	-4397	+1279
V <sub>LCDOUT</sub>	9	-4323	+1279
V <sub>LCDOUT</sub>	10	-4260	+1279
V <sub>LCDOUT</sub>	11	-4197	+1279
V <sub>LCDOUT</sub>	12	-4134	+1279
V <sub>LCDOUT</sub>	13	-4071	+1279
V <sub>LCDOUT</sub>	14	-4008	+1279
V <sub>LCDOUT</sub>	15	-3945	+1279
V <sub>LCDSEN</sub>	16	-3882	+1279
V <sub>DD2</sub>	17	-3566	+1279
V <sub>DD2</sub>	18	-3503	+1279
V <sub>DD2</sub>	19	-3440	+1279
V <sub>DD2</sub>	20	-3377	+1279
V <sub>DD2</sub>	21	-3314	+1279
V <sub>DD2</sub>	22	-3251	+1279
V <sub>DD2</sub>	23	-3188	+1279
V <sub>DD2</sub>	24	-3125	+1279
V <sub>DD2</sub>	25	-3062	+1279
V <sub>DD2</sub>	26	-2999	+1279
V <sub>DD3</sub>	27	-2928	+1279
V <sub>DD3</sub>	28	-2865	+1279
V <sub>DD3</sub>	29	-2802	+1279
OSC	30	-2639	+1279
DC	31	-2475	+1279
PS1	32	-2345	+1279
PS0	33	-2217	+1279
V <sub>DD1</sub>	34	-2102	+1279
V <sub>DD1</sub>	35	-2039	+1279
V <sub>DD1</sub>	36	-1976	+1279

SYMBOL	PAD	COORDINATES	
		x	y
V <sub>DD1</sub>	37	-1913	+1279
V <sub>DD1</sub>	38	-1850	+1279
V <sub>DD1</sub>	39	-1787	+1279
dummy	40	-1669	+1279
dummy	41	-1503	+1279
dummy	42	-1337	+1279
dummy	43	-1172	+1279
SDAHOUT	44	-1006	+1279
dummy	45	-829	+1279
SCLK	46	-657	+1279
dummy	47	-468	+1279
dummy	48	-303	+1279
dummy	49	-137	+1279
dummy	50	29	1279
dummy	51	194	1279
SDAH	52	360	1279
SDO	53	605	1279
SDATA	54	696	1279
V <sub>SS2</sub>	55	795	1279
V <sub>SS2</sub>	56	858	1279
V <sub>SS2</sub>	57	921	1279
V <sub>SS2</sub>	58	984	1279
V <sub>SS2</sub>	59	1047	1279
V <sub>SS2</sub>	60	1110	1279
V <sub>SS2</sub>	61	1173	1279
V <sub>SS1</sub>	62	1246	1279
V <sub>SS1</sub>	63	1309	1279
V <sub>SS1</sub>	64	1372	1279
V <sub>SS1</sub>	65	1435	1279
V <sub>SS1</sub>	66	1498	1279
V <sub>SS1</sub>	67	1561	1279
MX	68	1693	1279
T3	69	1865	1279
T4	70	2028	1279
T1	71	2114	1279
T2	72	2232	1279
T5	73	2350	1279
T6	74	2468	1279
ID3_SA0	75	2586	1279

## 65 x 96 pixels matrix grey-scale LCD driver

## OM6208

SYMBOL	PAD	COORDINATES	
		x	y
ID4_SA1	76	2704	1279
VDD1	77	2849	1279
dummy	78	3005	1279
dummy	79	3171	1279
dummy	80	3336	1279
dummy	81	3502	1279
dummy	82	3667	1279
SCLH	83	3833	1279
VOTPPROG	84	3958	1279
VOTPPROG	85	4021	1279
VOTPPROG	86	4084	1279
dummy	87	4243	1279
RES	88	4387	1279
dummy	89	4489	1279
dummy	90	4552	1279
dummy	91	4615	1279
dummy	92	4678	1279
alignment mark	93	4799	1220
bumps alignment mark	94	4902	1258
dummy	95	+4900	-1275
dummy	96	+4849	-1275
dummy	97	+4797	-1275
dummy	98	+4745	-1275
dummy	99	+4693	-1275
dummy	100	+4641	-1275
dummy	101	+4589	-1275
dummy	102	+4538	-1275
dummy	103	+4486	-1275
dummy	104	+4434	-1275
R32	105	+4330	-1275
R33	106	+4278	-1275
R34	107	+4227	-1275
R35	108	+4175	-1275
R36	109	+4123	-1275
R37	110	+4071	-1275
R38	111	+4019	-1275
R39	112	+3967	-1275
R40	113	+3916	-1275
R41	114	+3864	-1275

SYMBOL	PAD	COORDINATES	
		x	y
R42	115	+3812	-1275
R43	116	+3760	-1275
R44	117	+3708	-1275
R45	118	+3656	-1275
R46	119	+3604	-1275
R47	120	+3553	-1275
R48	121	+3501	-1275
R49	122	+3449	-1275
R50	123	+3397	-1275
R51	124	+3345	-1275
R52	125	+3293	-1275
R53	126	+3242	-1275
R54	127	+3190	-1275
R55	128	+3138	-1275
R56	129	+3086	-1275
R57	130	+3034	-1275
R58	131	+2982	-1275
R59	132	+2931	-1275
R60	133	+2879	-1275
R61	134	+2829	-1275
R62	135	+2775	-1275
R63	136	+2723	-1275
R64	137	+2671	-1275
VC	138	+2620	-1275
dummy	139	+2568	-1275
dummy	140	+2516	-1275
T8	141	+2413	-1275
T7	142	+2360	-1275
V1_L	143	+2308	-1275
C95	144	+2257	-1275
C94	145	+2205	-1275
C93	146	+2153	-1275
C92	147	+2101	-1275
C91	148	+2049	-1275
C90	149	+1997	-1275
C89	150	+1946	-1275
C88	151	+1894	-1275
C87	152	+1842	-1275
C86	153	+1790	-1275

## 65 x 96 pixels matrix grey-scale LCD driver

## OM6208

SYMBOL	PAD	COORDINATES	
		x	y
C85	154	+1738	-1275
C84	155	+1686	-1275
C83	156	+1635	-1275
C82	157	+1583	-1275
C81	158	+1531	-1275
C80	159	+1479	-1275
C79	160	+1427	-1275
C78	161	+1375	-1275
C77	162	+1324	-1275
C76	163	+1272	-1275
C75	164	+1219.86	-1275
C74	165	+1168	-1275
C73	166	+1116	-1275
C72	167	+1064	-1275
C71	168	+961	-1275
C70	169	+909	-1275
C69	170	+857	-1275
C68	171	+805	-1275
C67	172	+753	-1275
C66	173	+701	-1275
C65	174	+650	-1275
C64	175	+598	-1275
C63	176	+546	-1275
C62	177	+494	-1275
C61	178	+442	-1275
C60	179	+390	-1275
C59	180	+339	-1275
C58	181	+287	-1275
C57	182	+235	-1275
C56	183	+183	-1275
C55	184	+131	-1275
C54	185	+79	-1275
C53	186	+28	-1275
C52	187	-24	-1275
C51	188	-76	-1275
C50	189	-128	-1275
C49	190	-180	-1275
C48	191	-232	-1275
dummy	192	-283	-1275

SYMBOL	PAD	COORDINATES	
		x	y
dummy	193	-335	-1275
C47	194	-387	-1275
C46	195	-439	-1275
C45	196	-491	-1275
C44	197	-543	-1275
C43	198	-595	-1275
C42	199	-646	-1275
C41	200	-698	-1275
C40	201	-750	-1275
C39	202	-802	-1275
C38	203	-854	-1275
C37	204	-906	-1275
C36	205	-957	-1275
C35	206	-1009	-1275
C34	207	-1061	-1275
C33	208	-1113	-1275
C32	209	-1165	-1275
C31	210	-1217	-1275
C30	211	-1268	-1275
C29	212	-1320	-1275
C28	213	-1372	-1275
C27	214	-1424	-1275
C26	215	-1476	-1275
C25	216	-1528	-1275
C24	217	-1579	-1275
C23	218	-1683	-1275
C22	219	-1735	-1275
C21	220	-1787	-1275
C20	221	-1839	-1275
C19	222	-1891	-1275
C18	223	-1942	-1275
C17	224	-1994	-1275
C16	225	-2046	-1275
C15	226	-2098	-1275
C14	227	-2150	-1275
C13	228	-2202	-1275
C12	229	-2253	-1275
C11	230	-2305	-1275
C10	231	-2357	-1275

## 65 x 96 pixels matrix grey-scale LCD driver

## OM6208

SYMBOL	PAD	COORDINATES	
		x	y
C9	232	-2409	-1275
C8	233	-2461	-1275
C7	234	-2513	-1275
C6	235	-2564	-1275
C5	236	-2616	-1275
C4	237	-2668	-1275
C3	238	-2720	-1275
C2	239	-2772	-1275
C1	240	-2824	-1275
C0	241	-2875	-1275
dummy	242	-2927	-1275
dummy	243	-2979	-1275
V1_H	244	-3031	-1275
V2_L	245	-3083	-1275
V2_H	246	-3135	-1275
R31	247	-3187	-1275
R30	248	-3238	-1275
R29	249	-3290	-1275
R28	250	-3342	-1275
R27	251	-3394	-1275
R26	252	-3446	-1275
R25	253	-3498	-1275
R24	254	-3549	-1275
R23	255	-3601	-1275
R22	256	-3653	-1275

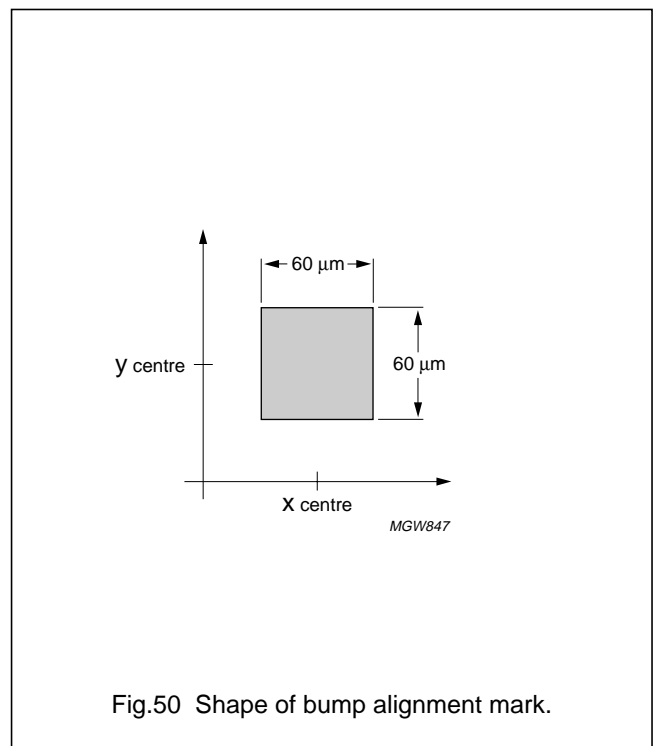
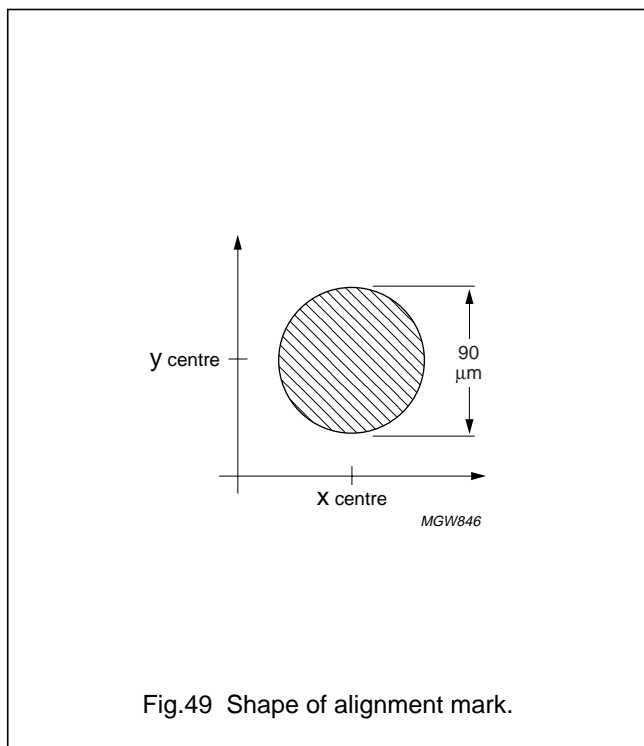
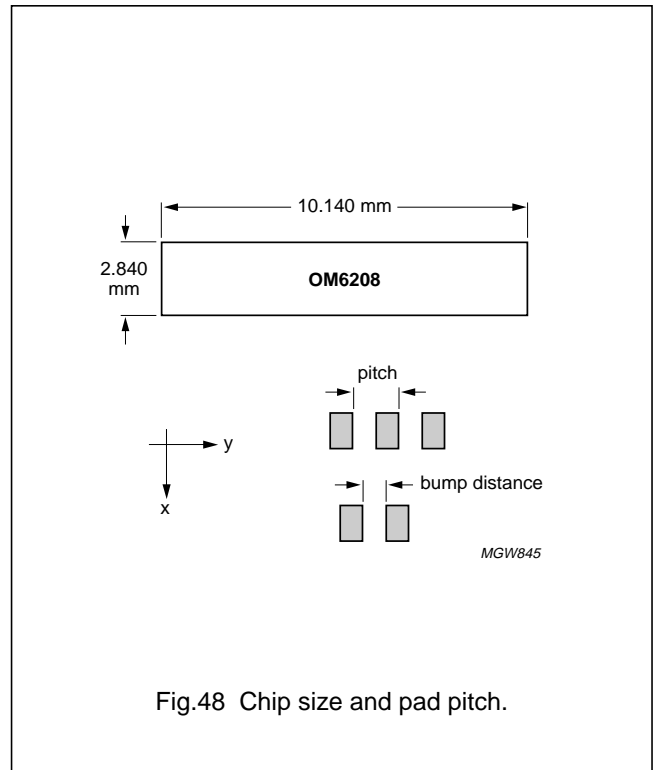
SYMBOL	PAD	COORDINATES	
		x	y
R21	257	-3705	-1275
R20	258	-3757	-1275
R19	259	-3809	-1275
R18	260	-3860	-1275
R17	261	-3912	-1275
R16	262	-3964	-1275
R15	263	-4016	-1275
R14	264	-4068	-1275
R13	265	-4120	-1275
R12	266	-4171	-1275
R11	267	-4223	-1275
R10	268	-4275	-1275
R9	269	-4327	-1275
R8	270	-4379	-1275
R7	271	-4431	-1275
R6	272	-4483	-1275
R5	273	-4534	-1275
R4	274	-4586	-1275
R3	275	-4638	-1275
R2	276	-4690	-1275
R1	277	-4742	-1275
R0	278	-4794	-1275
dummy	279	-4845	-1275
dummy	280	-4897	-1275

65 x 96 pixels matrix grey-scale LCD driver

OM6208

**Table 29** Chip information

ITEM	ROW/COL SIDE	UNIT
<b>Row/column side</b>		
Pad pitch	51.84 (minimum)	μm
CBB opening	15.3 × 5.4	μm
Bump dimensions	30.0 × 99 (±3)	μm
Bump height	15.0	μm
Minimum bump distance	21.8	μm
Wafer thickness (excl. bumps)	381 (±25)	μm
<b>Interface side</b>		
Pad pitch	63 (minimum)	μm
CBB opening	25.7 × 5.4	μm
Bump dimensions	42 × 90 (±3)	μm
Bump height	15.0	μm
Minimum bump distance	shortened bumps: 21 normal bumps: 22	μm
Wafer thickness (excl. bumps)	381 (±25)	μm



65 x 96 pixels matrix grey-scale LCD driver

OM6208

20 TRAY INFORMATION

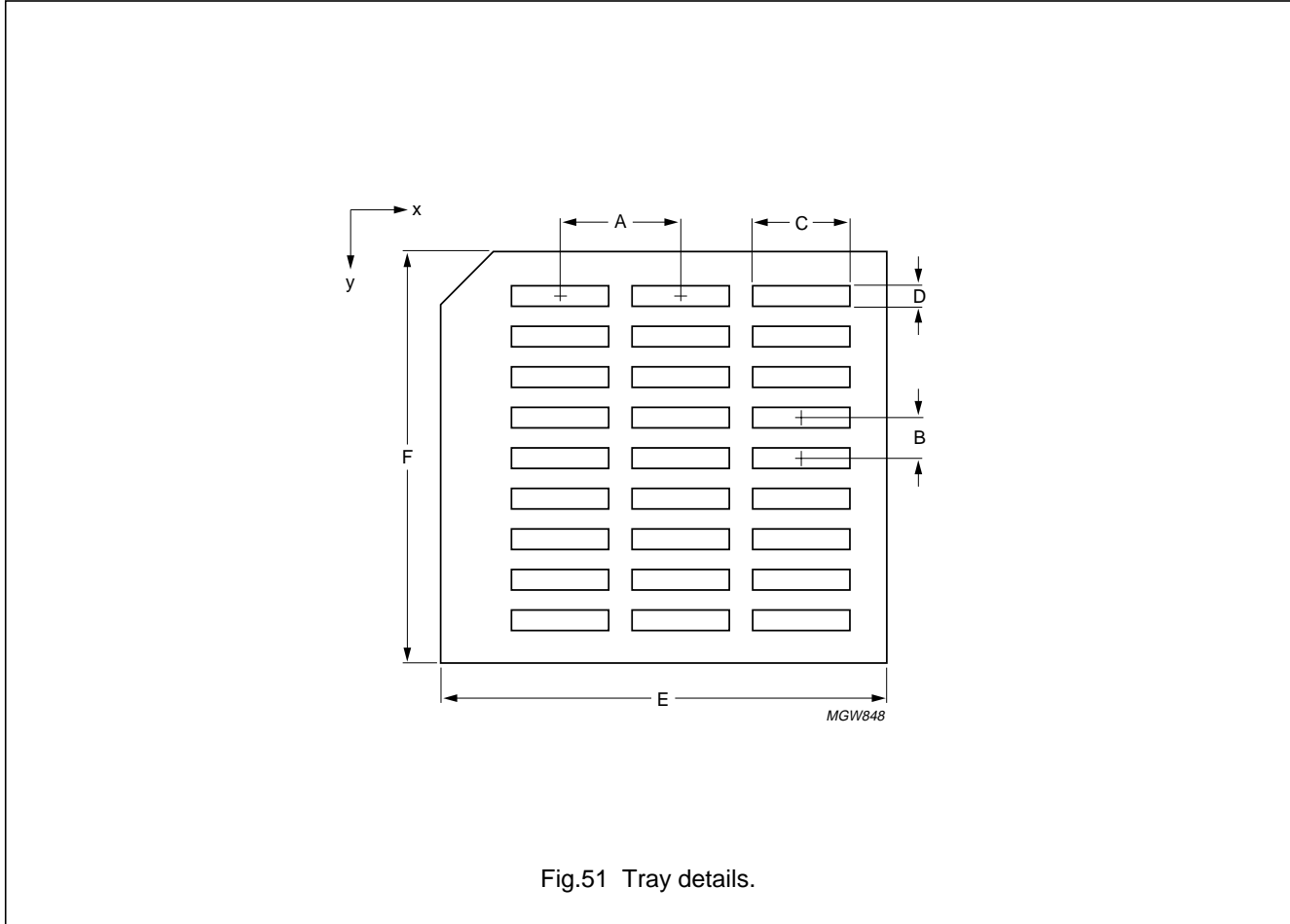
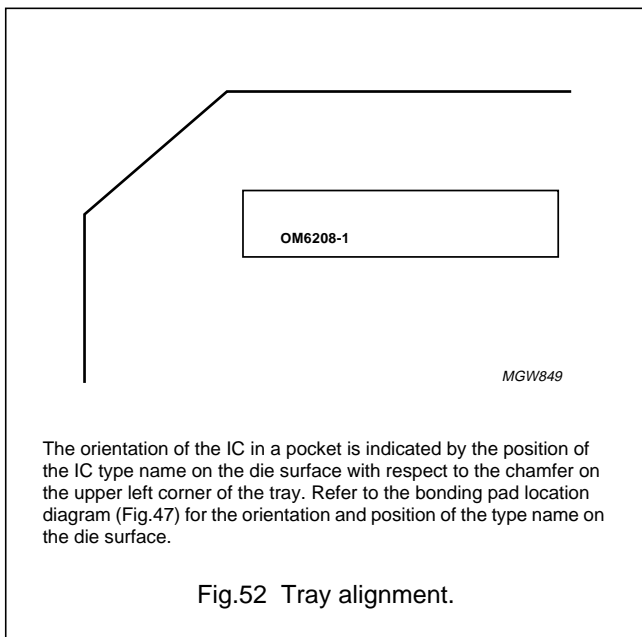


Fig.51 Tray details.



The orientation of the IC in a pocket is indicated by the position of the IC type name on the die surface with respect to the chamfer on the upper left corner of the tray. Refer to the bonding pad location diagram (Fig.47) for the orientation and position of the type name on the die surface.

Fig.52 Tray alignment.

Table 30 Tray dimensions

DIM.	DESCRIPTION	VALUE
A	pocket pitch, x direction	14.25 mm
B	pocket pitch, y direction	4.87 mm
C	pocket width, x direction	10.24 mm
D	pocket width, y direction	2.94mm
E	tray width, x direction	50.80 mm
F	tray width, y direction	50.80 mm
x	number of pockets in X direction	3
y	number of pockets in Y direction	9

## 65 x 96 pixels matrix grey-scale LCD driver

OM6208

## 21 DATA SHEET STATUS

LEVEL	DATA SHEET STATUS <sup>(1)</sup>	PRODUCT STATUS <sup>(2)(3)</sup>	DEFINITION
I	Objective data	Development	This data sheet contains data from the objective specification for product development. Philips Semiconductors reserves the right to change the specification in any manner without notice.
II	Preliminary data	Qualification	This data sheet contains data from the preliminary specification. Supplementary data will be published at a later date. Philips Semiconductors reserves the right to change the specification without notice, in order to improve the design and supply the best possible product.
III	Product data	Production	This data sheet contains data from the product specification. Philips Semiconductors reserves the right to make changes at any time in order to improve the design, manufacturing and supply. Relevant changes will be communicated via a Customer Product/Process Change Notification (CPCN).

## Notes

1. Please consult the most recently issued data sheet before initiating or completing a design.
2. The product status of the device(s) described in this data sheet may have changed since this data sheet was published. The latest information is available on the Internet at URL <http://www.semiconductors.philips.com>.
3. For data sheets describing multiple type numbers, the highest-level product status determines the data sheet status.

## 22 DEFINITIONS

**Short-form specification** — The data in a short-form specification is extracted from a full data sheet with the same type number and title. For detailed information see the relevant data sheet or data handbook.

**Limiting values definition** — Limiting values given are in accordance with the Absolute Maximum Rating System (IEC 60134). Stress above one or more of the limiting values may cause permanent damage to the device. These are stress ratings only and operation of the device at these or at any other conditions above those given in the Characteristics sections of the specification is not implied. Exposure to limiting values for extended periods may affect device reliability.

**Application information** — Applications that are described herein for any of these products are for illustrative purposes only. Philips Semiconductors make no representation or warranty that such applications will be suitable for the specified use without further testing or modification.

## 23 DISCLAIMERS

**Life support applications** — These products are not designed for use in life support appliances, devices, or systems where malfunction of these products can reasonably be expected to result in personal injury. Philips Semiconductors customers using or selling these products for use in such applications do so at their own risk and agree to fully indemnify Philips Semiconductors for any damages resulting from such application.

**Right to make changes** — Philips Semiconductors reserves the right to make changes in the products - including circuits, standard cells, and/or software - described or contained herein in order to improve design and/or performance. When the product is in full production (status 'Production'), relevant changes will be communicated via a Customer Product/Process Change Notification (CPCN). Philips Semiconductors assumes no responsibility or liability for the use of any of these products, conveys no licence or title under any patent, copyright, or mask work right to these products, and makes no representations or warranties that these products are free from patent, copyright, or mask work right infringement, unless otherwise specified.

---

**65 x 96 pixels matrix grey-scale LCD driver****OM6208**

---

**Bare die** — All die are tested and are guaranteed to comply with all data sheet limits up to the point of wafer sawing for a period of ninety (90) days from the date of Philips' delivery. If there are data sheet limits not guaranteed, these will be separately indicated in the data sheet. There are no post packing tests performed on individual die or wafer. Philips Semiconductors has no control of third party procedures in the sawing, handling,

packing or assembly of the die. Accordingly, Philips Semiconductors assumes no liability for device functionality or performance of the die or systems after third party sawing, handling, packing or assembly of the die. It is the responsibility of the customer to test and qualify their application in which the die is used.

**24 PURCHASE OF PHILIPS I<sup>2</sup>C COMPONENTS**

Purchase of Philips I<sup>2</sup>C components conveys a license under the Philips' I<sup>2</sup>C patent to use the components in the I<sup>2</sup>C system provided the system conforms to the I<sup>2</sup>C specification defined by Philips. This specification can be ordered using the code 9398 393 40011.



65 x 96 pixels matrix grey-scale LCD driver

OM6208

---

**NOTES**

65 x 96 pixels matrix grey-scale LCD driver

OM6208

---

**NOTES**

65 x 96 pixels matrix grey-scale LCD driver

OM6208

---

**NOTES**

# ***Philips Semiconductors – a worldwide company***

## **Contact information**

For additional information please visit <http://www.semiconductors.philips.com>. Fax: +31 40 27 24825

For sales offices addresses send e-mail to: [sales.addresses@www.semiconductors.philips.com](mailto:sales.addresses@www.semiconductors.philips.com).

© Koninklijke Philips Electronics N.V. 2003

SCA75

All rights are reserved. Reproduction in whole or in part is prohibited without the prior written consent of the copyright owner.

The information presented in this document does not form part of any quotation or contract, is believed to be accurate and reliable and may be changed without notice. No liability will be accepted by the publisher for any consequence of its use. Publication thereof does not convey nor imply any license under patent- or other industrial or intellectual property rights.

Printed in The Netherlands

403512/02/pp68

Date of release: 2003 feb 10

Document order number: 9397 750 11077

*Let's make things better.*

**Philips  
Semiconductors**



**PHILIPS**