

**LB1838M**

## Low-saturation, Bidirectional Motor Driver for Low-voltage Applications

### Overview

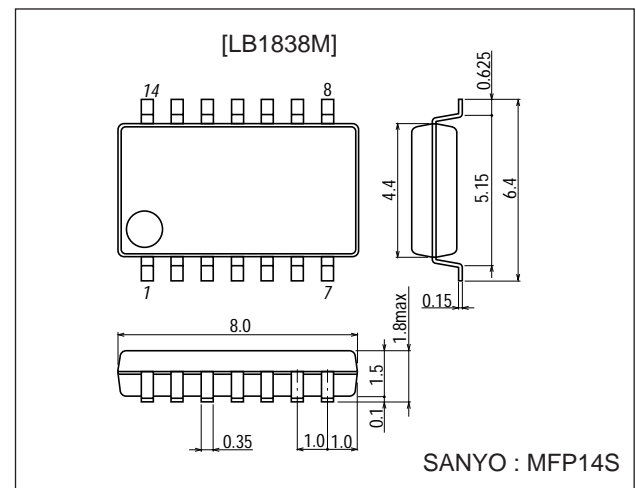
The LB1838M is a low-saturation two-channel bidirectional motor driver IC for use in low-voltage applications. The LB1838M is a bipolar stepper-motor driver IC that is ideal for use in printers, FDDs, cameras and other portable devices.

### Features

- Low voltage operation (2.5 V min)
- Low saturation voltage (upper transistor + lower transistor residual voltage; 0.40 V at 400 mA).
- Through-current prevention circuit built in
- Separate logic power supply and motor power supply
- Spark killer diodes built in
- Thermal shutdown circuit built in
- Compact package (14-pin MFP)

### Package Dimensions

unit : mm

**3111-MFP14S**

### Specifications

#### Absolute Maximum Ratings at Ta = 25°C

Parameter	Symbol	Conditions	Ratings	Unit
Maximum supply voltage	V <sub>CC</sub> max		-0.3 to +10.5	V
	V <sub>S</sub> max		-0.3 to +10.5	V
Output applied voltage	V <sub>OUT</sub>		V <sub>S</sub> +V <sub>SF</sub>	V
Input applied voltage	V <sub>IN</sub>		-0.3 to +10	V
Ground pin flow-out current	IGND	Per channel	1.0	A
Allowable power dissipation	Pd max1	Independent IC	550	mW
	Pd max2	* With board	800	mW
Operating temperature	Topr		-20 to +75	°C
Storage temperature	Tstg		-40 to +125	°C

\*Note: Mounted on 20 x 30 x 1.5 mm<sup>3</sup> glass epoxy PCB

- Any and all SANYO products described or contained herein do not have specifications that can handle applications that require extremely high levels of reliability, such as life-support systems, aircraft's control systems, or other applications whose failure can be reasonably expected to result in serious physical and/or material damage. Consult with your SANYO representative nearest you before using any SANYO products described or contained herein in such applications.
- SANYO assumes no responsibility for equipment failures that result from using products at values that exceed, even momentarily, rated values (such as maximum ratings, operating condition ranges, or other parameters) listed in products specifications of any and all SANYO products described or contained herein.

## LB1838M

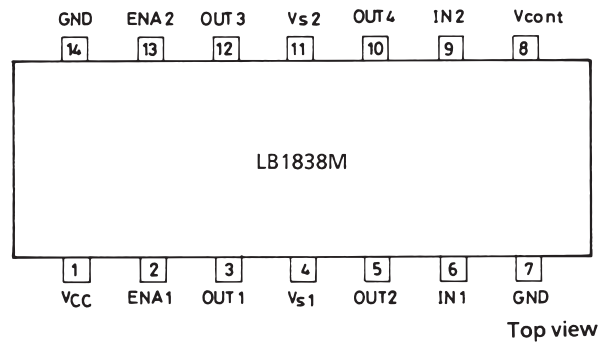
### Allowable Operating Ranges at Ta = 25°C

Parameter	Symbol	Conditions	Ratings	Unit
Supply voltage	V <sub>CC</sub>		2.5 to 9.0	V
	V <sub>S</sub>		1.8 to 9.0	V
Input high-level voltage	V <sub>IH</sub>		1.8 to 9.0	V
Input low-level voltage	V <sub>IL</sub>		-0.3 to +0.7	V

### Electrical Characteristics at Ta = 25°C, V<sub>CC</sub> = 3 V

Parameter	Symbol	Conditions	Ratings			Unit
			min	typ	max	
Supply current 1	I <sub>CC0</sub>	ENA1, 2 = 0 V, V <sub>IN</sub> 1 = 3 V or 0 V		0.1	10	μA
Supply current 2	I <sub>CC1</sub>	ENA1 = 3 V, V <sub>IN</sub> 1 = 3 V or 0 V		12	18	mA
Output saturation voltage	V <sub>OUT1</sub>	ENA = 3 V, V <sub>IN</sub> = 3 V or 0 V, I <sub>OUT</sub> = 200 mA		0.2	0.28	V
	V <sub>OUT2</sub>	ENA = 3 V, V <sub>IN</sub> = 3 V or 0 V, I <sub>OUT</sub> = 400 mA		0.4	0.6	V
Input current 1	I <sub>IN</sub>	V <sub>CC</sub> = 6 V, V <sub>IN</sub> = 6 V			200	μA
Input current 2	I <sub>ENA</sub>	V <sub>CC</sub> = 6 V, ENA = 6 V			200	μA
Output sustaining voltage	V <sub>O(sus)</sub>	I <sub>OUT</sub> = 400 mA	9			V
Spark killer diode reverse current	I <sub>S(Leak)</sub>	V <sub>CC1</sub> , V <sub>S</sub> = 7 V			30	μA
Spark killer diode forward voltage	V <sub>SF</sub>	I <sub>OUT</sub> = 400 mA			1.7	V

### Pin Assignment

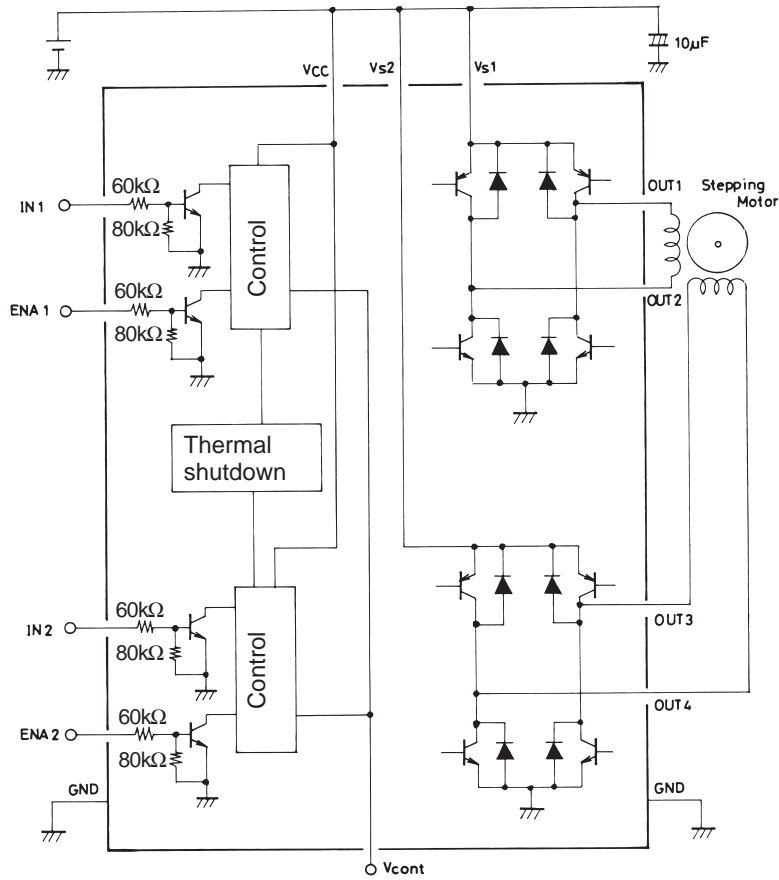


Note: Both GND pins should be connected to ground.

### Truth Table

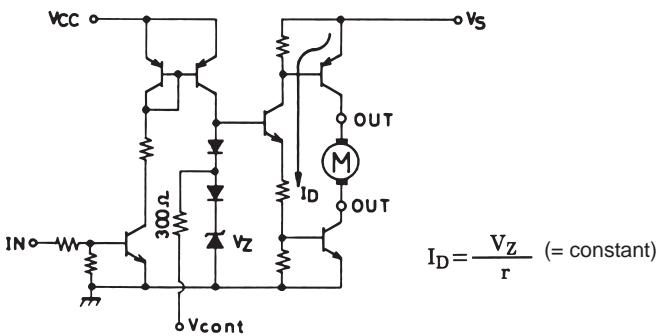
IN 1, 2	ENA 1, 2	OUT 1, 3	OUT 2, 4	Mode
L	H	H	L	Forward
H	H	L	H	Reverse
L	L	OFF	OFF	Standby
H	L	OFF	OFF	Standby

Block Diagram



Note: As long as the voltages applied to  $V_{CC}$ ,  $V_{S1}$ ,  $V_{S2}$ ,  $ENA1$ ,  $ENA2$ ,  $IN1$ , and  $IN2$  are within the limits set by the absolute maximum ratings, there are no restrictions on the relationship of each voltage level in comparison with the others (regarding which is higher or lower). (ex.  $V_{CC} = 3\text{ V}$ ,  $V_{S1, 2} = 2\text{ V}$ ,  $ENA = IN = 5\text{ V}$ )

Vcont pin

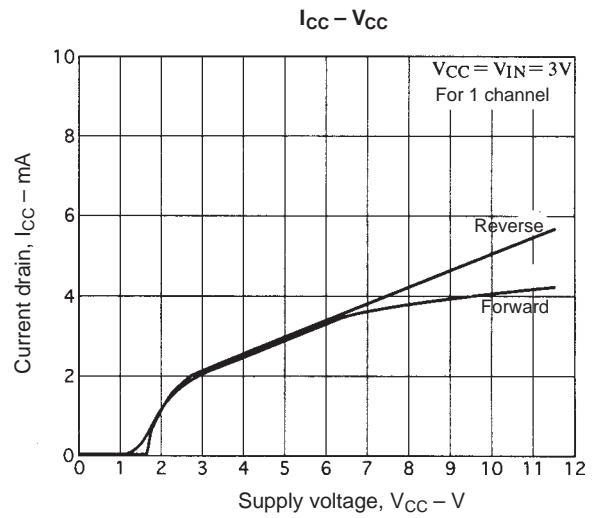
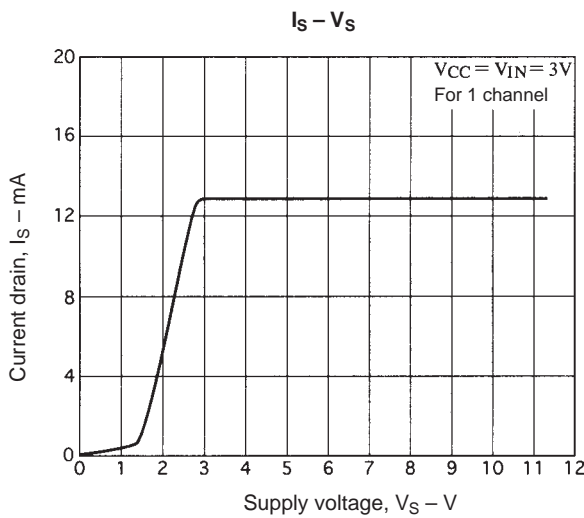
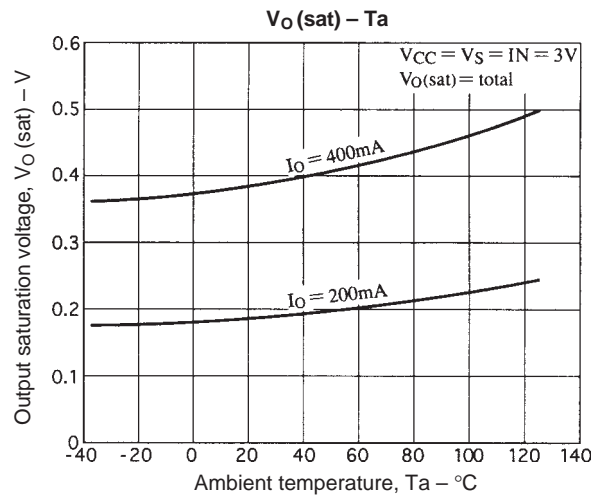
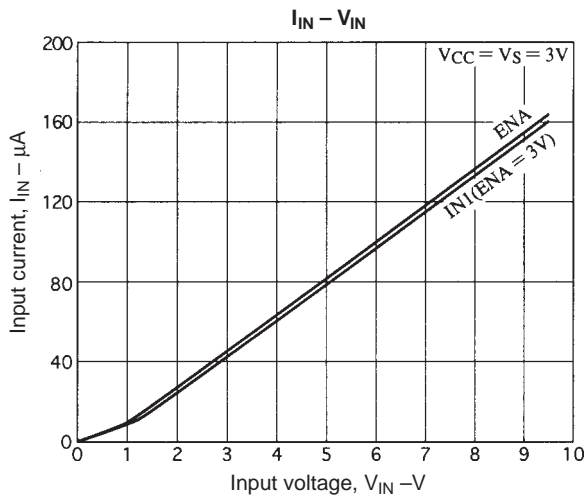
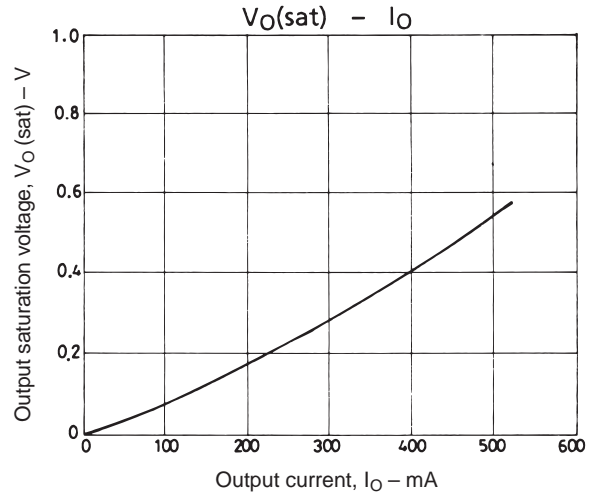
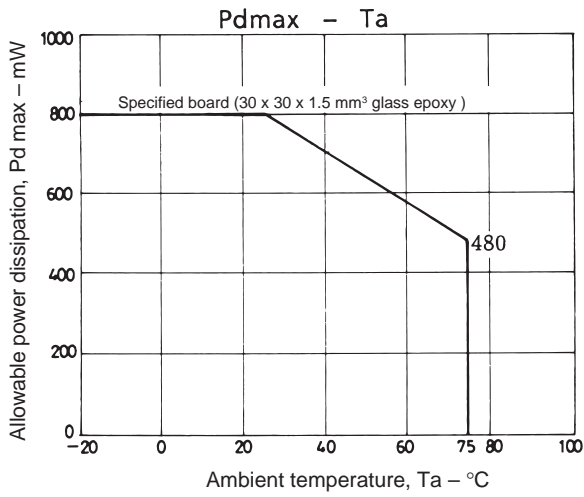


As shown in the above diagram, the Vcont pin outputs the voltage of the band gap Zener  $V_Z + V_F (= 1.93\text{ V})$ .

In normal use, this pin is left open.

The drive current  $I_D$  is varied by the Vcont voltage. However, because the band gap Zener is shared, it functions as a bridge.

# LB1838M



- Specifications of any and all SANYO products described or contained herein stipulate the performance, characteristics, and functions of the described products in the independent state, and are not guarantees of the performance, characteristics, and functions of the described products as mounted in the customer's products or equipment. To verify symptoms and states that cannot be evaluated in an independent device, the customer should always evaluate and test devices mounted in the customer's products or equipment.
- SANYO Electric Co., Ltd. strives to supply high-quality high-reliability products. However, any and all semiconductor products fail with some probability. It is possible that these probabilistic failures could give rise to accidents or events that could endanger human lives, that could give rise to smoke or fire, or that could cause damage to other property. When designing equipment, adopt safety measures so that these kinds of accidents or events cannot occur. Such measures include but are not limited to protective circuits and error prevention circuits for safe design, redundant design, and structural design.
- In the event that any or all SANYO products(including technical data, services) described or contained herein are controlled under any of applicable local export control laws and regulations, such products must not be exported without obtaining the export license from the authorities concerned in accordance with the above law.
- No part of this publication may be reproduced or transmitted in any form or by any means, electronic or mechanical, including photocopying and recording, or any information storage or retrieval system, or otherwise, without the prior written permission of SANYO Electric Co., Ltd.
- Any and all information described or contained herein are subject to change without notice due to product/technology improvement, etc. When designing equipment, refer to the "Delivery Specification" for the SANYO product that you intend to use.
- Information (including circuit diagrams and circuit parameters) herein is for example only ; it is not guaranteed for volume production. SANYO believes information herein is accurate and reliable, but no guarantees are made or implied regarding its use or any infringements of intellectual property rights or other rights of third parties.

This catalog provides information as of August, 1999. Specifications and information herein are subject to change without notice.