

SIEMENS

3.3V 2M x 64-Bit SDRAM Module
3.3V 2M x 72-Bit SDRAM Module

HYS64V2100G(C)U-10
HYS72V2100G(C)U-10

168 pin unbuffered DIMM Modules

- 168 Pin JEDEC Standard, Unbuffered 8 Byte Dual-In-Line SDRAM Module for PC main memory applications
- 1 bank 2M x 64, 2M x 72 organisation
- Optimized for byte-write non-parity or ECC applications
- Fully PC66 layout compatible
- JEDEC standard Synchronous DRAMs (SDRAM)
- Performance:

		-10
f _{CK}	Max. Clock frequency	66 MHz @ CL=2 100 MHz @ CL=3
t _{AC}	Max. access time from clock	9 ns @ CL=2 8 ns @ CL=3

- Single +3.3V(± 0.3V) power supply
- Programmable $\overline{\text{CAS}}$ Latency, Burst Length and Wrap Sequence (Sequential & Interleave)
- Auto Refresh (CBR) and Self Refresh
- Decoupling capacitors mounted on substrate
- All inputs, outputs are LVTTTL compatible
- Serial Presence Detect with E²PROM
- Utilizes eight / nine 2M x 8 SDRAMs in TSOPII-44 packages
- 4096 refresh cycles every 64 ms
- Gold contact pad
- Card Size: 133,35mm x 29,21mm x 3,00mm for HYS64/72V2100GU
- HYS64/72V2100GCU in chip-on-board technique
- Card Size : 133,35mm x 25,40mm x 3,00mm for HYS64/72V2100GCU
-

The HYS64(72)V2100G(C)U-10 are industry standard 168-pin 8-byte Dual in-line Memory Modules (DIMMs) which are organised as 2M x 64 and 2M x 72 high speed memory arrays designed with Synchronous DRAMs (SDRAMs) for non-parity and ECC applications. The DIMMs use eight 2M x 8 SDRAMs for the 2M x 64 organisation and an additional SDRAM for the 2M x 72 organisation. Decoupling capacitors are mounted on the PC board.

The DIMMs have a serial presence detect, implemented with a serial E²PROM using the two pin I²C protocol. The first 128 bytes are utilized by the DIMM manufacturer and the second 128 bytes are available to the end user.

All SIEMENS 168-pin DIMMs provide a high performance, flexible 8-byte interface in a 133,35 mm long footprint.

Ordering Information

Type	Ordering Code	Package	Descriptions
HYS 64V2100GU-10		L-DIM-168-27	PC66 2M x 64 SDRAM module
HYS 72V2100GU-10		L-DIM-168-27	PC66 2M x 72 SDRAM module
HYS 64V2100GCU-10		L-DIM-168-C1	PC66 2M x 64 SDRAM COB module
HYS 72V2100GCU-10		L-DIM-168-C1	PC66 2M x 72 SDRAM COB module

Pin Names

Pin Name	Function	Signal	Description
A0-A10	Address Inputs(RA0 ~ RA10 / CA0 ~ CA8)	CLK0, CLK1	Clock Input
A11 (BS)	Bank Select	DQMB0 - DQMB7	Data Mask
DQ0 - DQ63	Data Input/Output	CS0 - CS3	Chip Select
CB0-CB7	Check Bits (x72 organisation only)	Vcc	Power (+3.3 Volt)
RAS	Row Address Strobe	Vss	Ground
CAS	Column Address Strobe	SCL	Clock for Presence Detect
WE	Read / Write Input	SDA	Serial Data Out for Presence Detect
CKE0	Clock Enable	N.C.	No Connection

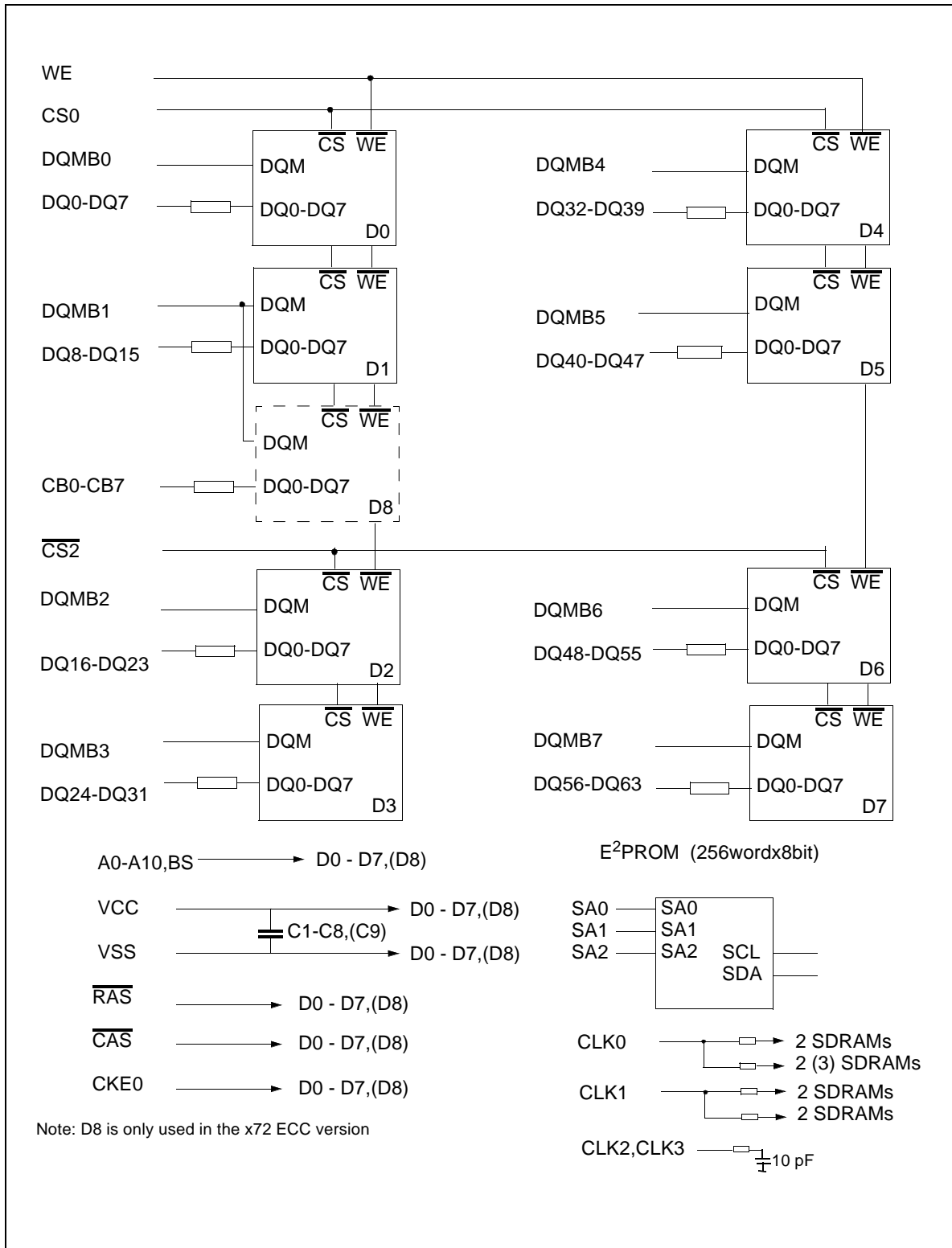
Address Format:

	Part Number	Rows	Columns	Bank Select	Refresh	Period	Interval
2M x 64	HYS64V2100G(C)U	11	9	1	4k	64 ms	15,6 μs
2M x 72	HYS72V2100G(C)U	11	9	1	4k	64 ms	15,6 μs

Pin Configuration

PIN #	Symbol	PIN #	Symbol	PIN #	Symbol	PIN #	Symbol
1	VSS	43	VSS	85	VSS	127	VSS
2	DQ0	44	DU	86	DQ32	128	CKE0
3	DQ1	45	CS2	87	DQ33	129	NC
4	DQ2	46	DQMB2	88	DQ34	130	DQMB6
5	DQ3	47	DQMB3	89	DQ35	131	DQMB7
6	VCC	48	DU	90	VCC	132	NC
7	DQ4	49	VCC	91	DQ36	133	VCC
8	DQ5	50	NC	92	DQ37	134	NC
9	DQ6	51	NC	93	DQ38	135	NC
10	DQ7	52	NC (CB2)	94	DQ39	136	CB6
11	DQ8	53	NC (CB3)	95	DQ40	137	CB7
12	VSS	54	VSS	96	VSS	138	VSS
13	DQ9	55	DQ16	97	DQ41	139	DQ48
14	DQ10	56	DQ17	98	DQ42	140	DQ49
15	DQ11	57	DQ18	99	DQ43	141	DQ50
16	DQ12	58	DQ19	100	DQ44	142	DQ51
17	DQ13	59	VCC	101	DQ45	143	VCC
18	VCC	60	DQ20	102	VCC	144	DQ52
19	DQ14	61	NC	103	DQ46	145	NC
20	DQ15	62	DU	104	DQ47	146	DU
21	NC (CB0)	63	NC	105	NC (CB4)	147	NC
22	NC (CB1)	64	VSS	106	NC (CB5)	148	VSS
23	VSS	65	DQ21	107	VSS	149	DQ53
24	NC	66	DQ22	108	NC	150	DQ54
25	NC	67	DQ23	109	NC	151	DQ55
26	VCC	68	VSS	110	VCC	152	VSS
27	WE	69	DQ24	111	CAS	153	DQ56
28	DQMB0	70	DQ25	112	DQMB4	154	DQ57
29	DQMB1	71	DQ26	113	DQMB5	155	DQ58
30	CS0	72	DQ27	114	NC	156	DQ59
31	DU	73	VCC	115	RAS	157	VCC
32	VSS	74	DQ28	116	VSS	158	DQ60
33	A0	75	DQ29	117	A1	159	DQ61
34	A2	76	DQ30	118	A3	160	DQ62
35	A4	77	DQ31	119	A5	161	DQ63
36	A6	78	VSS	120	A7	162	VSS
37	A8	79	CLK2	121	A9	163	CLK3
38	A10	80	NC	122	A11=BS	164	NC
39	NC	81	NC	123	NC	165	SA0
40	VCC	82	SDA	124	VCC	166	SA1
41	VCC	83	SCL	125	CLK1	167	SA2
42	CLK0	84	VCC	126	NC	168	VCC

Note : Pinnames in brackets are for the x72 ECC versions



Block Diagram for 2M x 64/72 SDRAM DIMM modules

DC Characteristics

$T_A = 0$ to 70 °C; $V_{SS} = 0$ V; $V_{DD}, V_{DDQ} = 3.3$ V \pm 0.3 V

Parameter	Symbol	Limit Values		Unit
		min.	max.	
Input high voltage	V_{IH}	2.0	$V_{CC}+0.3$	V
Input low voltage	V_{IL}	-0.5	0.8	V
Output high voltage ($I_{OUT} = -2.0$ mA)	V_{OH}	2.4	-	V
Output low voltage ($I_{OUT} = 2.0$ mA)	V_{OL}	-	0.4	V
Input leakage current, any input (0 V < $V_{IN} < 3.6$ V, all other inputs = 0 V)	$I_{I(L)}$	-40	40	μ A
Output leakage current (DQ is disabled, 0 V < $V_{OUT} < V_{CC}$)	$I_{O(L)}$	-40	40	μ A

Capacitance

$T_A = 0$ to 70 °C; $V_{DD} = 3.3$ V \pm 0.3 V, $f = 1$ MHz

Parameter	Symbol	Limit Values		Unit
		min. (x64)	max. (x72)	
Input capacitance (A0 to A10, BS, \overline{RAS} , \overline{CAS} , \overline{WE})	C_{I1}	45	55	pF
Input capacitance (CS0 - CS3)	C_{I2}	20	25	pF
Input capacitance (CLK0 - CLK3)	C_{I3}	22	38	pF
Input capacitance (DQMB0 - DQMB7)	C_{I4}	13	13	pF
Input / Output capacitance (DQ0-DQ63, CB0-CB7)	C_{IO}	12	12	pF
Input Capacitance (SCL, SA0-2)	C_{SC}	8	8	pF
Input/Output Capacitance	C_{sd}	10	10	pF

Standby and Refresh Currents ($T_a = 0$ to 70°C , $V_{CC} = 3.3\text{V} \pm 0.3\text{V}$)

Parameter	Symbol	Test Condition			Note	
			X64	X72		
Operating Current	Icc1	Burst length = 4, CL=3 trc>=trc(min.), tck>=tck(min.), I _o =0 mA 2 bank interleave operation	800	900	mA mA	1,2
Precharged Standby Current in Power Down Mode	Icc2P	CKE<=VIL(max), tck>=tck(min.)	24	27	mA	
	Icc2PS	CKE<=VIL(max), tck=infinite	16	18	mA	
Precharged Standby Current in Non-power Down Mode	Icc2N	CKE>=VIH(min), tck>=tck (min.), input changed once in 3 cycles	160	180	mA	$\overline{\text{CS}} = \text{High}$
	Icc2NS	CKE>=VIH(min), tck=infinite, no input change	80	90	mA	
Active Standby Current in Power Down Mode	Icc3P	CKE<=VIL(max), tck>=tck(min.)	24	27	mA	
	Icc3PS	CKE<=VIL(max), tck=infinite	16	18	mA	
Active Standby Current in Non-power Down Mode	Icc3N	CKE>=VIH(min), tck>=tck (min.) input changed one time	200	225	mA	$\overline{\text{CS}} = \text{High}$
	Icc3NS	CKE>=VIH(min), tck=infinite, no input change	120	135	mA	
Burst Operating Current	Icc4	Burst length = full page, trc = infinite, CL = 3, tck>=tck (min.), I _o = 0 mA 2 banks activated	760	855	mA mA	1,2
Auto (CBR) Refresh Current	Icc5	trc>=trc(min)	720	810	mA mA	1,2
Self Refresh Current	Icc6	CKE=<0,2V	16	18	mA	1,2

AC Characteristics 3)4)

$T_A = 0$ to 70 °C; $V_{SS} = 0$ V; $V_{CC} = 3.3$ V \pm 0.3 V, $t_T = 1$ ns

Parameter	Symbol	Limit Values		Unit	Note
		-10			
		min	max		

Clock and Clock Enable

Clock Cycle Time	$\overline{\text{CAS}}$ Latency = 3	t_{CK}	10		ns	
	$\overline{\text{CAS}}$ Latency = 2		15		ns	
	$\overline{\text{CAS}}$ Latency = 1		30		ns	
System Frequency	$\overline{\text{CAS}}$ Latency = 3	f_{CK}	–	100	MHz	
	$\overline{\text{CAS}}$ Latency = 2		–	66	MHz	
	$\overline{\text{CAS}}$ Latency = 1		–	33	MHz	
Clock Access Time	$\overline{\text{CAS}}$ Latency = 3	t_{AC}	–	8	ns	5
	$\overline{\text{CAS}}$ Latency = 2		–	9	ns	
	$\overline{\text{CAS}}$ Latency = 1		–	27	ns	
Clock High Pulse Width		t_{CH}	3.5	–	ns	
Clock Low Pulse Width		t_{CL}	3.5	–	ns	
CKE Setup Time		t_{CKS}	3	–	ns	6
CKE Hold Time		t_{CKH}	1	–	ns	6
CKE Setup Time (Power down mode)		t_{CKSP}	3	–	ns	6
CKE Setup Time (Self Refresh Exit)		t_{CKSR}	8	–	ns	8
Transition time (rise and fall)		t_T	1	30	ns	

Common Parameters

Command Setup time		t_{CS}	3	–	ns	6
Command Hold Time		t_{CH}	1	–	ns	6
Address Setup Time		t_{AS}	3	–	ns	6
Address Hold Time		t_{AH}	1	–	ns	6
$\overline{\text{RAS}}$ to $\overline{\text{CAS}}$ delay		t_{RCD}	30	–	ns	
Cycle Time		t_{RC}	75	120k	ns	
Active Command Period		t_{RAS}	45	120k	ns	
Precharge Time		t_{RP}	30	–	ns	

Parameter	Symbol	Limit Values		Unit	Note
		-10			
		min	max		
Bank to Bank Delay Time	t_{RRD}	20	–	ns	
\overline{CAS} to \overline{CAS} delay time (same bank)	t_{CCD}	1	–	CLK	

Refresh Cycle

Self Refresh Exit Time	t_{SREX}	2Clk + t_{RC}	–	ns	8
Refresh Period (4096 cycles)	t_{REF}	–	64	ms	7

Read Cycle

Data Out Hold Time	t_{OH}	3	–	ns	
Data Out to Low Impedance Time	t_{LZ}	0	–	ns	
Data Out to High Impedance Time	t_{HZ}	–	6	ns	9
\overline{CAS} Latency = 3		–	8	ns	
\overline{CAS} Latency = 2		–	25	ns	
\overline{CAS} Latency = 1					
DQM Data Out Disable Latency	t_{DQZ}	2	–	CLK	

Write Cycle

Data In Setup Time	t_{DS}	3	–	ns	
Data In Hold Time	t_{DH}	1	–	ns	
Data input to Precharge	t_{DPL}	2	–	CLK	
Data In to Active/refresh	t_{DAL}	5	–	CLK	10
DQM Write Mask Latency	t_{DQW}	0	–	CLK	

A serial presence detect storage device - E²PROM - is assembled onto the module. Information about the module configuration, speed, etc. is written into the E²PROM device during module production using a serial presence detect protocol (I²C synchronous 2-wire bus)

SPD-Table:

Byte#	Description	SPD Entry Value	Hex	
			x64	x72
0	Number of SPD bytes	128	80	80
1	Total bytes in Serial PD	256	08	08
2	Memory Type	SDRAM	04	04
3	Number of Row Addresses (without BS bits)	11	0B	0B
4	Number of Column Addresses (for x 8 SDRAM)	9	09	09
5	Number of DIMM Banks	1	01	01
6	Module Data Width	64 / 72	40	48
7	Module Data Width (contd)	0	00	00
8	Module Interface Levels	LVTTL	01	01
9	SDRAM Cycle Time at CL=3	8.0 / 10.0 / 12.0 ns	A0	A0
10	SDRAM Access time from Clock at CL=3	8.0 ns	80	80
11	Dimm Config (Error Det/Corr.)	none / ECC	00	02
12	Refresh Rate/Type	Self-Refresh, 15.6µs	80	80
13	SDRAM width, Primary	x8	08	08
14	Error Checking SDRAM data width	n/a / x8	00	08
15	Minimum clock delay for back-to-back random column address	t _{ccd} = 1 CLK	01	01
16	Burst Length supported	1, 2, 4, 8 & full page	8F	8F
17	Number of SDRAM banks	2	02	02
18	Supported CAS Latencies	CAS latency = 1, 2 & 3	07	07
19	CS Latencies	CS latency = 0	01	01
20	WE Latencies	Write latency = 0	01	01
21	SDRAM DIMM module attributes	non buffered/non reg.	00	00
22	SDRAM Device Attributes :General	V _{cc} tol +/- 10%	06	06
23	SDRAM Cycle Time at CL = 2	15.0 ns	F0	F0
24	SDRAM Access time from Clock at CL = 2	9.0 ns	90	90
25	SDRAM Cycle Time at CL = 1	30 ns	78	78
26	SDRAM Access time from Clock at CL=1	27 ns	6C	6C
27	Minimum Row Precharge Time	30 ns	1E	1E

SPD-Table (contd)

Byte#	Description	SPD Entry Value	Hex	
			x64	x72
28	Minimum Row Active to Row Active delay tRRD	20 ns	14	14
29	Minimum RAS to CAS delay tRCD	30 ns	1E	1E
30	Minimum RAS pulse width tRAS	45 ns	2D	2D
31	Module Bank Density (per bank)	16 MByte	04	04
32-61	Superset information (may be used in future)		FF	FF
62	SPD Revision	Revision 1	01	01
63	Checksum for bytes 0 - 62		F3	05
64-127	Manufacturers information (optional) (FFh if not used)		FF	FF
128+	Unused storage locations		FF	FF

