

# KA293/KA293A, KA393/KA393A, KA2903

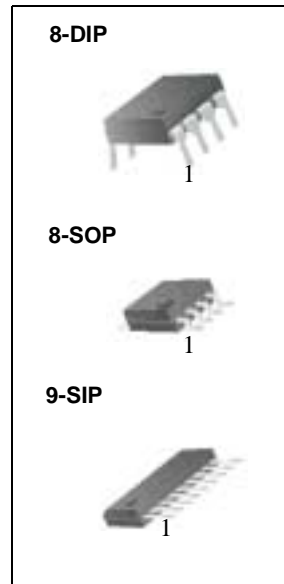
## Dual Differential Comparator

### Features

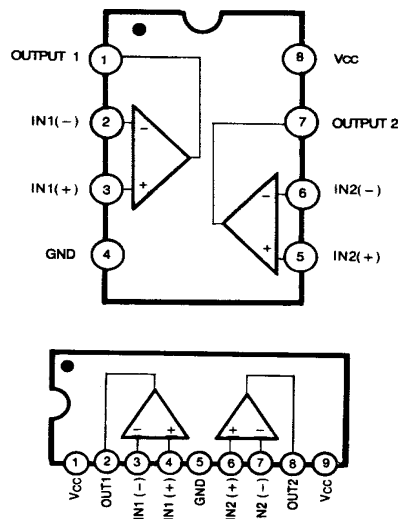
- Single Supply Operation: 2V to 36V
- Dual Supply Operation:  $\pm 1V$  to  $\pm 18V$
- Allow Comparison of Voltages Near Ground Potential
- Low Current Drain 800 $\mu A$  Typ.
- Compatible with all Forms of Logic
- Low Input Bias Current 25nA Typ.
- Low Input Offset Current  $\pm 5nA$  Typ.
- Low Offset Voltage  $\pm 1mV$  Typ.

### Description

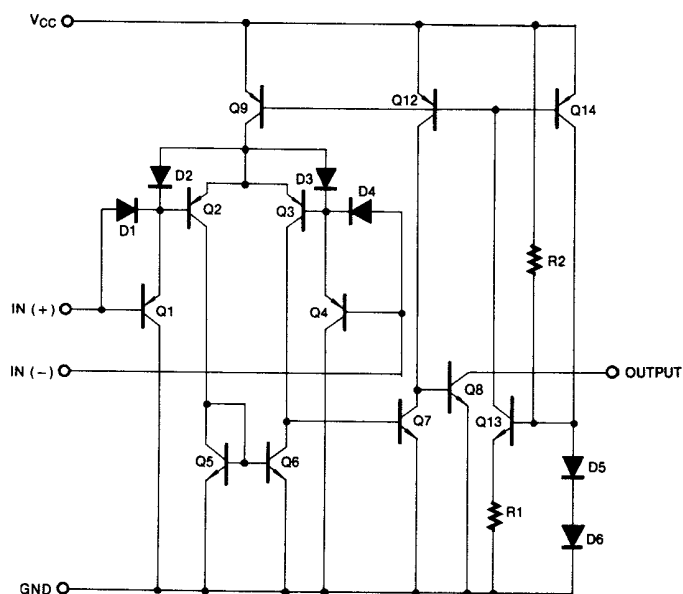
The KA293 series consists of two independent voltage comparators designed to operate from a single power supply over a wide voltage range.



### Internal Block Diagram



## Schematic Diagram



## Absolute Maximum Ratings

Parameter	Symbol	Value	Unit
Power Supply Voltage	VCC	±18 or 36	V
Differential Input Voltage	V <sub>I(DIFF)</sub>	36	V
Input Voltage	V <sub>I</sub>	- 0.3 to +36	V
Output Short Circuit to GND	-	Continuous	-
Power Dissipation	P <sub>D</sub>	570	mW
Operating Temperature KA393/KA393A KA293/KA293A KA2903	T <sub>OPR</sub>	0 ~ + 70 - 25 ~ + 85 - 40 ~ + 85	°C
Storage Temperature	T <sub>STG</sub>	- 65 ~ + 150	°C

## Electrical Characteristics

(VCC = 5V, TA = 25°C, unless otherwise specified)

Parameter	Symbol	Conditions	KA293A/KA393A			KA293/KA393			Unit
			Min.	Typ.	Max.	Min.	Typ.	Max.	
Input Offset Voltage	V <sub>IO</sub>	V <sub>O(P)</sub> = 1.4V, R <sub>S</sub> = 0Ω	-	±1	±2	-	±1	±5	mV
		V <sub>CM</sub> = 0 to 1.5V Note 1	-	-	±4.0	-	-	±9.0	
Input Offset Current	I <sub>IO</sub>		-	±5	±50	-	±5	±50	nA
		Note 1	-	-	±150	-	-	±150	
Input Bias Current	I <sub>BIAS</sub>		-	65	250	-	65	250	nA
		Note 1	-	-	400	-	-	400	
Input Common Mode Voltage Range	V <sub>I(R)</sub>		0	-	V <sub>CC</sub> -1.5	0	-	V <sub>CC</sub> -1.5	V
		Note 1	0	-	V <sub>CC</sub> -2	0	-	V <sub>CC</sub> -2	
Supply Current	I <sub>CC</sub>	R <sub>L</sub> = ∞, V <sub>CC</sub> = 5V	-	0.6	1	-	0.6	1	mA
		R <sub>L</sub> = ∞, V <sub>CC</sub> = 30V	-	0.8	2.5	-	0.8	2.5	
Voltage Gain	G <sub>V</sub>	V <sub>CC</sub> = 15V, R <sub>L</sub> ≥ 15KΩ (for large V <sub>O(P-P)</sub> swing)	50	200	-	50	200	-	V/mV
Large Signal Response Time	T <sub>LRES</sub>	V <sub>I</sub> = TTL Logic Swing V <sub>REF</sub> = 1.4V, V <sub>R</sub> L = 5V, R <sub>L</sub> = 5.1KΩ	-	350	-	-	350	-	nS
Response Time	T <sub>RES</sub>	V <sub>R</sub> L = 5V, R <sub>L</sub> = 5.1KΩ	-	1.4	-	-	1.4	-	μS
Output Sink Current	I <sub>SINK</sub>	V <sub>I(-)</sub> ≥ 1V, V <sub>I(+)</sub> = 0V, V <sub>O(P)</sub> ≤ 1.5V	6	18	-	6	18	-	mA
Output Saturation Voltage	V <sub>SAT</sub>	V <sub>I(-)</sub> ≥ 1V, V <sub>I(+)</sub> = 0V	-	160	400	-	160	400	mV
		I <sub>SINK</sub> = 4mA Note 1	-	-	700	-	-	700	
Output Leakage Current	I <sub>O(LKG)</sub>	V <sub>I(-)</sub> = 0V, V <sub>I(+)</sub> = 1V	-	0.1	-	-	0.1	-	nA
		V <sub>O(P)</sub> = 30V	-	-	1.0	-	-	1.0	μA

### NOTE 1

KA393 / KA393A : 0 ≤ T<sub>A</sub> ≤ +70°C

KA293 / KA293A : -25 ≤ T<sub>A</sub> ≤ +85°C

KA2903 : -40 ≤ T<sub>A</sub> ≤ +85°C

**Electrical Characteristics (Continued)**

(VCC =5V, TA=25°C, unless otherwise specified)

Parameter	Symbol	Conditions	KA2903			Unit
			Min.	Typ.	Max.	
Input Offset Voltage	V <sub>IO</sub>	V <sub>O(P)</sub> =1.4V, R <sub>S</sub> =0Ω	-	±1	±7	mV
		V <sub>CM</sub> = 0 to 1.5V Note 1	-	±9	±15	
Input Offset Current	I <sub>IO</sub>		-	±5	±50	nA
		Note 1	-	±50	±200	
Input Bias Current	I <sub>BIAS</sub>		-	65	250	nA
		Note 1	-	-	500	
Input Common Mode Voltage Range	V <sub>I(R)</sub>		0	-	V <sub>CC</sub> -1.5	V
		Note 1	0	-	V <sub>CC</sub> -2	
Supply Current	I <sub>CC</sub>	R <sub>L</sub> = ∞ , V <sub>CC</sub> = 5V	-	0.6	1	mA
		R <sub>L</sub> = ∞ , V <sub>CC</sub> = 30V	-	1	2.5	
Voltage Gain	G <sub>V</sub>	V <sub>CC</sub> =15V, R <sub>L</sub> ≥15KΩ(for large V <sub>O(P-P)</sub> swing)	25	100	-	V/mV
Large Signal Response Time	T <sub>LR</sub>	V <sub>I</sub> =TTL Logic Swing V <sub>REF</sub> =1.4V, V <sub>RL</sub> =5V, R <sub>L</sub> =5.1KΩ	-	350	-	nS
Response Time	T <sub>R</sub>	V <sub>RL</sub> =5V, R <sub>L</sub> =5.1KΩ	-	1.5	-	μS
Output Sink Current	I <sub>SINK</sub>	V <sub>I(-)</sub> ≥1V, V <sub>I(+)</sub> =0V, V <sub>O(P)</sub> ≤1.5V	6	16	-	mA
Output Saturation Voltage	V <sub>SAT</sub>	V <sub>I(-)</sub> ≥1V, V <sub>I(+)</sub> =0V	-	160	400	mV
		I <sub>SINK</sub> = 4mA NOTE 1	-	-	700	
Output Leakage Current	I <sub>O(LKG)</sub>	V <sub>I(-)</sub> = 0V, V <sub>O(P)</sub> = 5V	-	0.1	-	nA
		V <sub>I(+)</sub> = 1V V <sub>O(P)</sub> = 30V	-	-	1.0	μA

**NOTE 1**KA393 / KA393A : 0≤T<sub>A</sub>≤ +70°CKA293 / KA293A : -25≤T<sub>A</sub>≤ +85°CKA2903 : -40≤T<sub>A</sub>≤ +85°C

# Typical Performance Characteristics

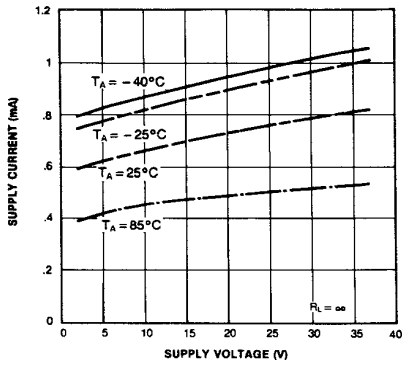


Figure 1. Supply Current vs Supply Voltage

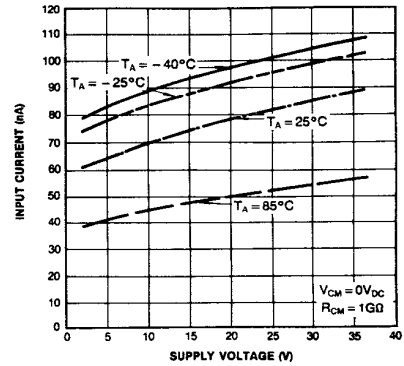


Figure 2. Input Current vs Supply Voltage

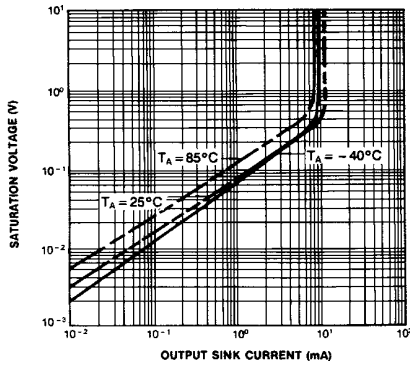


Figure 3. Output Saturation Voltage vs Sink Current

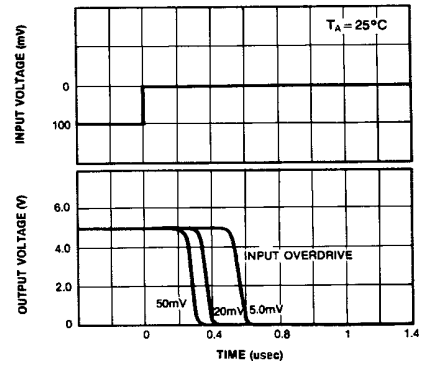


Figure 4. Response Time for Various Input Overdrive-Negative Transition

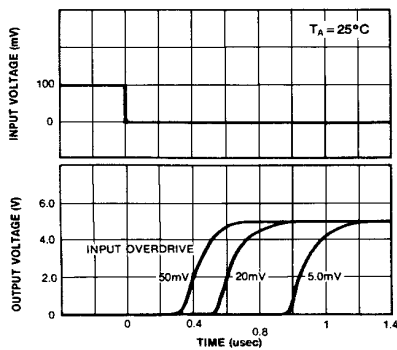
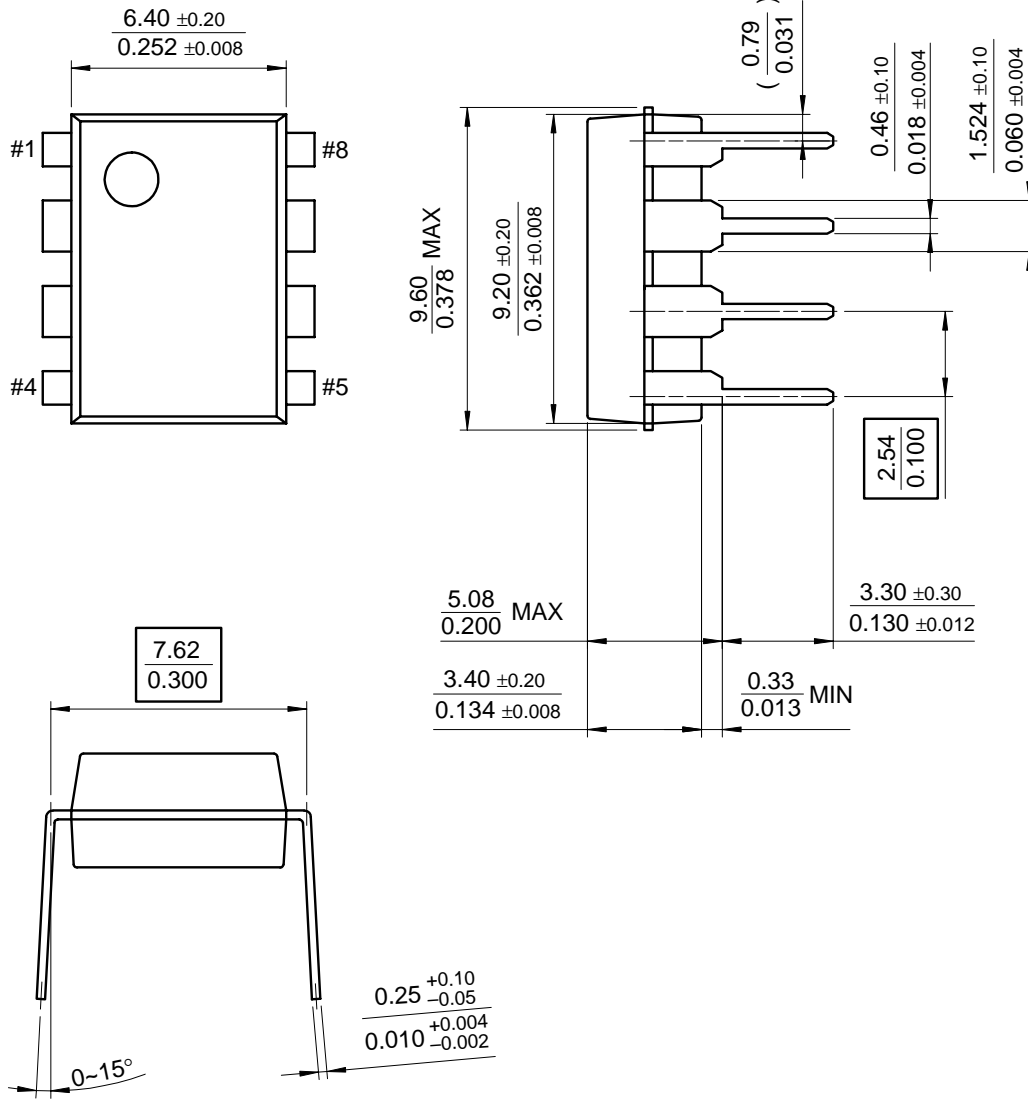


Figure 5. Response Time for Various Input Overdrive-Positive Transition

# Mechanical Dimensions

## Package

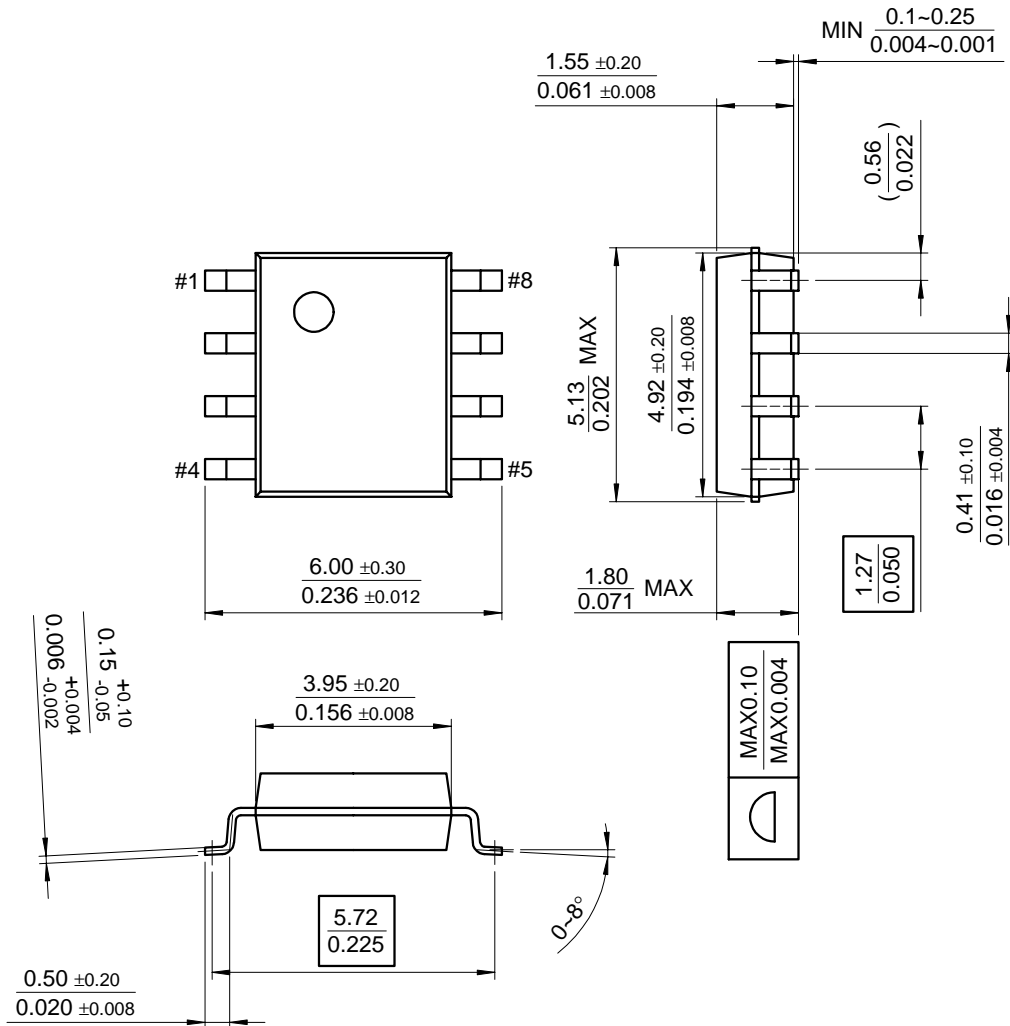
### 8-DIP



**Mechanical Dimensions** (Continued)

**Package**

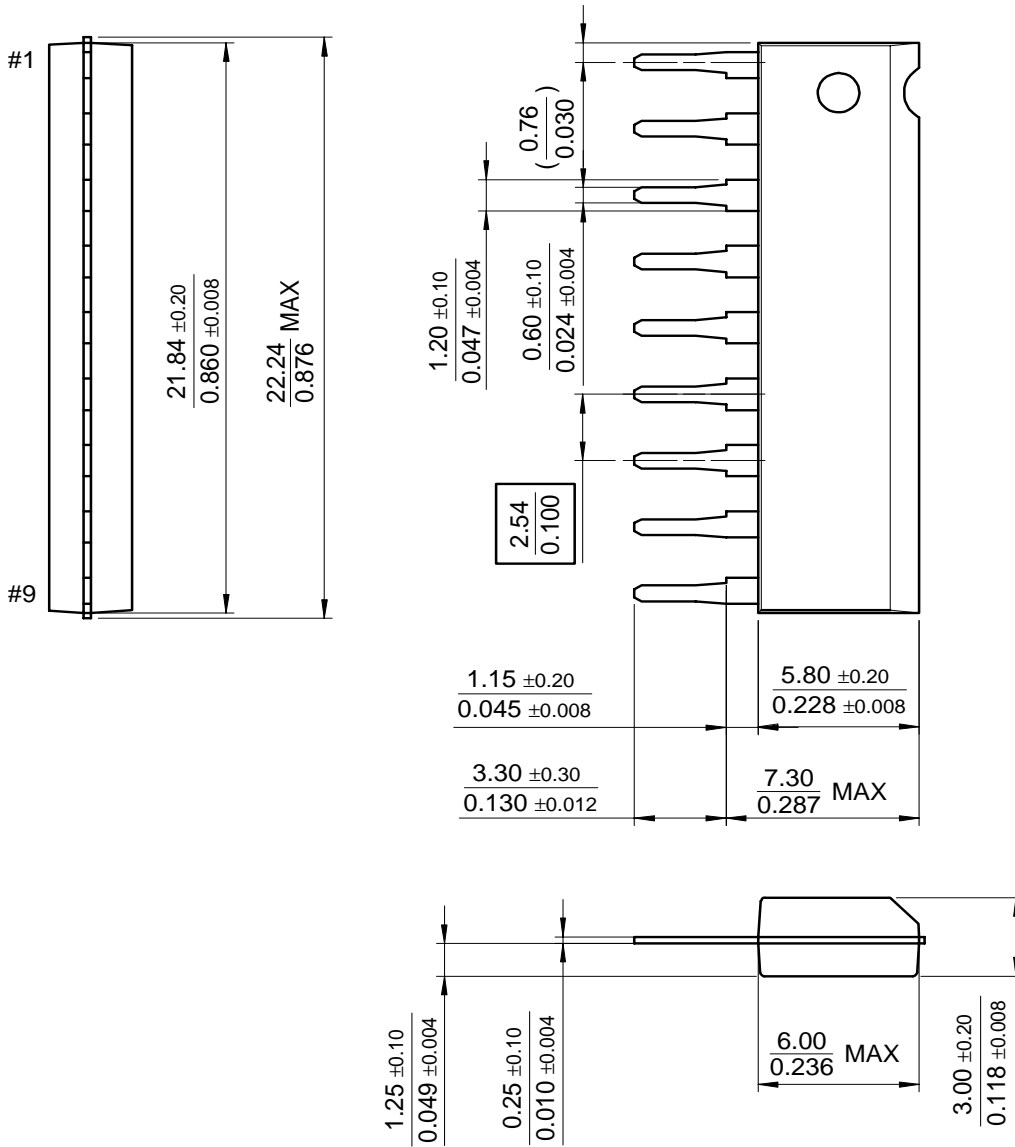
**8-SOP**



# Mechanical Dimensions (Continued)

## Package

### 9-SIP





## Ordering Information

Product Number	Package	Operating Temperature
KA393	8-DIP	0 ~ + 70°C
KA393A		
KA393D	8-SOP	
KA393AD		
KA393S	9-SIP	
KA293	8-DIP	
KA293A		
KA293D	8-SOP	
KA293AD		
KA2903	8-DIP	-40 ~ + 85°C
KA2903D	8-SOP	

#### **DISCLAIMER**

FAIRCHILD SEMICONDUCTOR RESERVES THE RIGHT TO MAKE CHANGES WITHOUT FURTHER NOTICE TO ANY PRODUCTS HEREIN TO IMPROVE RELIABILITY, FUNCTION OR DESIGN. FAIRCHILD DOES NOT ASSUME ANY LIABILITY ARISING OUT OF THE APPLICATION OR USE OF ANY PRODUCT OR CIRCUIT DESCRIBED HEREIN; NEITHER DOES IT CONVEY ANY LICENSE UNDER ITS PATENT RIGHTS, NOR THE RIGHTS OF OTHERS.

#### **LIFE SUPPORT POLICY**

FAIRCHILD'S PRODUCTS ARE NOT AUTHORIZED FOR USE AS CRITICAL COMPONENTS IN LIFE SUPPORT DEVICES OR SYSTEMS WITHOUT THE EXPRESS WRITTEN APPROVAL OF THE PRESIDENT OF FAIRCHILD SEMICONDUCTOR CORPORATION. As used herein:

1. Life support devices or systems are devices or systems which, (a) are intended for surgical implant into the body, or (b) support or sustain life, and (c) whose failure to perform when properly used in accordance with instructions for use provided in the labeling, can be reasonably expected to result in a significant injury of the user.
2. A critical component in any component of a life support device or system whose failure to perform can be reasonably expected to cause the failure of the life support device or system, or to affect its safety or effectiveness.