

GENERAL SPECIFICATION

Item	Content
Number of Character	20x4
Module Size	98.5(W)x60.0(H)x10.5/14.5(D)mm Max
Viewing Area	76.0(W)x25.2(H)mm
Character Size	2.95(W)x4.75(H)mm
Dot Size/Dot Pitch	0.55(W)x0.55(H)mm/0.60(W)x0.60(H)mm
Backlight	Without/EL/LED
Options	Gray STN/Yellow STN/Normal/Extended Temperature/Bottom/Top Viewing

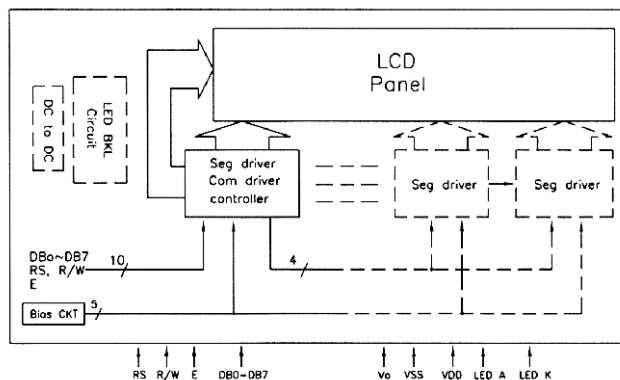
INTERFACE PIN ASSIGNMENT

Pin No.	Pin Out	Function Description
1	V _{SS}	Ground
2	V _{DD}	Logic Circuit Power Supply
3	V _O	Power Supply for LCD Panel
4	RS	Data/Instruction Register Select
5	R/W	Read/Write Select
6	E	Enable Signal
7-14	DB0-DB7	3-State I/O Data Bus
15	BKL1	Power Supply for Backlight. 100V/400Hz AC for EL, 4.2V or 120-180mA DC for LED backlight. Don't care if no backlight
16	BKL2	

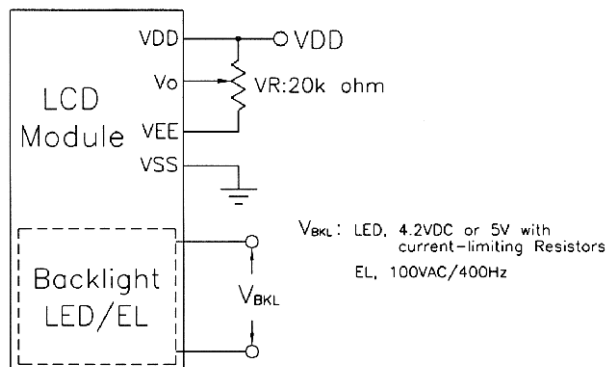
ELECTRICAL CHARACTERISTICS

Item	Symbol	Condition	Min.	Typ.	Max.	Unit	Note
Power Supply for Logic	V _{DD} -V _{SS}	-	2.7	4.5	5.5	Volt	-
Input Voltage	V _{IL}	L level	V _{SS}	0.2V _{DD}	-	Volt	-
	V _{IH}	H level	0.8V _{DD}	V _{DD}	-	Volt	
LCM Recommend LCD Module Driving Voltage	V _{DD} =5V	Ta=0°C	4.3	4.5	4.7	Volt	-
		Ta=25°C	4.4	4.6	4.8		
		Ta=50°C	4.2	4.4	4.6		
Power Supply Current for LCM	I _{DD} (B/L OFF)	V _{DD} =5V V _{DD} -V _O =4.6V Ta=25°C	-	1.5	2.0	mA	-
	I _{LED}	-	-	175	280		

BLOCK DIAGRAM



POWER SUPPLY



MECHANICAL

