

MA2X333

N type GaAs epitaxial planar type

For VCO of a radio

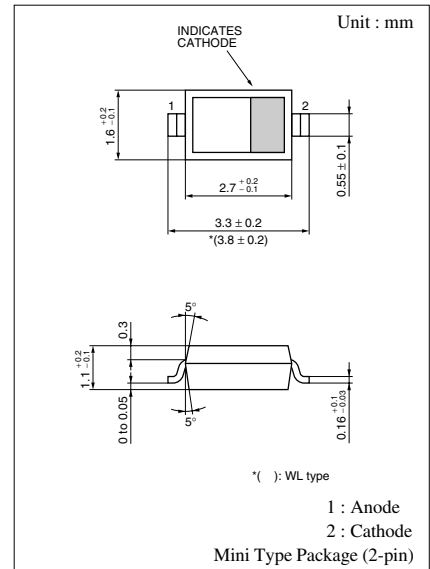
For electronic tuning of UHF and VHF TV tuner

■ Features

- Small series resistance r_D and high Q value
- Large capacitance ratio during low-voltage operation

■ Absolute Maximum Ratings $T_a = 25^\circ\text{C}$

Parameter	Symbol	Rating	Unit
Reverse voltage (DC)	V_R	9	V
Forward current (DC)	I_F	100	mA
Junction temperature	T_j	125	$^\circ\text{C}$
Storage temperature	T_{stg}	-55 to +125	$^\circ\text{C}$



Marking Symbol: 6C

■ Electrical Characteristics $T_a = 25^\circ\text{C}$

Parameter	Symbol	Conditions	Min	Typ	Max	Unit
Reverse current (DC)	I_R	$V_R = 6\text{ V}$			100	nA
Reverse voltage (DC)	V_R	$I_R = 1\ \mu\text{A}$	9			V
Diode capacitance	$C_{D(2V)}$	$V_R = 2\text{ V}, f = 1\text{ MHz}$	13.5	15.5	17.0	pF
	$C_{D(4V)}$	$V_R = 4\text{ V}, f = 1\text{ MHz}$	4.0	6.8	7.5	pF
	$C_{D(6V)}$	$V_R = 6\text{ V}, f = 1\text{ MHz}$	2.8	4.0	4.5	pF
Series resistance*	r_D	$C_D = 9\text{ pF}, f = 470\text{ MHz}$		0.25	0.35	Ω

Note) 1. Rated input/output frequency: 470 MHz

2. * : r_f measuring instrument: YHP MODEL 4191A RF IMPEDANCE ANALYZER

