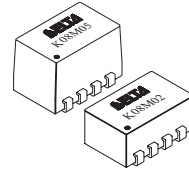


FEATURES

- High performance
- Low cost
- Compact size

APPLICATIONS

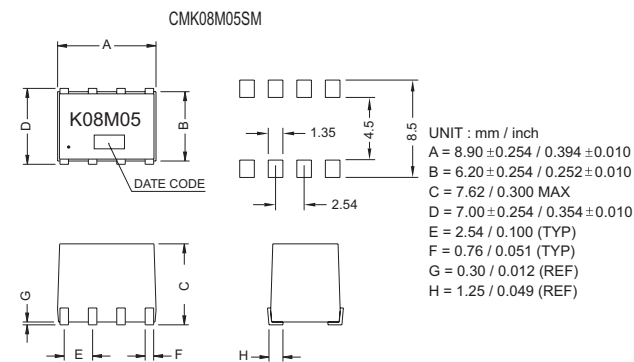
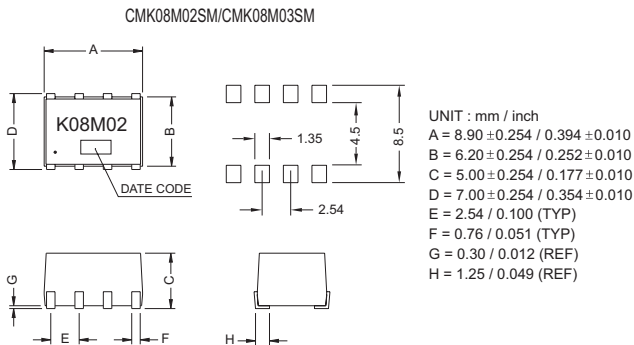
- For use in xDSL interfaces
- Effective reduction of C. M. noise caused by AM broadcast or HAM radio
- Isolation 1500V line to line



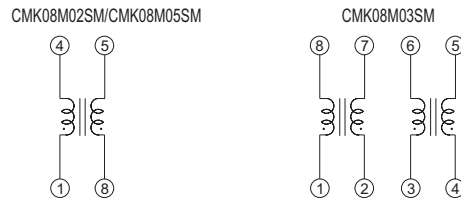
ELECTRICAL CHARACTERISTICS @25°C

PART NO.	DC Resistance (Ω) Max	Common Mode Attenuation (dB TYP)			Isolation Voltage (Vrms)
		500 KHz	1 MHz	10 MHz	
CMK08M02SM	1.5	45	49	35	1500
CMK08M03SM	0.25	-	21	32	1500
CMK08M05SM	1.5	45	49	35	1500

MECHANICAL CONSTRUCTION



SCHEMATICS



ATTENUATION

