

Standard Read/Write Identification IC

Description

The e5550 is a contactless R/W-Identification IC (IDIC)* for general-purpose applications in the 125 kHz range. A single coil, connected to the chip, serves as the IC's power supply and bidirectional communication interface. Coil and chip together form a transponder.

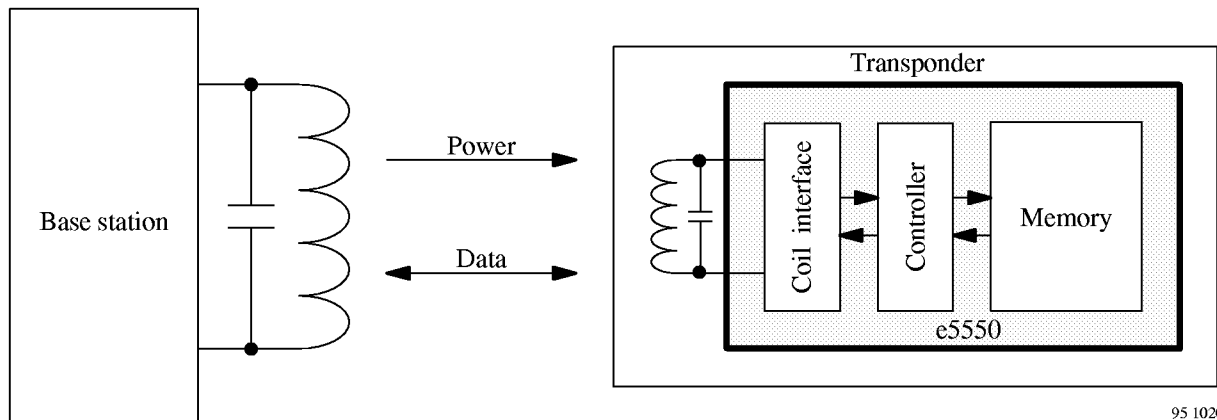
The on-chip 264-bit EEPROM (8 blocks 33 bits each) can be read and written blockwise from a base station. The blocks can be protected against overwriting. One block is

reserved for setting the operation modes of the IC. Another block can contain a password to prevent unauthorized writing.

Reading occurs by damping the coil by an internal load. There are different bitrates and encoding schemes possible. Writing occurs by interrupting the RF field in a special way.

Features

- Low-power, low-voltage CMOS IDIC
- Contactless power supply
- Contactless read/ write data transmission
- Radio Frequency (RF): 100 to 150 kHz
- 264 bit EEPROM memory in 8 blocks of 33 bits
- 224 bits in 7 blocks of 32 bits are free for user data
- Block write protection
- Extensive protection against contactless malprogramming of the EEPROM
- Typical < 50 ms to write and verify a block
- Other options set by EEPROM:
 - Bitrate [bit/s]: RF/8, RF/16, RF/32, RF/40
RF/50, RF/64, RF/100, RF/128
 - Modulation: BIN, FSK, PSK, Manchester, Biphase**
 - Other: Terminator mode, Password mode



95 10202

Figure 1. Transponder system example using e5550

* IDIC stands for IDentification Integrated Circuit and is a trademark of TEMIC Semiconductors

** Biphase modulation: Terminators not suitable.

Terminators proposed in the data sheet well suitable for other modulation modes (e5561A/ TK5561A-PP).

If high security level is requested, the e5560B die or TK5560A-PP transponder is recommended for application.

Ordering Information

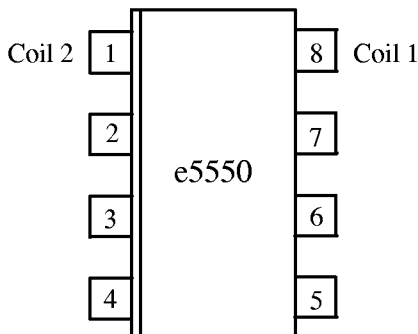
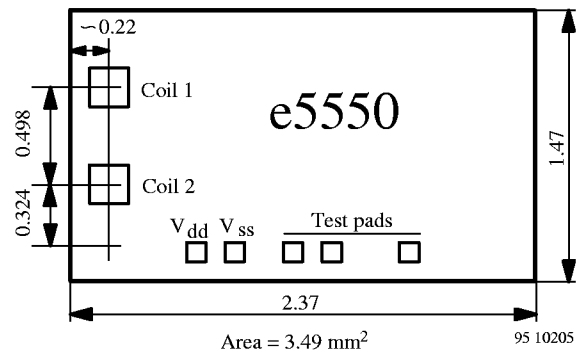
Extended Type Number	Package	Remarks
e5550F-DOW e5550F-S8	DOW SO8	All kind of modulation; RF/8, RF/16, RF/32, RF/40, RF/50, RF/64, RF/100 and RF/128 *) Default programmed: Manchester Modulation, RF/32, MAXBLK = 2

*) see page 4

Pads

Name	Pad Window	Function
Coil1	136 × 136 μm ²	1st coil pad
Coil2	136 × 136 μm ²	2nd coil pad
V _{dd}	78 × 78 μm ²	Positive supply voltage
V _{ss}	78 × 78 μm ²	Negative supply voltage (gnd)
Test1	78 × 78 μm ²	Test pad
Test2	78 × 78 μm ²	Test pad
Test3	78 × 78 μm ²	Test pad

Chip Dimensions (mm)



Note: Pins 2 to 7 have to be open. They are not specified for applications

13367

Figure 2. Pinning SO8

e5550 Building Blocks

Analog Front End (AFE)

The AFE includes all circuits which are directly connected to the coil. It generates the IC's power supply and handles the bidirectional data communication with the reader unit. It consists of the following blocks:

- Rectifier to generate a dc supply voltage from the ac coil voltage
- Clock extractor
- Switchable load between Coil1/ Coil2 for data transmission from the IC to the reader unit (read)

- Field gap detector for data transmission from the reader unit into the IC (write)

Controller

The main controller has following functions:

- Load mode register with mode data from EEPROM block 0 after power-on and also during reading
- Control memory access (read, write)
- Handle write data transmission and the write error modes
- The first two bits of the write data stream are the OP-code. There are two valid OP-codes (standard and stop) which are decoded by the controller.
- In password mode, the 32 bits received after the OP-code are compared with the stored password in block 7.

Bitrate Generator

The bitrate generator can deliver the following bitrates: RF/8 - RF/16 - RF/32 - RF/40 - RF/50 - RF/64 - RF/100 - RF/128

Write Decoder

Decode the detected gaps during writing. Check if write data stream is valid.

Test Logic

Test circuitry allows rapid programming and verification of the IC during test.

HV Generator

Voltage pump which generates ~18 V for programming of the EEPROM.

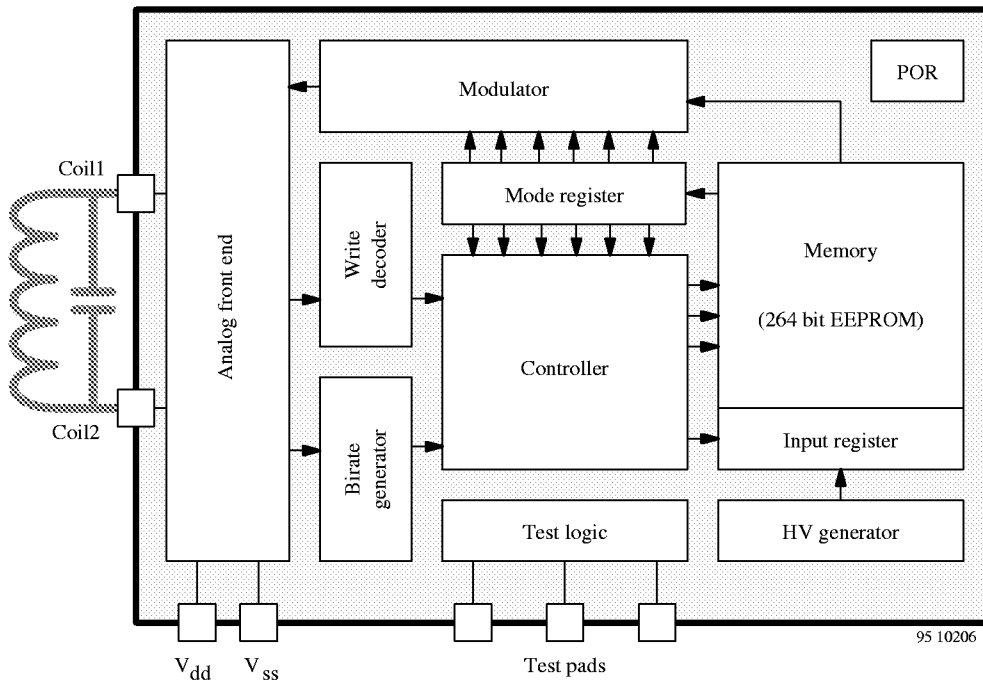


Figure 3. Block diagram e5550

Power-On Reset (POR)

The power-on reset is a delay reset which is triggered when supply voltage is applied.

Mode Register

The mode register stores the mode data from EEPROM block 0. It is continually refreshed at the start of every block. This increases the reliability of the device (if the originally loaded mode information is false, it will be corrected by subsequent refresh cycles).

Modulator

The modulator consists of several data encoders in two stages, which may be freely combined to obtain the desired modulation. The basic types of modulation are:

- PSK: phase shift: 1) every change; 2) every '1'; 3) every rising edge (carrier: $f_c/2$, $f_c/4$ or $f_c/8$)
- FSK: 1) $f_1 = r_f/8$ $f_2 = r_f/5$; 2) $f_1 = r_f/8$, $f_2 = r_f/10$
- Manchester: rising edge = H; falling edge = L
- Biphase: every bit creates a change, a data 'H' creates an additional mid-bit change

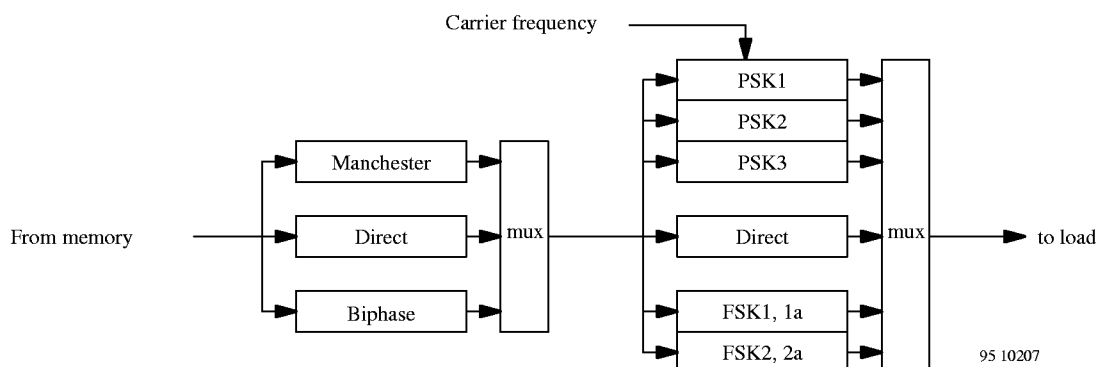


Figure 4. Modulator block diagram

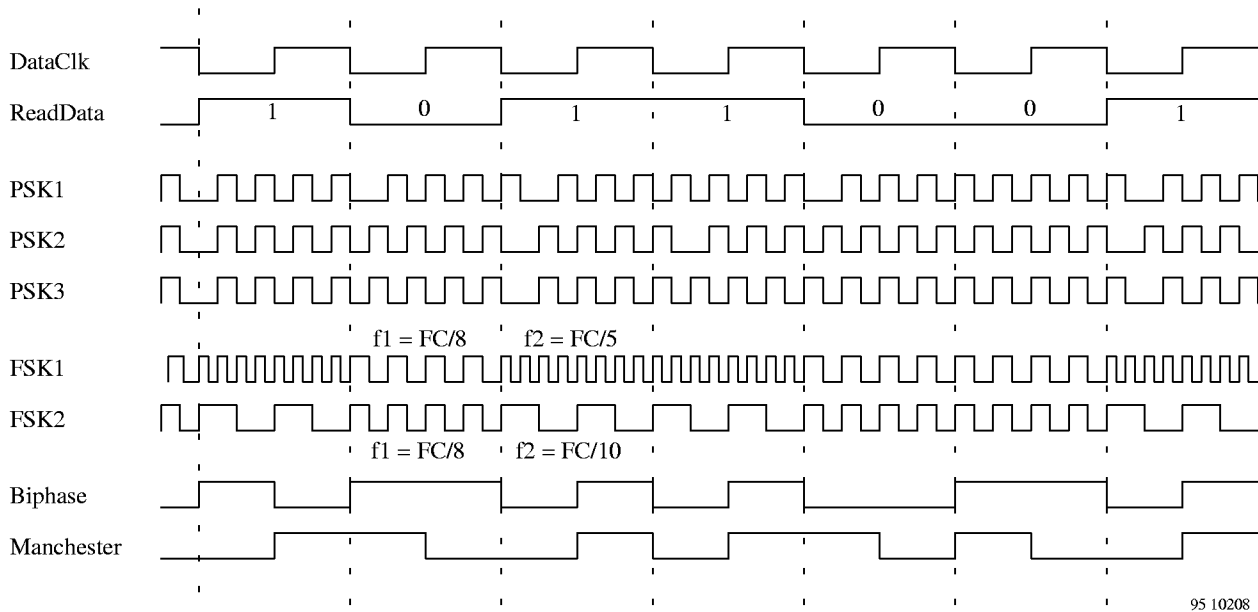


Figure 5. Types of modulation

Note: The following modulation type combinations will not work:

- Stage1 Manchester or Biphase, stage2 psk2, at any psk carrier frequency (because the first stage output frequency is higher than the second stage strobe frequency)
- Stage1 Manchester or Biphase and stage2 psk with bitrate = $rf/8$ and psk carrier frequency = $rf/8$ (for the same reason as above)
- Any stage1 option with any psk for bitrates $rf/50$ or $rf/100$ if the psk carrier frequency is not an integer multiple of the bitrate (e.g., $br = rf/50$, $pskcf = rf/4$, because $50/4 = 12.5$). This is because the psk carrier frequency must maintain constant phase with respect to the bit clock.

Memory

The memory of the e5550 is a 264 bit EEPROM, which is arranged in 8 blocks of 33 bits each. All 33 bits of a block, including the lock bit, are programmed simultaneously. The programming voltage is generated on-chip.

Block 0 contains the mode data, which are not normally transmitted (see figure 6).

Block 1 to 6 are freely programmable. Block 7 may be used as a password. If password protection is not required, it may be used for user data.

Bit 0 of every block is the lock bit for that block. Once locked, the block (including the lockbit itself) cannot be field-reprogrammed.

Data from the memory is transmitted serially, starting with block 1, bit 1, up to block 'MAXBLK', bit 32. 'MAXBLK' is a mode parameter set by the user to a value between 0 and 7 (if $maxblk=0$, only block 0 will be transmitted).

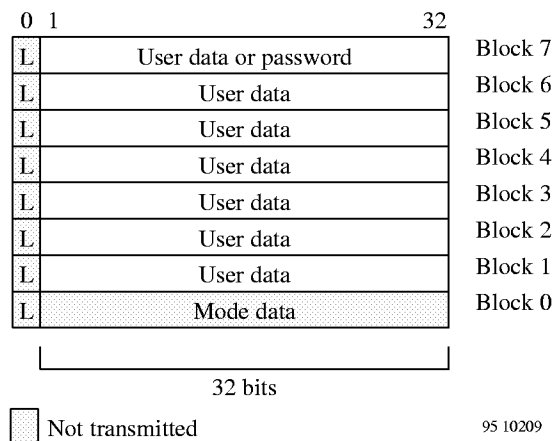


Figure 6. Memory map

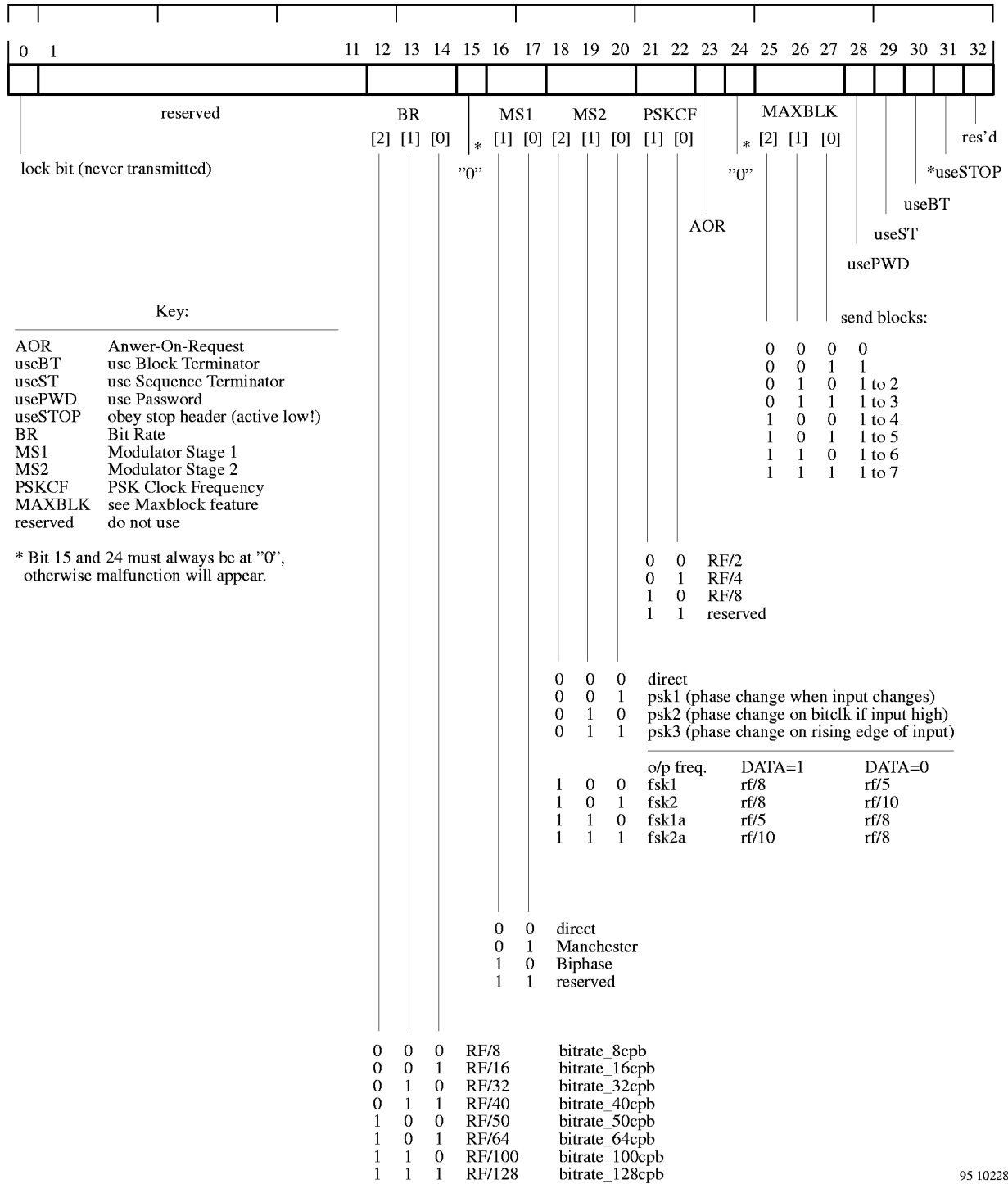


Figure 7. Memory map of block 0

Operating the e5550

General

The basic functions of the e5550 are: **supply** IC from the coil, **read** data from the EEPROM to the reader, **write** data into the IC and **program** these data into the EEPROM. Several **errors** can be detected to protect the memory from being written with the wrong data (see figure 20).

Supply

The e5550 is supplied via a tuned LC circuit which is connected to the Coil1 and Coil2 pads. The incoming RF (actually a magnetic field) induces a current into the coil which powers the chip. The on-chip rectifier generates the dc supply voltage (V_{dd} , V_{ss} pads). Overvoltage protection prevents the IC from damage due to high-field strengths. (Depending on the coil, the open-circuit voltage across the LC circuit can reach more than 100 V). The first occurrence of RF triggers a power-on reset pulse, ensuring a defined start-up state.

Read

Reading is the default mode after power-on reset. It is done by switching a load between the coil pads on and off. This changes the current through the IC coil, which can be detected from the reader unit.

Start-Up

The many different modes of the e5550 are activated after the first readout of block 0. The modulation is off while block 0 is read. After this set-up time of 256 field clock periods, modulation with the selected mode starts.

Read Datastream

The first block transmitted is block 1. When the last block is reached, reading restarts with block 1. Block 0, which contains mode data, is normally never transmitted. However, the mode register is continuously refreshed with the contents of EEPROM block 0.

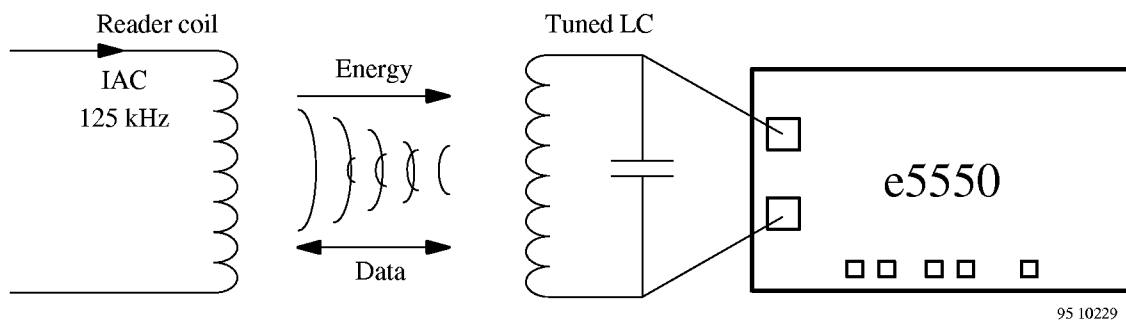


Figure 8. Application circuit

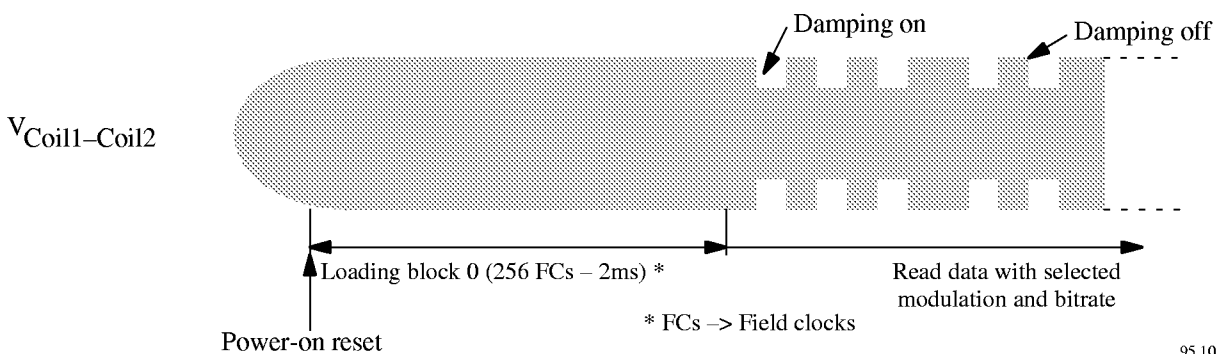
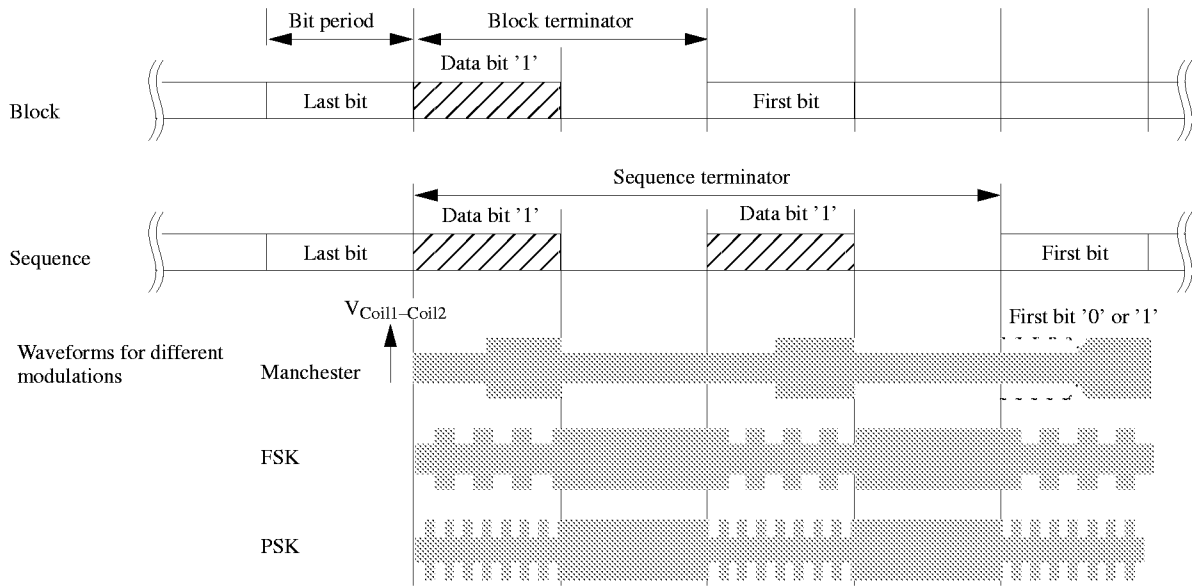
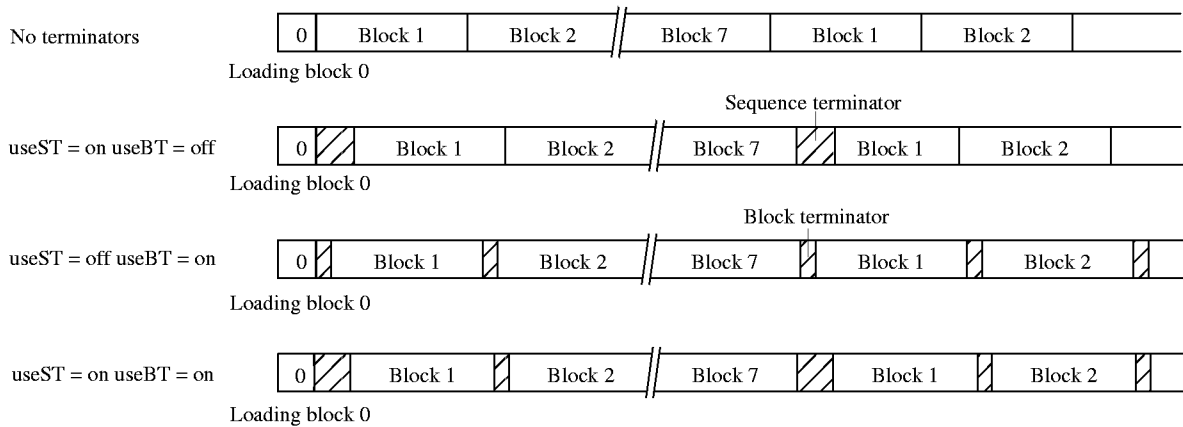


Figure 9. Voltage at Coil1/Coil2 after power-on



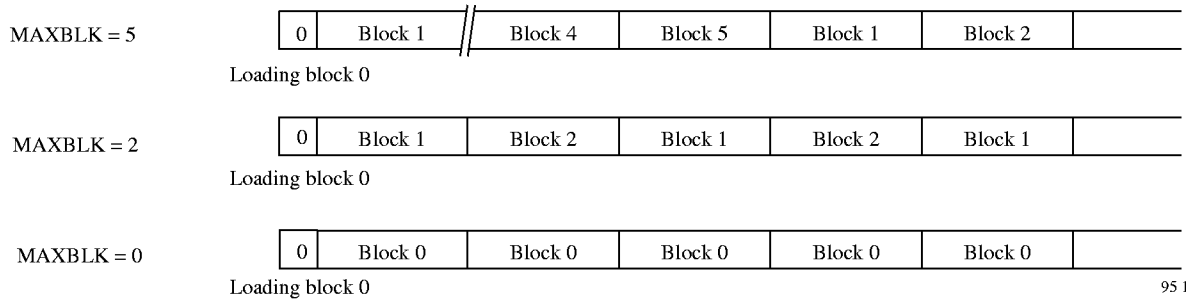
13366

Figure 10. Terminators



95 10232

Figure 11. Read data streams and terminators



95 10233

Figure 12. MAXBLK examples

Terminators

The terminators are (optionally selectable) special damping patterns, which may be used to synchronize the reader. There are two types available; a block terminator which precedes every block, and a sequence terminator which always follows the last block.

The sequence terminator consists of two consecutive block terminators. The terminators may be individually enabled with the mode bits useST (sequence terminator enable) or useBT (block terminator enable).

Note: It is not possible to include a sequence terminator in a transmission where MAXBLK = 0.

Direct Access

Direct access is a feature for reading out an individual

block by sending the write OP-code, the lock-bit and the 3-bit address. This does not work in password-mode.

Modulation and Bitrate

There are two modulators in the e5550 (see figure 3) whose mode can be selected using the appropriate bits in block 0 (MS1[1:0] and MS[2:0]). Also the bitrate can be selected using BR[2:0] in block 0. These options are described in detail in figure 6.

Maxblock Feature

If it is not necessary to read all six user data blocks; the MAXBLK field in block 0 can be used to limit the number of blocks read. For example, if MAXBLK = 4, the e5550 repeatedly reads and transmits only blocks 1 to 4. If MAXBLK is set to '0', block 0 (which is normally hidden) is read.

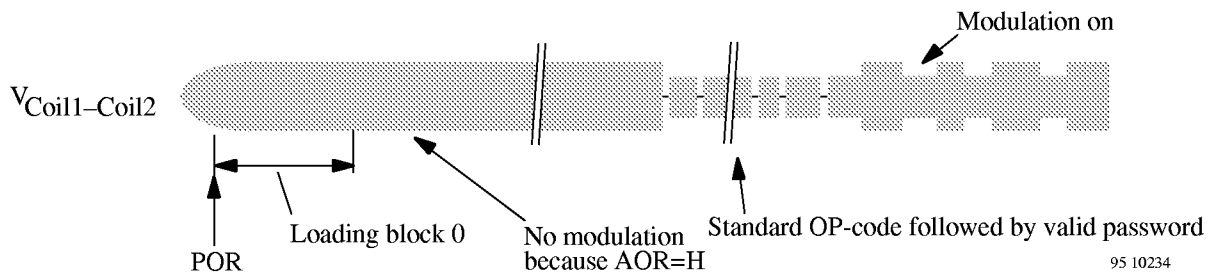


Figure 13. Answer-on-request mode

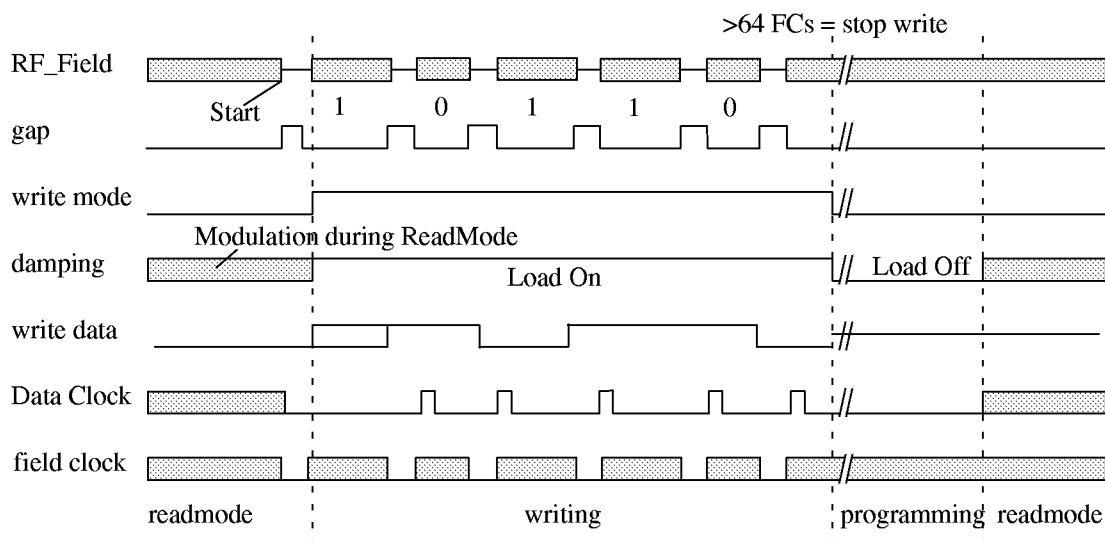
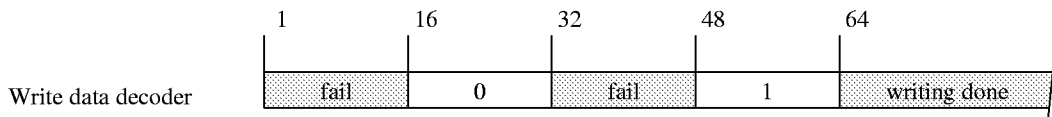
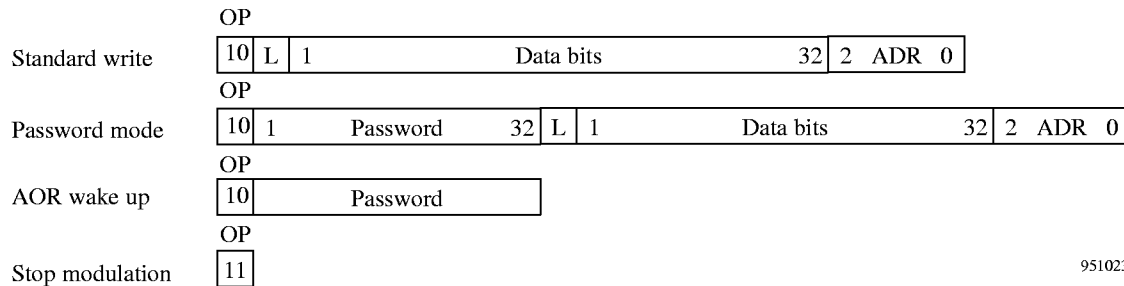


Figure 14. Signals during writing



95 10236

Figure 15. Write data decoding schemes



9510237

Figure 16. Legal write data sequences

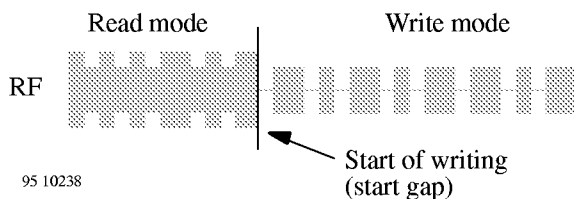
Write

Writing data into the IC occurs via the TEMIC write method. It is based on interrupting the RF field with short gaps. The time between two gaps encodes the '0/1' information to be transmitted.

Start Gap

The first gap is the start gap which triggers write mode. In write mode, the damping is permanently enabled which eases gap detection. The start gap may need to be longer than subsequent gaps in order to be detected reliably.

A start gap will be detected at any time after block 0 has been read (field-on plus approximately 2 ms).



95 10238

Figure 17. Start of writing

Decoder

The duration of the gaps is usually 50 to 150 μ s. The time between two gaps is nominally 24 field clocks for a '0' and 56 field clocks for a '1'. When there is no gap for more than 64 field clocks after previous gap, the IDIC exits

write mode; it starts with programming if the correct number of valid bits were received.

If there is a gap fail – i.e., one or more of the gaps was not a valid '0' or '1' – the IC does not program, but enters read mode beginning with block 1.

Writing Data into the e5550

The e5550 expects always to receive a OP-code first. This OP-code may be followed by different information:

- Standard writing needs only the OP-code, the lock bit, the 32 data bits and the block address.
- Writing with usePWD set requires a valid password between OP-code and address/data bits.
- In AOR mode with use PWD, OP-code and a valid password are necessary to enable modulation.
- A special OP-code is used to silence the e5550 (disable damping until power is cycled).

Note: The data bits are read in the same order as written.

OP-Codes

There are two valid OP-codes. If the OP-code is invalid, the e5550 starts read mode beginning with block 1 after the last gap.

The standard OP-code ('10') precedes all write operations. The stop OP-code ('11') is used to stop the IC until a power-on reset occurs. This feature can be used to have a steady RF field where single transponders are collected one by one. Each IC is read and then disabled, so that it does not interfere with the next IC.

Note: The stop OP-code should contain only the two OP-code bits to disable the IC. Any additional data sent will not be ignored, and the IC will not stop modulation.

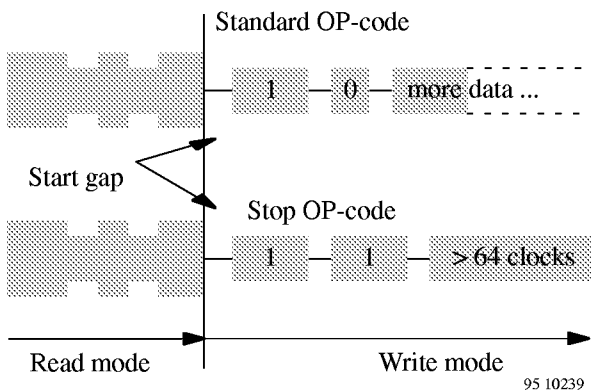


Figure 18. OP-codes

Password

When password mode is on (usePWD = 1), the first 32 bits after the OP-Code are regarded as the password.

They are compared bit-by-bit with the contents of block 7, starting at bit 1. If the comparison fails, the IC will not program the memory, but restart in read mode at block 1 once writing has completed.

Notes:

- If usePWD is not set, but the IC receives a write datastream containing any 32 bits in place of a password, the IC will enter programming mode.
- The first 4 bits of the password have to be "0".
- In password mode, MAXBLK should be set to a value below 7 to prevent the password from being transmitted by the e5550.
- Every transmission of 2 OP-code bits plus 32 bits password plus 3 bits address plus 33 bits data (= 70 bits) needs about 35 ms. Testing all 2^{32} possible combinations (about 4.3 billion) takes about 40,000 h, or over four years. This is a sufficient password protection for a general-purpose IDIC.

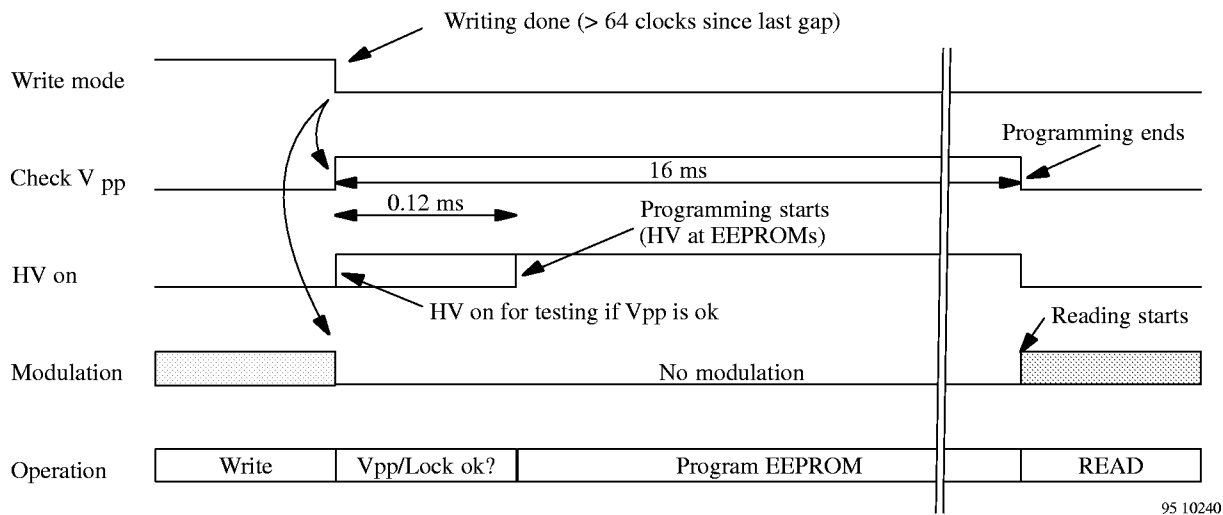


Figure 19. Programming

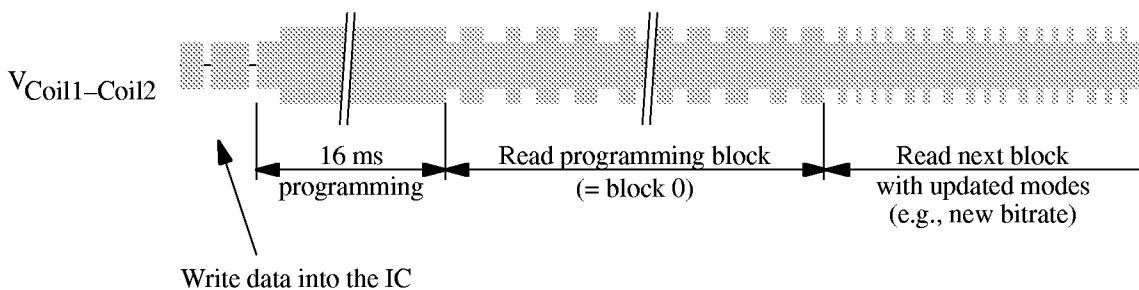


Figure 20. Coil voltage after programming of Block 0

Programming

When all necessary information has been written to the e5550, programming may proceed. There is a 32-clock delay between the end of writing and the start of programming. During this time, V_{pp} – the EEPROM programming voltage – is measured and the lock bit for the block to be programmed is examined. Further, V_{pp} is continually monitored throughout the programming cycle. If at any time V_{pp} is too low, the chip enters read mode immediately.

The programming time is 16 ms.

After programming is done, the e5550 enters read mode, starting with the block just programmed. If either block or sequence terminators are enabled, the block is preceded by a block terminator. If the mode register (block 0) has been reprogrammed, the new mode will be activated **after** the just-programmed block has been transmitted using the **old** mode.

Error Handling

Several error conditions can be detected to ensure that only valid bits are programmed into the EEPROM. There are two error types, which lead to two different actions.

Errors During Writing

There are four detectable errors which could occur during writing data into the e5550:

- Wrong number of field clocks between two gaps
- The OP-Code is neither the standard OP-Code nor the stop OP-Code
- Password mode is active but the password does not match the contents of block 7
- The number of bits received is incorrect; valid bit counts are
 - Standard write 38 bits (usePWD not set)
 - Password write 70 bits (usePWD set)
 - AOR request 34 bits
 - Stop command 2 bits

If any of these four conditions are detected, the IC starts read mode immediately after leaving write mode. Reading starts with block 1.

Errors During Programming

If writing was successful, the following errors could prevent programming:

- The lock bit of the addressed block is set
- V_{pp} is too low

In these cases, programming stops immediately. The IC reverts to read mode, starting with the currently addressed block.

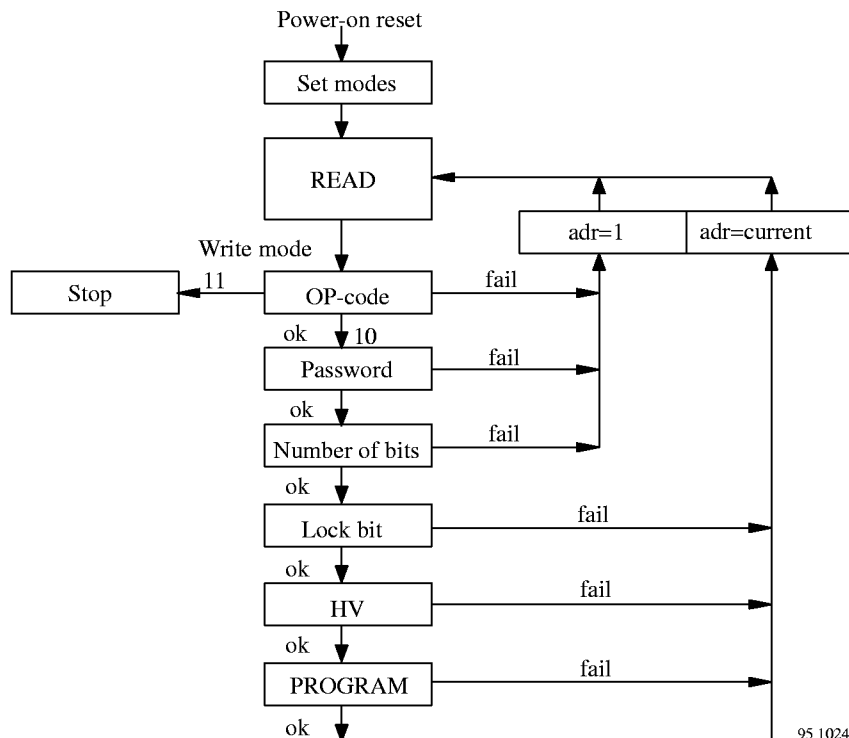


Figure 21. Functional diagram of the e5550

Absolute Maximum Ratings

Parameters	Symbol	Value	Unit
Maximum DC current into COIL1/COIL2	I_{coil}	10	mA
Maximum AC current into COIL1/COIL2 $f = 125$ kHz	$i_{coil pp}$	20	mA
Power dissipation (dice) ¹⁾	P_{tot}	100	mW
Electro-static discharge maximum to MIL-Standard 883 C method 3015	V_{max}	1000	V
Operating ambient temperature range	T_{amb}	-40 to +85	°C
Storage temperature range ²⁾	T_{stg}	-40 to +125	°C
Maximum assembly temperature for less than 5 min ³⁾	T_{sld}	+150	°C

- Notes:** 1) Free-air condition, time of application: 1 s
 2) Data retention reduced
 3) Assembly temperature of 150°C for less than 5 minutes does not affect the data retention.

Stresses above those listed under “Absolute Maximum Ratings” may cause permanent damage to the device.

Operating Characteristics

$T_{amb} = 25^{\circ}\text{C}$; $f_{RF} = 125$ kHz, reference terminal is V_{SS}

Parameters	Comments	Symbol	Min.	Typ.	Max.	Unit
RF frequency range		f_{RF}	100	125	150	kHz
Supply current	Read and write over the full temperature range	I_{DD}		5	7.5	μA
	Programming over the full temperature range	I_{DD}		100	200	μA
Clamp voltage	10 mA current into Coil1/2	V_{cl}	9.5		11.5	V
Programming voltage	From on-chip HV-Generator	V_{pp}	16		20	V
Programming time		t_p		18		ms
Startup time		$t_{startup}$			4	ms
Data retention	1)	$t_{retention}$	10			Years
Programming cycles	1)	n_{cycle}	100 000			
Supply voltage	Read and write	V_{DD}			1.6	V
Supply voltage	Read-mode, $T = -30^{\circ}\text{C}$	V_{DD}			2.0	V
Coil voltage	Read and write	$V_{coil pp}$			6.0	V
Coil voltage	Programming, RF field not damped	$V_{coil pp}$			10	V
Damping resistor		R_D		300		Ω

Note

- 1) Since EEPROM performance may be influenced by assembly and packaging, we can confirm the parameters for dow (= die-on-wafer) and ICs assembled in standard package.

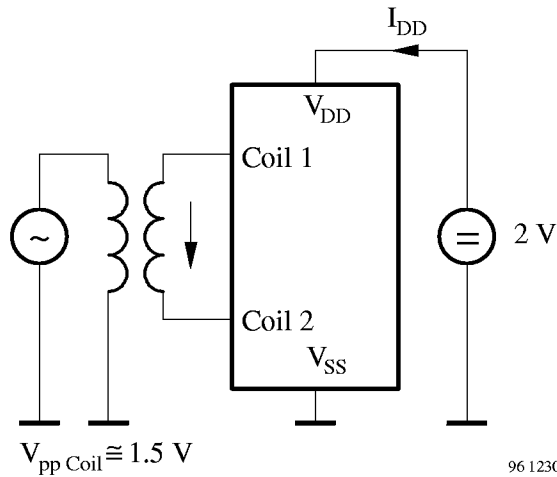


Figure 22. Measurement setup for I_{DD}

96 12303

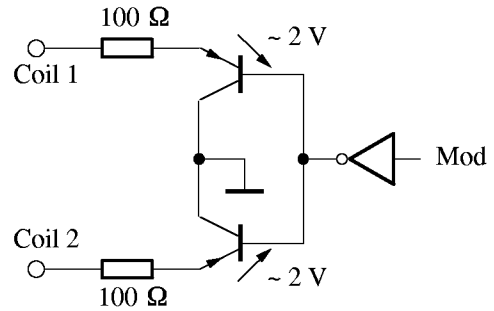


Figure 23. Simplified damping circuit

96 12304

Application Example

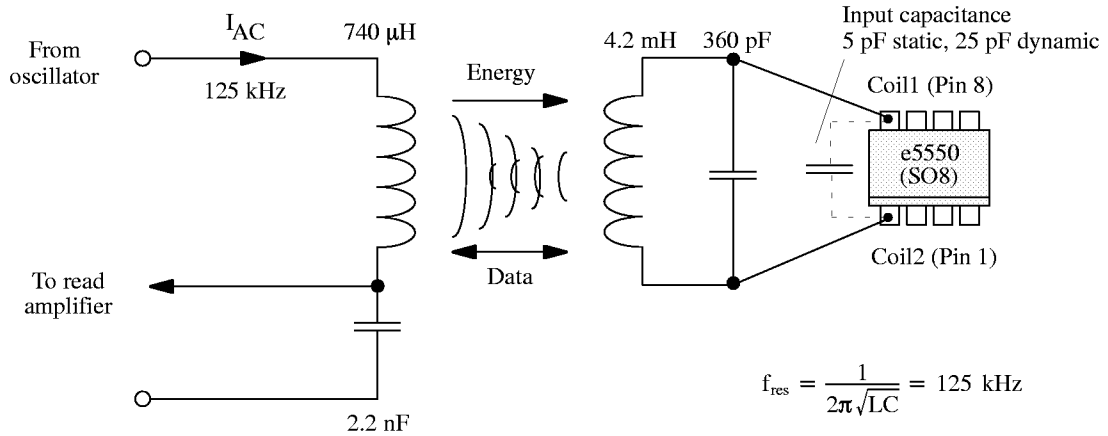
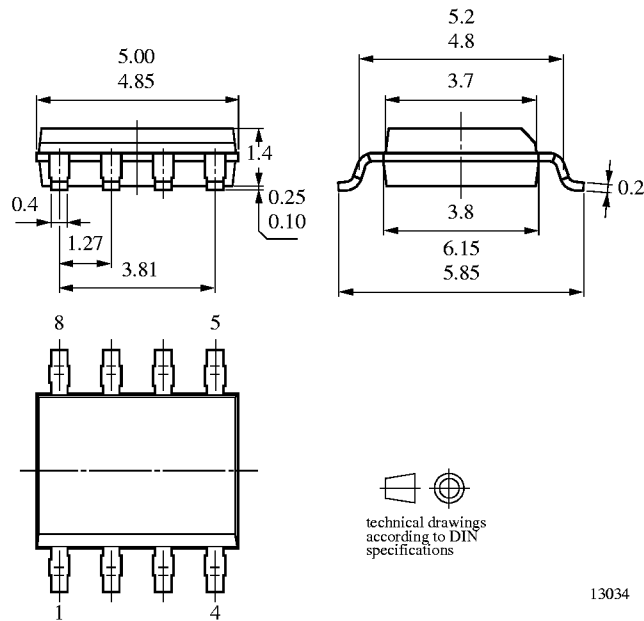


Figure 24. Typical application circuit

95 10242

Package Information

Package SO8
Dimensions in mm



Ozone Depleting Substances Policy Statement

It is the policy of **TEMIC TELEFUNKEN microelectronic GmbH** to

1. Meet all present and future national and international statutory requirements.
2. Regularly and continuously improve the performance of our products, processes, distribution and operating systems with respect to their impact on the health and safety of our employees and the public, as well as their impact on the environment.

It is particular concern to control or eliminate releases of those substances into the atmosphere which are known as ozone depleting substances (ODSs).

The Montreal Protocol (1987) and its London Amendments (1990) intend to severely restrict the use of ODSs and forbid their use within the next ten years. Various national and international initiatives are pressing for an earlier ban on these substances.

TEMIC TELEFUNKEN microelectronic GmbH semiconductor division has been able to use its policy of continuous improvements to eliminate the use of ODSs listed in the following documents.

1. Annex A, B and list of transitional substances of the Montreal Protocol and the London Amendments respectively
2. Class I and II ozone depleting substances in the Clean Air Act Amendments of 1990 by the Environmental Protection Agency (EPA) in the USA
3. Council Decision 88/540/EEC and 91/690/EEC Annex A, B and C (transitional substances) respectively.

TEMIC can certify that our semiconductors are not manufactured with ozone depleting substances and do not contain such substances.

We reserve the right to make changes to improve technical design and may do so without further notice.

Parameters can vary in different applications. All operating parameters must be validated for each customer application by the customer. Should the buyer use TEMIC Semiconductors products for any unintended or unauthorized application, the buyer shall indemnify TEMIC Semiconductors against all claims, costs, damages, and expenses, arising out of, directly or indirectly, any claim of personal damage, injury or death associated with such unintended or unauthorized use.

TEMIC Semiconductor GmbH, P.O.B. 3535, D-74025 Heilbronn, Germany
Telephone: 49 (0)7131 67 2594, Fax number: 49 (0)7131 67 2423