

AN5342FBP, AN5342K

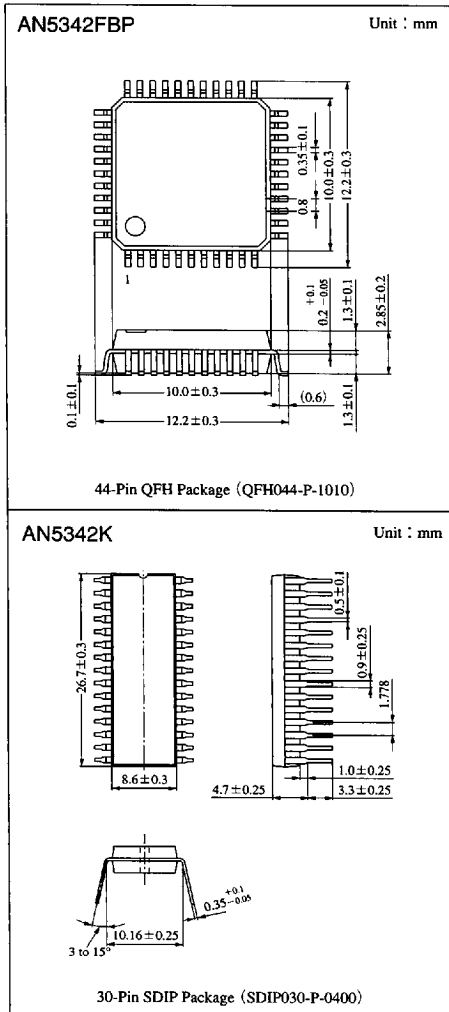
Color TV Horizontal Aperture Correction IC

Overview

The AN5342FBP or AN5342K is a horizontal aperture correction IC for color TV. It provides a Y signal waveform with a preshoot or overshoot feature to emphasize horizontal outlines.

Features

- Including a circuit to add a preshoot or overshoot to a Y signal waveform
- Dynamic sharpness control
- Built-in noise reduction circuit for Y signal
- VM signal output



ICs for TV

Absolute Maximum Ratings

Parameter	Symbol	Rating	Unit
Supply voltage	V _{CC}	11	V
Supply current	I _{CC}	90	mA
Power dissipation ^{Note 2)}	P _D	990	mW
Operating ambient temperature ^{Note 1)}	T _{opr}	-20 to +70	°C
Storage temperature ^{Note 1)}	T _{stg}	-55 to +150	°C

Note 1) Ta = 25°C except operating ambient temperature and storage temperature.

Note 2) For only AN5342FBP, allowable power dissipation of the package at Ta = 70°C.

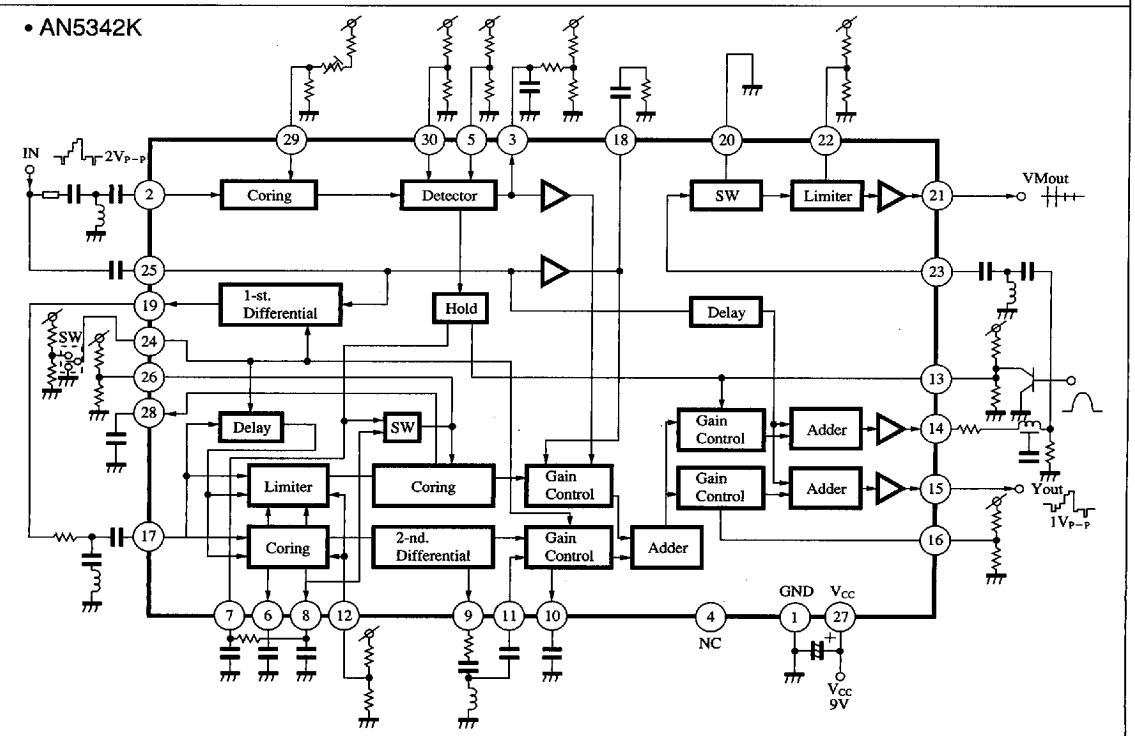
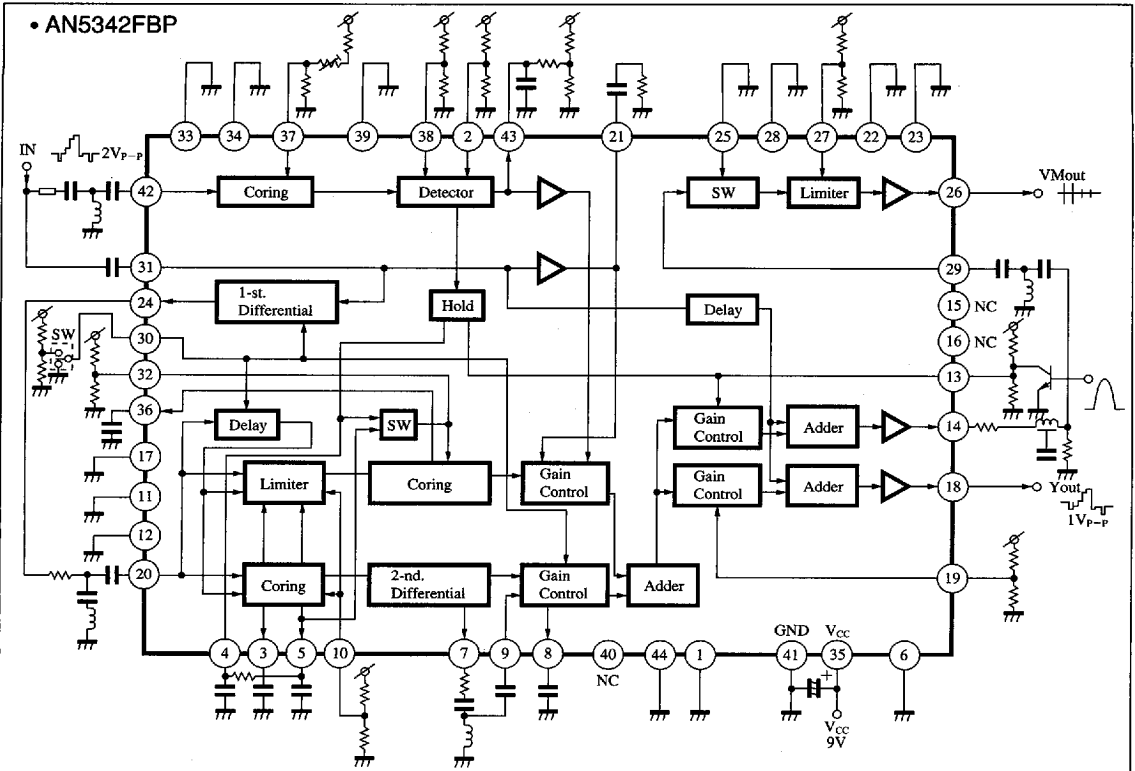
Recommended Operating Range (Ta = 25°C)

Parameter	Symbol	Range
Operating supply voltage range	V _{CC}	8.1V to 10.8V

6932852 0014268 T10

Panasonic

■ Block Diagram



6932852 0014269 957
Panasonic

■ Pin Descriptions

• AN5342FBP

Pin No.	Pin name	Pin No.	Pin name
1	GND (lead frame)	23	GND (lead frame)
2	DSC large signal gain control	24	Pre-correction first differential output
3	Differential signal bias 1	25	Test Pin
4	Noise reduction bias	26	VM output
5	Differential signal bias 2	27	VM limiter control
6	GND (lead frame)	28	GND (lead frame)
7	Post-correction First Differential output	29	VM input
8	Apert. corr. Bias	30	Delay time switching
9	Second differential input	31	Y input
10	Apert. corr./detail level control	32	Detail coring control
11	GND (lead frame)	33	GND (lead frame)
12	GND (lead frame)	34	GND (lead frame)
13	VM peaking control	35	V _{cc}
14	Y output for VM	36	Coring Bias
15	NC	37	DSC bias
16	NC	38	DSC small signal gain control
17	GND (lead frame)	39	GND (lead frame)
18	Y output	40	NC
19	Sharpness control	41	GND (main)
20	Pre-correction first differential input	42	DSC input
21	Brightness detection	43	DSC Detection output
22	GND (lead frame)	44	GND (lead frame)

• AN5342K

Pin No.	Pin name	Pin No.	Pin name
1	GND	16	Sharpness control
2	DSC input	17	Pre-correction first differential input
3	DSC detection output	18	Brightness Detection
4	NC	19	Pre-correction first differential output
5	DSC large signal Gain control	20	Test
6	Differential signal Bias 1	21	VM output
7	Noise reduction bias	22	VM limiter control
8	Differential signal Bias 2	23	VM input
9	Post-correction first differential output	24	Delay time switching
10	Aperture correction bias	25	Y input
11	Second differential input	26	Detail coring control
12	Aperture correction/detail separation level control	27	V _{cc}
13	VM peaking control	28	Coring bias
14	Y output for VM	29	DSC bias
15	Y output	30	DSC small signal gain control

■ 6932852 0014270 679 ■

Panasonic

Electrical Characteristics (Ta=25±2°C) (AN5342FBP)

Parameter	Symbol	Condition	min	typ	max	Unit
Circuit current	I ₃₅		44	55	66	mA
	I ₁₉		0.4	0.7	1.2	mA
Circuit voltage	V ₄₂₋₄₁		2.3	2.7	3.1	V
	V ₂₋₄₁		4.4	4.8	5.2	V
	V ₁₀₋₄₁		2.7	3.1	3.5	V
	V ₃₋₄₁		2.6	3.2	3.8	V
	V ₅₋₄₁		2.6	3.2	3.8	V
	V ₇₋₄₁		1.8	2.4	3.0	V
	V ₈₋₄₁		2.9	3.5	4.1	V
	V ₉₋₄₁		2.3	2.7	3.1	V
	V ₁₃₋₄₁		2.7	3.1	3.5	V
	V ₁₄₋₄₁		3.1	3.7	4.3	V
	V ₁₈₋₄₁		3.1	3.7	4.3	V
	V ₂₀₋₄₁		4.4	4.9	5.3	V
	V ₂₁₋₄₁		3.6	4.0	4.4	V
	V ₂₄₋₄₁		5.5	6.1	6.7	V
	V ₂₆₋₄₁		7.5	8.1	8.6	V
	V ₂₇₋₄₁		2.2	2.6	3.0	V
	V ₂₉₋₄₁		1.9	2.3	2.7	V
	V ₃₁₋₄₁		4.1	4.5	4.9	V
	V ₃₂₋₄₁		5.0	5.4	5.8	V
	V ₃₆₋₄₁		5.0	5.6	6.2	V
V ₃₈₋₄₁		3.9	4.3	4.7	V	
Y signal voltage gain (1)	ΔV_{18-41}	ΔV_{18} at $\Delta V_{31}=1V$	420	500	580	mV
Y signal voltage gain (2)	ΔV_{14-41}	ΔV_{14} at $\Delta V_{31}=1V$	420	500	580	mV
Y signal voltage gain (3)	ΔV_{21-41}	ΔV_{21} at $\Delta V_{31}=1V$	0.95	1.1	1.25	V
Delay Section						
Y signal delay time	t _{DL} (Y)	Y signal input, output delay time at DL=100ns	188	235	282	ns
Y signal frequency characteristics (1)	e _f (Y ₁)	f=10MHz/f=1MHz at DL=100ns	-6	-4	—	dB
Y signal frequency characteristics (2)	e _f (Y ₂)	f=10MHz/f=1MHz at DL=65ns	-6	-3	—	dB
Primary differential signal delay time	t _{DL}	DL=100ns	80	100	120	ns
Primary differential signal delay time varying amount	Δt_{DL}	Difference at delay time change over	28	35	42	ns
Aperture Correction Section						
Aperture correction signal maximum gain	A _v (L)	f=2MHz Output at Vin=0.5V _{P-P}	0.7	0.9	1.3	V _{P-P}
Aperture correction signal coring characteristics (1)	e _{CO} (L ₁)	f=4MHz, Vin=75mV _{P-P} Output amplitude at V ₁₀ =1V	100	130	160	mV _{P-P}
Aperture correction signal coring characteristics (2)	e _{CO} (L ₂)	f=4MHz, Vin=75mV _{P-P} Output amplitude at V ₁₀ =5V	—	25	50	mV _{P-P}
Aperture correction signal secondary differential gain ratio	$\Delta A_{v'}$ (L)	f=4Hz/f=2MHz at Vin=0.5V _{P-P}	-6	-4	-2	dB
Detail Correction Section						
Detail correction signal maximum gain	A _v (S)	f=4MHz Input output ratio at Vin=50mV _{P-P}	16	18	21	dB

6932852 0014271 505

Panasonic

Electrical Characteristics (cont.) ($T_a=25\pm 2^\circ\text{C}$) (AN5342FBP)

Parameter	Symbol	Condition	min	typ	max	Unit
Detail correction signal gain control (typ.)	ΔA_v (S)	f=4MHz Vin=50mV _{P-P} Output ratio at V ₄₃ =5V→3V	-8.5	-6	-3.5	dB
Detail correction signal coring characteristics	e _{CO} (S)	f=4MHz Vin=50mV _{P-P} Output ratio at V ₃₂ =5V→3V	-7	-4	-2	dB
Detail correction signal limiter characteristics	Δe_{LT} (S)	f=4MHz Vin=100mV _{P-P} Output ratio at V ₁₀ =5V→3V	—	-5	-3	dB
Detail correction signal sharpness control	$\Delta A_v'$ (S)	f=4MHz Vin=50mV _{P-P} Output ratio at V ₁₉ =5V→3V	—	-7	-4	dB

DSC Section

DSC output voltage (1)	V _{LIM} (DSC)	f=4MHz Output DC at Vin=27mV _{P-P}	2	3	4	V
DSC output voltage (2)	V _S (DSC)	f=4MHz Output DC at Vin=150mV _{P-P}	7.5	8.8	—	V
DSC output voltage (3)	V _L (DSC)	f=4MHz Output DC at Vin=840mV _{P-P}	—	0.2	1.0	V
Noise reduction characteristics	V _{NR}	f=4MHz Pin [Ⓢ] bias voltage at Vin=150mV _{P-P}	—	0.2	1.0	V

VM Section

VM signal maximum gain	A _v (VM)	f=4MHz Output amplitude at Vin=100mV _{P-P}	0.6	0.9	1.4	V _{P-P}
VM signal limiter characteristics	ΔA_v (VM)	f=4MHz Vin=100mV _{P-P} Output ratio at V ₂₇ =5V→3V	2.5	4.0	5.5	dB
VM signal SW operation characteristics	e _{off} (VM)	f=4MHz Vin=100mV _{P-P} Output ratio at V ₂₅ =0→2V	—	-40	-25	dB
VM signal output DC level	V ₂₆₋₄₁	Difference in case between , V ₂₅ =0 and V ₂₅ =2V	-90	0	+90	mV

Reference Value

Y signal delay time variation amount	Δt_{DL} (Y)	Delay time difference in delay time changeover	—	(35)	—	ns
Primary differential signal pulse width (1)	$\Delta t_{(DL_1)}$	Output amplitude at 125ns rise pulse inputs (DL=100ns)	—	(190)	—	ns
Primary differential signal pulse width (2)	$\Delta t_{(DL_2)}$	Output amplitude at 125ns rise pulse inputs (DL=65ns)	—	(225)	—	ns
Primary differential signal output amplitude (1)	A _v (DL ₁)	Output amplitude at 125ns rise pulse inputs (DL=100ns)	—	(0.9)	—	V _{P-P}
Primary differential signal output amplitude (2)	A _v (DL ₂)	Output amplitude at 125ns rise pulse inputs (DL=65ns)	—	(0.8)	—	V _{P-P}
Aperture correction signal gain difference at delay change-over	ΔA_v (L)	f=2MHz, Vin=0.5V _{P-P} Output ratio at V ₃₀ =0→3V	—	(-3)	—	dB

Note) The characteristics value in parentheses is not a guaranteed value, but reference one on design.

6932852 0014272 441

Panasonic

Electrical Characteristics (Ta=25±2°C) (AN5342K)

Parameter	Symbol	Condition	min	typ	max	Unit
Circuit current	I ₂₇		44	55	66	mA
	I ₁₆		0.4	0.7	1.2	mA
Circuit voltage	V ₂₋₁		2.3	2.7	3.1	V
	V ₅₋₁		4.4	4.8	5.2	V
	V ₁₂₋₁		2.7	3.1	3.5	V
	V ₆₋₁		2.6	3.2	3.8	V
	V ₈₋₁		2.6	3.2	3.8	V
	V ₉₋₁		1.8	2.4	3.0	V
	V ₁₀₋₁		2.9	3.5	4.1	V
	V ₁₁₋₁		2.3	2.7	3.1	V
	V ₁₃₋₁		2.7	3.1	3.5	V
	V ₁₄₋₁		3.1	3.7	4.3	V
	V ₁₅₋₁		3.1	3.7	4.3	V
	V ₁₇₋₁		4.4	4.9	5.3	V
	V ₁₈₋₁		3.6	4.0	4.4	V
	V ₁₉₋₁		5.5	6.1	6.7	V
	V ₂₁₋₁		7.5	8.1	8.6	V
	V ₂₂₋₁		2.2	2.6	3.0	V
	V ₂₃₋₁		1.9	2.3	2.7	V
	V ₂₅₋₁		4.1	4.5	4.9	V
V ₂₆₋₁		5.0	5.4	5.8	V	
V ₂₈₋₁		5.0	5.6	6.2	V	
V ₃₀₋₁		3.9	4.3	4.7	V	
Y signal voltage gain (1)	ΔV ₁₅₋₁	ΔV ₁₅ at ΔV ₂₅ =1V	420	500	580	mV
Y signal voltage gain (2)	ΔV ₁₄₋₁	ΔV ₁₄ at ΔV ₂₅ =1V	420	500	580	mV
Y signal voltage gain (3)	ΔV ₁₈₋₁	ΔV ₁₈ at ΔV ₂₅ =1V	0.95	1.1	1.25	V
Delay Section						
Y signal delay time	t _{DL} (Y)	Y signal input, output delay time at DL=100ns	188	235	282	ns
Y signal frequency characteristics (1)	e _f (Y ₁)	f=10MHz/f=1MHz at DL=100ns	-6	-4	—	dB
Y signal frequency characteristics (2)	e _f (Y ₂)	f=10MHz/f=1MHz at DL=65ns	-6	-3	—	dB
Primary differential signal delay time	t _{DL}	DL=100ns	80	100	120	ns
Primary differential signal delay time varying amount	Δt _{DL}	Difference in delay time change-over	28	35	42	ns
Aperture Correction Section						
Aperture correction signal maximum gain	A _v (L)	f=2MHz Output at V _{in} =0.5V _{P-P}	0.7	0.9	1.3	V _{P-P}
Aperture correction signal coring characteristics (1)	e _{CO} (L ₁)	f=4MHz, V _{in} =75mV _{P-P} Output amplitude at V ₁₂ =1V	100	130	160	mV _{P-P}
Aperture correction signal coring characteristics (2)	e _{CO} (L ₂)	f=4MHz, V _{in} =75mV _{P-P} Output amplitude at V ₁₂ =5V	—	25	50	mV _{P-P}
Aperture correction signal secondary differential gain ratio	ΔA _v '(L)	f=4MHz/f=2MHz at V _{in} =0.5V _{P-P}	-6	-4	-2	dB
Detail Correction Section						
Detail correction signal maximum gain	A _v (S)	Input output ratio at V _{in} =50mV _{P-P}	16	18	21	dB
Detail correction signal gain control (typ.)	ΔA _v (S)	Output ratio at V ₃ =5V→3V	-8.5	-6	-3.5	dB

6932852 0014273 388

Panasonic

■ Electrical Characteristics (cont.) (Ta=25±2°C) (AN5342K)

Parameter	Symbol	Condition	min	typ	max	Unit
Detail correction signal coring characteristics	e_{CO} (S)	f=4MHz, Vin=50mV _{P-P} Output ratio at V ₂₆ =5V→3V	-7	-4	-2	dB
Detail correction signal limiter characteristics	Δe_{LT} (S)	f=4MHz, Vin=100mV _{P-P} Output ratio at V ₁₂ =5V→3V	—	-5	-3	dB
Detail correction signal sharpness control	$\Delta A_v'$ (S)	f=4MHz, Vin=50mV _{P-P} Output ratio at V ₁₆ =5V→3V	—	-7	-4	dB

DSC Section

DSC output voltage (1)	V _{LIM} (DSC)	f=4MHz Output DC at Vin=27mV _{P-P}	2	3	4	V
DSC output voltage (2)	V _S (DSC)	f=4MHz, Output DC at Vin=150mV _{P-P}	7.5	8.8	—	V
DSC output voltage (3)	V _L (DSC)	f=4MHz, Output DC at Vin=840mV _{P-P}	—	0.2	1.0	V
Noise reduction characteristics	V _{NR}	f=4MHz, Pin②⑥ bias voltage at Vin=150mV _{P-P}	—	0.2	1.0	V

VM Section

VM signal maximum gain	A _v (VM)	f=4MHz, Output amplitude at Vin=100mV _{P-P}	0.6	0.9	1.4	V _{P-P}
VM signal limiter characteristics	ΔA_v (VM)	f=4MHz, Vin=100mV _{P-P} Output ratio at V ₂₂ =0→2V	2.5	4.0	5.5	dB
VM signal SW operation characteristics	e _{off} (VM)	f=4MHz, Vin=100mV _{P-P} Output ratio at V ₂₀ =5V→3V	—	-40	-25	dB
VM signal output DC level	ΔV_{21-1}	V _{CC} =9V, Pin②⑦ output voltage difference at V ₂₀ =0V/2V	-90	0	+90	mV

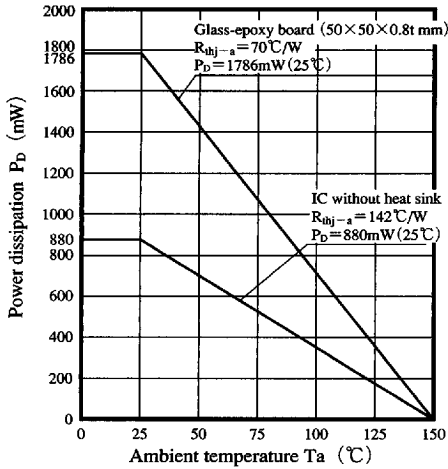
Reference Value

Y signal delay time variation amount	Δt_{DL} (Y)	Difference of delay time in delay time change-over	—	(35)	—	ns
Primary differential signal pulse width (1)	$\Delta t_{(DL_1)}$	Pulse width in 125ns pulse input (DL=100ns)	—	(190)	—	ns
Primary differential signal pulse width (2)	$\Delta t_{(DL_2)}$	Pulse width in 125ns pulse input (DL=65ns)	—	(225)	—	ns
Primary differential signal output amplitude (1)	A _v (DL ₁)	Pulse width in 125ns pulse input (DL=100ns)	—	(0.9)	—	V _{P-P}
Primary differential signal output amplitude (2)	A _v (DL ₂)	Pulse width in 125ns pulse input (DL=65ns)	—	(0.8)	—	V _{P-P}
Profile correction signal gain difference at delay change-over	ΔA_v (L)	f=2Mz, Vin=0.5V _{P-P} Output ratio at V ₂₄ =0→3V	—	(-3)	—	dB

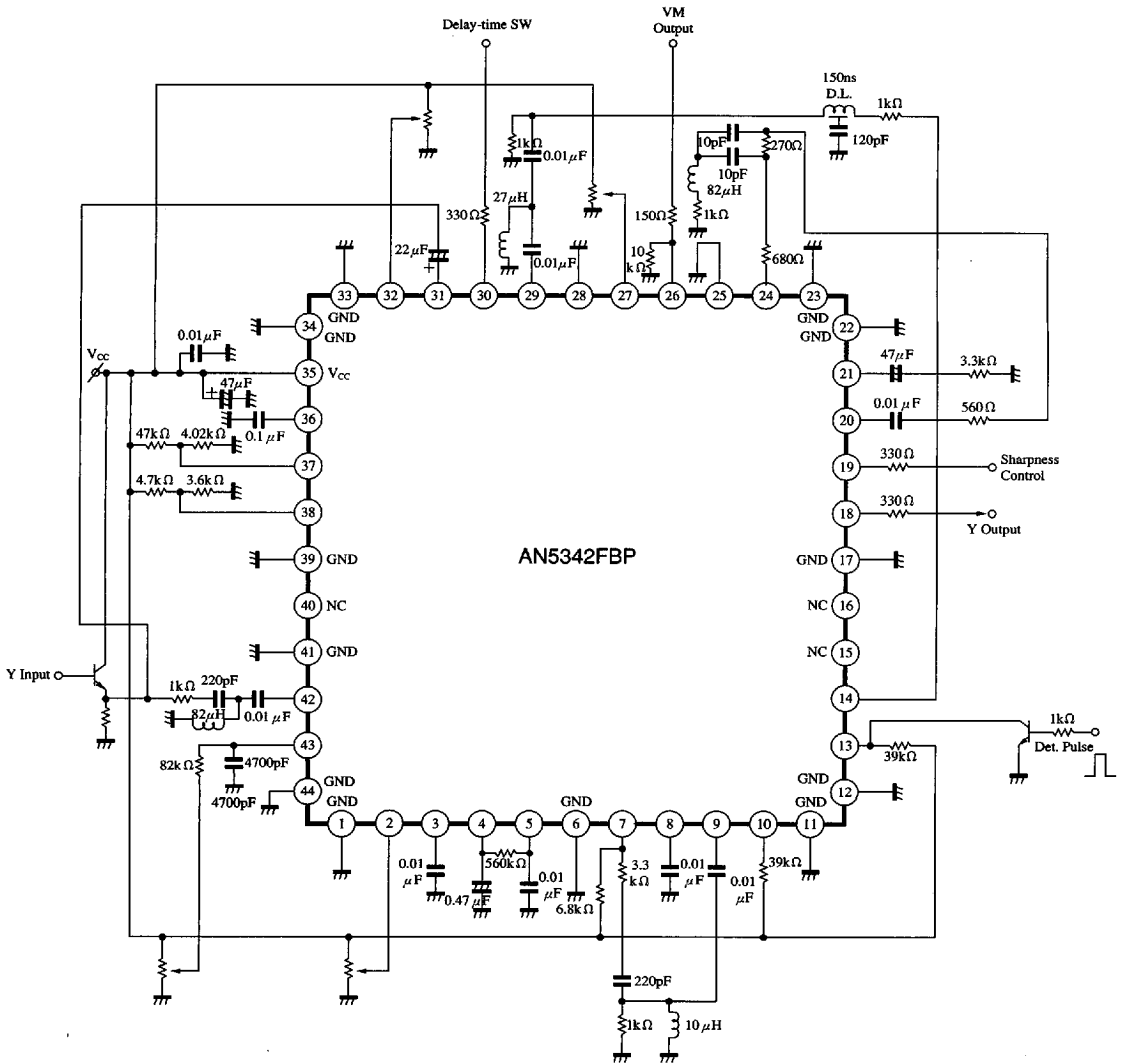
Note) The characteristics value in parentheses is not a guaranteed value, but reference one on design.

**ICs for
TV**
6932852 0014274 214
Panasonic

Reference $P_D - T_a$



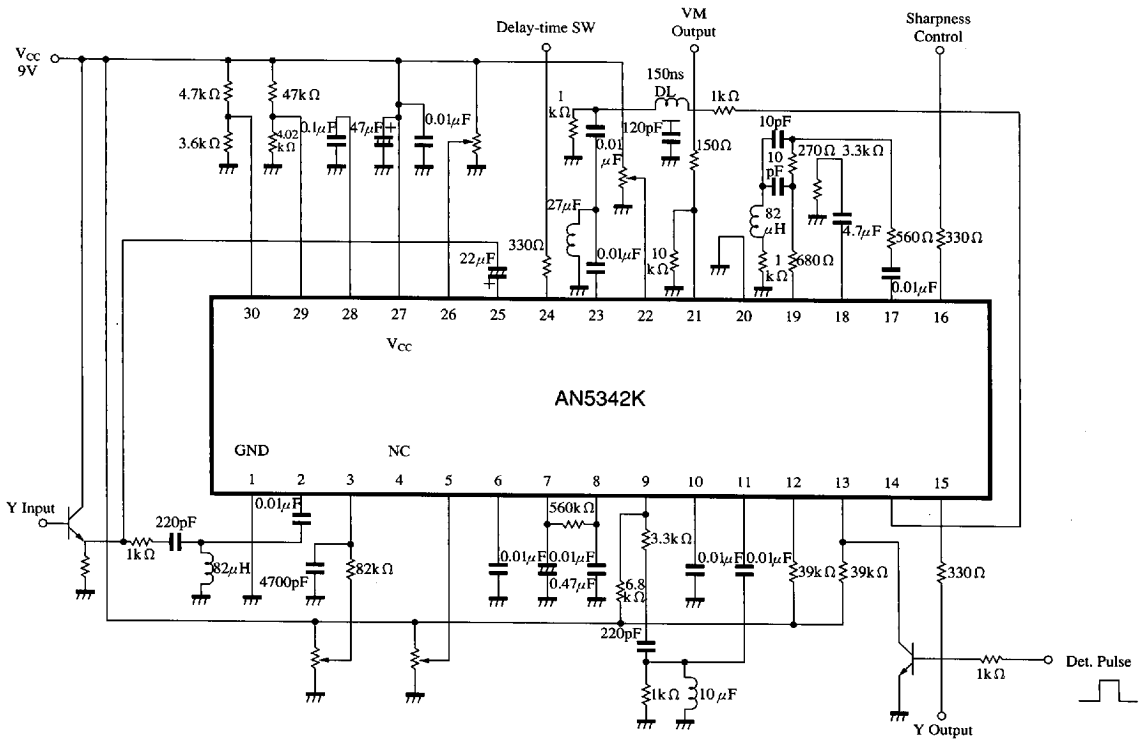
Application Circuit of AN5342FBP



Panasonic

6932852 0014275 150

■ Application Circuit



ICs for TV

6932852 0014276 097

Panasonic