

**LA9702W****DVD Player Front End Processor****Overview**

The LA9702W is an RF signal-processing and servo error signal generation IC for DVD and CD playback. A DVD player can be implemented by combining this IC with a DVD DSP product that includes a digital servo DSP.

Functions and Features

- RF signal generation (with built-in gain adjustment VGA circuit)
- RF peak detection and generation
- RF bottom detection and generation (with time constant switching)
- Built-in RF equalizer amplifiers (two systems)
- FE amplifier (with built-in balance adjustment VCA and offset cancellation pin)
- Three-beam TE amplifier (with built-in balance adjustment VCA and offset cancellation pin)
- Reflection amplifier
- DPD circuit
- Tracking hold circuit
- Push-pull TE amplifier (with built-in balance adjustment VCA)
- Built-in wobble detection bandpass filter
- APC circuits (two systems)
- Defect detection circuit

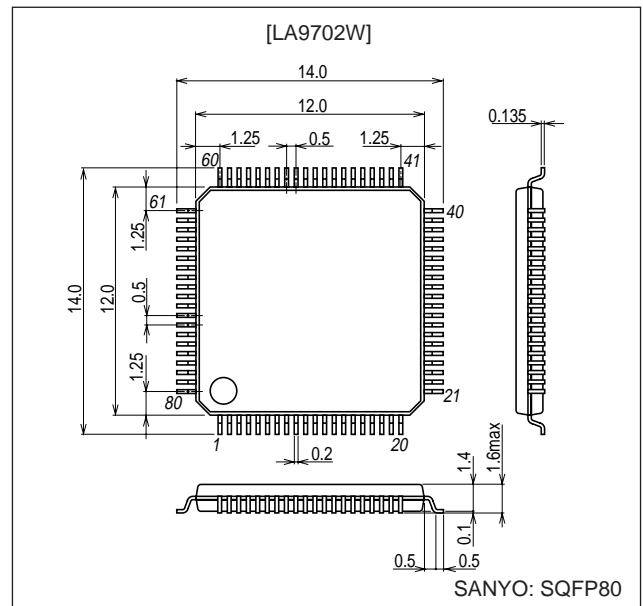
Specifications**Maximum Ratings at Ta = 25°C**

Parameter	Symbol	Conditions	Ratings	Unit
Maximum supply voltage	V _{CC} max		6.0	V
Allowable power dissipation	P _d max	P _d max for ≤ 70°C (when mounted on a PCB)	500	mW
Operating temperature	T _{opr}		-25 to +70	°C
Storage temperature	T _{stg}		-40 to +150	°C

Note: These specifications are subject to change without notice.

Package Dimensions

unit: mm

3220-SQFP80

- Any and all SANYO products described or contained herein do not have specifications that can handle applications that require extremely high levels of reliability, such as life-support systems, aircraft's control systems, or other applications whose failure can be reasonably expected to result in serious physical and/or material damage. Consult with your SANYO representative nearest you before using any SANYO products described or contained herein in such applications.
- SANYO assumes no responsibility for equipment failures that result from using products at values that exceed, even momentarily, rated values (such as maximum ratings, operating condition ranges, or other parameters) listed in products specifications of any and all SANYO products described or contained herein.

SANYO Electric Co.,Ltd. Semiconductor Company

TOKYO OFFICE Tokyo Bldg., 1-10, 1 Chome, Ueno, Taito-ku, TOKYO, 110-8534 JAPAN

LA9702W

Operating Conditions at $T_a = 25^\circ\text{C}$

Parameter	Symbol	Conditions	Ratings	Unit
Recommended supply voltage	Vcc		5.0	V
Operating supply voltage	Vccop		4.5 to 5.5	V

Electrical Characteristics/Operating Characteristics

at $T_a = 25^\circ\text{C}$, V_{CC} (pins 12, 55, and 66) = 5 V, ground (pins 17, 49, and 74) = 0 V

Parameter	Symbol	Conditions	Ratings			Unit
			min	typ	max	
Current drain	ICC	No signal	40	58	75	mA
Reference voltage 1	PREF	Pin 79, load current: ± 2 mA	2.3	2.5	2.7	V
Reference voltage 2	SREF	Pin 27, load current: ± 2 mA	2.3	2.5	2.7	V
RF gain 1	RFG1	Input to pins 1 and 2, pin 21 = SREF - 0.75 V Pin 61 = pin 63 = pin 76 = 5 V, pins 40 and 41	0.25	3.25	6.25	dB
RF gain 2	RFG2	Input to pins 1 and 2, pin 21 = REF + 0.75 V Pin 61 = pin 63 = pin 76 = 5 V, pins 40 and 41	18	21	24	dB
PH	PH	Pin 7 = pin 8 = pin 9 = 400 mVpp, pin 21 = SREF - 0.75 V Pin 61 = 5 V, pin 63 = pin 76 = 0 V, pin 44	SREF + 0.4	SREF + 0.65	SREF + 0.9	V
BH	BH	Pin 7 = pin 8 = pin 9 = 400 mVpp, pin 21 = SREF - 0.75 V Pin 57 = pin 59 = pin 61 = 5 V, pin 63 = pin 76 = 0 V, pin 42	SREF - 0.08	SREF - 0.28	SREF - 0.48	V
RREC1	RREC1	Input to pins 3, 4, 5, and 6, pin 18 = SREF - 0.75 V, pin 76 = 5 V, Pin 28	4.2	9.2	14.2	dB
RREC2	RREC2	Input to pins 3, 4, 5, and 6, pin 18 = SREF - 0.75 V, pin 76 = 5 V, Pin 28	20	23	26	dB
RRECOST	ROST	Pin 3 = pin 4 = pin 5 = pin 6 = PREF, pin 18 = SREF Pin 76 = 5 V, pin 28	SREF - 0.3	SREF	SREF + 0.3	V
FEGAIN1	FEG1	Input to pins 3, 4, 5, and 6, pin 18 = SREF - 0.75 V, pin 76 = 5 V, Pin 29	13.9	17.9	21.9	dB
FEGAIN2	FEG2	Input to pins 3, 4, 5, and 6, pin 18 = SREF + 0.75 V, pin 76 = 5 V, Pin 29	24	27	30	dB
FEOST	FOST	Pin 3 = pin 4 = pin 5 = pin 6 = PREF, pin 18 = SREF Pin 76 = 5 V, pin 29	SREF - 0.3	SREF	SREF + 0.3	V
FEBAL1	FBAL1	Input such that pin 3 = pin 5 and pin 4 = pin 6, pin 18 = SREF, Pin 76 = 5 V, pin 19 = SREF - 1 V, pin 29: Δ GAIN	3.7	6.7	9.7	dB
FEBAL2	FBAL2	Input such that pin 3 = pin 5 and pin 4 = pin 6, pin 18 = SREF, Pin 76 = 5 V, pin 19 = SREF + 1 V, pin 29: Δ GAIN	-9.7	-6.7	-3.7	dB
TEGAIN1	TEG1	Input to pin 10 and 11, pin 18 = SREF - 0.75 V, pin 63 = 0 V, Pin 68 = 0 V, pin 36	11.8	15.8	19.8	dB
TEGAIN2	TEG2	Input to pin 10 and 11, pin 18 = SREF + 0.75 V, pin 63 = 0 V, pin 68 = 0 V, pin 36	26	29	32	dB
TEOST	TOST	Pin 10 = pin 11 = PREF, pin 18 = SREF, pin 63 = 0 V Pin 68 = 0 V, pin 53 = 5 V, pin 36	SREF - 0.3	SREF	SREF + 0.3	V
TEBAL1	TBAL1	Input to pins 10 and 11, pin 18 = SREF, pin 63 = 0 V Pin 68 = 0 V, pin 20 = REF - 1 V, pin 36 Δ GAIN	4	7	10	dB
TEBAL2	TBAL2	Input to pins 10 and 11, pin 18 = SREF, pin 63 = 0 V Pin 68 = 0 V, pin 20 = REF + 1 V, pin 36 Δ GAIN	-10	-7	-4	dB
DPD phase difference Voltage difference 1	PD1	The difference in the pin 30 voltage between when input with pin 1 = SREF, pin 2 = 5 MHz with 0° phase, pin 3 = 5 MHz with 36° phase, and when input with pin 1 = SREF, pin 2 = 5 MHz with 36° phase, pin 3 = 5 MHz with 0° phase. $R_L = 6.8\text{ k}\Omega$	0.25	0.37	0.48	V
DPD phase difference Voltage difference 2	PD2	The difference in the pin 30 voltage between when input with pin 1 = SREF, pin 2 = 5 MHz with 0° phase, pin 4 = 5 MHz with 36° phase, and when input with pin 1 = SREF, pin 2 = 5 MHz with 36° phase, pin 4 = 5 MHz with 0° phase. $R_L = 6.8\text{ k}\Omega$	-0.48	-0.37	-0.25	V

Continued on next page.

LA9702W

Continued from preceding page.

Parameter	Symbol	Conditions	Ratings			Unit
			min	typ	max	
DPD phase difference Voltage difference 3	PD3	The difference in the pin 30 voltage between when input with pin 1 = SREF, pin 2 = 5 MHz with 0° phase, pin 5 = 5 MHz with 36° phase, and input with pin 1 = SREF, pin 2 = 5 MHz with 36° phase, pin 5 = 5 MHz with 0° phase. $R_L = 6.8 \text{ k}\Omega$	0.25	0.37	0.48	V
DPD phase difference Voltage difference 4	PD4	The difference in the pin 30 voltage between when input with pin 1 = SREF, pin 2 = 5 MHz with 0° phase, pin 6 = 5 MHz with 36° phase, and input with pin 1 = SREF, pin 2 = 5 MHz with 36° phase, pin 6 = 5 MHz with 0° phase. $R_L = 6.8 \text{ k}\Omega$	-0.48	-0.37	-0.25	V
DPD offset	DPDOF	Pin 1 = SREF, 2 = 3 = 4 = 5 = 5 MHz, $R_L = 6.8 \text{ k}\Omega$	SREF - 0.5	SREF	SREF + 0.5	V
APC1 reference voltage	LDS1	Pin 72 = 5 V	150	180	200	mV
APC1 off level	LDD1	Pin 72 = 0 V	4.5	5		V
APC2 reference voltage	LDS2	Pin 70 = 5 V	150	180	200	mV
APC2 off level	LDD2	Pin 70 = 0 V	4.5	5		V
DFFTMU	DEFTMU	Pin 2 = 80 kHz. The time difference from a pin 2 edge to the rising edge on pin 46.	1.8	4	5.8	μS
DFFTMD	DFFTMD	Pin 2 = 80 kHz. The time difference from a pin 2 edge to the falling edge on pin 46.		100	500	μS
BPF1	BPF1	Pin 34 = 210 kHz, pin 32	-1	2	5	dB
BPF2	BPF2	Pin 34 = 120 kHz, pin 32	-20	-4	0	dB
BPF3	BPF3	Pin 34 = 3500 kHz, pin 32	-20	-6.5	-1	dB

Functional Description

1. RF amplifier

- DVD mode

The RF signal input as a differential signal to pins 1 and 2 is passed through the RF VCA and is output from pin 65. The signal output from pin 65 is passed through a DVD RF equalizer and is output to later stage ICs from pins 40 and 41. When pin 63 is high, the RF signal does not pass through the customer amplifier. As a result, it is not influenced by the external peripheral circuit connected to pins 78 through 80. The RF VCA gain is controlled by applying a DC voltage to pin 21. This IC provides two RF equalizer systems, and when pin 61 is high the pin 77 equalizer output is selected, and when low, the pin 52 equalizer output is selected. The amount of boost provided by the RF equalizer can be modified with the pin 22 DC voltage.

- CD mode

Pins 8, 9, and 10 can be set to be the RF input pins by setting pin 76 low. The customer amplifier connected to pins 78 through 80 is enabled by setting pin 63 low, a CD equalizer circuit can be constructed on pins 78 through 80, and the signal will not pass through the DVD RF equalizer. The RF VCA gain is controlled by applying a DC voltage to pin 21.

2. Peak hold/bottom hold

The envelope waveforms for the peak and bottom of the front end RF signal output from pins 40 and 41 are output from pins 42 and 43. The envelope detection constants are set by the values of the resistors inserted between pins 43 and 39 and ground. The bottom hold detection constant can be increased by about a factor of 4 by setting pin 59 low. The bottom hold band width is also be increased by about a factor of 2 by setting pin 57 low.

3. Defect detection

The RF signal input from the pickup is converted to binary by a limiter circuit. The binary signal time is observed with a monostable multivibrator, and if there is no change in binary signal for over a certain fixed period, pin 46 is set high. The time period of the monostable multivibrator is set by the value of the capacitor connected to pin 47 and the resistor connected to pin 48.

4. RF equalizer

The CD RF equalizer is constructed from external components and the customer amplifier on pins 78 and 80, and outputs to the RF VCA in the next stage.

This IC provides two DVD RF equalizer systems, one of which is formed from external components and pins 67, 69, 71, 73, 75, and 77, and the other system is formed from external components and pins 52, 54, 56, 58, 60, and 62. When pin 61 is high, the equalizer system on pins 67, 69, 71, 73, 75, and 77 is selected, and when that pin is low, the equalizer system on pins 52, 54, 56, 58, 60, and 62 is selected. Since the customer amplifier is excluded from the signal path when pin 63 is high, the CD equalizer does not influence IC operation in DVD mode.

5. BCA

Peak envelope detection is applied to the previous stage RF signal output from pins 40 and 41. The result is converted to binary by comparison with the BCA threshold and output from pin 45. The BCA threshold is input from external circuits to pin 25.

6. Reflect amplifier

The signals input to pins 3, 4, 5, and 6 or pins 7, 8, and 9 are added with an summing amplifier. The pit component is removed from the input signal with a low-pass filter. The summed signal is passed through a VCA that adjusts the servo gain and output from pin 28. The VCA that adjusts the servo gain is controlled by the DC voltage applied to pin 18.

Note that when the pin 76 input is high, pins 3, 4, 5, and 6 are selected, and when low, pins 7, 8, and 9 are selected.

7. FE amplifier

The signal input from either pins 3, 4, 5, and 6 or pins 8 and 9 is first passed through an offset adjustment circuit and is then passed through a balance adjustment VCA. Then either the calculation $\langle(\text{pin } 3 + \text{pin } 5) - (\text{pin } 4 + \text{pin } 6)\rangle$ or $\langle\text{pin } 8 - \text{pin } 9\rangle$ is performed. The result is passed through the servo gain adjustment VCA and output from pin 29. The gain of the balance adjustment VCA is adjusted by the DC voltage input to pin 19. The offset adjustment can be adjusted by the DC voltage applied to pin 23. The VCA that adjusts the servo gain is controlled by the DC voltage applied to pin 18.

Note that when the pin 76 input is high, pins 3, 4, 5, and 6 are selected, and when low, pins 8 and 9 are selected.

8. TE amplifier (for three-beam operation)

The current signal input to pin 10 and 11 is converted from a current to a voltage, passed through an offset adjustment circuit, and passed through a balance adjustment VCA. Then the calculation $\langle\text{pin } 11 - \text{pin } 10\rangle$ is performed and the result passed through a servo gain adjustment VCA. The result is output from pin 30 after band switching. The offset adjustment can be adjusted by the DC voltage applied to pin 24. The gain of the balance adjustment VCA can be adjusted by the DC voltage applied to pin 20. The VCA that adjusts the servo gain is controlled by the DC voltage applied to pin 18. The band switching circuit is a low-pass filter with a cutoff frequency of 30 kHz when pin 57 is high and 100 kHz when pin 57 is low. When pin 53 is low, pin 30 operates in hold mode.

Note that the three-beam TE is used when pin 68 is low.

9. DPD circuit

The phases of the signals input to pins 1 and 2, and the signals input to pins 3, 4, 5, and 6 are compared and the result outputs from pin 30.

The phase comparison result signal is output as a current by the pin 38 constant-current charge pump and converted to a voltage level by the external capacitor and resistor on pin 38. The voltage-converted signal is passed through a buffer amplifier, is band limited by a band switching circuit, and is output from pin 30. The charge pump is turned off when pin 51 is high. The band switching circuit is a low-pass filter with a cutoff frequency of 30 kHz when pin 57 is high and 100 kHz when pin 57 is low. When pin 53 is low, pin 30 operates in hold mode.

Note that the DPD circuit is used when pin 63 will be high.

10. PP amplifier

The signals input to pins 3, 4, 5, and 6 are passed first through an offset adjustment circuit and then through a balance adjustment VCA. The calculation $\langle(\text{pin } 3 + \text{pin } 6) - (\text{pin } 4 - \text{pin } 5)\rangle$ is performed. The result is passed through a servo gain adjustment VCA and is output from pin 35 after band switching. The offset adjustment can be adjusted by the DC voltage applied to pin 24. The gain of the balance adjustment VCA can be adjusted by the DC voltage applied to pin 20. The VCA that adjusts the servo gain is controlled by the DC voltage applied to pin 18.

Note that the PP amplifier is used when pin 68 will be high.

11. Wobble bandpass filter

The signal input to pin 34 is passed through a bandpass filter and output from pin 32. The frequency f_0 for the bandpass filter can be modified with the external resistor on pin 33. When the pin 33 external resistor is 62 k Ω , f_0 will be about 200 kHz.

12. APC circuit

A servo loop that holds the laser power fixed can be formed by inputting a monitor signal to pin 14 and connecting the laser driver to pin 13. The laser can be turned off by setting pin 72 low.

Note that there are two APC systems, with the other system consisting of pin 16 as the monitor input pin, pin 15 as the drive pin, and pin 70 as the laser off control pin.

13. Reference circuit

A voltage that is created by resistor dividing V_{CC} by 2 is output from pin 26. The pin 26 voltage is buffered and output from pins 79 and 27. The pin 79 voltage is a special-purpose reference voltage only for use by the pickup, and the pin 27 voltage is a reference supplied to the DSP and other systems.

LA9702W

Pin Functions

Pin No.	Pin	Function
1	RFN	RF signal – input
2	RFP	RF signal + input
3	PD1	Pickup signal input
4	PD2	Pickup signal input
5	PD3	Pickup signal input
6	PD4	Pickup signal input
7	PD5	Pickup signal input
8	PD6	Pickup signal input
9	PD7	Pickup signal input
10	PD8	Pickup signal input
11	PD9	Pickup signal input
12	VCC	Power supply (servo signal system)
13	LDD1	APC 1 output
14	LDS1	APC 1 monitor voltage input
15	LDD2	APC 2 output
16	LDS2	APC 2 monitor voltage input
17	GND	Ground (servo signal system)
18	SGC	Servo gain control (RREC, FE, and TE)
19	FEBL	Focus balance adjustment
20	TEBL	Tracking balance adjustment
21	VGA	RF gain adjustment
22	BST	Equalizer boost adjustment
23	FOST	Focus offset adjustment
24	TOST	Tracking offset adjustment
25	BCATH	BCA threshold adjustment
26	REFI	Reference voltage setting
27	SREF	Servo signal reference voltage output
28	RREC	Reflection output
29	FE	Focus error output
30	TE	Tracking error output
31	THC	TE hold time constant setting capacitor connection
32	WO	Wobble output
33	ISET	Bandpass filter center frequency setting resistor connection
34	WOI	Push-pull signal input
35	WOO	Push-pull signal output
36	TEO	Three-beam TE gain setting
37	TEN	Three-beam TE gain setting
38	CP	Charge pump gain setting resistor and capacitor connection
39	BHI	Bottom hold detection constant setting resistor connection
40	RFON	RF – output
41	RFOP	RF + output
42	BH	RF bottom detection output
43	PHI	Peak hold detection constant setting resistor connection
44	PH	RF peak detection output
45	BCA	BCA output
46	DEF	Defect output (High: defect detected)
47	DEFC	Defect detection capacitor connection
48	TC	Defect detection constant setting resistor connection
49	GND	Ground (DPD system)
50	LPC	RF DC servo capacitor connection
51	CPOF	Charge pump on/off control (High: off)
52	EQO2	RF equalizer setting
53	TH	Tracking hold (High: hold)

Continued on next page.

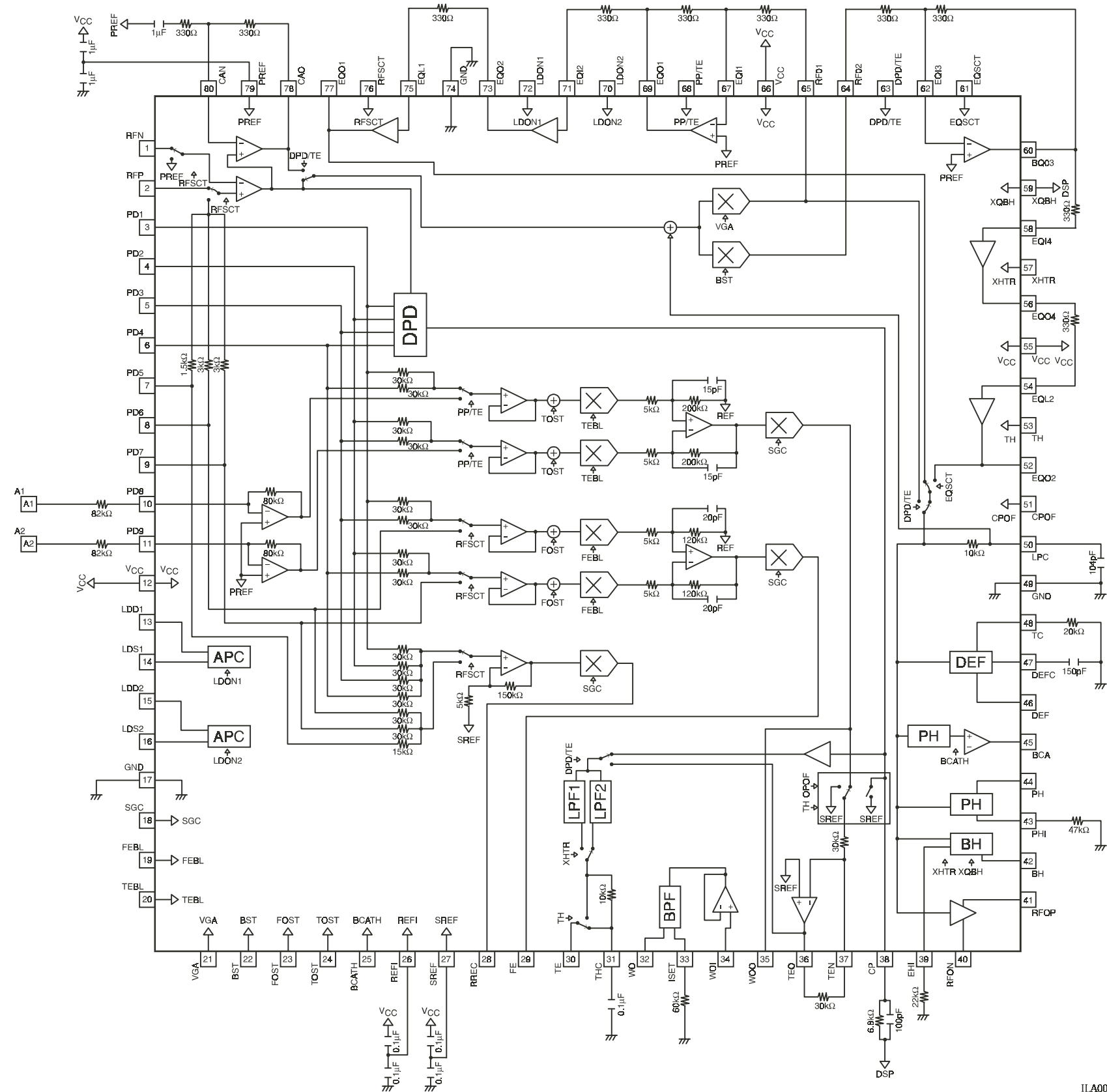
LA9702W

Continued from preceding page.

Pin No.	Pin	Function
54	EQL2	RF equalizer setting
55	VCC	Power supply (DPD system)
56	EQO4	RF equalizer setting
57	XHTR	Tracking and bottom detection band switching (Low: high band)
58	EQI4	RF equalizer setting
59	XQBH	Bottom detection time constant switching (Low: fast)
60	EQO3	RF equalizer setting
61	EQSCT	Equalizer switching (High: pin 77 selected, low: pin 52 selected)
62	EQI3	RF equalizer setting
63	DPD/TE	DPD/three-beam tracking switching (High: DPD)
64	RFO2	RF output
65	RFO1	RF output
66	VCC	Power supply (RF system)
67	EQI1	RF equalizer setting
68	PP/TE	Three-beam/push-pull tracking switching (Low: three-beam)
69	EQO1	RF equalizer setting
70	LDON2	APC 2 laser on/off control (High: on)
71	EQI2	RF equalizer setting
72	LDON1	APC 1 laser on/off control (High: on)
73	EQO2	RF equalizer setting
74	GND	Ground (RF system)
75	EQL1	RF equalizer setting
76	RFSCCT	RF input switching (High: RF differential input, PP error)
77	EQO1	RF equalizer setting
78	CAO	Customer amplifier output
79	PREF	Reference voltage output (pickup)
80	CAN	Customer amplifier input

Note: The equalizer constants support 1× and 2× speeds.

Test Circuit



ILA00260

- Specifications of any and all SANYO products described or contained herein stipulate the performance, characteristics, and functions of the described products in the independent state, and are not guarantees of the performance, characteristics, and functions of the described products as mounted in the customer's products or equipment. To verify symptoms and states that cannot be evaluated in an independent device, the customer should always evaluate and test devices mounted in the customer's products or equipment.
- SANYO Electric Co., Ltd. strives to supply high-quality high-reliability products. However, any and all semiconductor products fail with some probability. It is possible that these probabilistic failures could give rise to accidents or events that could endanger human lives, that could give rise to smoke or fire, or that could cause damage to other property. When designing equipment, adopt safety measures so that these kinds of accidents or events cannot occur. Such measures include but are not limited to protective circuits and error prevention circuits for safe design, redundant design, and structural design.
- In the event that any or all SANYO products (including technical data, services) described or contained herein are controlled under any of applicable local export control laws and regulations, such products must not be exported without obtaining the export license from the authorities concerned in accordance with the above law.
- No part of this publication may be reproduced or transmitted in any form or by any means, electronic or mechanical, including photocopying and recording, or any information storage or retrieval system, or otherwise, without the prior written permission of SANYO Electric Co., Ltd.
- Any and all information described or contained herein are subject to change without notice due to product/technology improvement, etc. When designing equipment, refer to the "Delivery Specification" for the SANYO product that you intend to use.
- Information (including circuit diagrams and circuit parameters) herein is for example only; it is not guaranteed for volume production. SANYO believes information herein is accurate and reliable, but no guarantees are made or implied regarding its use or any infringements of intellectual property rights or other rights of third parties.

This catalog provides information as of November, 2001. Specifications and information herein are subject to change without notice.