

**SANYO****STK73410II**

Thick Film Hybrid IC

Voltage Regulator for TV/VTR Use

**TENTATIVE**

Case Outline : 9 pins (See attached case outline drawing.)

Function : Off-line switching regulator

Use : Voltage regulator for color TV / VTR use

Feature : Self-oscillation type

Maximum Ratings at  $T_a = 25^\circ\text{C}$ 

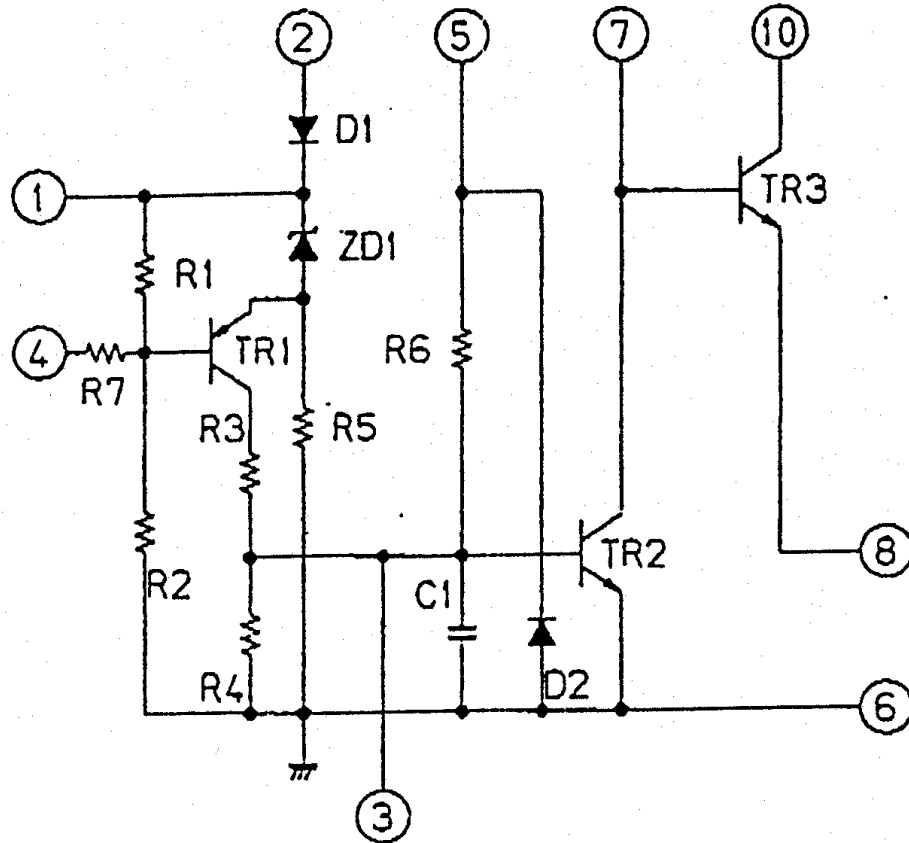
			unit
AC Input Voltage	$V_{AC}$	0 to 280	Vrms
Maximum Output Power	$W_o$ max	100	W
Operating Temperature	$T_{opg}$	-10 to +65	$^\circ\text{C}$
Storage Temperature	$T_{stg}$	-30 to +105	$^\circ\text{C}$
Operating Case Temperature	$T_c$ max	105	$^\circ\text{C}$
Thermal Resistance	$\theta_{j-c}$	1.3	$^\circ\text{C}/\text{W}$
Junction Temperature	$T_j$ max	150	$^\circ\text{C}$

Electrical Characteristics at  $T_a = 25^\circ\text{C}$ , Values shown below are measured using specified Test Circuit.

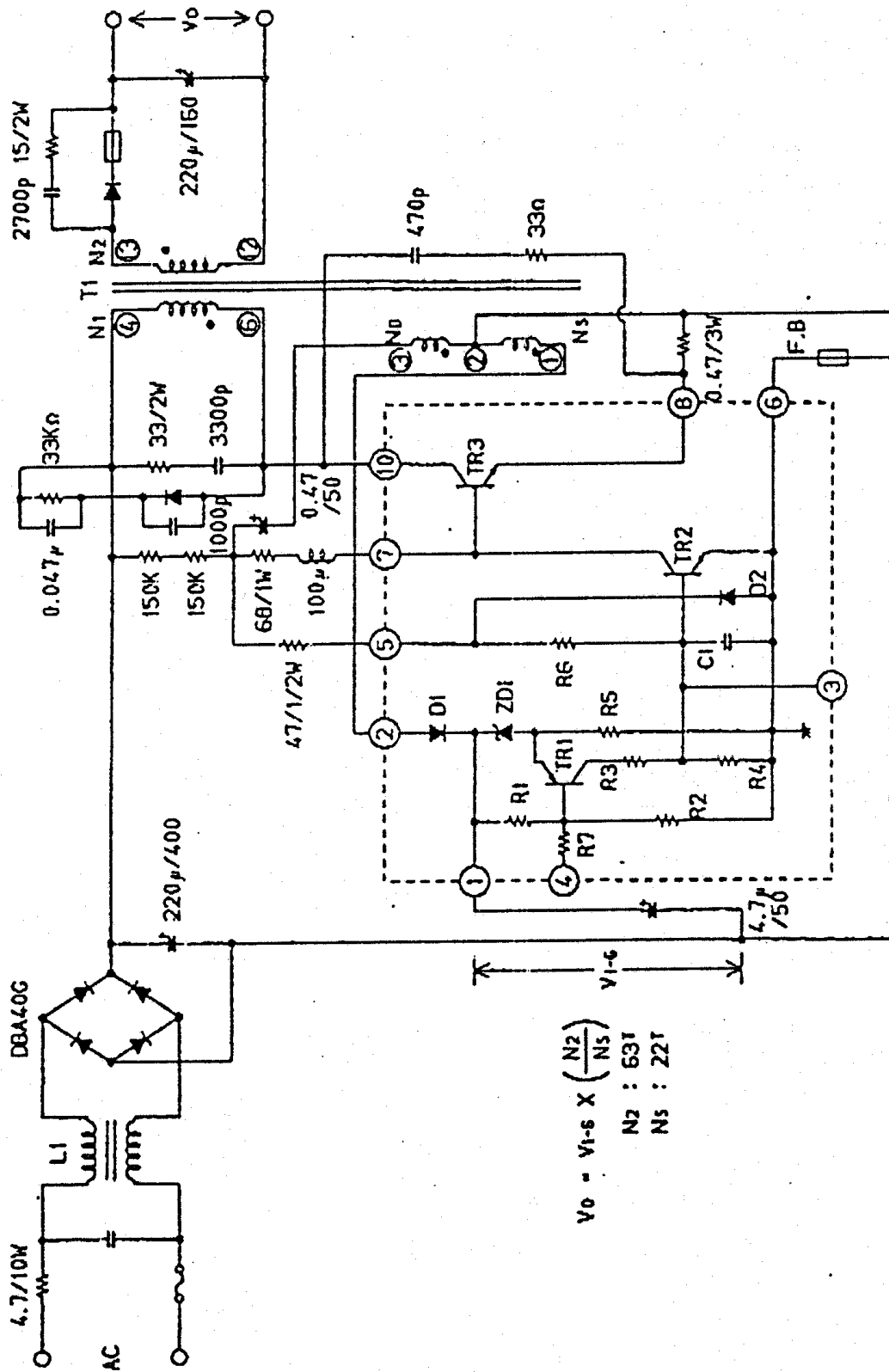
		min	typ	max	unit
Output Voltage Setting	$V_{AC} = 200\text{V}, I_O = 0.5\text{A}$	114	115	116	V
Line Regulation	$V_{AC} = 170$ to $280\text{V}, I_O = 0.5\text{A}$		0.4	1.0	V
Load Regulation	$V_{AC} = 200\text{V}, I_O = 0.4$ to $0.87\text{A}$		1.5	2.0	V
Input Power	$V_{AC} = 200\text{V}, I_O = 0.87\text{A}$		102	105	W
Output Ripple Voltage	$V_{AC} = 200\text{V}, I_O = 0.87\text{A}$		0.4	0.6	V <sub>pp</sub>
Temperature Coefficient	$V_{AC} = 200\text{V}, I_O = 0.87\text{A}$		7		mV/ $^\circ\text{C}$
Reduced Voltage Characteristic	$V_{AC} = 170\text{V}, I_O = 0.87\text{A}$	111.0	112.5		V
Light Load Characteristic	$V_{AC} = 200\text{V}, R_L = 4.7\text{k}\Omega$		125	135	V

STK73410II

Internal Equivalent Circuit (STK73410II)

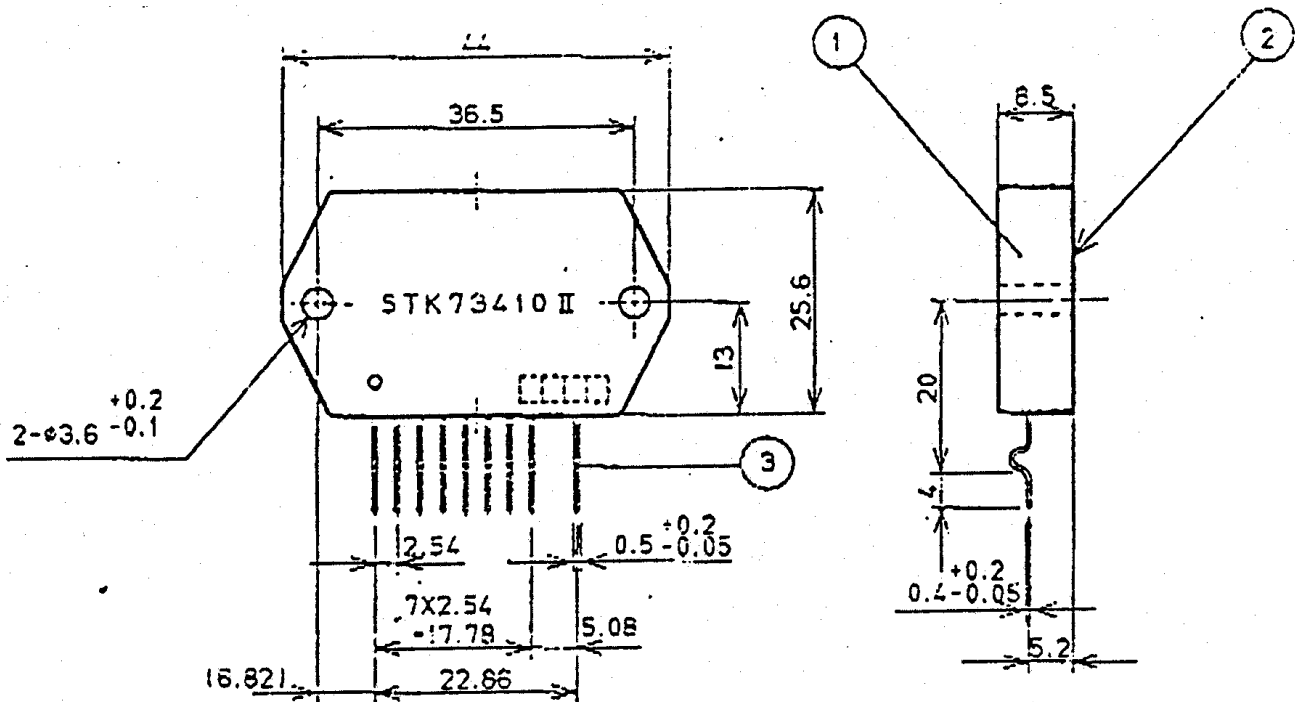


Application Circuit for 200V AC Input Voltage (STK73410II)



# STK73410II

## Case Outline (unit: mm)



The application circuit diagrams and circuit constants herein are included as an example and provide no guarantee for designing equipment to be mass-produced. The information herein is believed to be accurate and reliable. However, no responsibility is assumed by SANYO for its use, nor for any infringements of patents or other rights of third parties which may result from its use.