

HD14516B

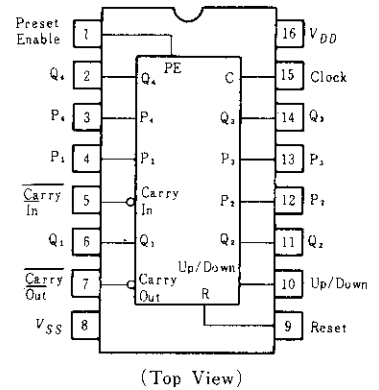
Binary Up/Down Counter

The HD14516B finds primary use where low power dissipation and/or high noise immunity is desired. This binary presettable up/down counter may be used as a counting/frequency synthesizer, in A/D and D/A conversion, for up/down counting, for magnitude and sign generation, and for difference counting.

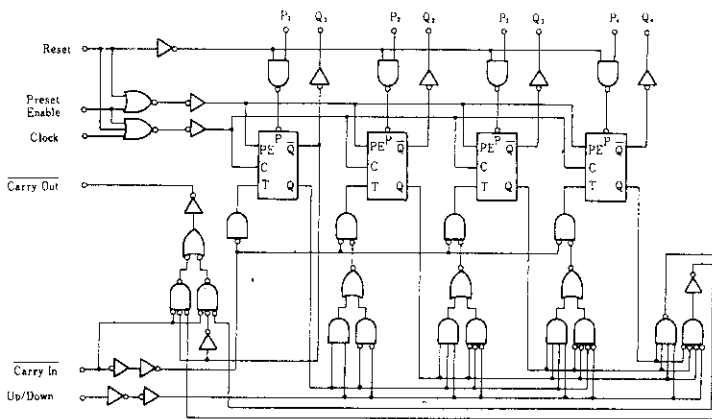
FEATURES

- Quiescent Current = 5nA/pkg typ. @5V
- Supply Voltage Range = 3 to 18V
- Internally Synchronous for High Speed
- Logic Edge-clocked Design ... Count Occurs on Positive Going Edge of Clock
- 6MHz Counting Rate (@10V)
- Single Pin Reset
- Asynchronous Preset Enable Operation
- Capable of Driving One Low-power Schottky TTL Load Over the Rated Temperature Range

PIN ARRANGEMENT



LOGIC DIAGRAM



TRUTH TABLE

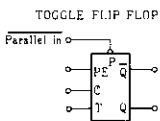
Carry In	Up/Down	Preset Enable	Reset	Action
1	x	0	0	No Count
0	1	0	0	Count Up
0	0	0	0	Count Down
x	x	1	0	Preset
x	x	x	1	Reset

x=Don't Care

Flip-flop Functional Truth Table

Preset Enable	Clock	Toggle Enable	Q _{n+1}
1	x	x	Parallel in
0	—	0	Q _n
0	—	1	Q̄ _n
0	—	x	Q _n

x=Don't Care



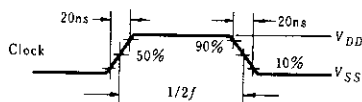
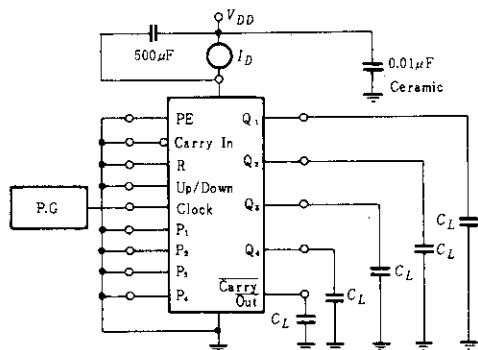
ELECTRICAL CHARACTERISTICS

Characteristic	Symbol	Test Conditions	-40°C		25°C			85°C		Unit	
			min	max	min	typ	max	min	max		
Output Voltage	V _{OL}	V _{in} = V _{DD} or 0	5.0	-	0.05	-	0	0.05	-	0.05	V
		10	-	0.05	-	0	0.05	-	0.05		
		15	-	0.05	-	0	0.05	-	0.05		
	V _{OH}	V _{in} = 0 or V _{DD}	5.0	4.95	-	4.95	5.0	-	4.95	-	V
		10	9.95	-	9.95	10	-	9.95	-		
		15	14.95	-	14.95	15	-	14.95	-		
Input Voltage	V _{IL}	V _{out} = 4.5 or 0.5V	5.0	-	1.5	-	2.25	1.5	-	1.5	V
		V _{out} = 9.0 or 1.0V	10	-	3.0	-	4.50	3.0	-	3.0	
		V _{out} = 13.5 or 1.5V	15	-	4.0	-	6.75	4.0	-	4.0	
	V _{IH}	V _{out} = 0.5 or 4.5V	5.0	3.5	-	3.5	2.75	-	3.5	-	V
		V _{out} = 1.0 or 9.0V	10	7.0	-	7.0	5.50	-	7.0	-	
		V _{out} = 1.5 or 13.5V	15	11.0	-	11.0	8.25	-	11.0	-	
Output Drive Current	I _{OH}	V _{OH} = 2.5V	5.0	-1.0	-	-0.8	-1.7	-	-0.6	-	mA
		V _{OH} = 4.6V	5.0	-0.2	-	-0.16	-0.36	-	-0.12	-	
		V _{OH} = 9.5V	10	-0.5	-	-0.4	-0.9	-	-0.3	-	
	I _{OL}	V _{OH} = 13.5V	15	-1.4	-	-1.2	-3.5	-	-1.0	-	mA
		V _{OL} = 0.4V	5.0	0.52	-	0.44	0.88	-	0.36	-	
		V _{OL} = 0.5V	10	1.3	-	1.1	2.25	-	0.9	-	
I _{OL}	V _{OL} = 1.5V	15	3.6	-	3.0	8.8	-	2.4	-		
Input Current	I _{in}	15	-	±0.3	-	±0.0001	±0.3	-	±1.0	μA	
Input Capacitance	C _{in}	-	-	-	-	5.0	7.5	-	-	pF	
Quiescent Current	I _{DD}	Zero Signal, per Package	5.0	-	20	-	0.005	20	-	150	μA
		10	-	40	-	0.010	40	-	300		
		15	-	80	-	0.015	80	-	600		
Total Supply Current*	I _T	Dynamic + I _{DD} , C _L = 50pF	5.0	-	-	-	0.58	-	-	-	μA
		f = 1 kHz,	10	-	-	-	1.2	-	-	-	
		per Gate	15	-	-	-	1.7	-	-	-	

* To calculate total supply current at frequency other than 1kHz.

© V_{DD} = 5.0V I_T = (0.58μA/kHz)f + I_{DD} © V_{DD} = 10V I_T = (1.2μA/kHz)f + I_{DD} © V_{DD} = 15V I_T = (1.7μA/kHz)f + I_{DD}

POWER DISSIPATION TEST CIRCUIT AND WAVEFORM

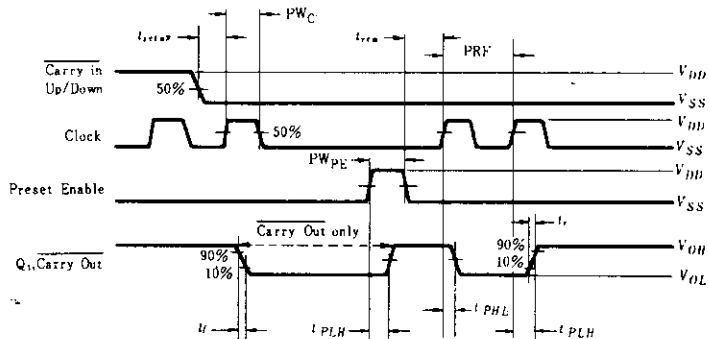


■SWITCHING CHARACTERISTICS ($C_L=50\text{pF}$, $T_a=25^\circ\text{C}$)

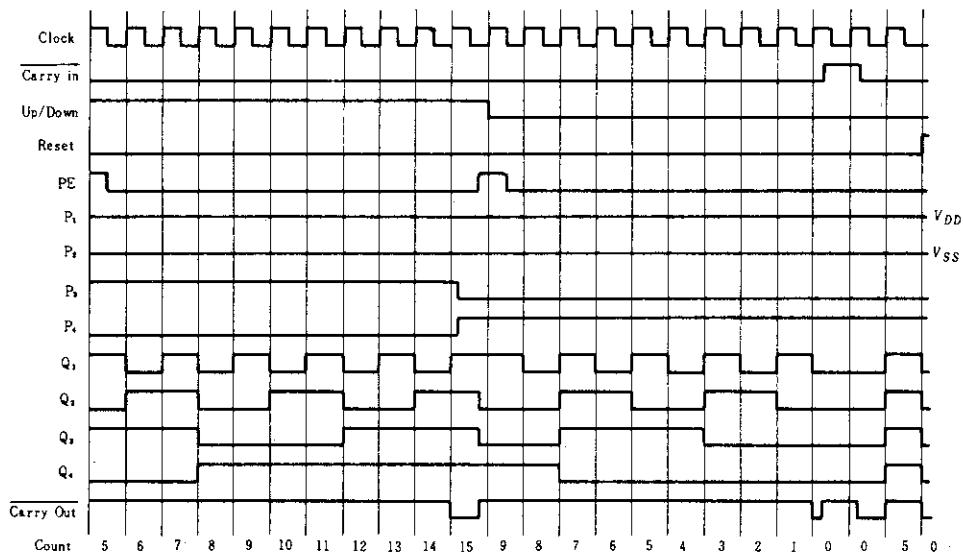
Characteristic		Symbol	V_{DD} (V)	min	typ	max	Unit
Output Rise Time		t_r	5.0	—	180	360	ns
			10	—	90	180	
			15	—	65	130	
Output Fall Time		t_f	5.0	—	100	200	ns
			10	—	50	100	
			15	—	40	80	
Propagation Delay Time	Clock-to-Q	t_{PLH} t_{PHL}	5.0	—	315	630	ns
			10	—	130	260	
			15	—	100	200	
	Clock-to-Carry Out		5.0	—	315	630	
			10	—	130	260	
			15	—	100	200	
	Carry In-to-Carry Out		5.0	—	180	360	
			10	—	80	160	
			15	—	60	120	
	Preset or Reset-to-Q		5.0	—	315	630	
			10	—	130	360	
			15	—	100	300	
Preset or Reset-to-Carry Out	5.0	—	550	1100			
	10	—	225	450			
	15	—	150	300			
Clock Pulse Width		PW_C	5.0	400	200	—	ns
			10	200	100	—	
			15	150	75	—	
Clock Frequency		PRF	5.0	—	3.0	1.5	MHz
			10	—	6.0	3.0	
			15	—	8.0	4.0	
Preset or Reset Removal Time*		t_{rem}	5.0	650	325	—	ns
			10	230	115	—	
			15	180	90	—	
Clock Pulse Rise and Fall Time		t_r, t_f	5.0	—	—	15	μs
			10	—	—	15	
			15	—	—	15	
Carry In Setup Time		t_{setup}	5.0	260	130	—	ns
			10	120	60	—	
			15	100	50	—	
Up/Down Setup Time	5.0		500	250	—		
	10		200	100	—		
	15		150	75	—		
Preset Enable Pulse Width		PW_{PE}	5.0	200	100	—	ns
			10	100	50	—	
			15	80	40	—	

*The Preset or Reset Signal must be low prior to a positive-going transition of the clock.

■ DYNAMIC SIGNAL WAVEFORMS



■ TIMING DIAGRAM





Hitachi Code	DP-16
JEDEC	Conforms
EIAJ	Conforms
Weight (reference value)	1.07 g



*Dimension including the plating thickness
Base material dimension

Hitachi Code	FP-16DA
JEDEC	—
EIAJ	Conforms
Weight (reference value)	0.24 g



*Dimension including the plating thickness
Base material dimension

Hitachi Code	FP-16DN
JEDEC	Conforms
EIAJ	Conforms
Weight (reference value)	0.15 g

Cautions

1. Hitachi neither warrants nor grants licenses of any rights of Hitachi's or any third party's patent, copyright, trademark, or other intellectual property rights for information contained in this document. Hitachi bears no responsibility for problems that may arise with third party's rights, including intellectual property rights, in connection with use of the information contained in this document.
2. Products and product specifications may be subject to change without notice. Confirm that you have received the latest product standards or specifications before final design, purchase or use.
3. Hitachi makes every attempt to ensure that its products are of high quality and reliability. However, contact Hitachi's sales office before using the product in an application that demands especially high quality and reliability or where its failure or malfunction may directly threaten human life or cause risk of bodily injury, such as aerospace, aeronautics, nuclear power, combustion control, transportation, traffic, safety equipment or medical equipment for life support.
4. Design your application so that the product is used within the ranges guaranteed by Hitachi particularly for maximum rating, operating supply voltage range, heat radiation characteristics, installation conditions and other characteristics. Hitachi bears no responsibility for failure or damage when used beyond the guaranteed ranges. Even within the guaranteed ranges, consider normally foreseeable failure rates or failure modes in semiconductor devices and employ systemic measures such as fail-safes, so that the equipment incorporating Hitachi product does not cause bodily injury, fire or other consequential damage due to operation of the Hitachi product.
5. This product is not designed to be radiation resistant.
6. No one is permitted to reproduce or duplicate, in any form, the whole or part of this document without written approval from Hitachi.
7. Contact Hitachi's sales office for any questions regarding this document or Hitachi semiconductor products.

HITACHI

Hitachi, Ltd.

Semiconductor & Integrated Circuits.
Nippon Bldg., 2-6-2, Ohte-machi, Chiyoda-ku, Tokyo 100-0004, Japan
Tel: Tokyo (03) 3270-2111 Fax: (03) 3270-5109

URL North America : <http://semiconductor.hitachi.com/>
 Europe : <http://www.hitachi-eu.com/hel/ecg>
 Asia (Singapore) : <http://www.has.hitachi.com.sg/grp3/sicd/index.htm>
 Asia (Taiwan) : http://www.hitachi.com.tw/E/Product/SICD_Frame.htm
 Asia (HongKong) : <http://www.hitachi.com.hk/eng/bo/grp3/index.htm>
 Japan : <http://www.hitachi.co.jp/Sicd/indx.htm>

For further information write to:

Hitachi Semiconductor
(America) Inc.
179 East Tasman Drive,
San Jose, CA 95134
Tel: <1> (408) 433-1990
Fax: <1> (408) 433-0223

Hitachi Europe GmbH
Electronic components Group
Dornacher Straße 3
D-85622 Feldkirchen, Munich
Germany
Tel: <49> (89) 9 9180-0
Fax: <49> (89) 9 29 30 00

Hitachi Europe Ltd.
Electronic Components Group.
Whitebrook Park
Lower Cookham Road
Maidenhead
Berkshire SL6 8YA, United Kingdom
Tel: <44> (1628) 585000
Fax: <44> (1628) 778322

Hitachi Asia Pte. Ltd.
16 Collyer Quay #20-00
Hitachi Tower
Singapore 049318
Tel: 535-2100
Fax: 535-1533

Hitachi Asia Ltd.
Taipei Branch Office
3F, Hung Kuo Building, No.167,
Tun-Hwa North Road, Taipei (105)
Tel: <886> (2) 2718-3666
Fax: <886> (2) 2718-8180

Hitachi Asia (Hong Kong) Ltd.
Group III (Electronic Components)
7/F., North Tower, World Finance Centre,
Harbour City, Canton Road, Tsim Sha Tsui,
Kowloon, Hong Kong
Tel: <852> (2) 735 9218
Fax: <852> (2) 730 0281
Telex: 40815 HITEC HX

Copyright ' Hitachi, Ltd., 1999. All rights reserved. Printed in Japan.

HITACHI