

PFM Step-Up DC/DC Regulators

Features

- Assured Start-up at 0.9V
- PFM (100kHz Max Operating Frequency)
- 40 μ A Maximum Supply Current ($V_{OUT} = 3V @ 30mA$)
- 0.5 μ A Shutdown Mode (TC125)
- Voltage Sense Input (TC126)
- Requires Only Three External Components
- 80mA Maximum Output Current
- Small Package: 5-Pin SOT-23A

Applications

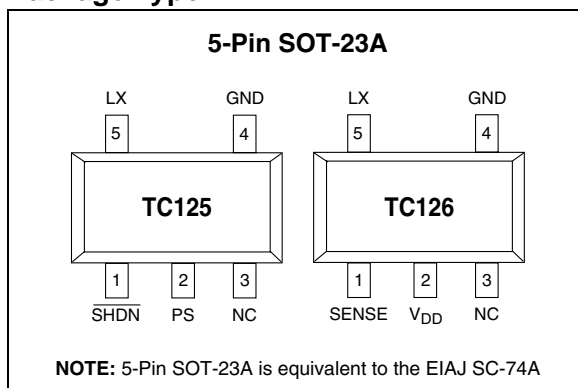
- Palmtops/PDAs
- Battery-Operated Systems
- Cameras
- Portable Communicators

Device Selection Table

Part Number	Output Voltage (V)*	Package	Operating Temp. Range
TC125501ECT	5.0	5-Pin SOT-23A	-40°C to +85°C
TC125331ECT	3.3	5-Pin SOT-23A	-40°C to +85°C
TC125301ECT	3.0	5-Pin SOT-23A	-40°C to +85°C
TC126503ECT	5.0	5-Pin SOT-23A	-40°C to +85°C
TC126333ECT	3.3	5-Pin SOT-23A	-40°C to +85°C
TC126303ECT	3.0	5-Pin SOT-23A	-40°C to +85°C

*Other output voltages are available. Please contact Microchip Technology Inc. for details.

Package Type



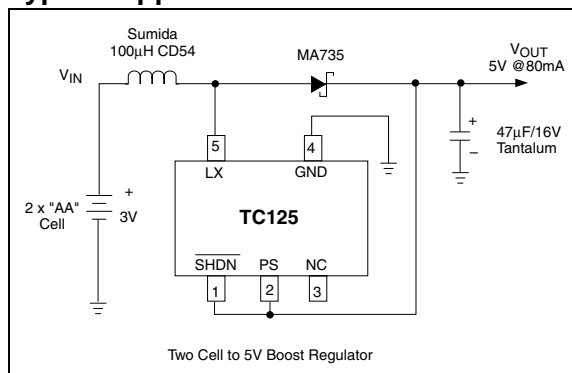
General Description

The TC125/126 step-up (Boost) switching regulators furnish output currents to a maximum of 80mA ($V_{IN} = 2V, V_{OUT} = 3V$) with typical efficiencies above 80%. These devices employ pulse frequency modulation (PFM) for minimum supply current at low loads. They are ideal for battery-operated applications powered from one or more cells. Maximum supply current is less than 70 μ A at full output load, and less than 5 μ A in standby ($V_{OUT} = 3V$). Both devices require only an external inductor, diode, and capacitor to implement a complete DC/DC regulator.

The TC126 has separate output voltage sensing and chip power inputs for greater application flexibility. The TC125 combines the output voltage sensing and chip power inputs onto a single package pin, but adds a power-saving shutdown mode that suspends regulator operation and reduces supply current to less than 0.5 μ A when the shutdown control input (SHDN) is low.

The TC125/TC126 are available in a small 5-Pin SOT-23A package, occupy minimum board space and use small external components. The TC125 accepts input voltages from 2V to 10V. The TC126 accepts input voltages from 2.2V to 10V. Both the TC125 and TC126 have a start-up voltage of 0.9V at light load.

Typical Application



TC125/TC126

1.0 ELECTRICAL CHARACTERISTICS

Absolute Maximum Ratings*

Voltage on V_{DD} , SENSE/ V_{DD} , LX, $\overline{\text{SHDN}}$ Pins
 -0.3V to +12V
 LX Sink Current..... 400mA pk
 Power Dissipation..... 150mW
 Operating Temperature Range..... -40°C to +85°C
 Storage Temperature Range -40°C to +125°C

*Stresses above those listed under "Absolute Maximum Ratings" may cause permanent damage to the device. These are stress ratings only and functional operation of the device at these or any other conditions above those indicated in the operation sections of the specifications is not implied. Exposure to Absolute Maximum Rating conditions for extended periods may affect device reliability.

TC125/TC126 ELECTRICAL SPECIFICATIONS

Electrical Characteristics: $V_{IN} = V_{OUT} \times 0.6$, $T_A = 25^\circ\text{C}$, $\overline{\text{SHDN}} = V_{OUT}$ (TC125), unless otherwise noted.						
Symbol	Parameter	Min	Typ	Max	Units	Test Conditions
V_{OUT}	Output Voltage	$V_R - 2.5\%$	$V_R \pm 0.5\%$	$V_R + 2.5\%$	V	
V_{DD}	Operating Supply Voltage	0.70	—	10.0	V	Note 4
V_{START}	Start-Up Supply Voltage	—	0.80	0.90	V	$I_{OUT} = 1\text{mA}$
I_{DD}	Operating Supply Current				μA	(Note 2) $V_{OUT} = 2\text{V}$, $I_{OUT} = 10\text{mA}$ $V_{OUT} = 3\text{V}$, $I_{OUT} = 30\text{mA}$ $V_{OUT} = 5\text{V}$, $I_{OUT} = 50\text{mA}$
I_{NL}	No Load Supply Current	—	5	9	μA	$I_{OUT} = 0$, $V_{OUT} = 2\text{V}$ $V_{OUT} = 3\text{V}$ $V_{OUT} = 5\text{V}$
		—	5	10		
		—	6	11		
I_{STBY}	Standby Supply Current	—	2	4	μA	$V_{IN} = V_{OUT} + 0.5\text{V}$, $V_{IN} = 2\text{V}$ $V_{IN} = 3\text{V}$ $V_{IN} = 5\text{V}$
		—	3	5		
		—	3	5		
I_{SHDN}	Shutdown Supply Current	—	—	0.5	μA	$\overline{\text{SHDN}} = V_{IL}$, (Note 2)
$R_{LX(ON)}$	LX Pin ON Resistance	—	10	14	Ω	$V_{LX} = 0.4\text{V}$, $V_{OUT} = 2\text{V}$ $V_{OUT} = 3\text{V}$ $V_{OUT} = 5\text{V}$ (Note 2), (Note 3)
		—	6	8		
		—	3	5		
I_{LX}	LX Pin Leakage Current	—	—	1	μA	No external components, $V_{OUT} = V_{LX} = 10\text{V}$
D_{CYCLE}	Duty Cycle	70	75	80	%	Measured at LX pin (Note 2)
f_{MAX}	Maximum Oscillator Frequency	85	100	115	kHz	Note 2
V_{LX_LIM}	LX Pin Limit Voltage	0.7	—	1.1	V	Note 2
η	Efficiency	—	70	—	%	$V_{OUT} = 2\text{V}$ $V_{OUT} = 3\text{V}$ $V_{OUT} = 5\text{V}$
		—	80	—		
		—	85	—		
V_{IH}	$\overline{\text{SHDN}}$ Input Logic High	0.75	—	—	V	
V_{IL}	$\overline{\text{SHDN}}$ Input Logic Low	—	—	0.20	V	
I_{INH}	$\overline{\text{SHDN}}$ Input Current (High)	—	—	0.25	μA	
I_{INL}	$\overline{\text{SHDN}}$ Pin Input Current (Low)	-0.25	—	—	μA	

- Note**
- 1: V_R is the factory output voltage setting.
 - 2: $V_{IN} = V_{OUT} \times 0.95$.
 - 3: V_{DD} input tied to SENSE input for TC126, as shown in Figure 3-2.
 - 4: The V_{PS} input of the TC125 must be operated between 2.0V and 10.0V for spec compliance. The V_{DD} input of the TC126 must be operated between 2.2V and 10.0V for spec compliance.

2.0 PIN DESCRIPTIONS

The descriptions of the pins are listed in Table 2-1.

TABLE 2-1: PIN FUNCTION TABLE

TC125 Pin No. (5-Pin SOT-23A)	TC126 Pin No. (5-Pin SOT-23A)	Symbol	Description
1	—	SHDN	Shutdown input. A logic low on this input suspends device operation and supply current is reduced to less than 0.5 μ A. The device resumes normal operation when SHDN is again brought high.
—	1	SENSE	Voltage sense input. This input provides feedback voltage sensing to the internal error amplifier. It must be connected to the output voltage node, preferably the single point in the system where tight voltage regulation is most beneficial.
2	—	PS	Power and voltage sense input. This dual function input provides both feedback voltage sensing and internal chip power. It should be connected to the regulator output. (See Figure 3-1).
—	2	V _{DD}	Power supply voltage input.
3	3	NC	Not connected.
4	4	GND	Ground terminal.
5	5	LX	Inductor switch output. LX is the drain of an internal N-channel switching transistor. This terminal drives the external inductor, which ultimately provides current to the load.

TC125/TC126

3.0 DETAILED DESCRIPTION

The TC125/126 are PFM step-up DC/DC regulators for use in systems operating from two or more cells or in low voltage, line powered applications. Because Pulse Frequency Modulation (PFM) is used, the TC125/126 switching frequency (and therefore supply current) is minimized at low output loads. This is especially important in battery operated applications (such as pagers) that operate in standby mode most of the time. For example, a TC125/126 with a 3V output and no load will consume a maximum supply current of only 10 μ A versus a supply current of 40 μ A maximum when $I_{OUT} = 30$ mA. Both devices require only an external inductor, diode and capacitor to implement a complete DC/DC converter.

The TC125 is recommended for applications requiring shutdown mode as a means of reducing system supply current. The TC125 is powered from the PS input, which must be connected to the regulated output as shown in Figure 3-1. PS also senses output voltage for closed-loop regulation. Start-up current is furnished through the inductor when input voltage is initially applied. This action starts the oscillator, causing the voltage at the PS input to rise, bootstrapping the regulator into full operation.

The TC126 (Figure 3-2) is recommended for all applications not requiring shutdown mode. It has separate V_{DD} and SENSE inputs, allowing it to be powered from any source of 2.2V to 10V in the system. The V_{DD} input of the TC126 may be connected to the V_{IN} , V_{OUT} , or an external DC voltage. Lower values of V_{DD} result in lower supply current, but lower efficiency due to higher switch ON resistance. Higher V_{DD} values increase supply current, but drive the internal switching transistor harder (lowering $R_{DS(ON)}$), thereby increasing efficiency.

3.1 Low Power Shutdown Mode

The TC125 enters a low power shutdown mode when \overline{SHDN} is brought low. While in shutdown, the oscillator is disabled and the internal switch is shut off. Normal regulator operation resumes when \overline{SHDN} is brought high. Because the TC125 uses an external diode, a leakage path between the input voltage and the output node (through the inductor and diode) exists while the regulator is in shutdown. Care must be taken in system design to assure the input supply is isolated from the load during shutdown.

3.2 Behavior When V_{IN} is Greater Than the Factory-Programmed OUT Setting

The TC125 and TC126 are designed to operate as step-up regulators only. As such, V_{IN} is assumed to always be less than the factory-programmed output voltage setting (V_R). Operating the TC125/126 with $V_{IN} > V_R$ causes regulating action to be suspended (and corresponding supply current reduction) until V_{IN} is again less than V_R . While regulating action is suspended, V_{IN} is connected to the output voltage node through the series combination of the inductor and Schottky diode. Again, care must be taken to add the appropriate isolation (MOSFET series switch or post LDO with shutdown) during system design if this V_{IN}/V_{OUT} leakage path is problematic.

FIGURE 3-1: TYPICAL TC125 CIRCUIT

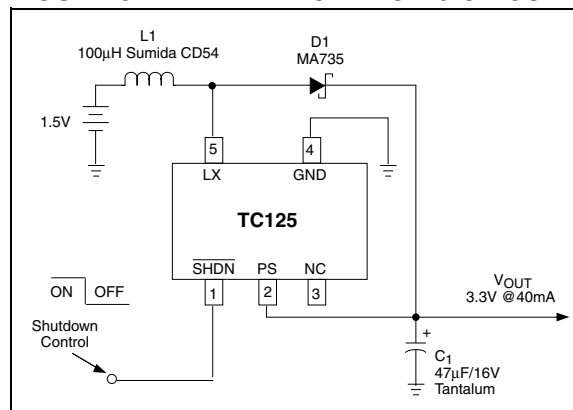
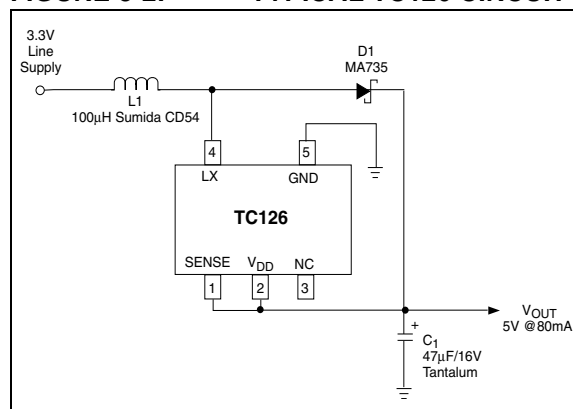


FIGURE 3-2: TYPICAL TC126 CIRCUIT



4.0 APPLICATIONS

4.1 Input Bypass Capacitors

Adding an input bypass capacitor reduces peak current transients drawn from the input supply and reduces the switching noise generated by the regulator. The source impedance of the input supply determines the size of the capacitor that should be used.

4.2 Inductor Selection

Selecting the proper inductor value is a trade-off between physical size and power conversion requirements. Lower value inductors cost less, but result in higher ripple current and core losses. They are also more prone to saturate since the coil current ramps to a higher value. Larger inductor values reduce both ripple current and core losses, but are larger in physical size and tend to increase the start-up time slightly. The recommended inductor value for use with the TC125/126 is 100 μ H. Inductors with a ferrite core (or equivalent) are recommended. For highest efficiency, use an inductor with a series resistance less than 20m Ω .

4.3 Internal Transistor Switch Current Limiting

The peak switch current is equal to the input voltage divided by the RDS_{ON} of the internal switch. The internal transistor has absolute maximum current rating of 400mA with a design limit of 350mA. A built-in oscillator frequency doubling circuit guards against high switching currents. Should the voltage on the LX pin rise above 1.1V, max while the internal N-channel switch is ON, the oscillator frequency automatically doubles to minimize ON time. Although reduced, switch current still flows because the regulator remains in operation. Therefore, the LX input is not internally current limited and care must be taken never to exceed the 350mA maximum limit. Failure to observe this will result in damage to the regulator.

4.4 Output Diode

For best results, use a Schottky diode such as the MA735, 1N5817, MBR0520L or equivalent. Connect the diode between the PS and LX pins (TC125) or SENSE and LX pins (TC126) as close to the IC as possible. (Do not use ordinary rectifier diodes since the higher threshold voltages reduce efficiency.)

4.5 Output Capacitor

The effective series resistance of the output capacitor directly affects the amplitude of the output voltage ripple. (The product of the peak inductor current and the ESR determines output ripple amplitude.) Therefore, a capacitor with the lowest possible ESR should be selected. Smaller capacitors are acceptable for light loads or in applications where ripple is not a concern. The Sprague 595D series of tantalum capacitors are among the smallest of all low ESR surface mount capacitors available. Table 4-1 lists suggested components and suppliers.

4.6 Board Layout Guidelines

As with all inductive switching regulators, the TC125/126 generate fast switching waveforms that radiate noise. Interconnecting lead lengths should be minimized to keep stray capacitance, trace resistance, and radiated noise as low as possible. In addition, the GND pin, input bypass capacitor, and output filter capacitor ground leads should be connected to a single point. The input capacitor should be placed as close to power and ground pins of the TC125/126 as possible.

TABLE 4-1: SUGGESTED COMPONENTS AND SUPPLIERS

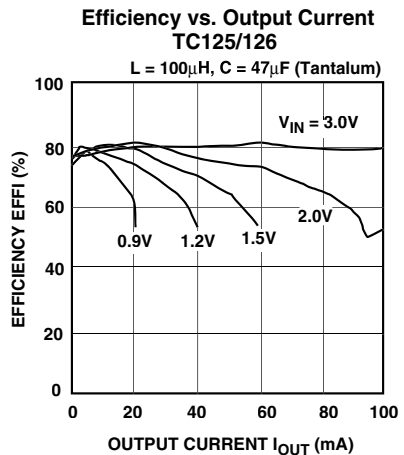
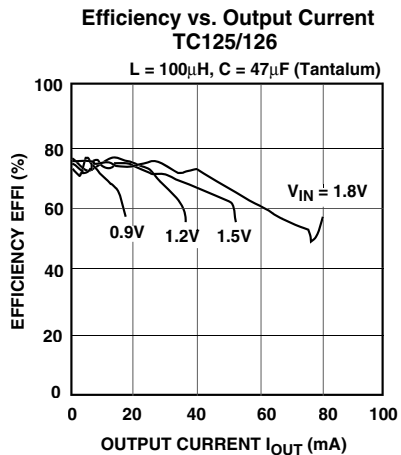
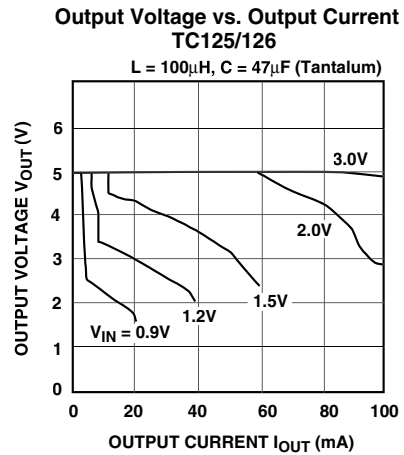
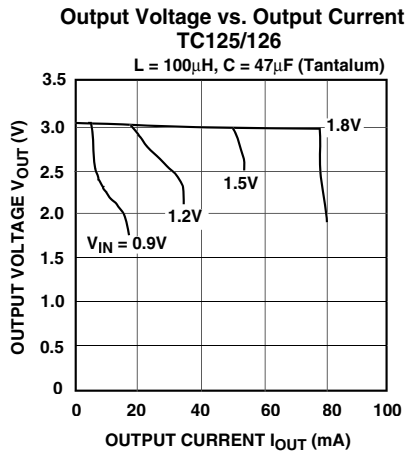
Type	Inductors	Capacitors	Diodes
Surface Mount	Sumida CD54 Series CDR125 Series Coiltronics CTX Series Murata LQN6C Series	Matsuo 267 Series Murata GRM200 Series Sprague 595D Series Nichicon F93 Series	Nihon EC10 Series Matsushita MA735 Series
Through-Hole	Sumida RCH855 Series RCH110 Series Renco RL1284-12	Sanyo OS-CON Series Nichicon PL Series	ON Semiconductor 1N5817 - 1N5822

TC125/TC126

5.0 TYPICAL CHARACTERISTICS

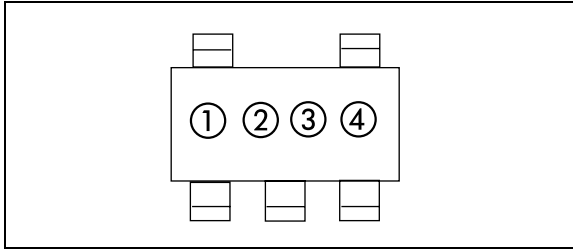
(Unless Otherwise Specified, All Parts Are Measured At Temperature = 25°C)

Note: The graphs and tables provided following this note are a statistical summary based on a limited number of samples and are provided for informational purposes only. The performance characteristics listed herein are not tested or guaranteed. In some graphs or tables, the data presented may be outside the specified operating range (e.g., outside specified power supply range) and therefore outside the warranted range.



6.0 PACKAGING INFORMATION

6.1 Package Marking Information



① represents product classification; TC125 = L
TC126 = N

② represents first integer of voltage

Symbol (100kHz)	Voltage
1	1
2	2
3	3
4	4
5	5
6	6
7	7

③ represents first decimal of voltage

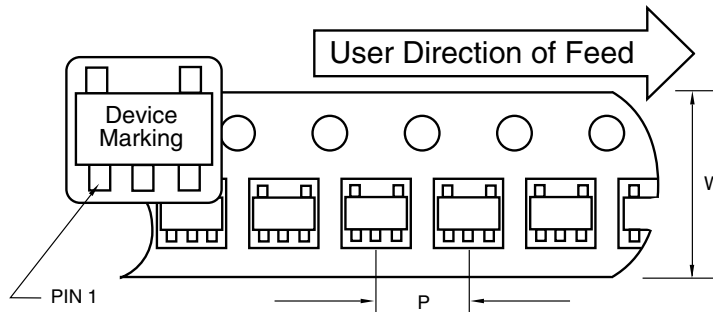
Symbol (100kHz)	Voltage
0	.0
1	.1
2	.2
3	.3
4	.4
5	.5
6	.6
7	.7
8	.8
9	.9

④ represents production lot ID code

TC125/TC126

6.2 Taping Form

Component Taping Orientation for 5-Pin SOT-23A (EIAJ SC-74A) Devices



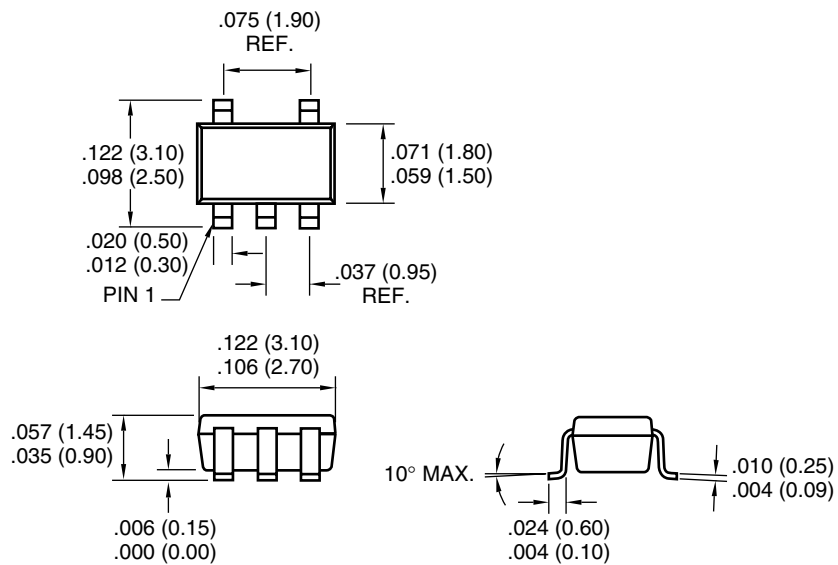
Standard Reel Component Orientation
 TR Suffix Device
 (Mark Right Side Up)

Carrier Tape, Number of Components Per Reel and Reel Size

Package	Carrier Width (W)	Pitch (P)	Part Per Full Reel	Reel Size
5-Pin SOT-23A	8 mm	4 mm	3000	7 in

6.3 Package Dimensions

SOT-23A-5



Dimensions: inches (mm)

Sales and Support

Data Sheets

Products supported by a preliminary Data Sheet may have an errata sheet describing minor operational differences and recommended workarounds. To determine if an errata sheet exists for a particular device, please contact one of the following:

1. Your local Microchip sales office
2. The Microchip Corporate Literature Center U.S. FAX: (480) 792-7277
3. The Microchip Worldwide Site (www.microchip.com)

Please specify which device, revision of silicon and Data Sheet (include Literature #) you are using.

New Customer Notification System

Register on our web site (www.microchip.com/cn) to receive the most current information on our products.

TC125/TC126

NOTES:

Information contained in this publication regarding device applications and the like is intended through suggestion only and may be superseded by updates. It is your responsibility to ensure that your application meets with your specifications. No representation or warranty is given and no liability is assumed by Microchip Technology Incorporated with respect to the accuracy or use of such information, or infringement of patents or other intellectual property rights arising from such use or otherwise. Use of Microchip's products as critical components in life support systems is not authorized except with express written approval by Microchip. No licenses are conveyed, implicitly or otherwise, under any intellectual property rights.

Trademarks

The Microchip name and logo, the Microchip logo, FilterLab, KEELOQ, microID, MPLAB, PIC, PICmicro, PICMASTER, PICSTART, PRO MATE, SEEVAL and The Embedded Control Solutions Company are registered trademarks of Microchip Technology Incorporated in the U.S.A. and other countries.

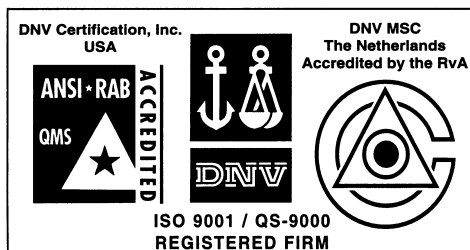
dsPIC, ECONOMONITOR, FanSense, FlexROM, fuzzyLAB, In-Circuit Serial Programming, ICSP, ICEPIC, microPort, Migratable Memory, MPASM, MPLIB, MPLINK, MPSIM, MXDEV, MXLAB, PICC, PICDEM, PICDEM.net, rPIC, Select Mode and Total Endurance are trademarks of Microchip Technology Incorporated in the U.S.A.

Serialized Quick Turn Programming (SQTP) is a service mark of Microchip Technology Incorporated in the U.S.A.

All other trademarks mentioned herein are property of their respective companies.

© 2002, Microchip Technology Incorporated, Printed in the U.S.A., All Rights Reserved.

 Printed on recycled paper.



Microchip received QS-9000 quality system certification for its worldwide headquarters, design and wafer fabrication facilities in Chandler and Tempe, Arizona in July 1999 and Mountain View, California in March 2002. The Company's quality system processes and procedures are QS-9000 compliant for its PICmicro® 8-bit MCUs, KEELOQ® code hopping devices, Serial EEPROMs, microperipherals, non-volatile memory and analog products. In addition, Microchip's quality system for the design and manufacture of development systems is ISO 9001 certified.



MICROCHIP

WORLDWIDE SALES AND SERVICE

AMERICAS

Corporate Office

2355 West Chandler Blvd.
Chandler, AZ 85224-6199
Tel: 480-792-7200 Fax: 480-792-7277
Technical Support: 480-792-7627
Web Address: <http://www.microchip.com>

Rocky Mountain

2355 West Chandler Blvd.
Chandler, AZ 85224-6199
Tel: 480-792-7966 Fax: 480-792-7456

Atlanta

500 Sugar Mill Road, Suite 200B
Atlanta, GA 30350
Tel: 770-640-0034 Fax: 770-640-0307

Boston

2 Lan Drive, Suite 120
Westford, MA 01886
Tel: 978-692-3848 Fax: 978-692-3821

Chicago

333 Pierce Road, Suite 180
Itasca, IL 60143
Tel: 630-285-0071 Fax: 630-285-0075

Dallas

4570 Westgrove Drive, Suite 160
Addison, TX 75001
Tel: 972-818-7423 Fax: 972-818-2924

Detroit

Tri-Atria Office Building
32255 Northwestern Highway, Suite 190
Farmington Hills, MI 48334
Tel: 248-538-2250 Fax: 248-538-2260

Kokomo

2767 S. Albright Road
Kokomo, Indiana 46902
Tel: 765-864-8360 Fax: 765-864-8387

Los Angeles

18201 Von Karman, Suite 1090
Irvine, CA 92612
Tel: 949-263-1888 Fax: 949-263-1338

New York

150 Motor Parkway, Suite 202
Hauppauge, NY 11788
Tel: 631-273-5305 Fax: 631-273-5335

San Jose

Microchip Technology Inc.
2107 North First Street, Suite 590
San Jose, CA 95131
Tel: 408-436-7950 Fax: 408-436-7955

Toronto

6285 Northam Drive, Suite 108
Mississauga, Ontario L4V 1X5, Canada
Tel: 905-673-0699 Fax: 905-673-6509

ASIA/PACIFIC

Australia

Microchip Technology Australia Pty Ltd
Suite 22, 41 Rawson Street
Epping 2121, NSW
Australia
Tel: 61-2-9868-6733 Fax: 61-2-9868-6755

China - Beijing

Microchip Technology Consulting (Shanghai)
Co., Ltd., Beijing Liaison Office
Unit 915
Bei Hai Wan Tai Bldg.
No. 6 Chaoyangmen Beidajie
Beijing, 100027, No. China
Tel: 86-10-85282100 Fax: 86-10-85282104

China - Chengdu

Microchip Technology Consulting (Shanghai)
Co., Ltd., Chengdu Liaison Office
Rm. 2401, 24th Floor,
Ming Xing Financial Tower
No. 88 TIDU Street
Chengdu 610016, China
Tel: 86-28-86766200 Fax: 86-28-86766599

China - Fuzhou

Microchip Technology Consulting (Shanghai)
Co., Ltd., Fuzhou Liaison Office
Unit 28F, World Trade Plaza
No. 71 Wusi Road
Fuzhou 350001, China
Tel: 86-591-7503506 Fax: 86-591-7503521

China - Shanghai

Microchip Technology Consulting (Shanghai)
Co., Ltd.
Room 701, Bldg. B
Far East International Plaza
No. 317 Xian Xia Road
Shanghai, 200051
Tel: 86-21-6275-5700 Fax: 86-21-6275-5060

China - Shenzhen

Microchip Technology Consulting (Shanghai)
Co., Ltd., Shenzhen Liaison Office
Rm. 1315, 13/F, Shenzhen Kerry Centre,
Renminnan Lu
Shenzhen 518001, China
Tel: 86-755-2350361 Fax: 86-755-2366086

China - Hong Kong SAR

Microchip Technology Hongkong Ltd.
Unit 901-6, Tower 2, Metroplaza
223 Hing Fong Road
Kwai Fong, N.T., Hong Kong
Tel: 852-2401-1200 Fax: 852-2401-3431

India

Microchip Technology Inc.
India Liaison Office
Divyasree Chambers
1 Floor, Wing A (A3/A4)
No. 11, O'Shaugnessey Road
Bangalore, 560 025, India
Tel: 91-80-2290061 Fax: 91-80-2290062

Japan

Microchip Technology Japan K.K.
Benex S-1 6F
3-18-20, Shinyokohama
Kohoku-Ku, Yokohama-shi
Kanagawa, 222-0033, Japan
Tel: 81-45-471-6166 Fax: 81-45-471-6122

Korea

Microchip Technology Korea
168-1, Youngbo Bldg. 3 Floor
Samsung-Dong, Kangnam-Ku
Seoul, Korea 135-882
Tel: 82-2-554-7200 Fax: 82-2-558-5934

Singapore

Microchip Technology Singapore Pte Ltd.
200 Middle Road
#07-02 Prime Centre
Singapore, 188980
Tel: 65-6334-8870 Fax: 65-6334-8850

Taiwan

Microchip Technology Taiwan
11F-3, No. 207
Tung Hua North Road
Taipei, 105, Taiwan
Tel: 886-2-2717-7175 Fax: 886-2-2545-0139

EUROPE

Denmark

Microchip Technology Nordic ApS
Regus Business Centre
Lautrup høj 1-3
Ballerup DK-2750 Denmark
Tel: 45 4420 9895 Fax: 45 4420 9910

France

Microchip Technology SARL
Parc d'Activite du Moulin de Massy
43 Rue du Saule Trapu
Batiment A - 1er Etage
91300 Massy, France
Tel: 33-1-69-53-63-20 Fax: 33-1-69-30-90-79

Germany

Microchip Technology GmbH
Gustav-Heinemann Ring 125
D-81739 Munich, Germany
Tel: 49-89-627-144 0 Fax: 49-89-627-144-44

Italy

Microchip Technology SRL
Centro Direzionale Colleoni
Palazzo Taurus 1 V. Le Colleoni 1
20041 Agrate Brianza
Milan, Italy
Tel: 39-039-65791-1 Fax: 39-039-6899883

United Kingdom

Microchip Ltd.
505 Eskdale Road
Winnersh Triangle
Wokingham
Berkshire, England RG41 5TU
Tel: 44 118 921 5869 Fax: 44-118 921-5820

05/01/02