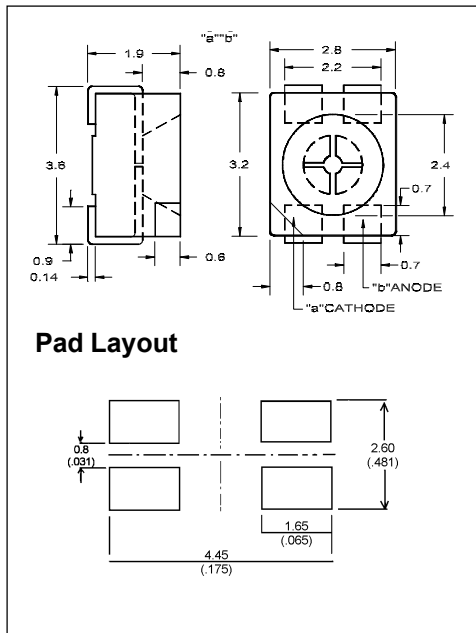


Bi-Color Surface Mount LED Lamps

FEATURES

- Excellent on/off contrasts
- Superbright Red and High Intensity Green
- High Light Output
- Reliable and Rugged
- IC Compatible



MAXIMUM RATINGS (Ta = 25°C)

PART NO.	FORWARD CURRENT (I _F) (mA)	REVERSE VOLTAGE (V _R) (V)	POWER DISSIPATION (P _D) (mW)	OPERATING TEMPERATURE (T _{op,r}) (°C)	STORAGE TEMPERATURE (T _{stg}) (°C)
MTSM635KM-URUG*	30	5.0	85	-25~+85	-25~+100
MTSM635K-HRG	30	5.0	85	-25~+85	-25~+100

* URUG pin out: reversed polarity

OPTO-ELECTRICAL CHARACTERISTICS (Ta = 25°C)

PART NO.	MATERIAL	LENS COLOR	VIEWING ANGLE typ.	LUMINOUS INTENSITY (mcd)		FORWARD VOLTAGE (V)			REVERSE CURRENT		PEAK WAVE LENGTH	
				typ.	@mA	typ.	max.	@mA	µA	Vr	nm	
MTSM635KM-URUG	(UR)	GaAlAs	Water Clear	120°	30.0	20	1.9	2.5	20	100	5	660
	(UG)	GaP	Water Clear	120°	30.0	20	2.1	3.0	20	100	5	567
MTSM635K-HRG	(HR)	GaAsP/GaP	Water Clear	120°	20.0	20	2.1	3.0	20	100	5	635
	(G)	GaP	Water Clear	120°	18.0	20	2.1	3.0	20	100	5	567