



POSEICO SPA
Power SEmiconductors Italian Corporation

POSEICO SPA
Via N. Lorenzi 8, 16152 Genova - ITALY
Tel. +39 010 6556234 - Fax +39 010 6557519
Sales Office:
Tel. +39 010 6556775 - Fax +39 010 6442510

FAST RECOVERY DIODE

ARF794HT

FOR IGBT, IEGT, GCT APPLICATIONS
SNUBBERLESS OPERATION
LOW LOSSES SOFT RECOVERY

Repetitive voltage up to
Mean forward current
Surge current

6000 V
1060 A
20 kA

TARGET SPECIFICATION

mar 03 - ISSUE : 2

Symbol	Characteristic	Conditions	T _j [°C]	Value	Unit
BLOCKING					
V _{RRM}	Repetitive peak reverse voltage		125	6000	V
V _{RSM}	Non-repetitive peak reverse voltage		125	6100	V
I _{RRM}	Repetitive peak reverse current	V=VRRM	125		mA
V _{DC LINK}	Permanent DC voltage		125	3200	V
CONDUCTING					
I _{F(AV)}	Mean forward current	180° sin ,50 Hz, Th=55°C, double side cooled		1060	A
I _{F(AV)}	Mean forward current	180° square, 50 Hz, Th=55°C, double side cooled		1110	A
I _{FSM}	Surge forward current	Sine wave, 10 ms	125	20	kA
I ² t	I ² t	reapplied reverse voltage up to 50% VRSM		2000 x1E3	A ² s
V _{FM}	Forward voltage	Forward current = 1570 A	25	5.6	V
V _{F(TO)}	Threshold voltage		125	2.10	V
r _F	Forward slope resistance		125	1.40	mohm
SWITCHING					
Q _{rr}	Reverse recovery charge	I _F = 1000 A di/dt= 250 A/μs VR = 100 V	125		μC
I _{rr}	Peak reverse recovery current		125		A
t _{rr}	Reverse recovery time	I _F = 1000 A			μs
Q _{rr}	Reverse recovery charge	di/dt= 500 A/μs VR = V	125	4000	μC
I _{rr}	Peak reverse recovery current		125	1600	A
s	Softness (s-factor), min				
E _{OFF}	Turn off energy dissipation				J
V _{FR}	Peak forward recovery	di/dt= 500 A/μs	125		V
MOUNTING					
R _{th(j-h)}	Thermal impedance	Junction to heatsink, double side cooled		11	°C/kW
R _{th(c-h)}	Thermal impedance	Case to heatsink, double side cooled		2	°C/kW
T _j	Operating junction temperature			-30 / 125	°C
F	Mounting force			46.0 / 54.0	kN
	Mass			1700	g

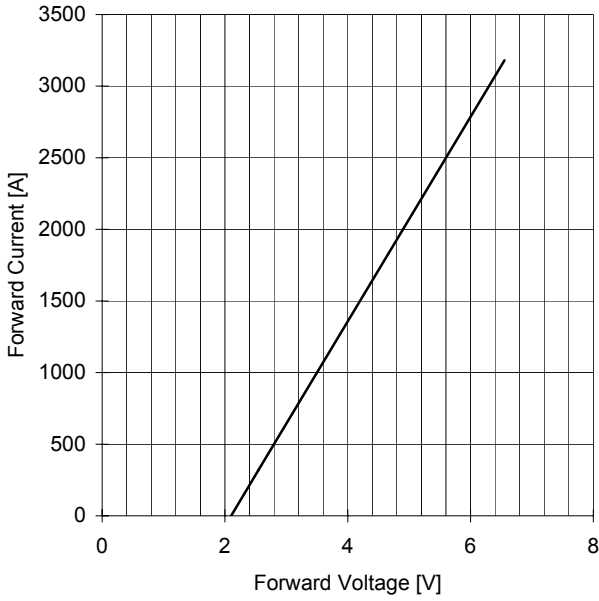
ORDERING INFORMATION : ARF794HT S 60

standard specification VRRM/100

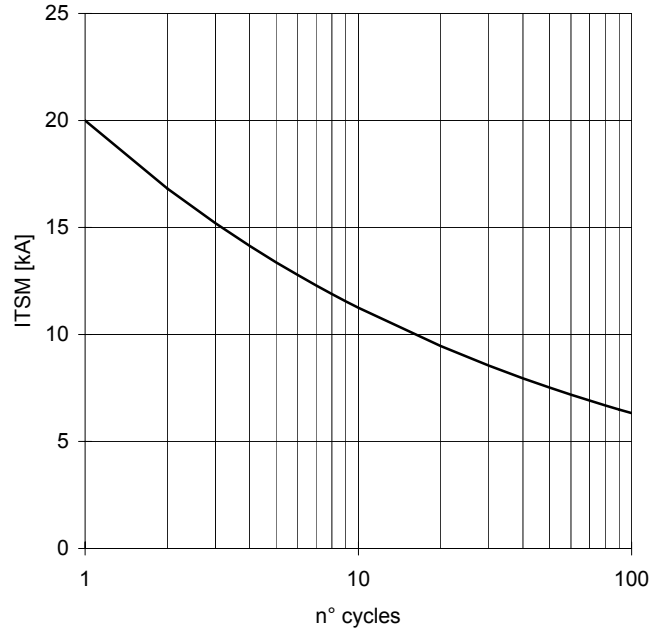
ARF794HT FAST RECOVERY DIODE

TARGET SPECIFICATION mar 03 - ISSUE : 2

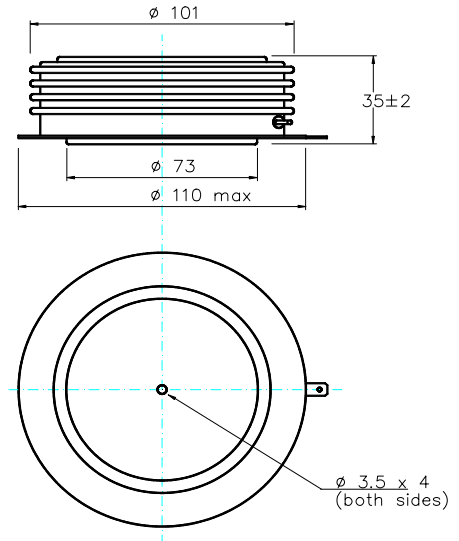
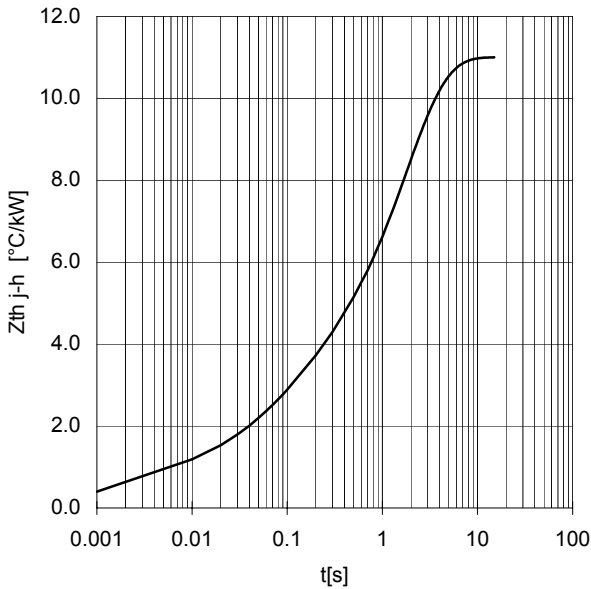
FORWARD CHARACTERISTIC
 $T_j = 125\text{ }^\circ\text{C}$



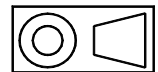
SURGE CHARACTERISTIC
 $T_j = 125\text{ }^\circ\text{C}$



TRANSIENT THERMAL IMPEDANCE
DOUBLE SIDE COOLED



Dimensions in mm



All the characteristics given in this data sheet are guaranteed only with uniform clamping force, cleaned and lubricated heatsink, surfaces with flatness < .03 mm and roughness < 2 μm .
In the interest of product improvement POSEICO SpA reserves the right to change any data given in this data sheet at any time without previous notice.
If not stated otherwise the maximum value of ratings (symbols over shaded background) and characteristics is reported.

Distributed by

