



### Model name

# ZUP 10-20

Series

Output voltage  
(0 ~ 10V)

Output current  
(0 ~ 20A)

### Features

- Programmable power supply  
Constant voltage/Constant current
- Built-in RS232 & RS485 interface  
GP-IB interface: Option
- External voltage or resistor programming
- Last setting memory with safe restart or automatic restart modes
- Input current harmonics: EN61000-3-2 Class A

### Specifications

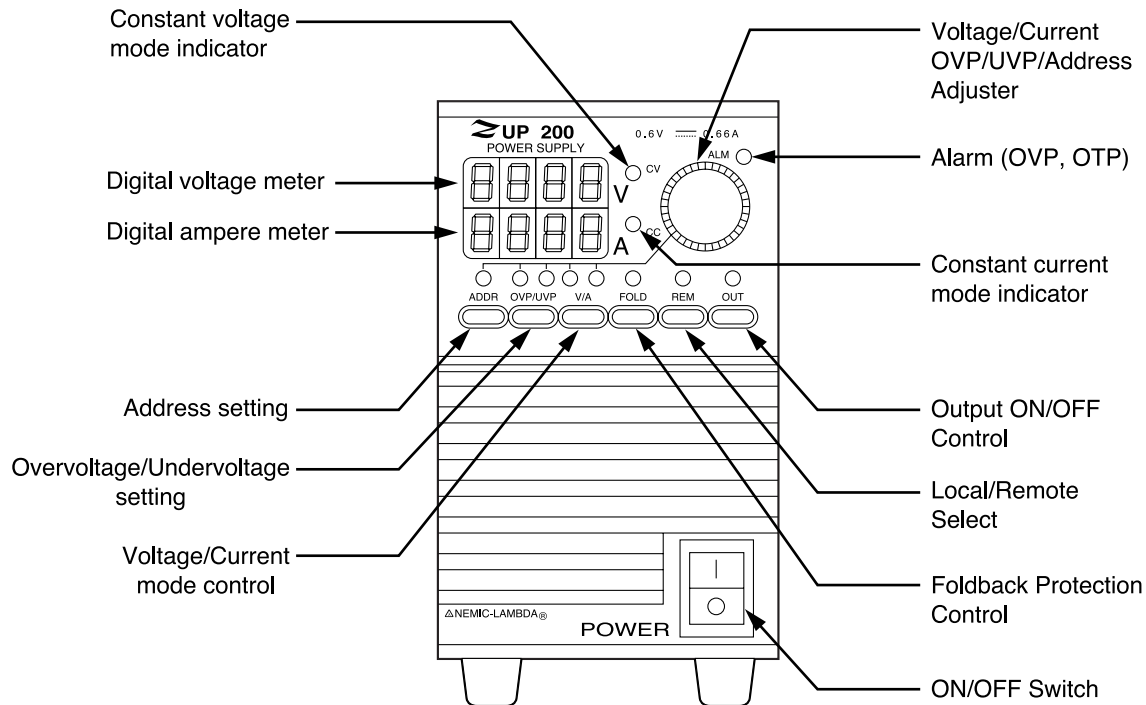
Input	
1. Input voltage range	85 ~ 265VAC (47 ~ 63Hz) universal input voltage
2. Input current harmonics	Complies with EN61000-3-2 Class A.
3. Power factor (typ)	0.99 at 100VAC, 100% load
Output	
1. Constant voltage	Load Regulation: 0.005% +2mV, Line Regulation: 0.005% +1mV RMS ripple: 5mV (5Hz ~ 1MHz bandwidth) Ripple :50mV(pk to pk) (20MHz bandwidth)
2. Constant current	Load Regulation: 0.01% +5mA, Line Regulation: 0.01% +2mA
3. Output protections	Over voltage, Over temperature, Over current
Environment	
1. Operating temperature	0 ~ +50°C: 100% load
External functions	
1. Output ON/OFF	By TTL signal or Dry contact
2. Output voltage programming	By voltage (0 ~ 4V) or by Resistance (0 ~ 4kΩ)
3. Output current programming	By voltage (0 ~ 4V) or by Resistance (0 ~ 4kΩ)
4. Remote sensing	Maximum 0.5V drop on each load wires
5. Communication interface	RS232 and RS485 built-in, IEEE488 option
Approval	
1. Safety standard	UL3111-1, EN61010-1
2. EMC standard	EN61326-1, IEC61326-1 FCC part 15 class A

### Product lineup

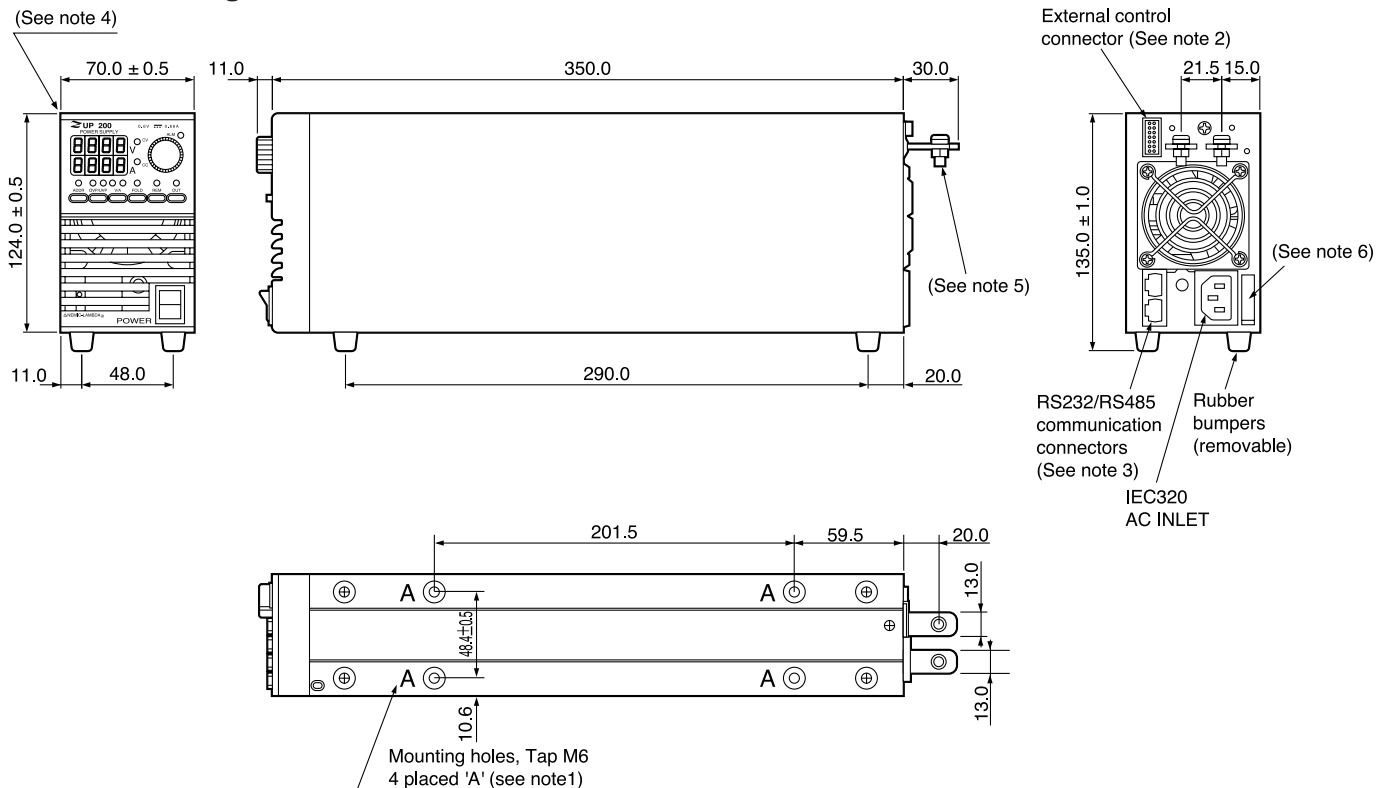
Model name	Output voltage	Output current	Output power	Weight
ZUP6	ZUP6-33	0 ~ 33A	198W	2.9kg
	ZUP6-66	0 ~ 66A	396W	3.2kg
	ZUP6-132 (*)	0 ~ 132A	792W	5.8kg
ZUP10	ZUP10-20	0 ~ 20A	200W	2.9kg
	ZUP10-40	0 ~ 40A	400W	3.2kg
	ZUP10-80 (*)	0 ~ 80A	800W	5.8kg
ZUP20	ZUP20-10	0 ~ 10A	200W	2.9kg
	ZUP20-20	0 ~ 20A	400W	3.2kg
	ZUP20-40 (*)	0 ~ 40A	800W	5.8kg
ZUP36	ZUP36-6	0 ~ 6A	216W	2.9kg
	ZUP36-12	0 ~ 12A	432W	3.2kg
	ZUP36-24 (*)	0 ~ 24A	864W	5.8kg
ZUP60	ZUP60-3.5	0 ~ 3.5A	210W	2.9kg
	ZUP60-7	0 ~ 7A	420W	3.2kg
	ZUP60-14 (*)	0 ~ 14A	840W	5.8kg
ZUP80	ZUP80-2.5	0 ~ 2.5A	200W	2.9kg
	ZUP80-5	0 ~ 5A	400W	3.2kg
ZUP120	ZUP120-1.8	0 ~ 1.8A	216W	2.9kg
	ZUP120-3.6	0 ~ 3.6A	432W	3.2kg

(\*) Contact us about delivery before ordering.

### ■ Front panel



### ■ Outline drawing



(Unit: mm)

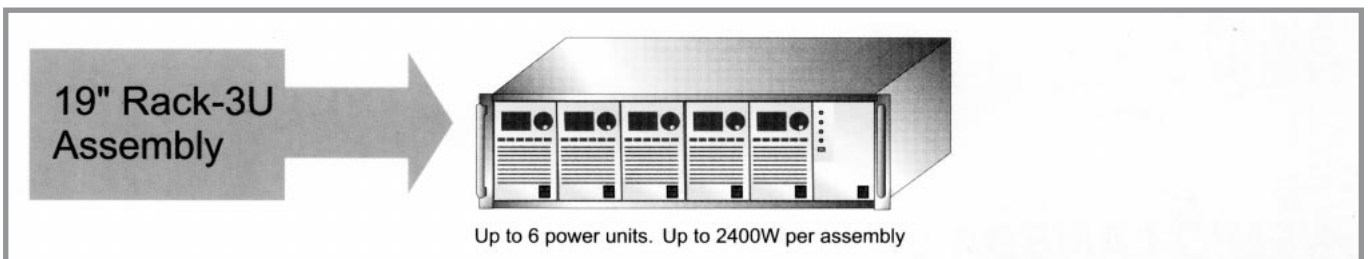
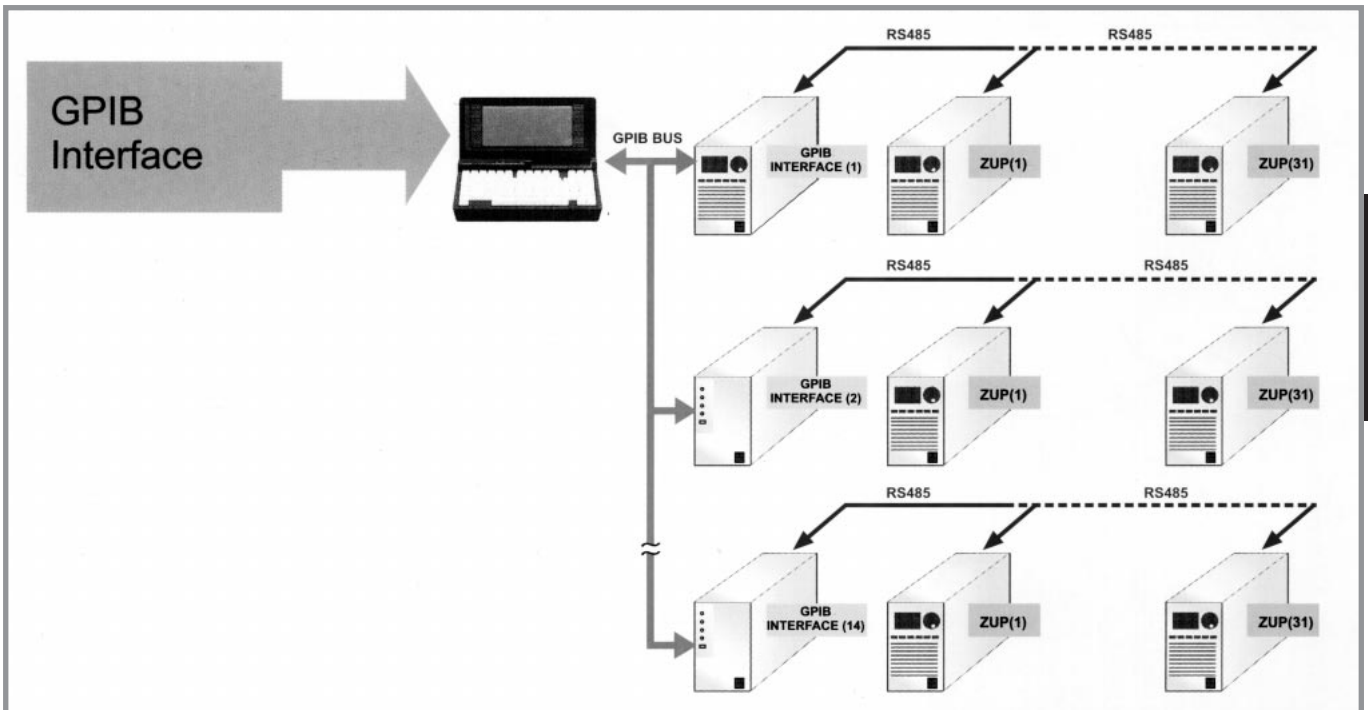
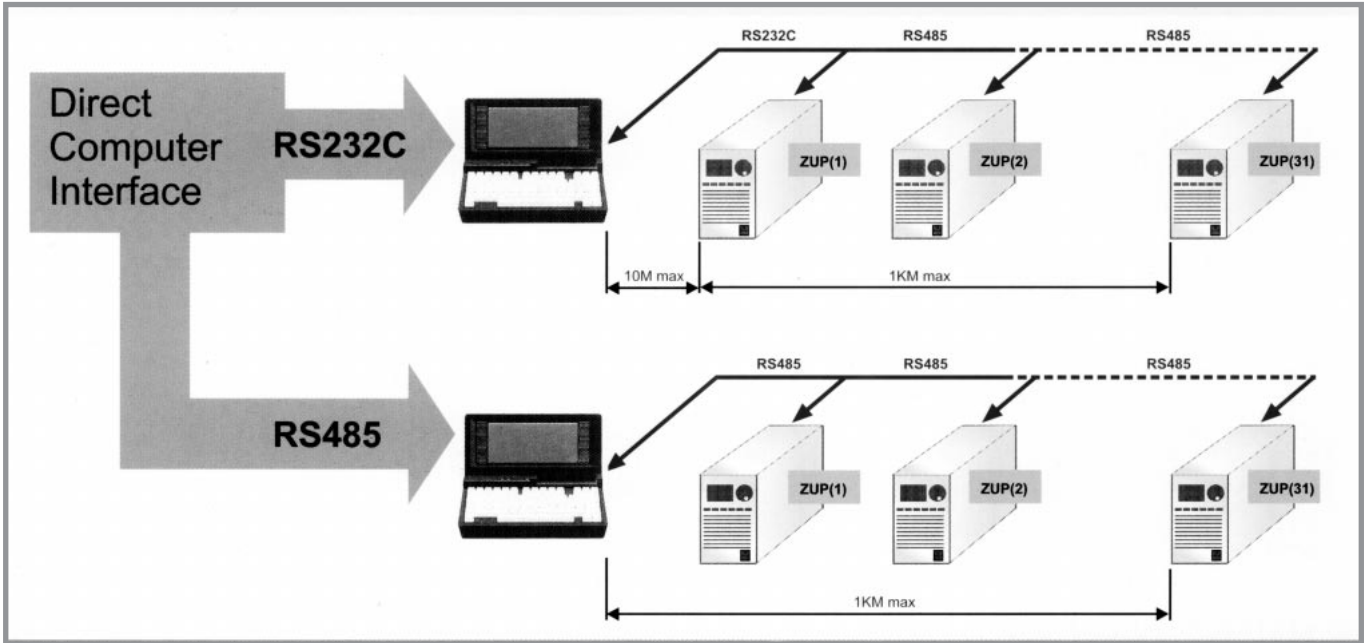
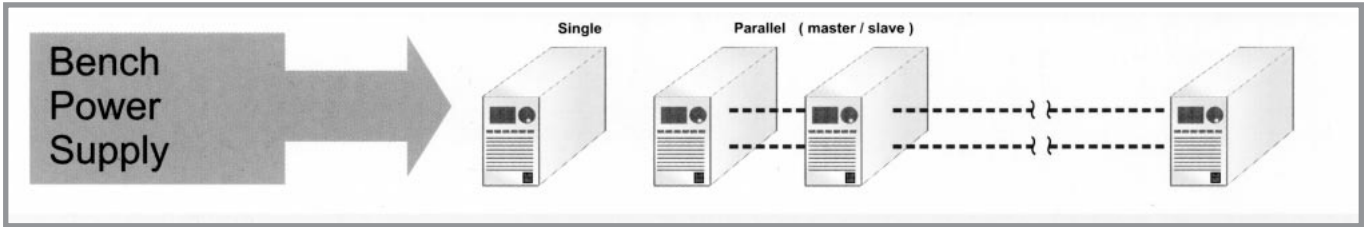
#### Notes:

1. Mounting screws must not protrude into the power supply more than 6mm.
2. External control connector  
Connector: AMP, P/N 102617-5  
Receptacle: AMP, P/N 87631-9  
Receptacle contacts: AMP, P/N 87523-5(strip form)  
P/N 87523-6(loose piece)  
Wire AWG: 24 to 20  
Hand tool for wires connection: AMP, P/N: 90202-2

3. RS232/RS485 communication EIA/EIA-568A, shielded, 8 contacts connectors
4. Model name and output rating are shown here according to the specifications.
5. M6 or M4 screws for load wires connection.
6. Input voltage and current rating are shown here according to the specifications.

# ZUP-SERIES

Zero-up CV/CC 200 ~ 800W



System Power Supply